



MERCER VI

72" x 36" Skirted Acrylic Combo Bath Illumination Package

Silent Pump w/ built-in heater &
Mood Light Included

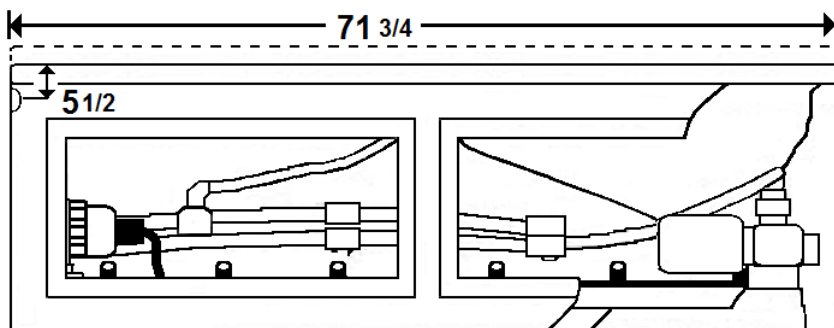
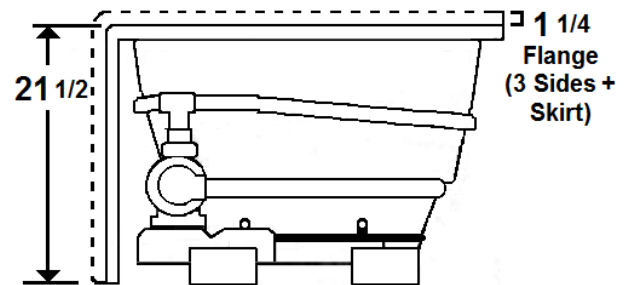
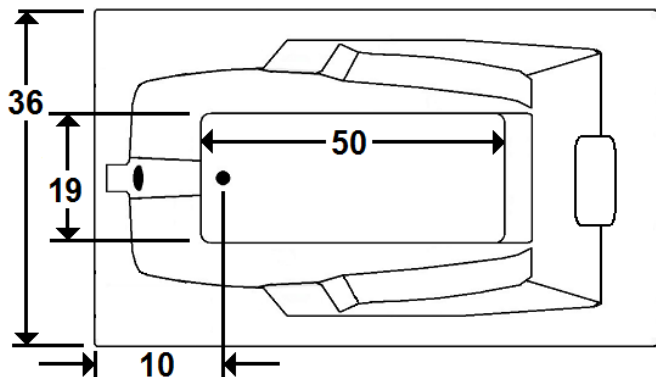
Model Number
3672MCSRS-WH
3672MCSLS-WH
RH & LH Drain White Combo
3672MCSRS-BI
3672MCSLS-BI
RH & LH Drain Biscuit Combo

Features

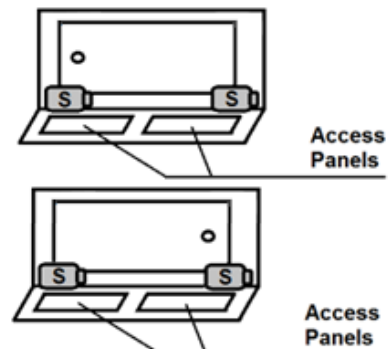
- Constructed of high-gloss durable acrylic
- Silent Pump with built-in heater included
- 10 Self draining, adjustable hydrotherapy jets
- Color-matched jet trim and air controls
- Chromatherapy mood light included
- 12 Amp variable speed blower
- 20+ high output lateral air injectors
- Pre-leveled base for easy installation
- Made in the USA



All dimensions are +/- 1/2" and subject to change without notice
Confirm specifications before installation



Standard (S) Silent Pump w/
Heater & Blower Location



Technical Information

- Weight: 175 lbs.
- Water Depth to Overflow: 15 1/4"
- Water Operating Level: 51 gal.
- Water Capacity: 71 gal.
- Sump Dimension: 50" x 19"

Electrical Requirements

- Silent Pump: 11 Amps
- Standard Blower: 12 Amps
- Chromatherapy Mood Light: 0.6 Amps
- 2 Dedicated GFCI's required