

THE BEST BATH OR SHOWER EXPERIENCE? THE ONE NOBODY INTERRUPTS.

Thank you for buying an American Standard bath or shower product.

We're so grateful you did, and you will be too. Not just while you're waking up each morning, but also every time a dirty gardener, sweaty soccer player, or muddy dog gets cleaned up. How do we know? Just like you, we've lived with that same beautiful chaos called life for almost 150 years. We believe that while every home should appreciate in value, we never forget the sentimental value that grows from enjoying life in the heart of home—your kitchen and bath. That's why we love your stories and ideas; they help us innovate with products that make your life easier.

Or, visit americanstandard-us.com/bathroom/tub-and-shower-walls to watch video, view/download installation manuals or learn more about your product.

Have a question or need help on install?

For questions or help on installation call us at **800-442-1902**.

For a copy of our warranty in additional languages,
please visit Americanstandard.com

American Standard

OWNERS MANUAL

Elevate® 2-piece Wall Sets

2947SWT36 / 2947SWT38

INSTALLATION INSTRUCTIONS

Thank you for selecting American Standard – the benchmark of fine quality for over 150 years. To ensure this product is installed properly, please read these instructions carefully before you begin. Certain installations may require professional help.

INSTALLATION PREPARATION

- Please unpack carefully and identify all parts needed for installation by using the Box Contents as a reference. Inspect the product and report any damages or missing parts immediately to customer care by calling 800-442-1902. Follow the prompts for consumer/bathing products.

NOTE: Take extra care in handling the front surfaces of the walls. Use only non-abrasive cloths to avoid scratching.

- These Elevate Walls were developed to be installed with Elevate Tubs or Shower Bases and Elevate Doors. If you are using a different tub, base or door, you may need additional hardware and tools to complete the installation.
- Wear protective equipment during installation to avoid injury.
- Please keep these instructions for after care and customer service details.



BEFORE YOU BEGIN

Inspect your product thoroughly before installing. Take extra care in handling surfaces of the walls and use only non-abrasive cloths to avoid scratching. Observe all local plumbing and building codes.

RECOMMENDED TOOLS AND MATERIALS

Installation steps will indicate which tools should be used with associated letter



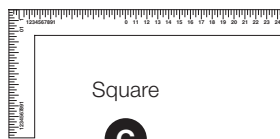
Level

A



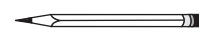
Tape Measure

B



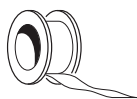
Square

C



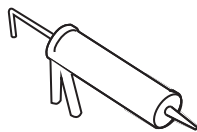
Pencil

D



Painter's
Masking Tape

E



Caulking Gun

F



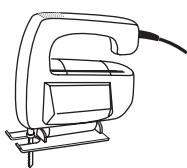
Hole Saw

G



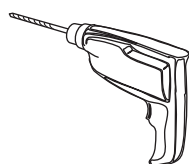
Safety
Equipment

H



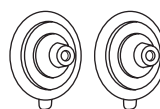
Jig Saw with fine
tooth blade

I



Drill

J



Suction Cups - optional

K

SOLD SEPARATELY

x3 Tubes Waterproof Instant
Grab Construction Adhesive
x2 Tubes Tub & Tile Sealant
**x1 4x8' x 7/16" thick OSB
Board**
x2 1"x3"x8'
GRK washer head screws,
approx. 7/16" diameter and
rated for outdoor use

INSTALLATION INSTRUCTIONS

IMPORTANT GENERAL INFORMATION

This unit is best installed by two people.

Cover drain with tape prior to installation to prevent the loss of small parts.

Unpack your unit carefully and inspect for freight damage. Lay out and identify all parts using Box Contents as a reference. Before discarding the carton check to see that no small hardware parts have fallen to the bottom of the box. If any parts are damaged or missing refer to the description noted in the instructions when inquiring about replacements. Be sure to wear safety glasses whenever drilling or cutting.

BOX CONTENTS

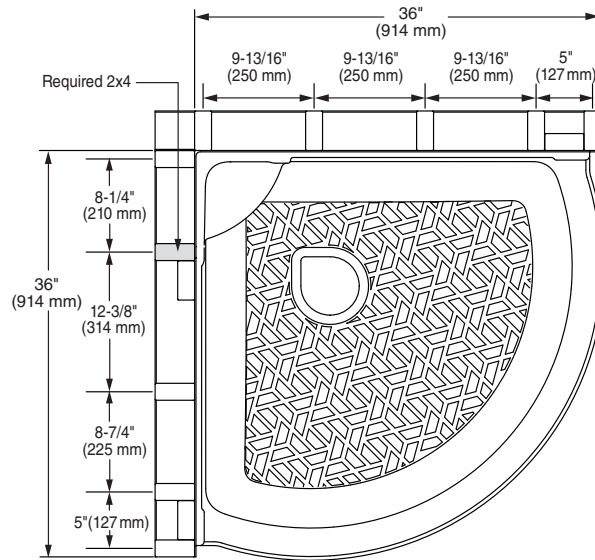
1 Left Side Panel

1 Right Side Panel

1 Extruded Wall Connector

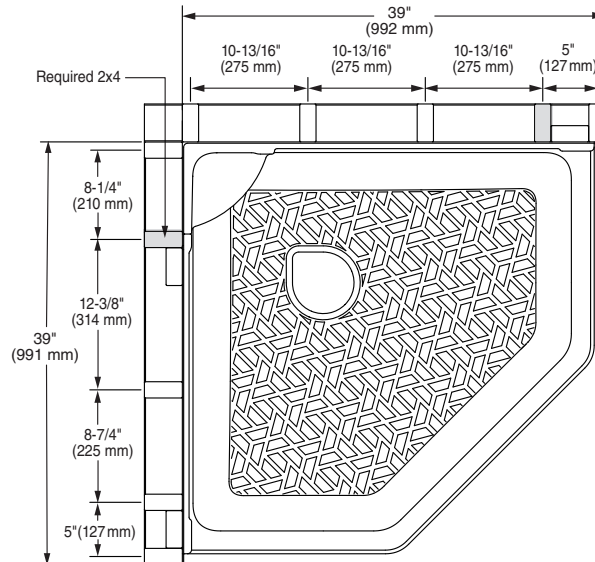
CORNER STUD INSTALLATION

NOTE: Shower walls must be installed over a combination of studs and OSB board.



Corner Stud Installation for 36" Shower Base

Refer to Corner Stud Installation illustration above for recommended 2x4 location. **Shaded 2x4's are required to be precisely located as shown.** Ensure all studs are level and plumb. Fir-out studding if necessary.



Corner Stud Installation for 38" Shower Base

Refer to Corner Stud Installation illustration above for recommended 2x4 location. **Shaded 2x4's are required to be precisely located as shown.** Ensure all studs are level and plumb. Fir-out studding if necessary.

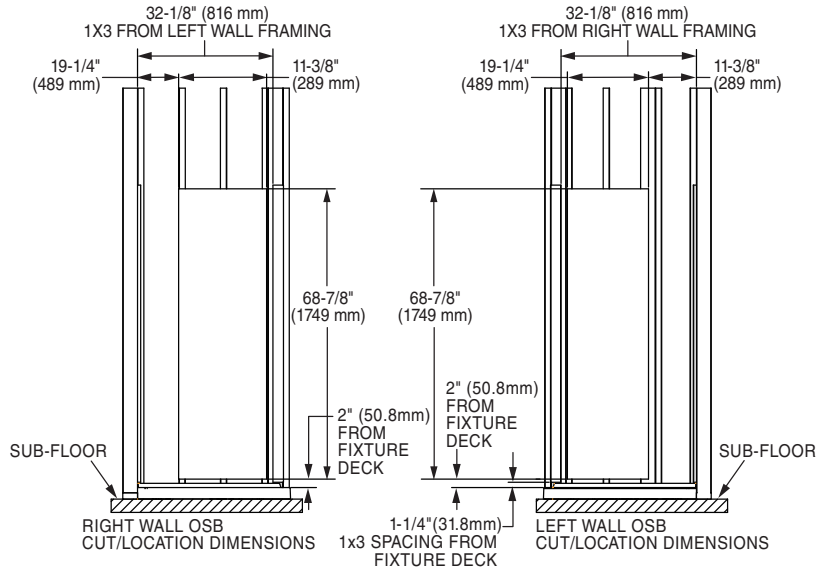
- 1a.** Fir-out studding if necessary before installing OSB board to provide correct corner opening for panels. Ensure corner is plumb and square.
- 1b.** The installation and positioning of additional studs to the corner area will be necessary to provide proper support for the installation of OSB Board and shower walls.

NOTE: Rough plumbing **MUST** be installed before walls.

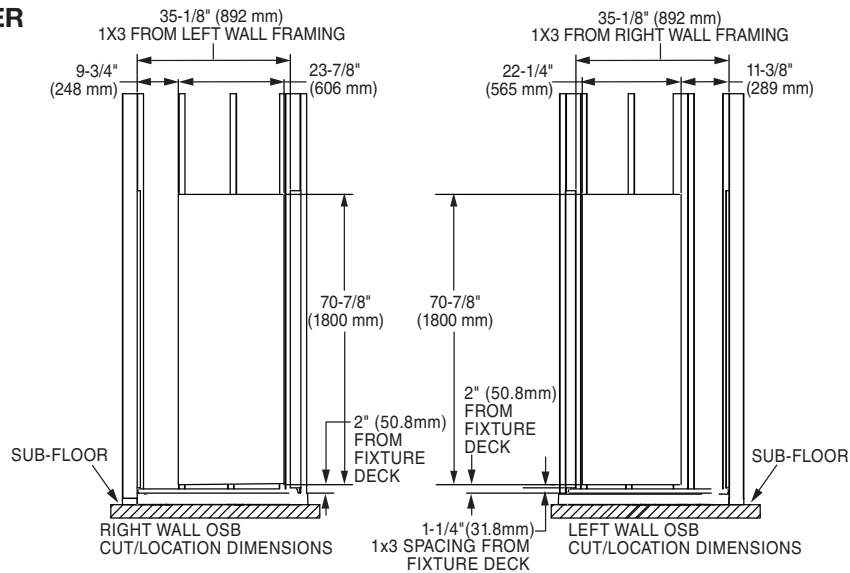
NOTE: If you plan to install a Shower Door, follow manufacturer's instructions and prepare stud wall accordingly.

OSB BOARD INSTALLATION

FOR 36" CORNER



FOR 38" CORNER

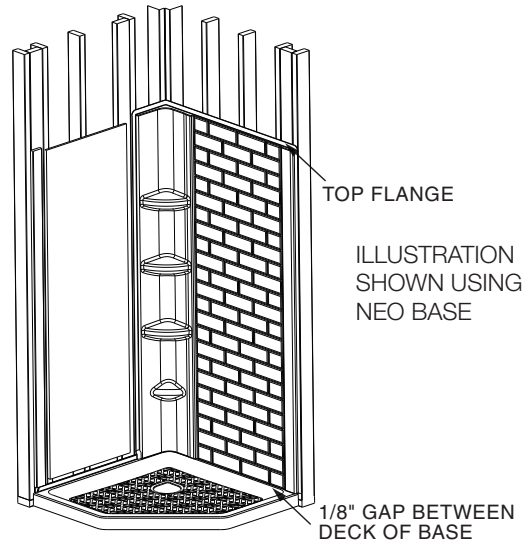
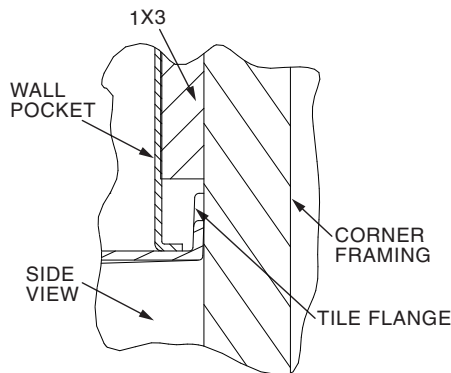


- 2a.** Cut and trim each piece of OSB board (Left and Right) according to the roughin above for the model installed. Mark and cut out clearance hole for rough plumbing. The OSB is used to provide additional support for the walls and provide an area to apply adhesive for the wall panels.
- 2b.** Place each piece of OSB board in position according to illustration, keeping it 2" above the shower base and attach into place using screws (self-drill construction screws are recommended, but standard wood screws can be used). **TIP:** Mark the location of the top and side of the OSB panels/door support on the studs to make positioning them easier. **NOTE:** Ensure screw heads are flat to the OSB surface and do not protrude.
- 2c.** If installing a shower door, provide additional support using a 1x3" keeping it 1-1/4" (31.8 mm) off the deck of the shower base and screw into corner framing. Chamfer outer edges if necessary. (ref. illustration)

OSB Wall Panels Only			
Model	Right Walls	Left Wall	1x3 Door Support, PINE, not OSB
2947SWT38	20-7/8" x 68-7/8" (530 x 1749 mm)	19-1/4" x 68-7/8" (489 x 1749 mm)	70-1/2" (1791 mm)
2947SWT38	23-7/8" x 70-7/8" (606 x 1800 mm)	22-1/4" x 70-7/8" (565 x 1800 mm)	72-1/2" (1842 mm)

3

DRY FITTING RIGHT WALL



- 3a.** Place Right Wall Panel (side with corner shelves) into position in the corner until it is correctly in place, fitting squarely on top of shower base with approximately a 1/8" gap. **TIP:** Can use paint mixing paddle as spacers for this. Check the vertical edges of the panel with a level that they are plumb.
- 3b.** Once correctly in position and plumb, drill 11/64" pilot holes in the top flange and use 1 or 2 screws to temporarily hold the Right Wall panel in place. **TIP:** After drilling a clearance hole through the wall flange, drill a pilot hole for the wood screw. This will prevent the screw from following wood grain and pulling the wall out of alignment. Leave the corner of the Right Wall Panel free floating for the next steps. Dry fit the second Left Wall Panel in the same manner.
- 3c.** Starting with the panel plumbed for fittings, mark all plumbing locations where shower valves come through the Panel. Place tape over the area to be drilled to protect panel surface finish and drill holes using a hole saw large enough to accommodate the opening but small enough to be covered by the trim plates.

4

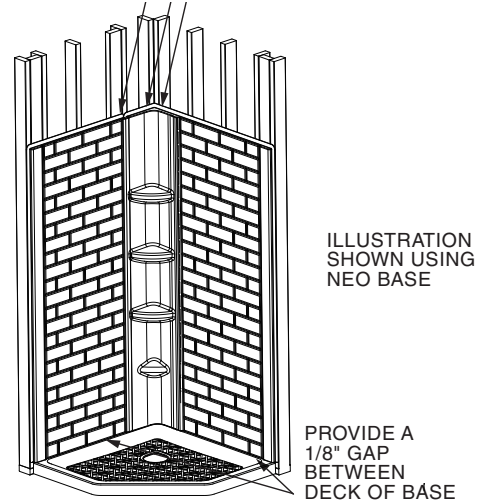
DRY FITTING LEFT WALL

NOTE: Long Extrusion will not be installed until after Final Dry fit.

- 4a.** Place Left Wall Panel into position of Right Wall Panel. Check that there is no gap between the Left and Right Panels. If there is a gap between the Left and Right Wall Panel, it will be necessary to re-adjust the Panel(s) to ensure a proper fit.

NOTE: Add shims behind panel flange if necessary to fill in any gaps or spaces. Prepare shims as needed for the Panel Walls to be used for final installation.

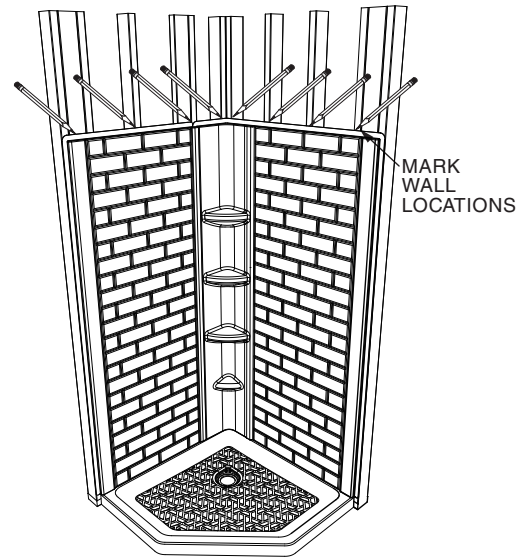
APPROXIMATE SHIM LOCATIONS



5

FINAL DRY FIT

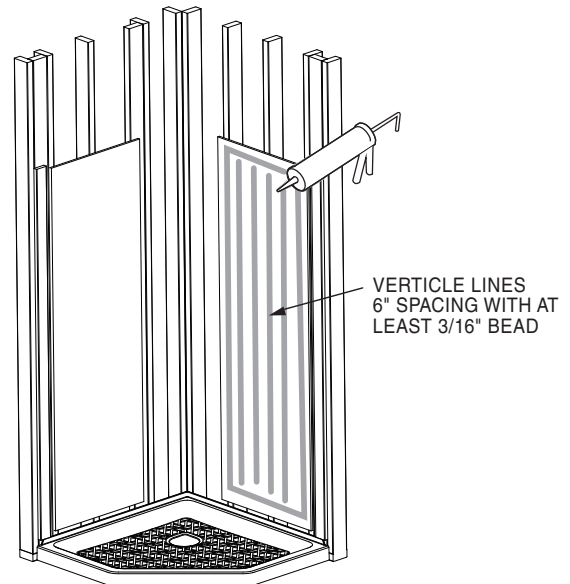
- 5a. Once the panels are dry fitted correctly in place with no gaps, secure the bottom of each side panel to the base with tape.
- 5b. Mark both Left and Right Wall Panel locations, so when the Panels are removed for the addition of adhesive on the OSB board, the panels can be returned back to the same locations.
- 5c. Unscrew and remove both Left and Right Panels.



6

APPLICATION OF ADHESIVE, RIGHT SIDE PANEL

- 6a. Starting with Right Side Panel, apply adhesive with at least $\frac{3}{16}$ " bead around the outer edges of the OSB board and in vertical lines with 6" spacings as illustrated. **NOTE:** Each Panel will use approximately 1 tube of adhesive; if any remains after completing the application pattern, apply remaining amounts on OSB in dollops until tube is empty.
- 6b. Install the Right Side Panel back into the previously marked position from step 5, check for plumb and screw panel back in place.
- 6c. Press on the outside surface of the panel in the area where the OSB board and adhesive is applied to ensure good contact of the adhesive to the inside of the Right Side Panel.



INSTALLATION OF EXTRUDED WALL CONNECTOR

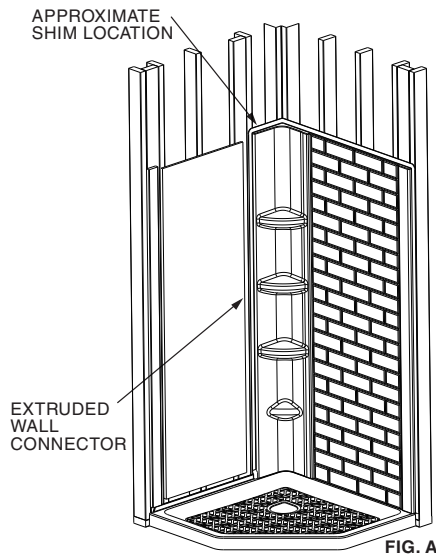


FIG. A

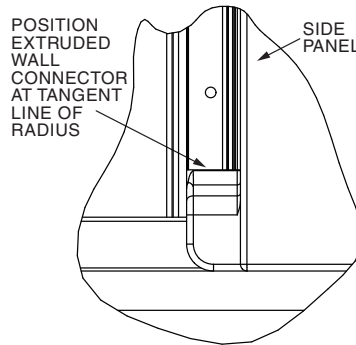


FIG. B
EXTRUDED WALL
CONNECTOR PLACEMENT

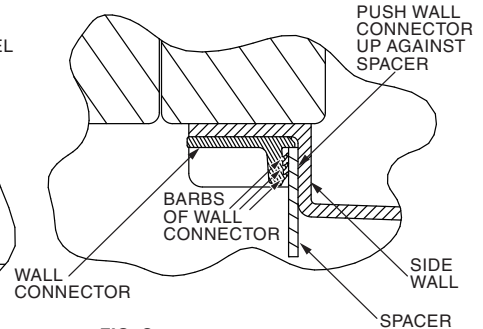
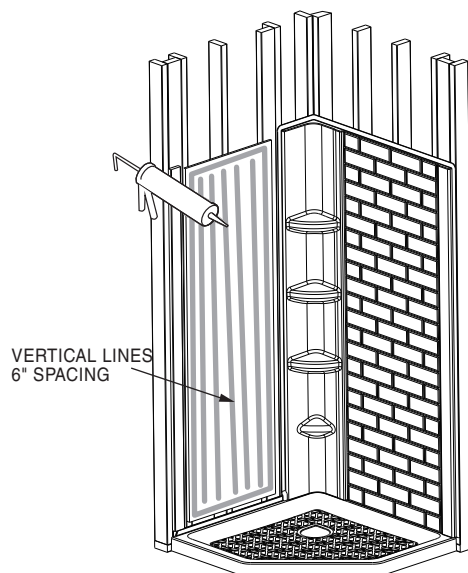


FIG. C
CUTAWAY VIEW LOOKING
DOWN FROM TOP

- 7a.** Remove Extruded Wall Connector and place onto the inside edge of the Right Side Panel as illustrated (Fig. A). **Note:** Ensure the Wall Connector installs and fits correctly as illustrated (Fig. B & C). Butt the barbed side of the Wall Connector against the Side Panel surface. Use tape to hold Wall Connector in place, then pre-drill the Right Side Panel flange using an 11/64" drill bit through each pre-drilled hole of the Wall Connector. **Note:** It is highly recommended that you drill a pilot hole for each screw as well to prevent Extruded Wall Connector from shifting.
- 7b.** Secure Right Side Panel and Wall Connector using GRK Cabinet screws® through each hole. GRK screw preferred. If using other type of screw, ensure it has a washer head of approximately 7/16" diameter and rated for exterior wet locations use. **Note:** It is not recommended to use a powered drill for the last few turns of the screw; use a hand screwdriver instead to avoid possible distortion of the Extruded Wall Connector.
- 7c.** Once Wall Connector is securely screwed in place, complete the dry fit process of the Left Side Panel to the Right Side Panel. Hold Left Side Panel up in position without pushing the side into Wall Connector and check that it fits the same as during the dry-fit stage. Check that the Left Side Panel fits correctly into the Extruded Wall Connector with no gaps. **Note:** Applying a small amount of water to the joint of the Wall Connector will make inserting the Left Side Panel easier to do.

8

APPLICATION OF ADHESIVE, LEFT SIDE PANEL

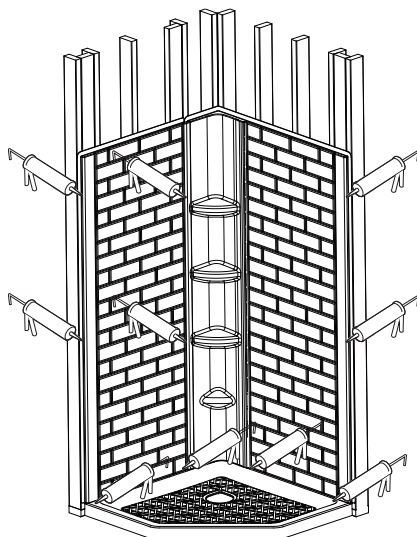


Once Left Side Panel is correctly in position, remove the Left Side Panel and apply adhesive on the OSB board around the outer edges in vertical lines with 6" spacings as illustrated. **NOTE:** Left Side Panel will use approximately 1 tube of adhesive; if some remains after completing the application pattern, apply remaining amounts on OSB in dollops until tube is empty. Reinstall the Left Side Panel back into position and snap into place over the Right Side Panel. When correctly snapped into position, screw Left Side Panel in place on the top flange area into each stud using exterior rated wood screws.

NOTE: It may be necessary to apply bracing to the wall areas to ensure good contact. Wait 24 hours before applying sealant to joint areas as noted in step 9 below.

9

APPLICATION OF SEALANT



After waiting 24 hours for adhesive to cure from step 8, remove any bracing that may have been installed and apply sealant to all areas as illustrated. Allow 24 hours to cure before using.

American Standard

POST INSTALLATION CLEAN-UP

Remove all construction debris. Install any accessories, shelves or doors according to manufacturer's installation instructions.

Post installation clean-up can be completed using 50/50 mixture of isopropyl alcohol and water.

AFTERCARE AND CLEANING

⚠ WARNING: Cleaning products with labels that say "not suitable for use with ABS, acrylic or polystyrene" SHOULD NOT BE USED. Read all labels carefully.

Clean shower walls with warm soapy water and soft sponge. For stubborn stains, use a 50/50 mix of isopropyl alcohol and water.

HARSH CHEMICALS SHOULD NEVER BE USED ON SHOWER WALL SURFACE. Clean after use with a mild liquid household detergent cleaner. **Do not use** Lestoil®, Lysol® Disinfectant (spray or concentrate), or Lysol® Basin, Tub and Tile Cleaner, Windex®, Mr. Clean®, Dow® Disinfectant Bathroom Cleaner, or cleaning products in aerosol cans.

Do not use wire brushes, knives or sharp objects to remove stains or other surface blemishes.

Abrasive cleaners or powders should not be used as they will dull the surface.

Do not allow nail polish remover, acetone, paint remover or other solvents to come into contact with the surface.

Spic And Span® Is A Registered Trademark Of The Spic And Span Company

WARRANTY

SHOWER WALLS 10 YEAR LIMITED WARRANTY

AS America, Inc. ("American Standard®") warrants to the original non-commercial owner that it will, at its sole option, repair or replace this product or any part of this product, if it confirms that the product is defective in materials or workmanship under normal use and maintenance for 10 years. This warranty is non-transferable to subsequent purchasers or owners. The sole exception to the non-transferability of this warranty is that if this product is purchased by a plumber, contractor or other service provider, this warranty extends to the first property owner on whose behalf the product was purchased for installation.

For this warranty to become effective, the warranty registration process must be completed via the internet or telephone per the warranty registration instructions.

The warranty term for non-commercial owners does not apply to commercial owner installations. Commercial owner installations shall have a warranty of 3 year(s), measured from the date of initial purchase. A "commercial owner installation" includes use of the products in apartments and other rental units, non-residential facilities, hotels, commercial businesses and/or other public accommodations. Except for warranty duration, all other warranty terms apply to commercial owner installations.

This warranty DOES NOT COVER the following:

1. Because American Standard cannot control the quality of products sold by unauthorized sellers, this warranty applies only to American Standard products which were purchased from American Standard or an American Standard authorized seller, unless otherwise prohibited by law. American Standard reserves the right to reject warranty claims from purchasers for products purchased from unauthorized sellers, including unauthorized Internet sites.
2. Defects or damage arising from shipping, installation, alterations, accidents, abuse, misuse, lack of proper maintenance and use of other than genuine American Standard replacement parts, in all cases whether caused by a plumbing contractor, service company, the owner or any other person.
3. Deterioration through normal wear and tear.
4. WATER DAMAGE, OR DAMAGES RESULTING FROM ABUSE OR MISUSE OR FROM FAILURE TO INSTALL OR MAINTAIN THIS PLUMBING PRODUCT IN ACCORDANCE WITH THE WRITTEN INSTRUCTIONS FURNISHED BY AS AMERICA, INC.
5. USE OF CLEANING PRODUCTS CONTAINING CALCIUM HYPO CHLORITE (CHLORINE), SCOURING POWDERS OR PADS SHALL NOT BE COVERED.
6. THE USE OF SCENTED CANDLES IN CLOSE PROXIMITY WITH THIS PRODUCT CAN RESULT IN PERMANENT STAINING OF THE FINISH.
7. Expense of normal maintenance.
8. All costs of removal, transportation, labor, reinstallation or other costs including postage and/or shipping costs to obtain warranty service shall be paid by the purchaser.
9. ANY LIABILITY FOR CONSEQUENTIAL OR INCIDENTAL DAMAGES, ALL OF WHICH ARE HEREBY EXPRESSLY DISCLAIMED. Some States do not allow the exclusion or limitation of incidental or consequential damages, so this limitation or exclusion may not apply to you. ANY IMPLIED WARRANTIES, INCLUDING THOSE OF MERCHANTABILITY OR FITNESS FOR PURPOSE INTENDED, ARE LIMITED IN DURATION TO THE DURATION OF THIS WARRANTY. Some States do not allow limitations on how long an implied warranty lasts, so this limitation may not apply to you.
10. Responsibility for compliance with local code requirements ARE EXCLUDED FROM THIS WARRANTY. (Since local code requirements vary greatly distributors, retailers, dealers, installation contractors and users of plumbing products should determine whether there are any code restrictions on the installation or use of a specific product.) This warranty gives you specific legal rights, and you may also have other rights which vary from State to State.

OBTAINING WARRANTY SERVICE

If you believe that you have a warranty claim, contact American Standard, either through an authorized AS America, Inc. dealer or re-seller, by writing to the addresses below, or visiting the website below:

UNITED STATES

American Standard Brands
30 Knightsbridge Road, Suite 301
Piscataway, New Jersey 08854
Attention: Director of Customer Care
For residents of the United States,
warranty information may also be obtained
by calling the following toll free number:
(800) 442-1902
www.americanstandard.com

CANADA

LIXIL Canada, Inc.
5900 Avebury Rd.
Mississauga, Ontario
Canada L5R 3M3
Toll Free: (800) 387-0369
www.americanstandard.ca

MEXICO

American Standard B&K Mexico
S. de R.L. de C.V.
Via Morelos #330
Col. Santa Clara
Ecatepec 55540 Edo. Mexico
Toll Free: 01-800-839-1200
www.americanstandard.com.mx

PLEASE COMPLETE AMERICAN STANDARD WARRANTY REGISTRATION PROCESS AND SAVE THIS WARRANTY INFORMATION

IMPORTANT: Registration of the shower walls must be completed for this warranty to become effective. Your registration will make it easier to contact you in the event of a product recall.*

INSTRUCTIONS: Register your tub or shower walls at www.americanstandard.com. Please save your proof of purchase (sale receipt). If you need assistance or do not have access to our website, please contact American Standard Customer Care at: (800) 442-1902. An American Standard representative will assist in completing the warranty registration.

*In California, your warranty rights remain intact even if you do not complete the registration process.

THIS WARRANTY IS NOT TRANSFERABLE FROM ORIGINAL CONSUMER PURCHASER.

American Standard

TELL US WHAT YOU THINK!

★ Please leave us a product review or story at **americanstandard.com/reviews**



Great Tub

03/13/2018 06:52:29 CDT American Standard Bathtubs Saver 60 Inch by 34 Inch Integral Apron Bathtub. Left Hand Drain

Love the tub. It is very roomy and would definitely buy it again. Our old tub cracked so we got this one to replace it. This one feels like it is more durable and not as flimsy as the last one.

Register your warranty and sign up for an idea-filled newsletter at **americanstandard.com/warranty**.

Find installation videos at **youtube.com/americanstandard**.

≡ WANT MORE INFO?

For questions or help call us at **800-442-1902**,
or visit **americanstandard.com**