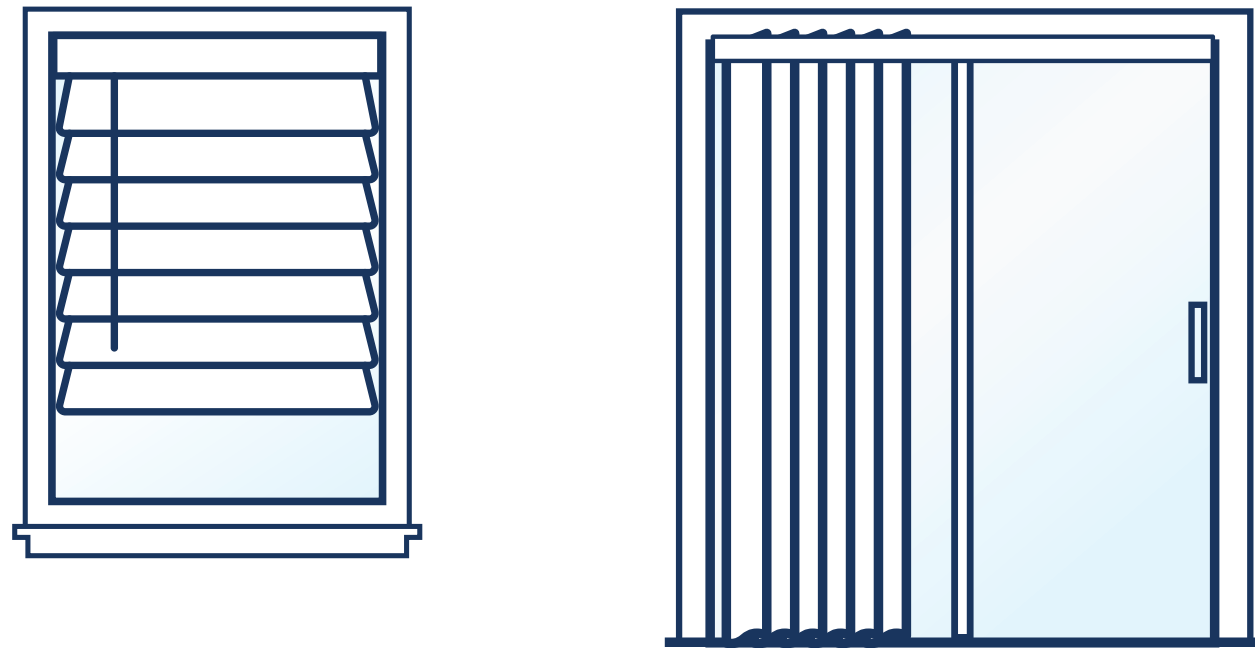
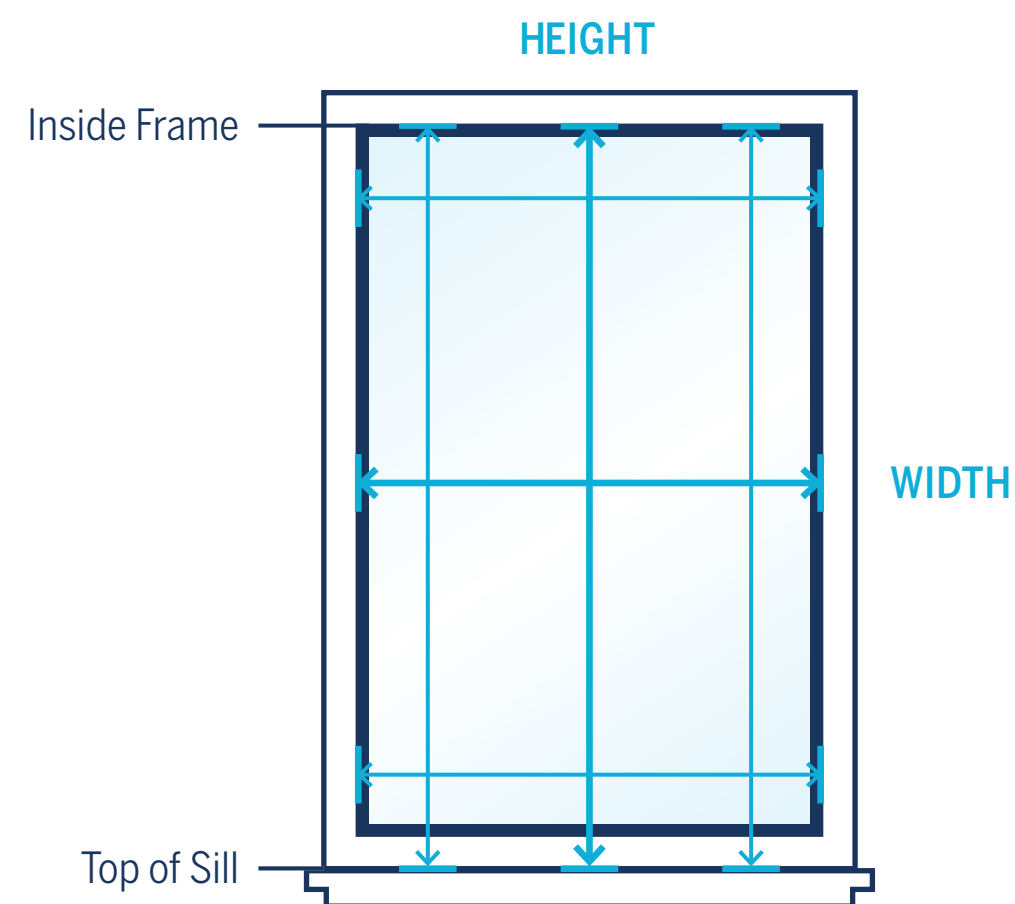


## Inside Mount

Fits inside the window or door frame for a beautifully framed look



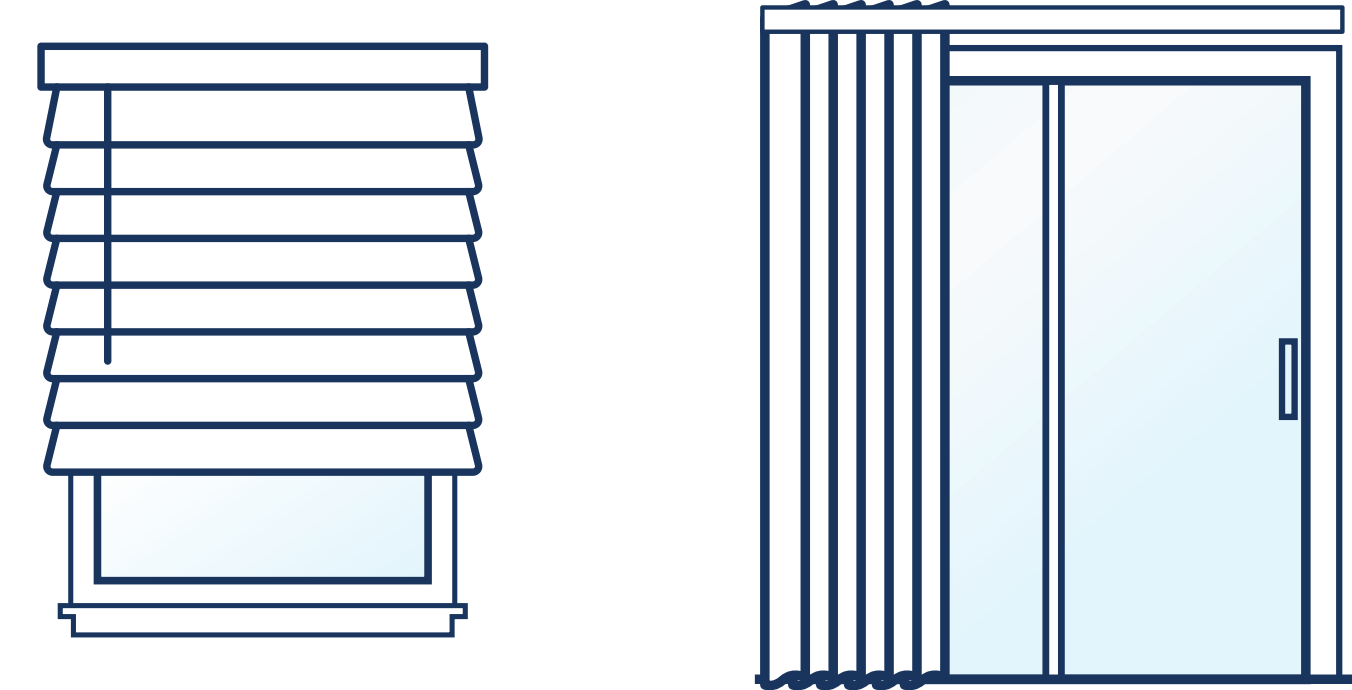
### Measuring for Inside Mount



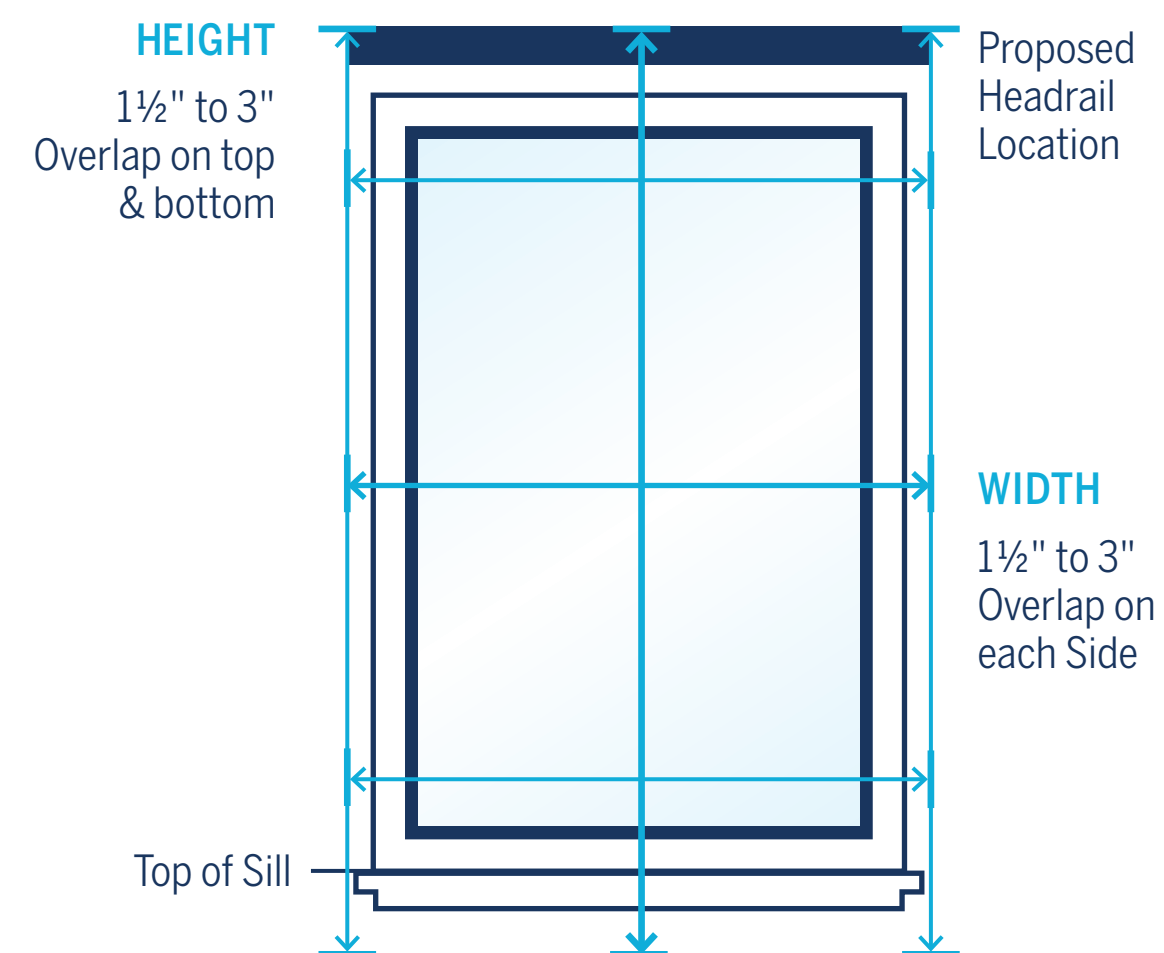
- 1 Measure Width**  
Measure at the top, middle, and bottom of the window to the nearest 1/8" from within the inside surfaces of the window frame.  
Record the narrowest width of the three.
- 2 Measure Height**  
Measure at the left, middle, and right of the window to the nearest 1/8" from the inside surface at the top of the window down to the top of the sill.  
Record the tallest height of the three.

## Outside Mount

Covers the window or door frame for increased light control and privacy



### Measuring for Outside Mount



- 1 Measure Width**  
Measure at the top, middle, and bottom of the window to the nearest 1/8" between the outermost points of where the shade will be placed.  
Measurement should overlap each side of window frame by at least 1 1/2".
- 2 Measure Height**  
Measure at the left, middle, and right of the window to the nearest 1/8" from the top of where the shade will be placed down to the top of the sill, or, to the shade's full, desired reach if no sill.

#### Helpful hints

Always use a metal tape measure as cloth may stretch

Measure your window not your existing blind or shade

Check depth to ensure shade will clear any obstacles and can accommodate valance

Measure each window separately even if they appear to be identical