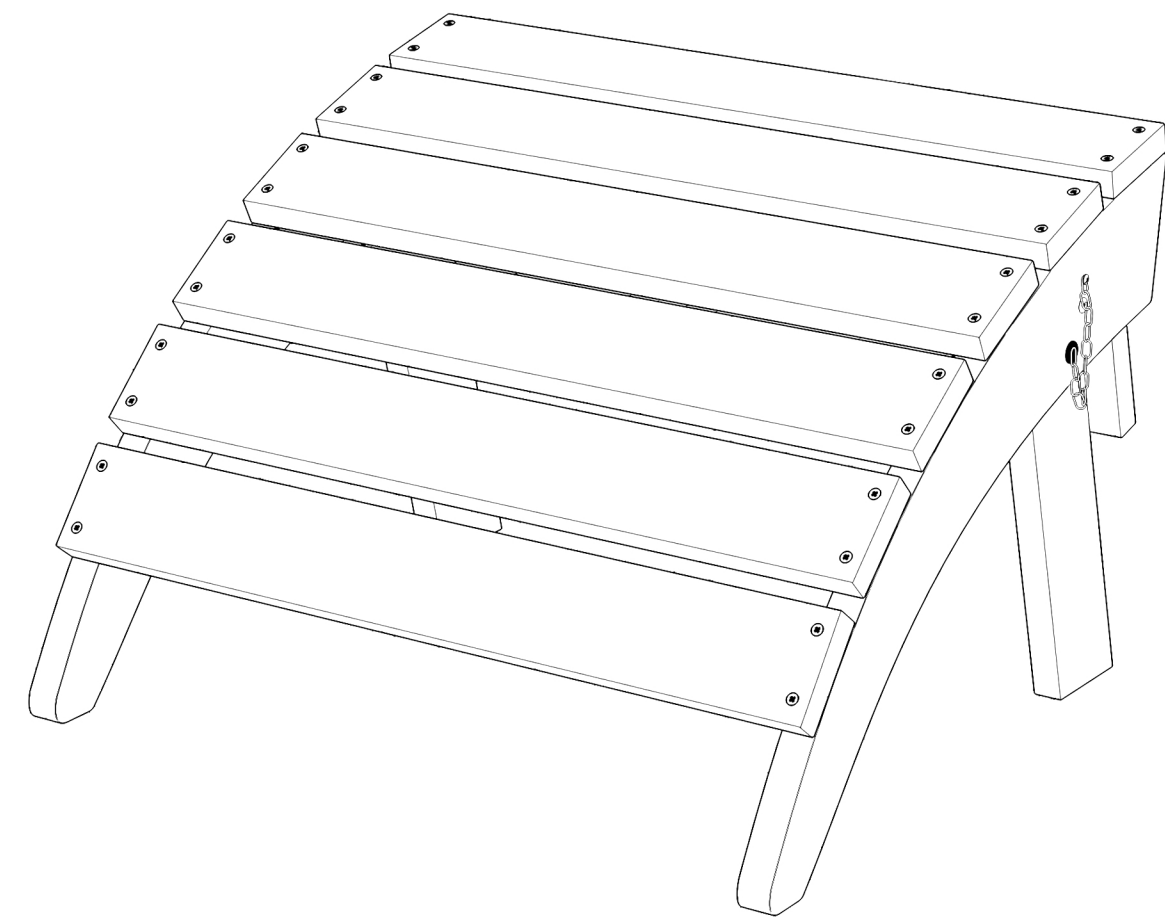


# Assembly Instructions

ADIRONDACK FOLDABLE OTTOMAN

A061-004-001



Important - Please read these instructions fully before starting assembly

## HASSLE-FREE WARRANTY

We stand behind the quality of our products.

For full warranty policy, email: [poly@homeselecting.com](mailto:poly@homeselecting.com)



220 LBS  
CAPACITY



1 PERSON  
ASSEMBLY

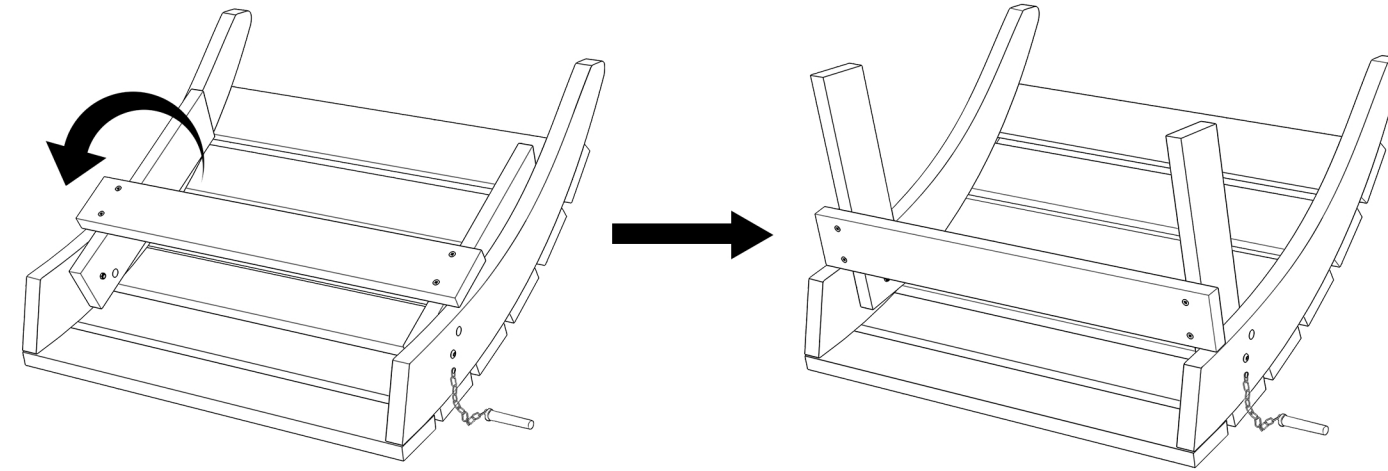


AROUND 5 MIN.  
ASSEMBLY

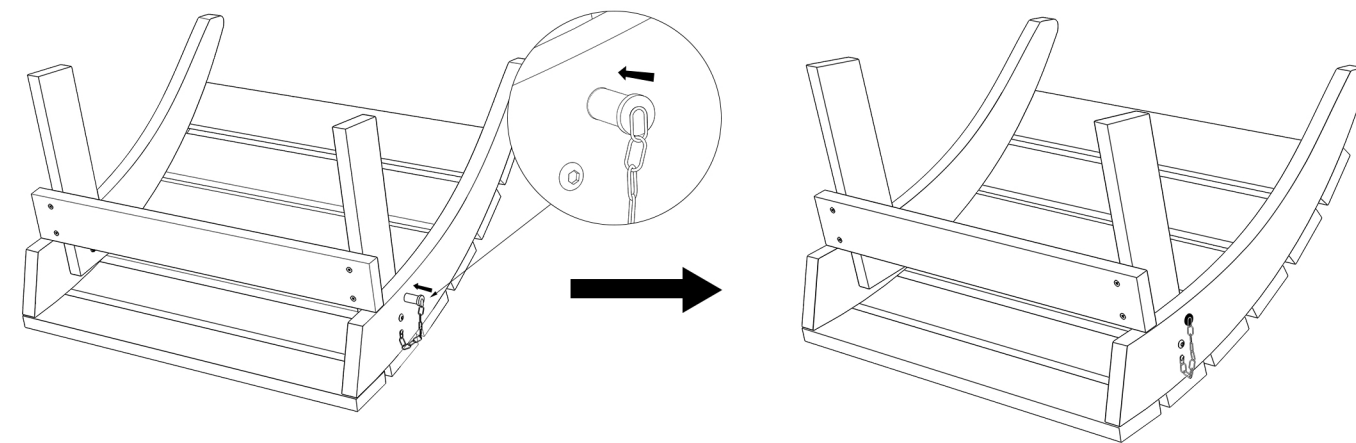
# Components

If you need help or have damaged or missing parts, please email: [poly@homeselecting.com](mailto:poly@homeselecting.com)

## Unfolding the Ottoman



Step 1: Unfold the legs.

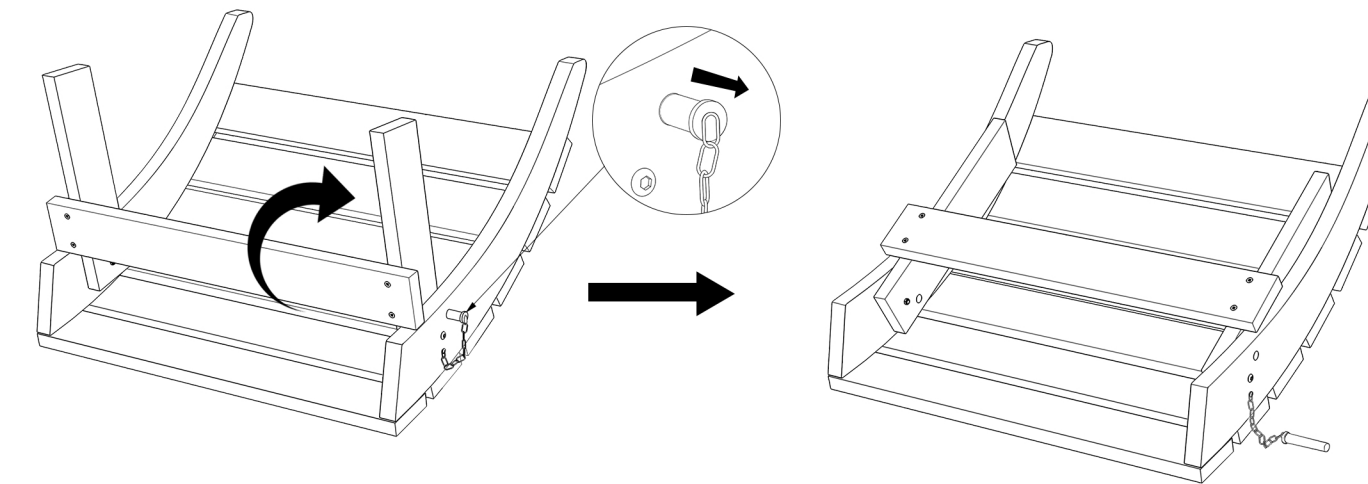


Step 2: Insert the plug.

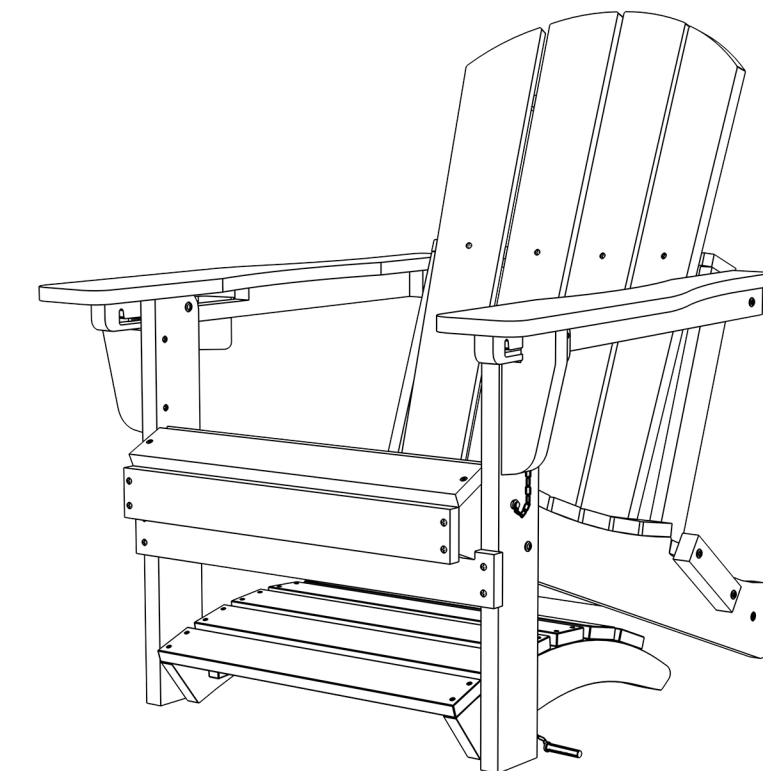
# Assembly Instructions

If you need help or have damaged or missing parts, please email: [poly@homeselecting.com](mailto:poly@homeselecting.com)

## Folding the Ottoman



Pull out the plug, then fold the legs.



Folded ottoman can be stored under the adirondack chair as shown.

# Warnings

If you need help or have damaged or missing parts, please email: [poly@homeselecting.com](mailto:poly@homeselecting.com)

## Important - Please read these instructions fully before starting assembly

Check you have all the components and tools listed on the page 2.

Remove all fittings from the plastic bags and separate them into their groups.

Keep children and animals away from the work area, small parts may cause choking if swallowed.

Make sure you have enough space to layout the parts before starting.

Assemble on a soft level surface to avoid damaging the unit or your floor.

Do not stand or put weight on the product, this could cause damage.

Assemble the item as close to its final position (in the same area) as possible.

Do not place furniture directly in front of radiators, fires, or any other source of heat.



The assembly will be easier with 2 people while 1 person could also do the job.



Refer to the LISTING page for specific installation videos.

## Cleaning & Maintenance

●Clean the product with a solution of mild soap and water. Dip a soft cloth or sponge into the solution and wipe down the entire surface.

●After cleaning, thoroughly rinse the furniture with water to remove any remaining soap residue.

●When not in use, cover the product with a protective cover to keep it clean and prolong its lifespan.