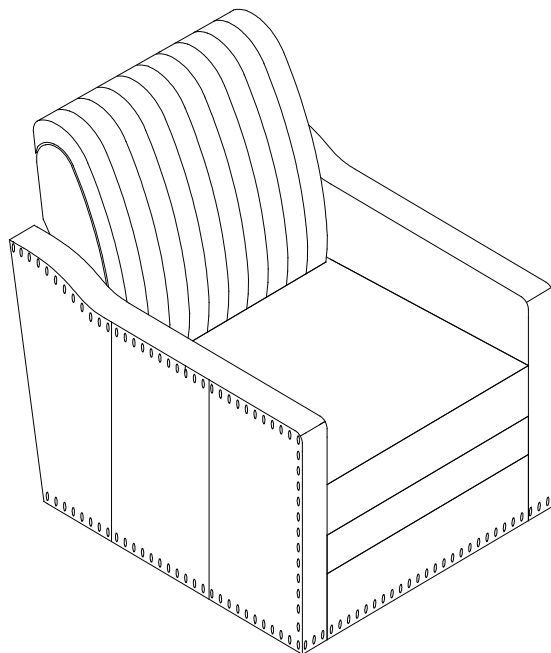
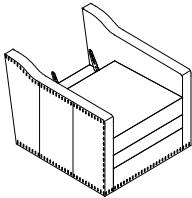
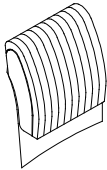


## ASSEMBLY INSTRUCTIONS



### COMPLETED TITUS SWIVEL ACCENT CHAIR ASSEMBLY

## PART LIST

PART	DRAWING	DESCRIPTION	QTY
A		SEAT	1PC
B		BACKREST	1PC

#### Customer Service Contact Information:

Toll Free Phone Number: 1-844-771-2727

Email: [consumercare@ufifurniture.com](mailto:consumercare@ufifurniture.com)

Website: [www.lanefurniture.com](http://www.lanefurniture.com)

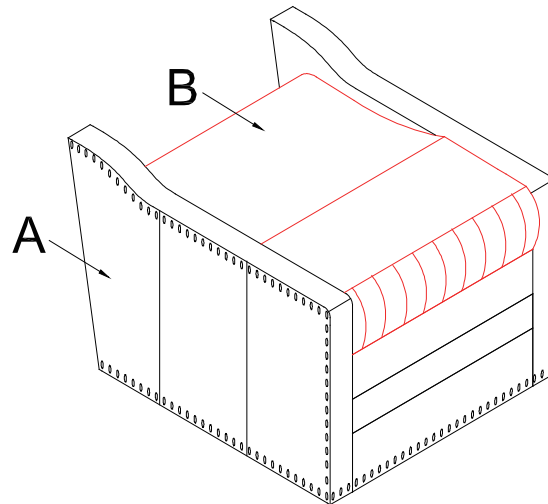
#### NOTES:

- CHECK CAREFULLY FOR SMALL PARTS WHICH MAY COME LOOSE DURING SHIPMENT.
- REMOVE ALL COMPONENTS FROM THE PACK AND PLACE ON A CLEAN, SOFT SURFACE TO ASSEMBLE.
- UNITS SHOULD BE ASSEMBLED BY TWO OR MORE PEOPLE.
- DO NOT OVER -TIGHTEN SCREW/ BOLTS UNTIL ASSEMBLY IS COMPLETED.
- WITH USE, SCREW MAY BE COME LOOSE & MUST BE TIGHTENED PERIODICALLY.

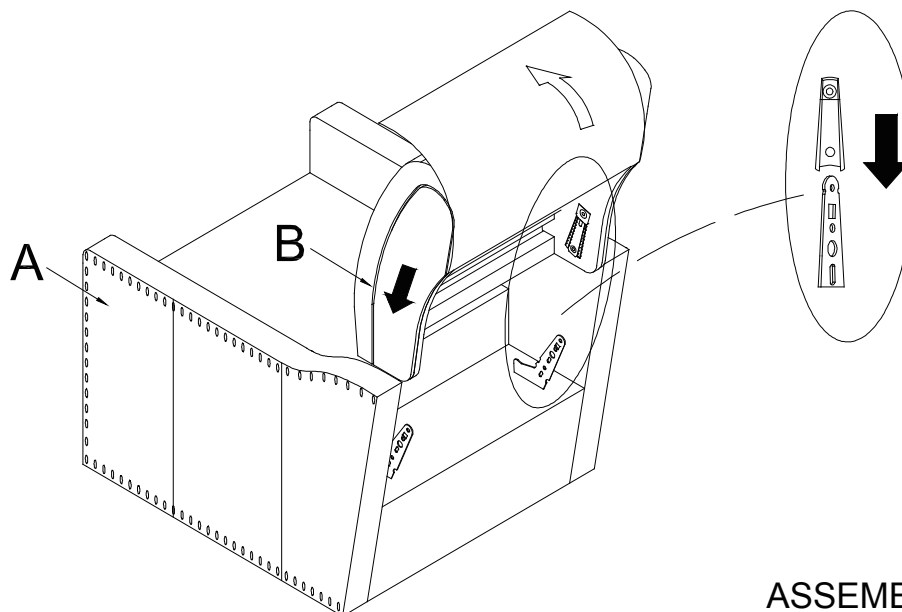


## ASSEMBLY INSTRUCTIONS

THE PARTS ARE LOCATED INSIDE THE BOX AS BELOW:



**Step 1:** Attach Backrest (B) to the Seat (A) by pushing from the topdown in to the metal bracket position.



ASSEMBLY COMPLETED

Customer Service Contact Information:  
Toll Free Phone Number: 1-844-771-2727  
Email: [consumercare@uffurniture.com](mailto:consumercare@uffurniture.com)  
Website: [www.lanefurniture.com](http://www.lanefurniture.com)

### NOTES:

1. CHECK CAREFULLY FOR SMALL PARTS WHICH MAY COME LOOSE DURING SHIPMENT.
2. REMOVE ALL COMPONENTS FROM THE PACK AND PLACE ON A CLEAN, SOFT SURFACE TO ASSEMBLE.
3. .UNITS SHOULD BE ASSEMBLED BY TWO OR MORE PEOPLE.
4. DO NOT OVER -TIGHTEN SCREW/ BOLTS UNTIL ASSEMBLY IS COMPLETED.
5. WITH USE, SCREW MAY BE COME LOOSE & MUST BE TIGHTENED PERIODICALLY.