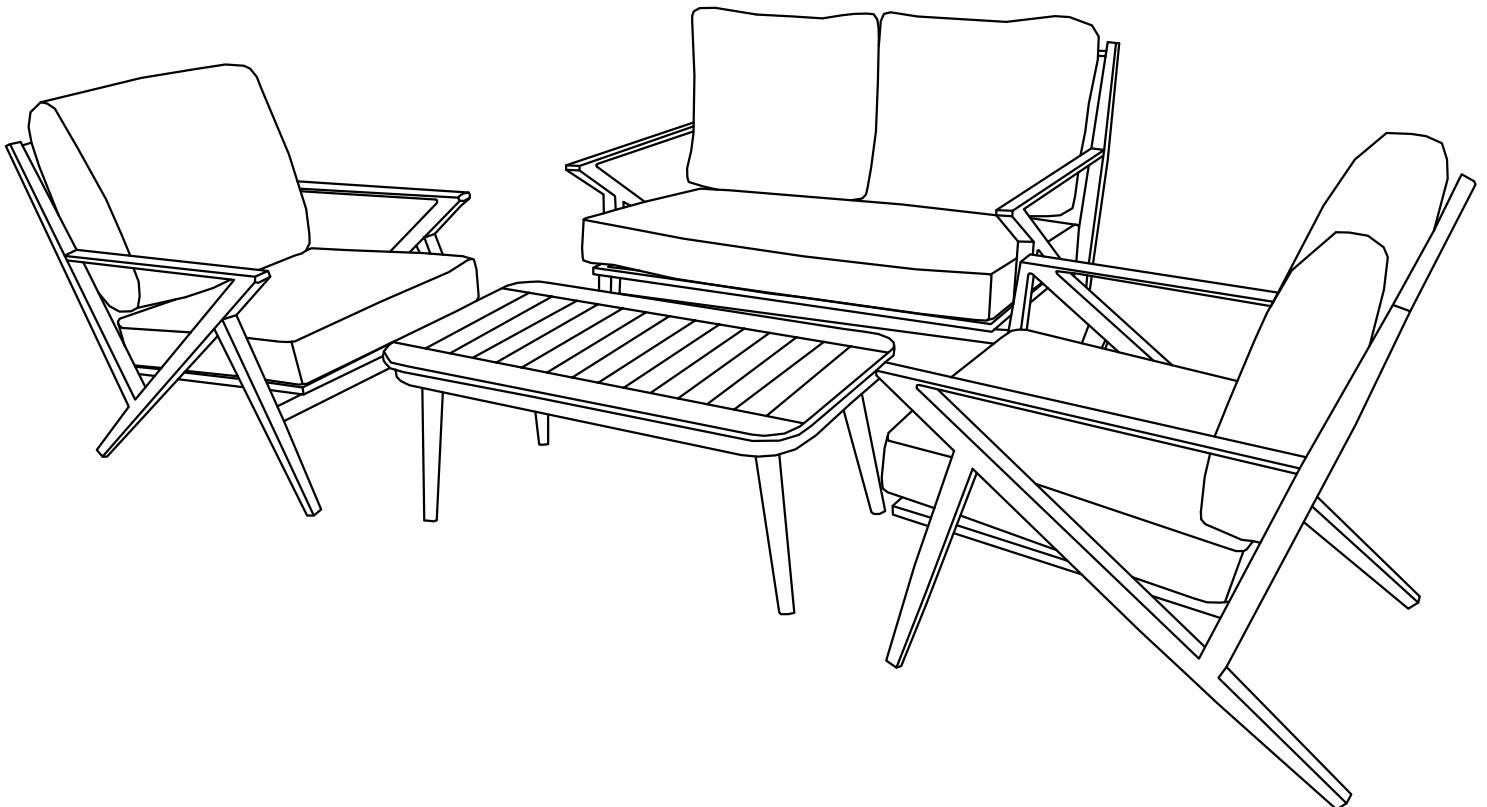


ASSEMBLY INSTRUCTION

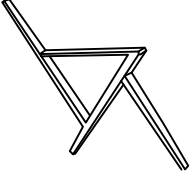
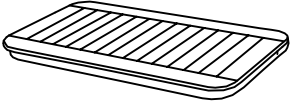
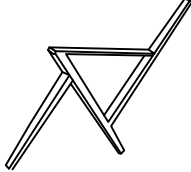
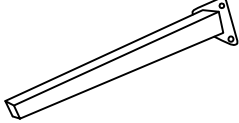
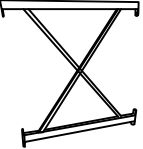

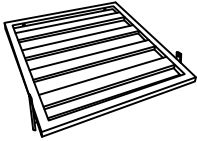

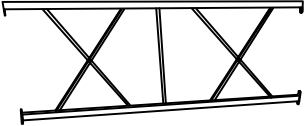
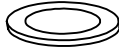
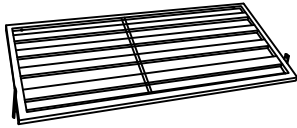

When you buy One item ,might you will receive 2 or more boxes. Due to the carrier , all the boxes cannot arrive at the same time. Please wait patiently for the rest of the boxes to arrive.

Assembly Tips:

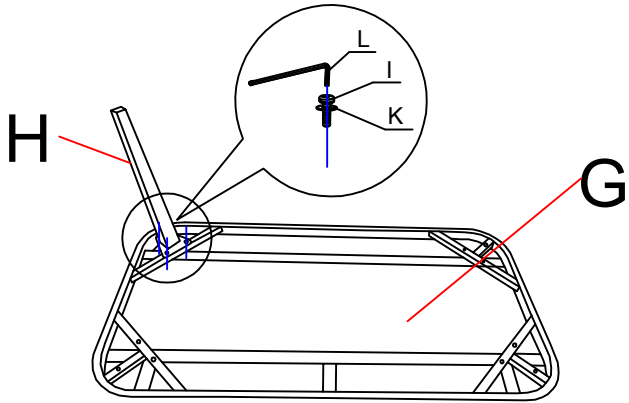
- 1) Before assembly , please confirm that the parts are complete.
- 2) Hand tighten all the bolts to line up all the pieces. Tight all the screws to 60% first then tight to 100%.
- 3) If the screws are not tight or twisted, do not use gravity, first loosen the adjacent holes, align each hole, and then tighten.
- 4) If you received the product with missing accessories\damaged parts\ assembly problems, please do not worry. please provide your order number and pictures of your damaged parts, and sent your problems to mail :
info@foresthme-us.com;info2@foresthme-us.com;sales@unityfidek.com
- 5) Our team members are more than happy to help.



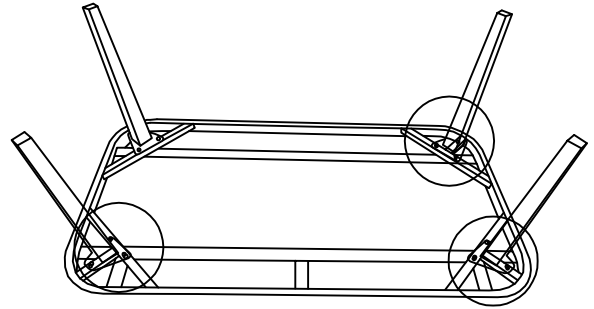
PARTS LIST

A		3PCS	G		1PC
B		3PCS	H		4PCS
C		2PCS	I	 m6x15	42PCS
D		2PCS	J	 m6x45	8PCS
E		1PC	K		50PCS
F		1PC	L		1PC

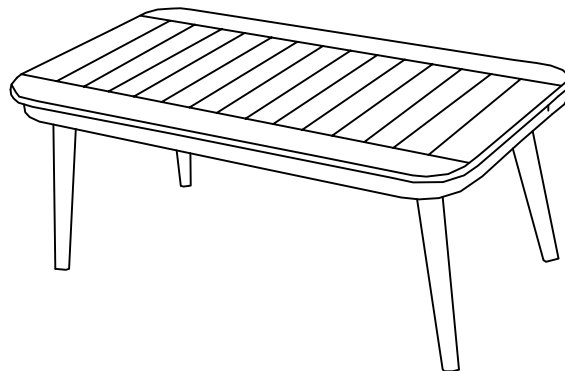
Note: Do not tighten bolts until all parts are connected



Step 1

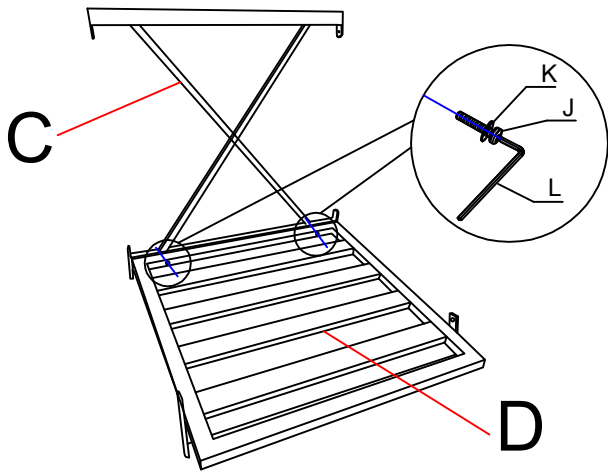


Step 2

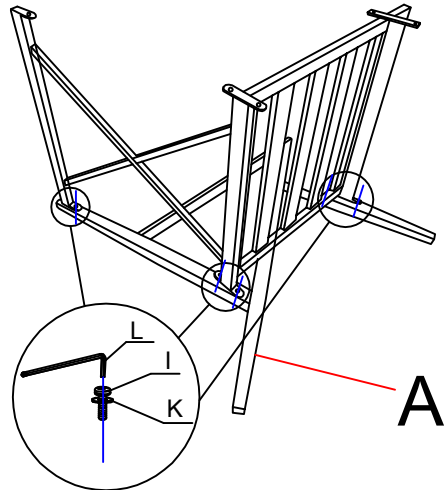


Step 3

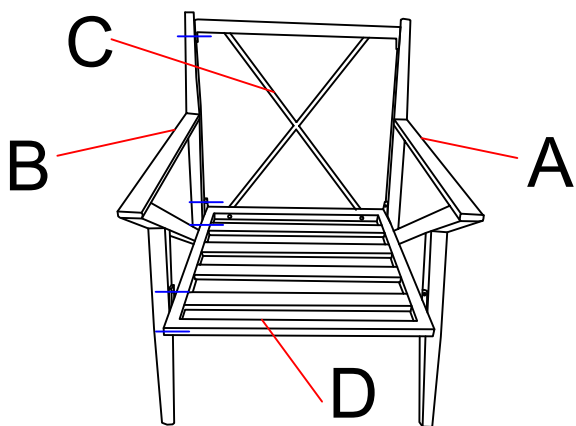
Note: Do not tighten bolts until all parts are connected



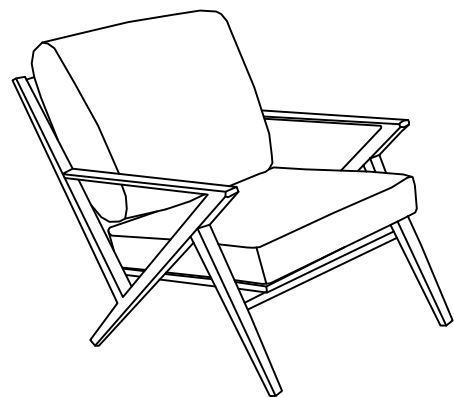
Step 4



Step 5

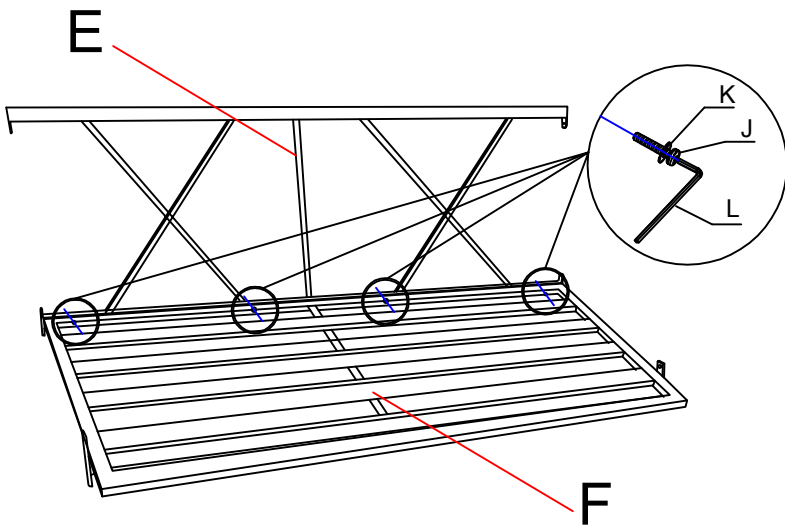


Step 6

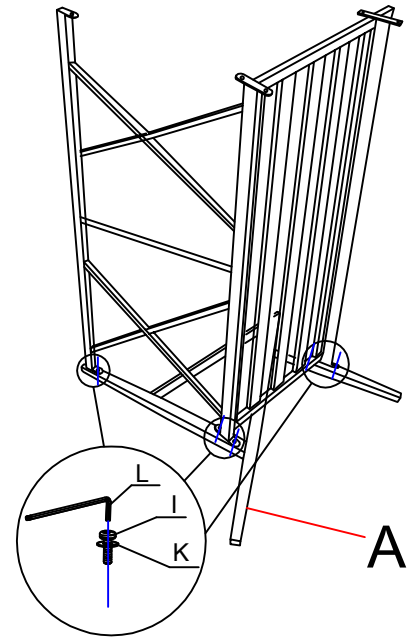


Step 7

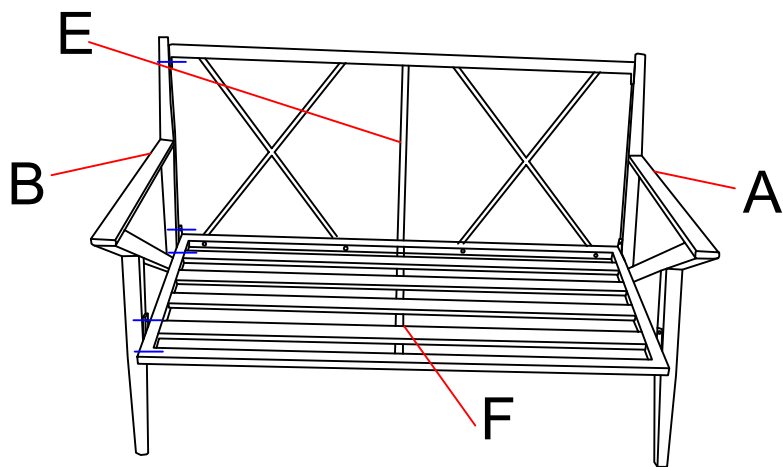
Note: Do not tighten bolts until all parts are connected



Step 8



Step 9



Step 10