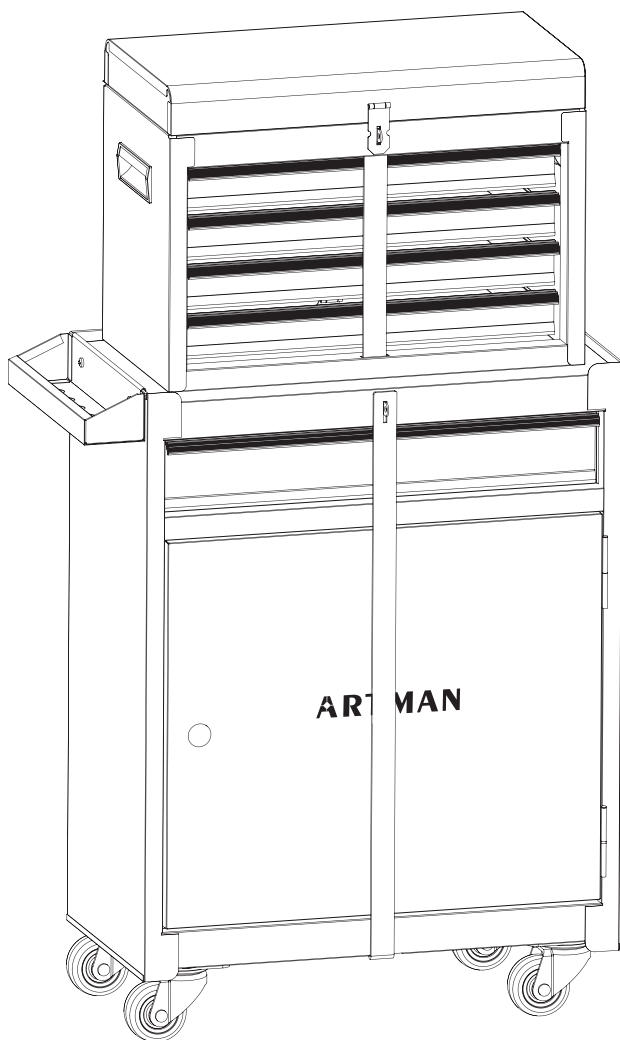
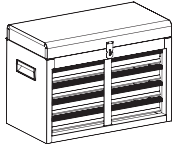
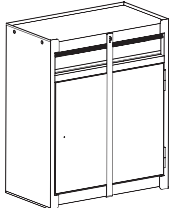

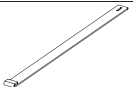
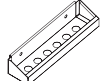
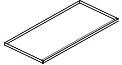











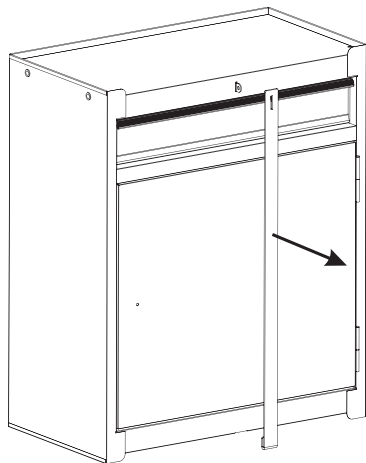
ART MAN



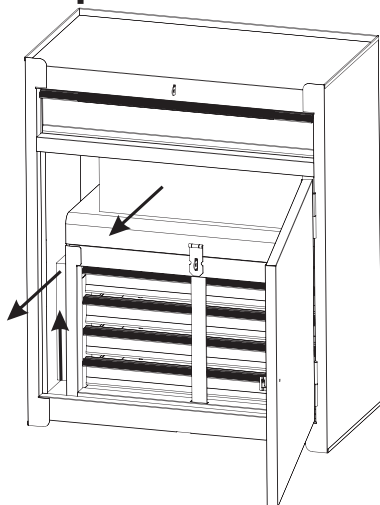


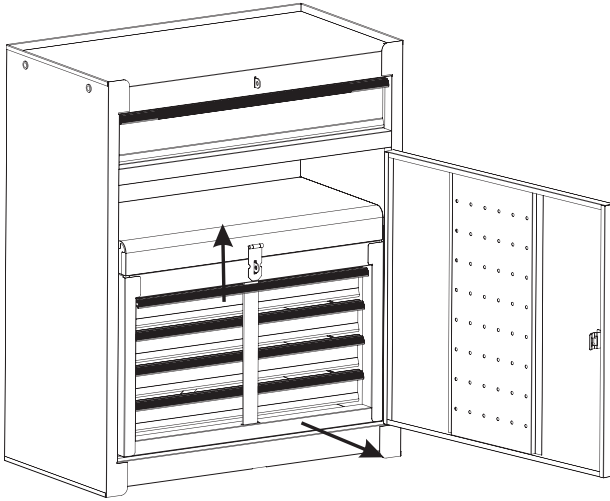
TEIL	NR.	STK.
	1	1 PCS
	2	1 PCS
	3	4 PCS
	4	1 PCS
	5	1 PCS
	6	1 PCS
	7	1 PCS
	8	1 PCS
	9	1 PCS
	10	1 PCS
	11	4 PCS
	12	18+2 PCS
	13	16+2 PCS
	14	16+2 PCS
	15	16+2 PCS

Step 1 :Remove the Locking strip.

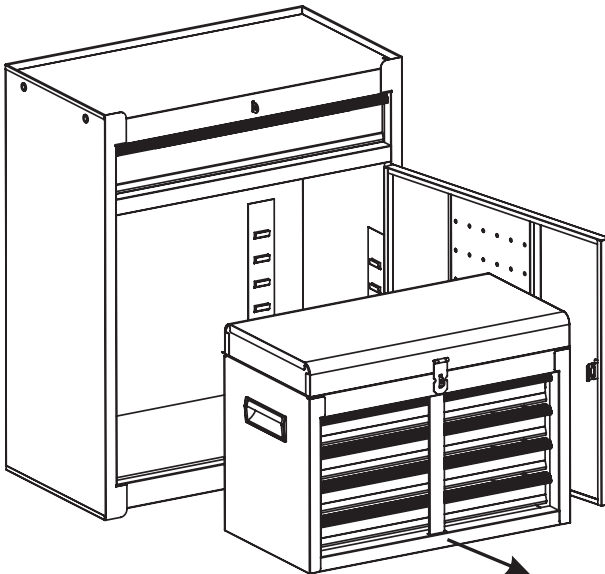


Step 2 :Open the box and remove the foam pad.

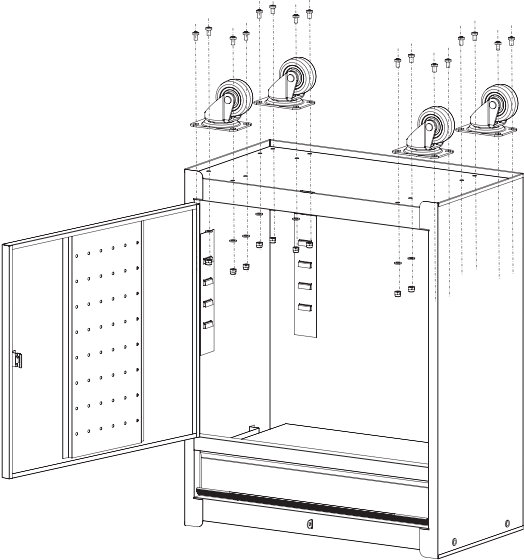
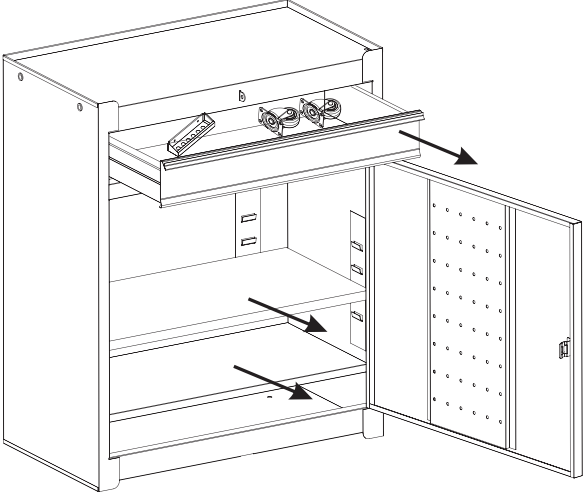




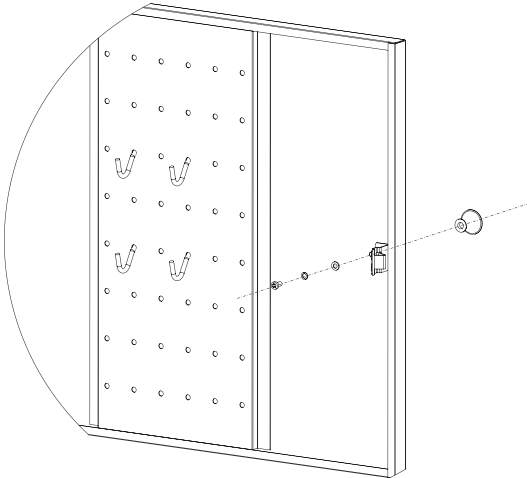
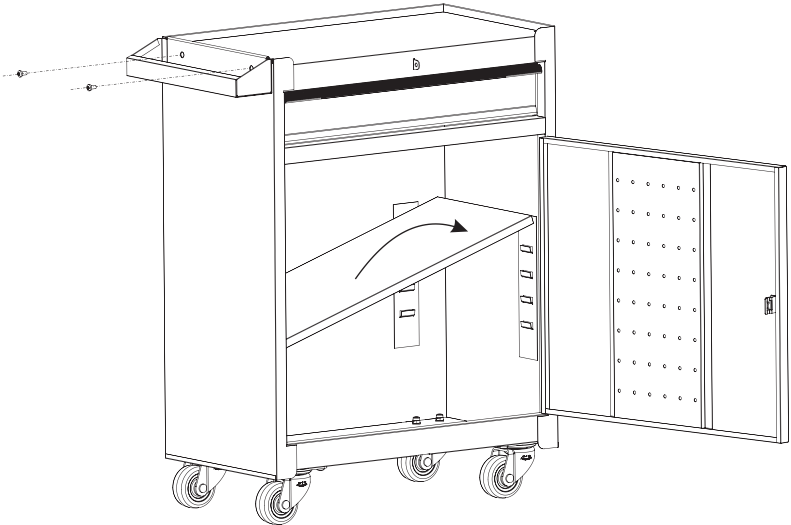
Step 3 :Take out the small box.



Step 4: Take out the side panels, open the drawer to find the wheels, and install.



Step 5 :Install side panels and handles.



Step 6 :Put the small box on top.

