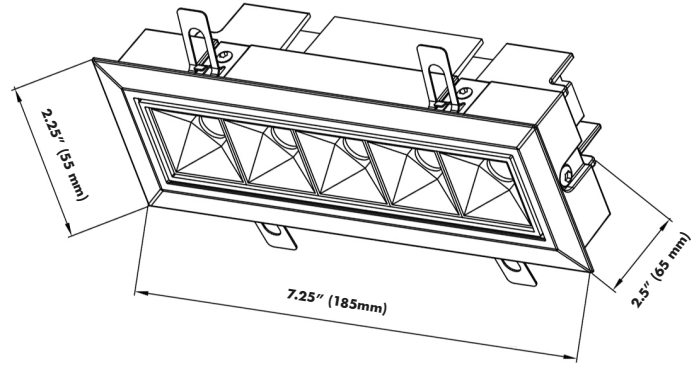
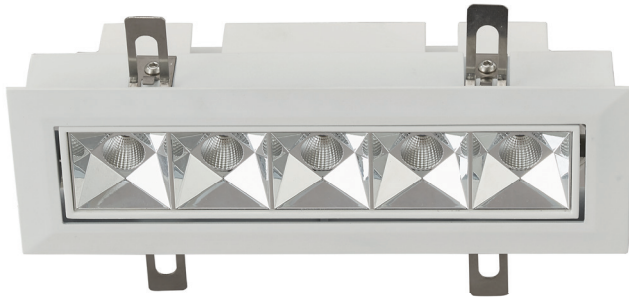


RUBIK SERIES

VMDL000605C012WH

VONN

PROJECT:	TYPE:	CATALOG #:	DATE:
----------	-------	------------	-------



NOMINAL STANDARD SPECIFICATIONS

SKU:	VMDL000605C012WH
FINISH:	WHITE
LUMEN OUTPUT:	728.83
INPUT VOLTAGE:	100 - 277V
COLOR TEMPERATURE:	3000K
CRI: 90	90
DIMMING:	0-10V
POSITIONING:	ADJUSTABLE LEFT 15° / RIGHT 15°
BEAM ANGLE:	34.3°
WATTAGE:	12 W
CUT OUT:	7" L (178 mm) x 2.25"W (59 mm)
ENVIRONMENT:	DRY / IP20
MOUNTING:	RECESSED

FEATURES

- LED Adjustable trim downlight, RUBIK Series
- Aluminum body structure available in White finish
- Integrated LED 5-spot fixture, recessed installation
- IC Rated
- Adjustable 15° to the left or right
- DIMENSIONS: 7.25"L x 2.5"W x 2.25"H
- HOLE SIZE: 7"L x 2.25"W
- LENS BEAM ANGLE: offered in 4 beam angles 12°, 20°, 34°, 48°
- ETL, cETL, Title 20 Compliant, Title 24 Compliant, Prop 65 Compliant, Energy Star Compliant
- 3 Year Limited Warranty

THE MEASUREMENTS ARE ROUNDED TO THE NEAREST 1/4"

SAMPLE ORDERING SKU

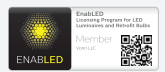
1	2	3	4	5	6
VMDL000605C012WH	012	WH	30K	B34	
1 - SKU	2 - WATTAGE	3 - FINISH	4 - COLOR TEMP.	5 - BEAM ANGLE	6 - OTHER OPTIONS
VMDL000605C	012 - 12 W	WH - White BL - Black*	27K - 2700* 30K - 3000 35K - 3500* 40K - 4000*	B12 - 12°* B20 - 20°* B34 - 34.3° B48 - 48°*	EMD - EMERGENCY DRIVER EMC - EMERGENCY CIRCUIT

NOTES

*ANY CUSTOM MODIFICATION WILL SUBJECT TO MINIMUM ORDER QUANTITY. (M.O.Q.)

RELATED PRODUCTS AVAILABLE:

- VMDL000605C012WH
- VMCL000605D012WH
- VMDL000605B012WH
- VMDL000605R012WH



PROJECT:

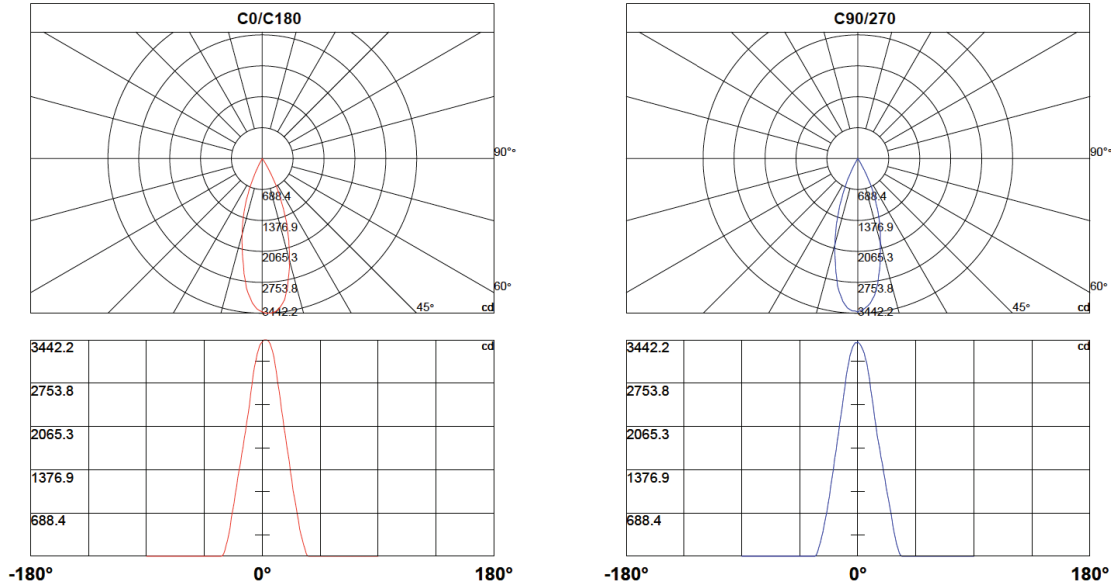
TYPE:

CATALOG #:

DATE:

PHOTOMETRICS

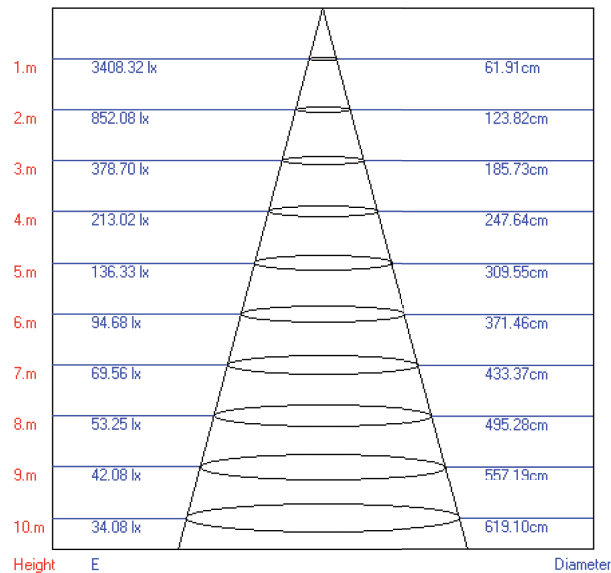
30K - 3000 - STANDARD



BEAM ANGLE

30K - 3000 - STANDARD

Lux-Distance Curve



Beam Angle: 34.40°