

PRODUCT SPECIFICATIONS

OVERALL ASSEMBLED DIMENSIONS

HEIGHT: 112 CM (44-1/8"), WIDTH: 58 CM (22-13/16") DIA.

PUMP: SOLAR PUMP, 6V, MODEL: SLP105, SUBMERSIBLE FOUNTAIN PUMP.

SOLAR PANEL: 2 WATT SOLAR PANEL WITH RECHARGEABLE BATTERY PACK (FIVE RECHARGEABLE BATTERIES, NI-MH, 6V, 1200MAH).

COLUMNS: PAINTED RESIN. UPPER COLUMN: 13.7 CM (5-3/8") DIA. x 24.1 CM (9-1/2") HEIGHT, LOWER COLUMN: 17.1 CM (6-3/4") DIA. x 21.6 CM (8-1/2") HEIGHT. SHAPED AS SHOWN.

RESERVOIRS: PAINTED RESIN. UPPER RESERVOIR: 33 CM (13") DIA. x 10.8 CM (4-1/4") HEIGHT, LOWER RESERVOIR: 56.8 CM (22-3/8") DIA. x 14.3 CM (5-5/8") HEIGHT. SHAPED AS SHOWN.

BASE: PAINTED RESIN. 19.2 CM (7-9/16") DIA. (TOP) x 27 CM (10-5/8") DIA. (BOTTOM) x 62.2 CM (24-1/2") HEIGHT. SHAPED AS SHOWN.

TAGS: MANUFACTURING DATE, REPLACEMENT PARTS LABEL, WARNING LABEL FOR PARTS, PARTS ARROW LABEL, MODEL # AND COUNTRY OF ORIGIN LABEL PROVIDED.

PACKAGING AND SHIPPING DETAILS

THE FOUNTAIN AND PUMP ARE CAREFULLY WRAPPED IN A PLASTIC BAG AND PLACED SECURELY IN THE INNER PACKING SO THEY CAN NOT MOVE DURING SHIPPING.

THE CARTON IS MADE OF DOUBLE WALL CORRUGATED CARDBOARD "A MA A". BROWN IN COLOR. THE INNER PACKING IS DIE-CUT CARDBOARD AND/OR STYROFOAM SUFFICIENT TO PROTECT AND SECURE THE FOUNTAIN AND MUST PASS THE FEDEX AND ISTA-3A DROP TEST REQUIREMENTS.

EACH CARTON SHALL BE PRINTED WITH A LINE DRAWING AND THE KENROY HOME NAME AND LOGO, MODEL NUMBER AND FINISH, EACH CARTON SHALL BE PROVIDED A UPC LABEL. THE UPC BAR CODE AS FOLLOWS: SS=053392104610.

OTHER DETAILS

MODEL 50194SS INSTRUCTIONS ARE TO BE PACKED IN A PLASTIC BAG WITH EACH FOUNTAIN. INSTRUCTIONS MUST BE PRINTED CLEARLY ON QUALITY PAPER.

ALL VISIBLE PARTS MUST MATCH FOUNTAIN FINISH UNLESS OTHERWISE SPECIFIED.

ALL BAGS MUST BE LABELED WITH OFFICIAL "THIS BAG IS NOT A TOY" STATEMENT.

WE REQUIRED THAT A COLOR PIGMENT CLOSE TO THE FINISH COLOR OF THE FOUNTAIN MUST BE MIXED INTO THE RESIN/MATERIAL PRIOR TO THE MOLD COMPLETION. THIS IS TO ASSURE IF WE HAVE ANY PEELING OF PAINT THE RESIN IS THE SAME COLOR AS THE FINISH OF THIS ITEM.

EACH FOUNTAIN SHOULD HAVE A PIGMENT COLOR REFERENCE CHIP FOR THE UNPAINTED GOODS FOR INSPECTION.

ASSEMBLY TIME: 30 MINUTES.

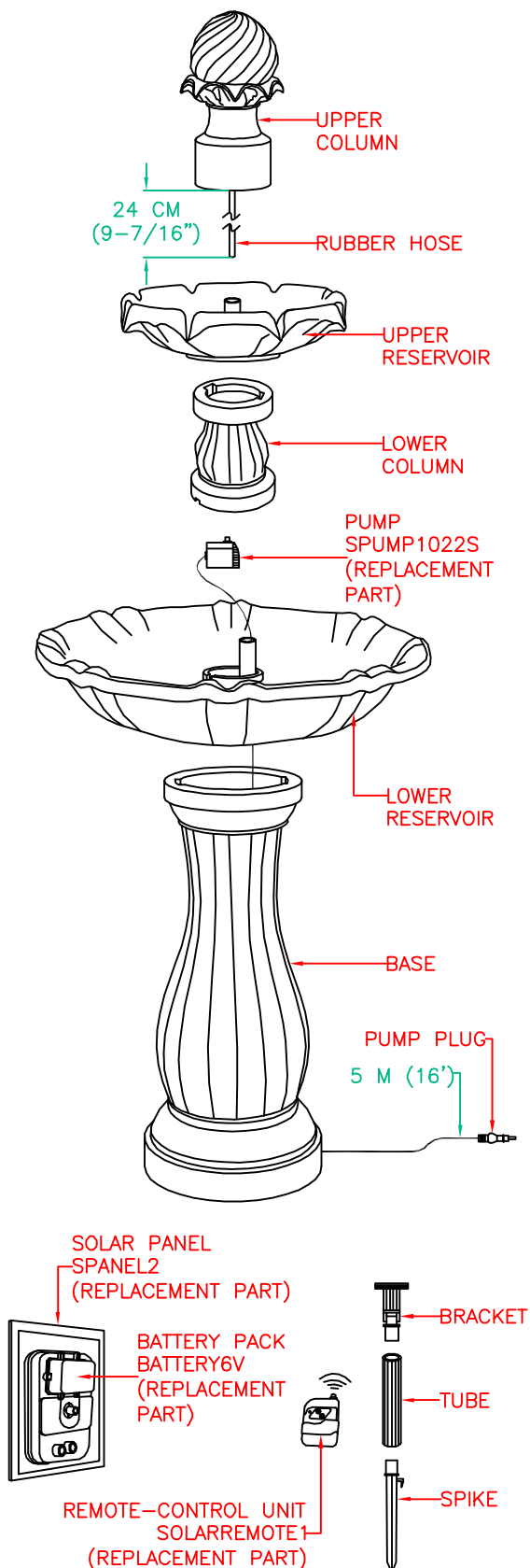
DIMS OF BOX: 68.5 CM (27") LENGTH x 50 CM (19-11/16") WIDTH x 75 CM (29-1/2") HEIGHT. (CUFT.: 9.1')

NET WEIGHT: 25.4 LBS. GROSS WEIGHT: 29.8 LBS.

THIS FOUNTAIN RATED FOR OUTDOOR USE.

AVAILABLE PARTS ARE:

SPUMP1022S (PUMP)
SPANEL2 (SOLAR PANEL)
BATTERY6V (BATTERY PACK)
SOLARREMOTE1 (REMOTE-CONTROL UNIT)



KENROY HOME
11660 CENTRAL PARKWAY
JACKSONVILLE, FL. 32224
PHONE: 904-642-4340
FAX: 904-642-4150

THIS DOCUMENT AND THE INFORMATION THAT IT DISCLOSES IS THE EXCLUSIVE PROPERTY OF KENROY HOME. ANY REPRODUCTION OR USE OF THIS DRAWING IN PART OR IN WHOLE, WITHOUT THE EXPRESS CONSENT OF THE PROPRIETOR IS PROHIBITED. © 2011 KENROY HOME.

DATE: 3/25/2011

SCALE: NONE

DRAWN BY: JAMES

REFERENCE: ARCADE OUTDOOR SOLAR FLOOR FOUNTAIN

APPROVAL:

REVISION DATE: 6/14/2011 change UPC

REVISION DATE: 7/6/2011 revise INS.

REVISION DATE: 7/22/2011 revise INS.

REVISION DATE: 8/22/2011 revise INS.

MODEL #:

50194

FINISHES:

SANDSTONE

PAGE: 1 OF 1