

Features

- Designed to fit K-99006 and K-99007 Verdera® medicine cabinets (sold separately)
- Coordinates with Damask® vanities
- Catalyzed conversion varnish provides a durable moisture-resistant finish
- Mounts directly to wall for easy installation

Material

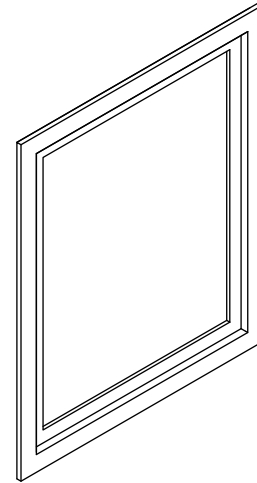
- Solid wood and veneers

Required Products/Accessories

K-99006 Medicine Cabinet
K-99007 Medicine Cabinet

Recommended Products/Accessories

K-99006 Medicine Cabinet
K-99007 Medicine Cabinet
K-23736 Furniture polish

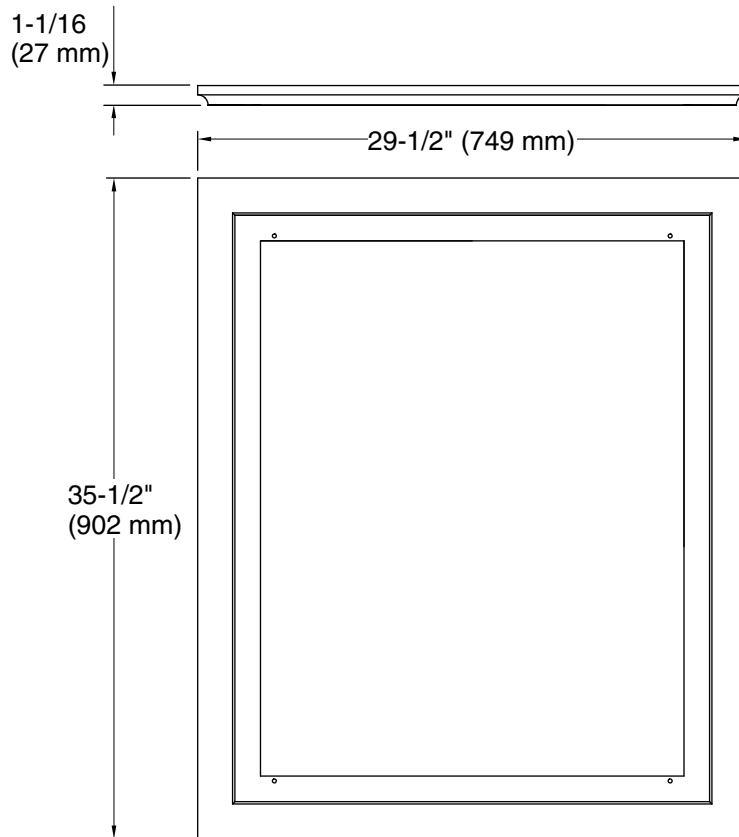


Codes/Standards

None Applicable

KOHLER® One-Year Limited Warranty

See website for detailed warranty information.



Technical Information

All product dimensions are nominal.

Notes

Install this product according to the installation guide.