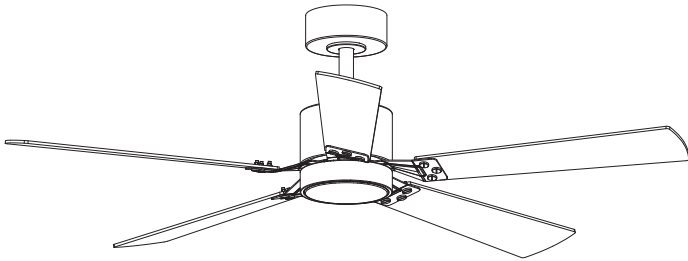


INSTALLATION & USER MANUAL

CEILING FAN WITH LIGHT



Item#40011

Customer Service: support@ceilingfanhelp.com

Light Kit/
Lampshade/
Mounting Bracket/
Canopy/
Accessory Kit

Remote Control
& Receiver

Fan Blades

Yoke Cover
Canopy Cover



Downrod-6"

Downrod-10"

Blade Bracket

Motor Assembly

Table of Contents

Table of Contents.....	3	Exploded View.....	5
Safety Information.....	3	Installation Instructions.....	6-11
Dimension Reference.....	4	Operating Instructions.....	12-22
Hardware Included.....	4	Troubleshooting Guide.....	23
Fan Parts Included.....	4	Balancing Kit.....	24

Safety Information

READ AND SAVE THESE INSTRUCTIONS.

1. To reduce the risk of electric shock, ensure the power is turned off at the circuit breaker or fuse box before installation.
2. All wiring must be in accordance with the National Electrical Code “ANSI/NFPA 70” and local electrical codes. Electrical installation should be performed by a qualified licensed electrician.
3. Make sure the outlet box and support structure are securely mounted and rated to safely support a fan weighing up to 35 lbs (15.9 kg); this fan must be installed on a UL-listed outlet box clearly marked “Acceptable for Fan Support of 35 lbs (15.9 kg) or less.” If you are unsure about safety or compatibility, please consult a qualified electrician.
4. Do not place objects in the path of the blades.
5. To clean the fixture, turn off the power, wait for it to cool, and wipe the fixture with a clean, soft cloth.
6. After making electrical connections, spliced conductors should be turned upward and carefully pushed into the outlet box. The wires should be spread apart with the grounded conductor and the equipment-grounding conductor on one side of the outlet box and ungrounded conductor on the other side of the outlet box.
7. All set screws must be checked and retightened where necessary before installation.



WARNING: To reduce the risk of electric shock or fire, do not use this fan with any solid-state fan speed control device. Such use will permanently damage its electronic circuitry.



WARNING: To reduce the risk of personal injury, do not bend the blade brackets during installation, blade balancing, or fan cleaning.



WARNING: To reduce the risk of fire, electric shock or personal injury, mount to outlet box marked “acceptable for fan support of 35 lbs. (15.9 Kg) or less” and use screws provided with the outlet box.



WARNING: To avoid possible electrical shock, turn the electricity off at the main fuse box before wiring.



WARNING: To reduce the risk of electrical shock, this fan should not be installed with an isolating wall control or switch, as it may cause incompatibility issues.



CAUTION: To reduce the risk of personal injury, use only the screws provided with the outlet box.



CAUTION: Please use carefully when working around or cleaning the fan to avoid injury or damage to the fan.

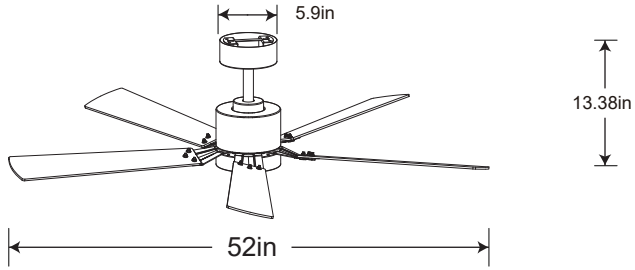


CAUTION: The fan must be mounted with a minimum of 7 ft (2.1 m) clearance from the trailing edge of the blades to the floor.






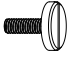





CAUTION: Changes or modifications not expressly approved by the party responsible for compliance could void the user’s authority to operate the equipment.

Dimension Reference



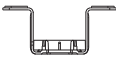

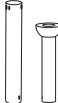

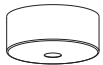






Hardware Included

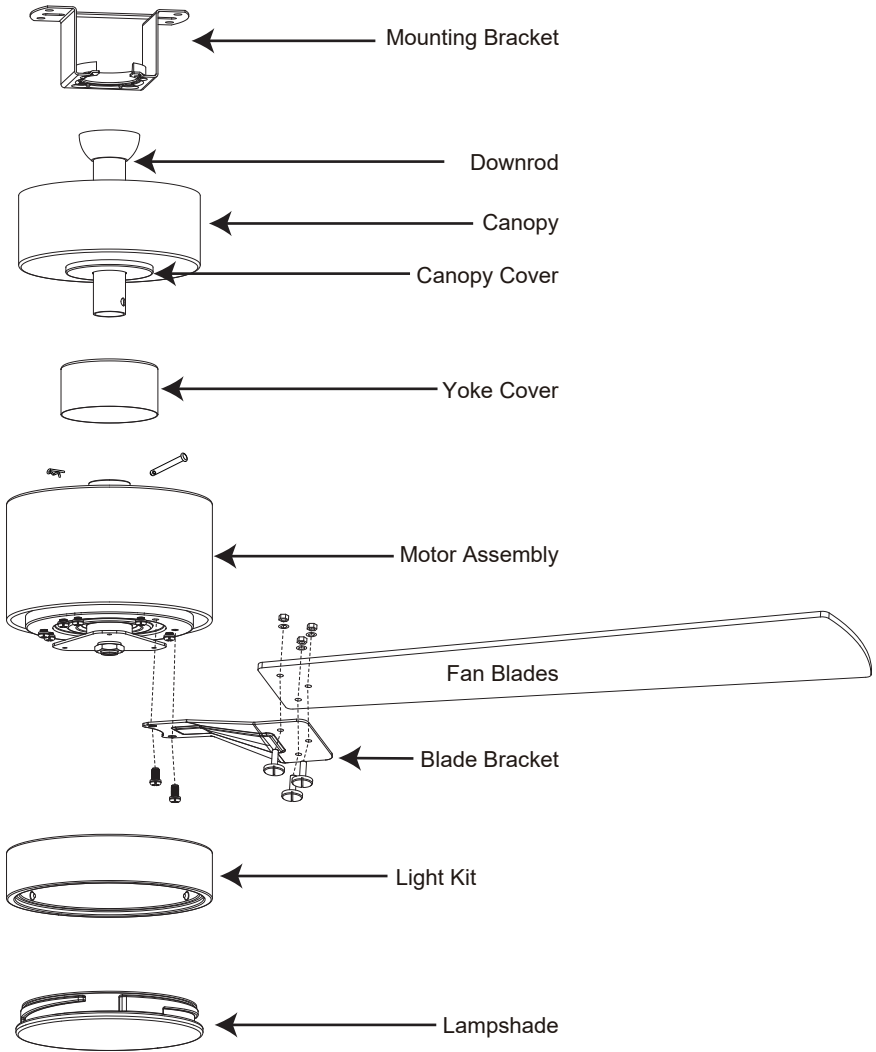
	S1		S3		S4		S5		S6		S7		S8		S9		
	S2																

Hardware Package	Quantity
S1. J-Box Screw	2
S2. Self-Tapping Screw	4
S3. Washer	4
S4. Spring Washer	4
S5. Wire Nut	3
S6. Balance Kit	1+3
S7. Slotted Screw	16
S8. Nut	16
S9. Paper Gasket	16

Fan Parts Included

	1		6	Item Name	Quantity
	2		7	1. Remote Control & Receiver	1
	3		8	2. Mounting Bracket	1
	4		9	3. Downrod (6" + 10")	2
	5		10	4. Canopy	1
	11			5. Canopy Cover	1
				6. Yoke Cover	1
				7. Motor Assembly	1
				8. Blade Bracket	5
				9. Light Kit	1
				10. Lampshade	1
				11. Fan Blades	5

Exploded View

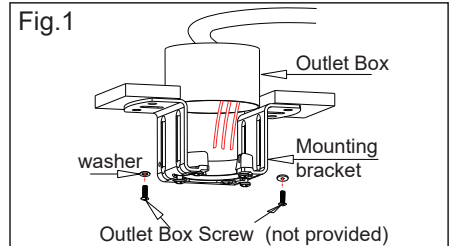


Installation Instructions

Step1 Installing the Mounting Bracket

WARNING: To Reduce The Risk Of Fire, Electric Shock, Or Personal Injury, Mount To UL/CSA Listed Outlet Box Marked Acceptable for Fan Support And Use Mounting Screws Provided With The Outlet Box.

- Locate ceiling joist where fan is to be mounted, being sure location agrees with the requirements in the minimum clearance section of this guide. Wood joists must be sound and of adequate size to support 70 pounds (See page 2, items 3 and 4).



Step2 Hanging the Fan

- Take out the fan downrod. Remove the cotter pin and the downrod pin from the downrod. (Fig.2-1)
- Slide the downrod through the canopy, canopy cover, and yoke cover. (Fig.2-2)
- Carefully feed the motor lead wires and the safety cable from the fan through the downrod. Insert the downrod pin through the holes in the mounting collar and the downrod, then insert the cotter pin into the hole at the end of the downrod pin to secure it. (Fig.2-3)
- Secure the downrod in position by tightening the jam screws. (Fig.2-4)
- Slide the yoke cover down until it sits flush with the motor housing.

CAUTION: To ensure wobble-free operation and to avoid damage to the fan, the downrod and the jam screws must be tightened completely.

Fig.2-1

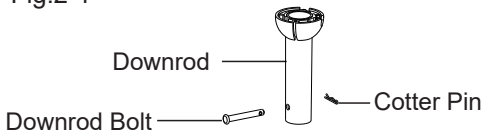


Fig.2-2

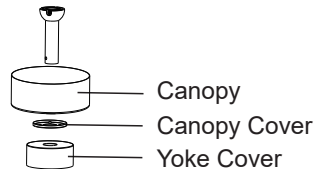


Fig.2-3

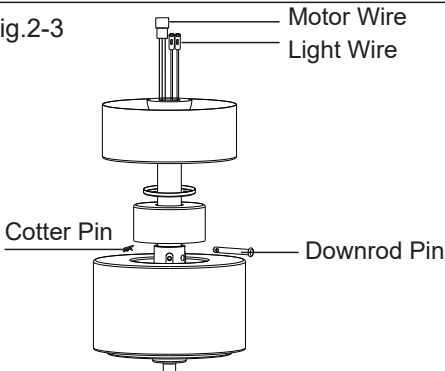
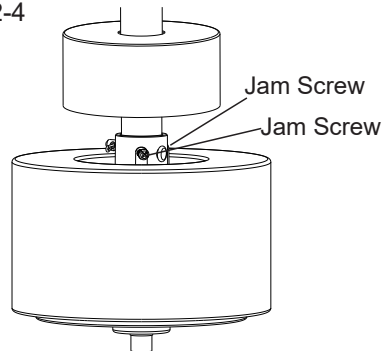


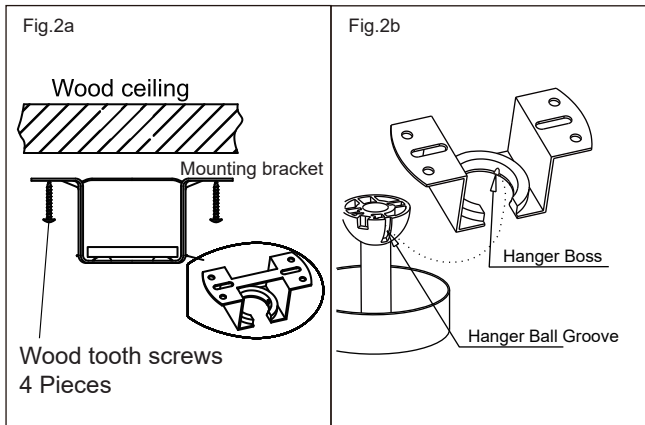
Fig.2-4



Installation Instructions

Step3 Installing Mounting Bracket

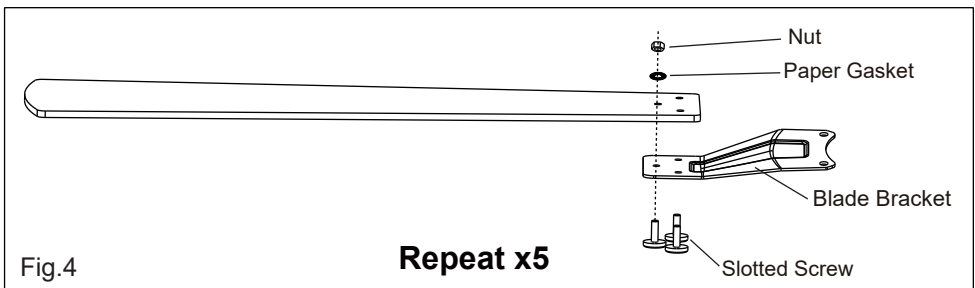
- Choose expansion screws or wooden screws for installation based on the material of the roof. If the weight of the hanging bell exceeds 15KG, at least 4 screws need to be installed to fix the hanger during installation.
- Lift the fan motor assembly into place, then insert the hanger ball into the mounting bracket. Rotate the downrod until the groove locks into the registration slot. If seated correctly, the downrod should no longer rotate.



WARNING: To reduce the risk of fire, electric shock, or personal injury, mount to a UL/CSA-listed outlet box marked “Acceptable for Fan Support” and use the mounting screws provided with the outlet box.

Step4 Installing the Blades

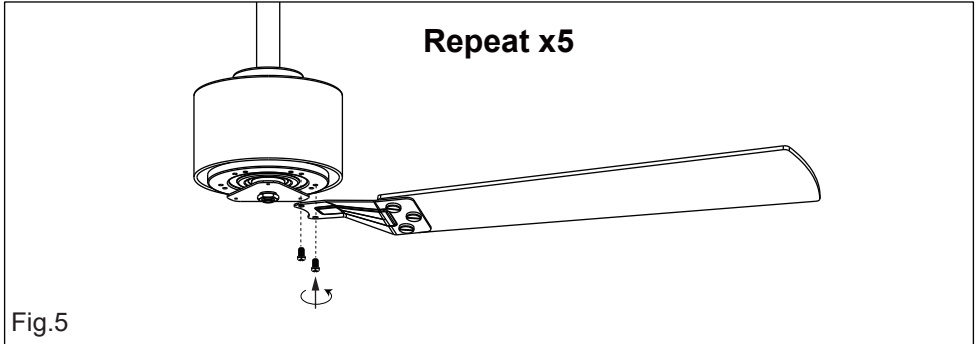
- Remove the fan blades, blade brackets, screws, and nuts from the package and install all fan blades as shown.



Installation Instructions

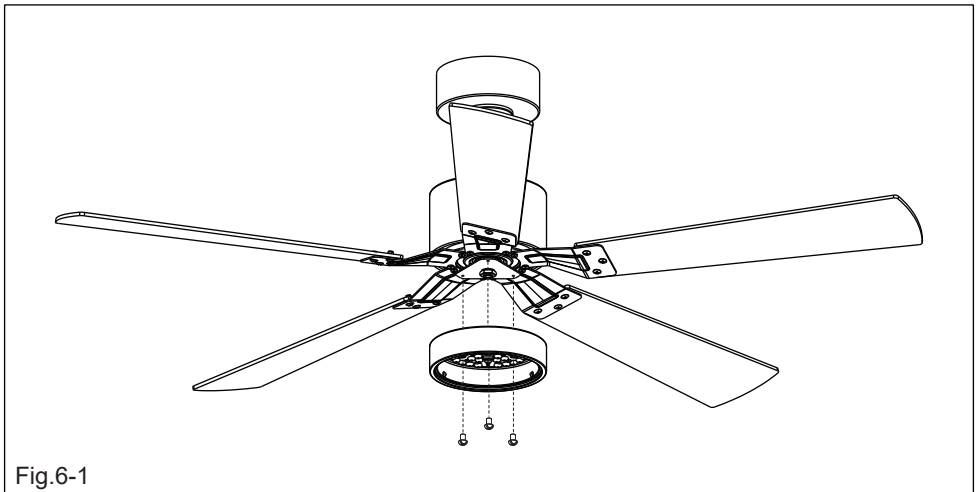
Step5 Installing the Blade Assembly onto the Motor

- As shown in the diagram, secure the component depicted in Fig.5 to the motor using screws. Be sure to tighten the screws.

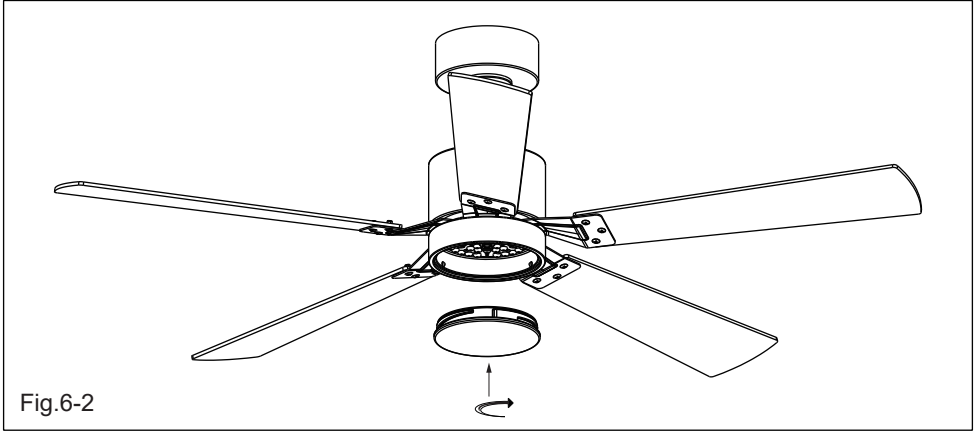


Step6 Assembling the Lamp Housing

- Feed the wire through the center hole of the lamp housing
- Fix the lamp housing with screws.
- Connect the motor end plug to the light source end socket.
- Install the lampshade to the lamp housing by turning clockwise to lock it into place.(Fig.6-2)

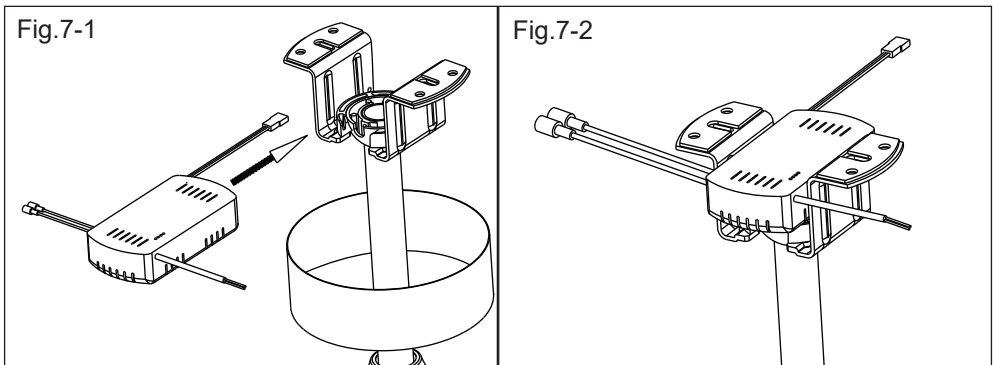


Installation Instructions



Step7 Installing the Receiver

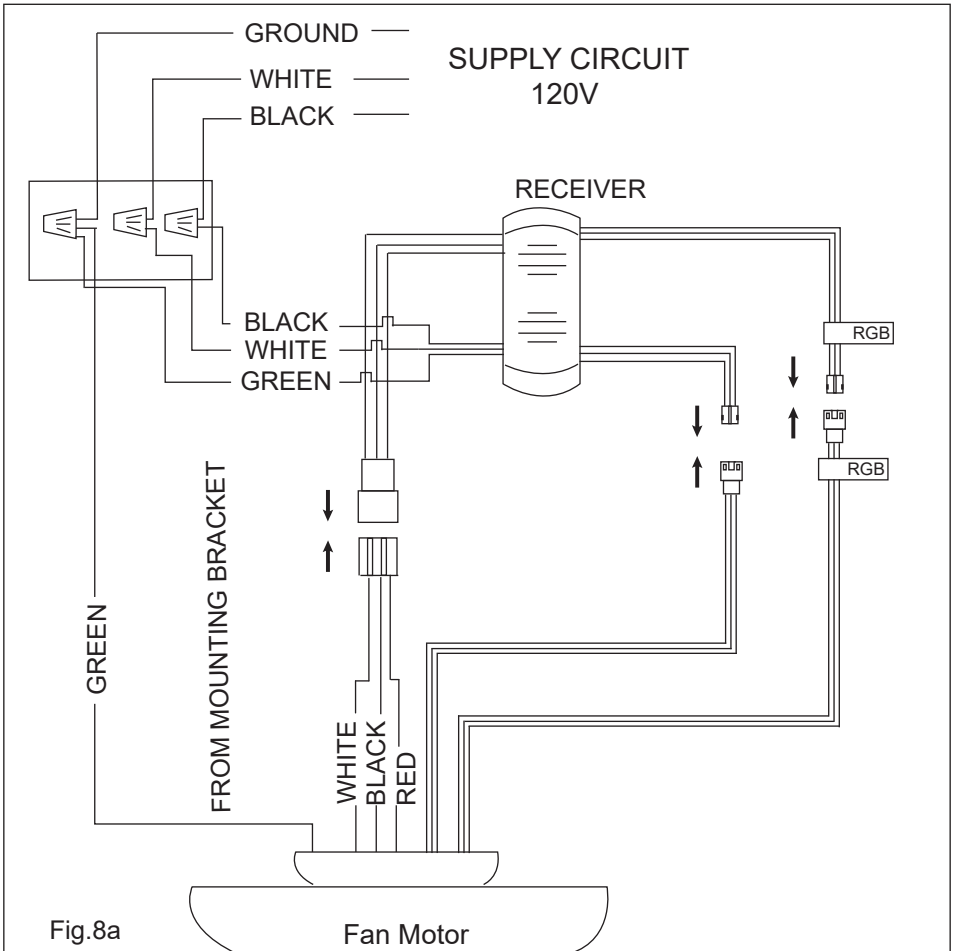
- Place the receiver inside the mounting bracket as shown.
- Ensure the antenna is positioned away from the metal bracket to prevent signal interference.
- Do not pinch or damage any wires when positioning the receiver. (See Fig.7-1 and Fig.7-2)



Installation Instructions

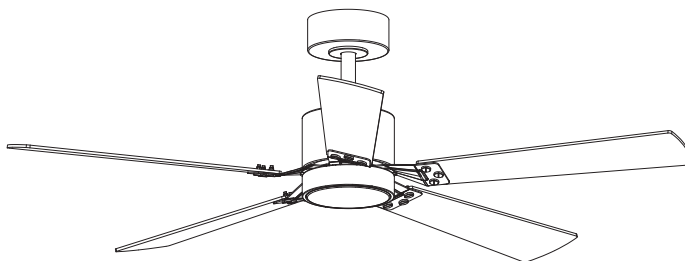
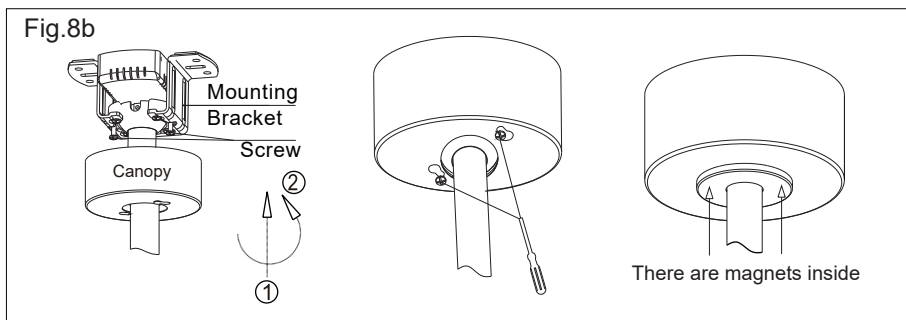
Step8 Wiring the Fan

- Connect the wires according to the wiring diagram.



Installation Instructions

- Slide the canopy up and secure it to the mounting bracket with the provided screws. Ensure all screws are tightened securely. Push the canopy cover up to the top.



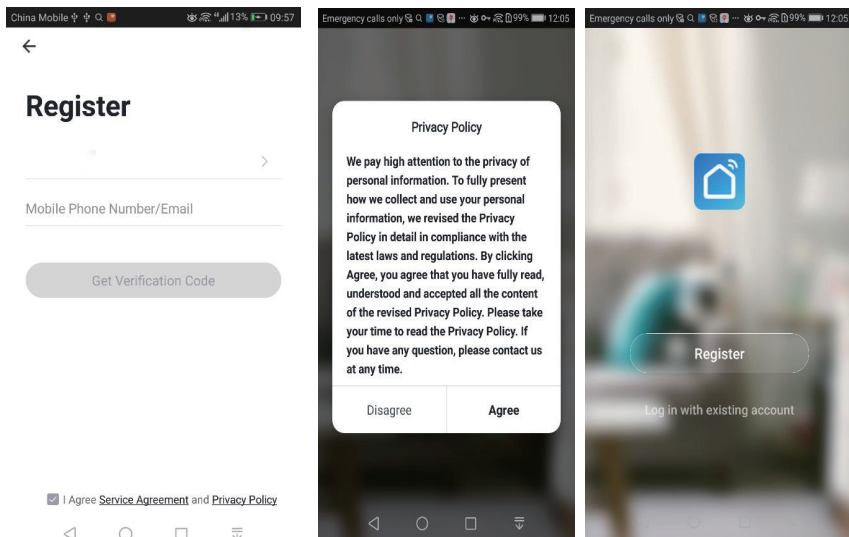
CONGRATULATIONS!
YOU HAVE COMPLETED THE INSTALLATION

1.Tuya WiFi Fan With Light App Instructions

1.1. Download and install App



1.2.Register/Login/Forget password



Operating Instructions

1.3. Device configuration and control

Turn on Bluetooth on your phone. Then connect the device to a power source and confirm that it is functioning properly (the light should turn on slowly).

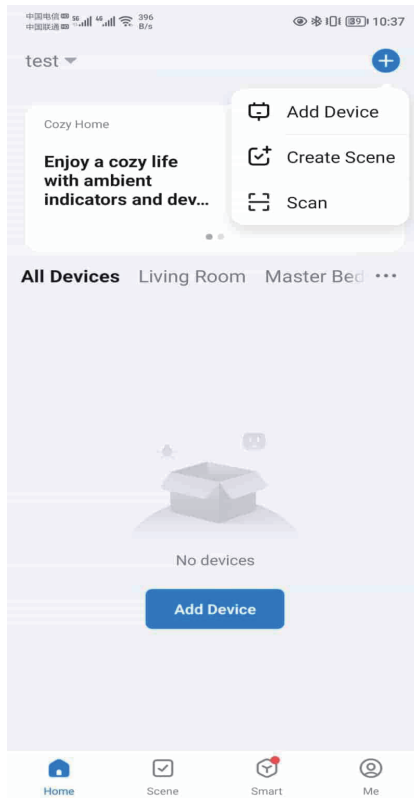
Turn the power ON and OFF three times in the following sequence:

ON → OFF → ON → OFF → ON

(Leave the power ON for 2–3 seconds and OFF for 5–10 seconds each time.)

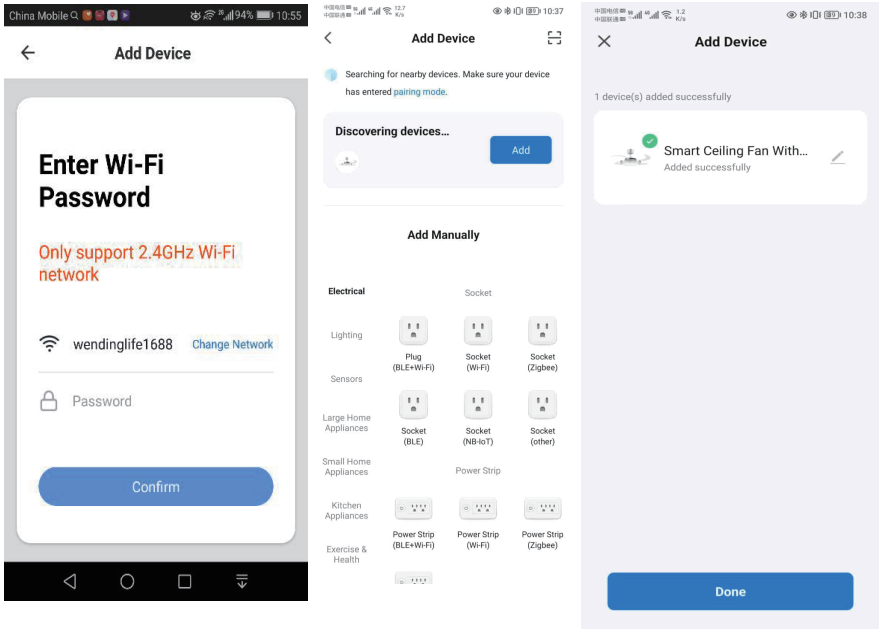
This will put the device into pairing mode. The main light will begin to flash to indicate it's ready.

Open the Smart Life app, tap the “+” icon in the upper right corner, and select “Add Device.” The app will automatically search for available devices.

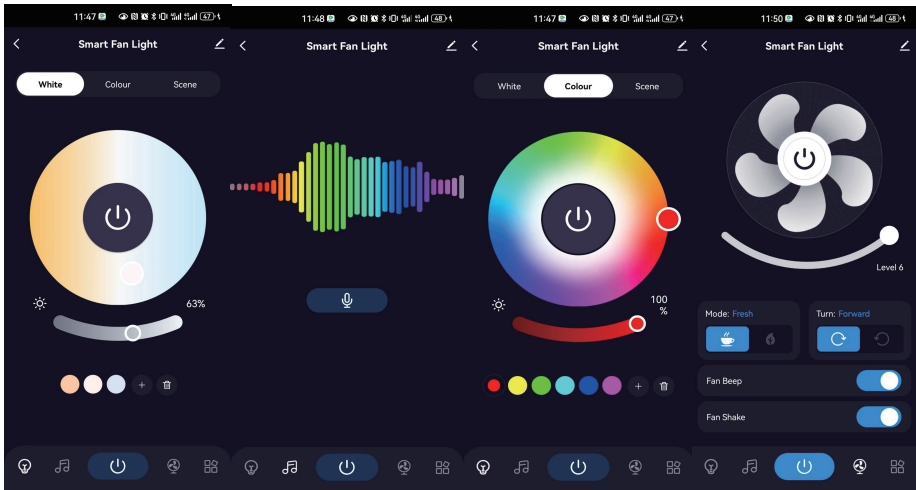


Operating Instructions

1.4. After the App scans the device, click Add to bind the device, then enter your router password: Note: Only support 2.4GHz WiFi network.



1.5. Click Done to enter the device control page.



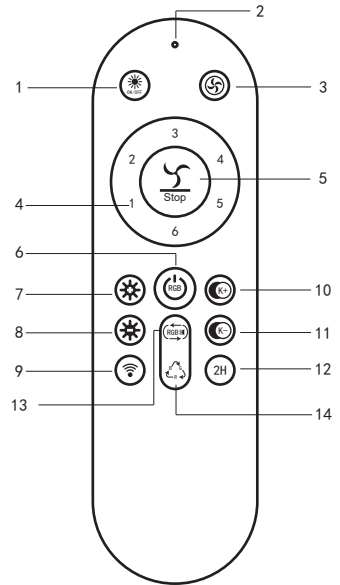
Operating Instructions

2.Remote Control Instructions

FUNCTION INSTRUCTION OF EMITTER

Open the battery cover on the handheld remote and install two AAA (1.5V) batteries (not included).

- 1.Light Switch
- 2.Signal Indicator Light
- 3.Reverse / Forward
- 4.Fan Speed (1–6)
- 5.Fan Stop
- 6.RGB Switch
- 7.Brightness +
- 8.Brightness –
- 9.Distribution Network
- 10.Temperature +
- 11.Temperature –
- 12.2H Timer
- 13.RGB Mode Switching
- 14.RGB Color Switch



Pairing Instructions

Turn on the power switch. Within 3 seconds, press and hold the Light On/Off button until you hear a “Beep”. If pairing fails, turn off the power and wait one minute, then repeat the steps.

Clear Pairing Method

Press and hold both the Light On/Off button and the Brightness – button after the fan is powered on.

If the remote control is not functioning properly, please check the battery installation. Replace batteries if they are low or if the remote has not been used for a long period.

- Button 1 Short press to turn the light on/off.
- Button 2 Signal Indicator Light.
- Button 3 Short press to change the fan rotation direction.
- Button 4 Short press to cycle through speeds 1-6.
- Button 5 Short press to turn off the fan.
- Button 6 Short press will activate the RGB switch.
- Button 7 Short press to increase brightness.
- Button 8 Short press will reduce the brightness.
- Button 9 Short press to control network connection
- Button 10 Short press to increase colour temperature.
- Button 11 Short press to decrease brightness
- Button 12 Short press to set timer for 2 Hours.
- Button 13 Short press switches to RGB cycle mode.
- Button 14 Short press switches between RGB colours.

3. Works with Amazon Alexa

3.1. Configure Amazon Echo and enable Smart Life skill

Download the Alexa mobile App:

Log in to the App Store with Apple ID registered in the United States, and search and download Amazon Alexa for iOS.

Go to Google Play, and search and download Amazon Alexa for Android.

This section describes how to configure Amazon Echo in the Alexa mobile app. The configuration procedure is similar for the Alexa web application.

3.2. Configure Amazon Echo in Alexa mobile app

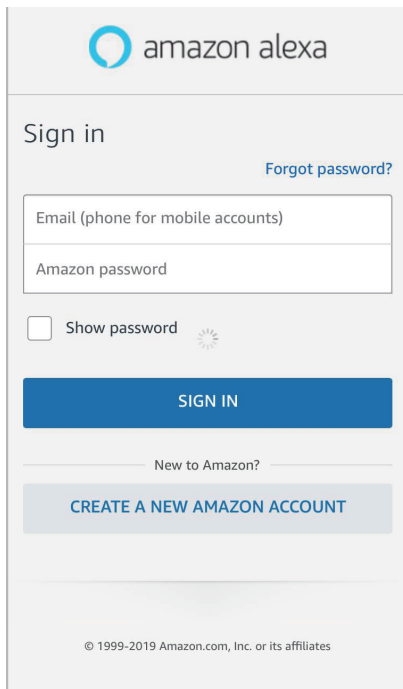
Prerequisites:

The Echo is powered on.

The Echo is connected to a Wi-Fi network over which Amazon services are accessible.

Procedure:

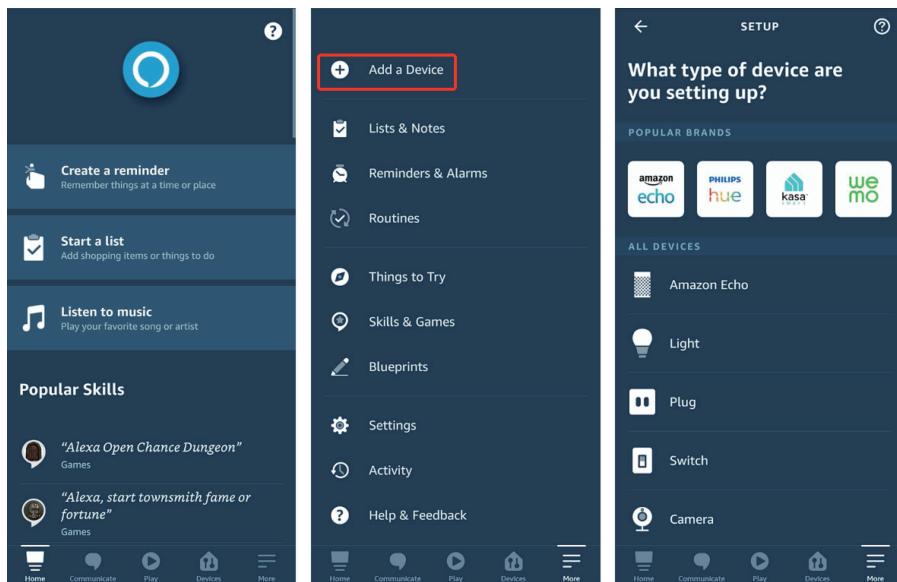
1. Open the Amazon Alexa app.
2. Enter the Amazon account and password, and tap SIGN IN.



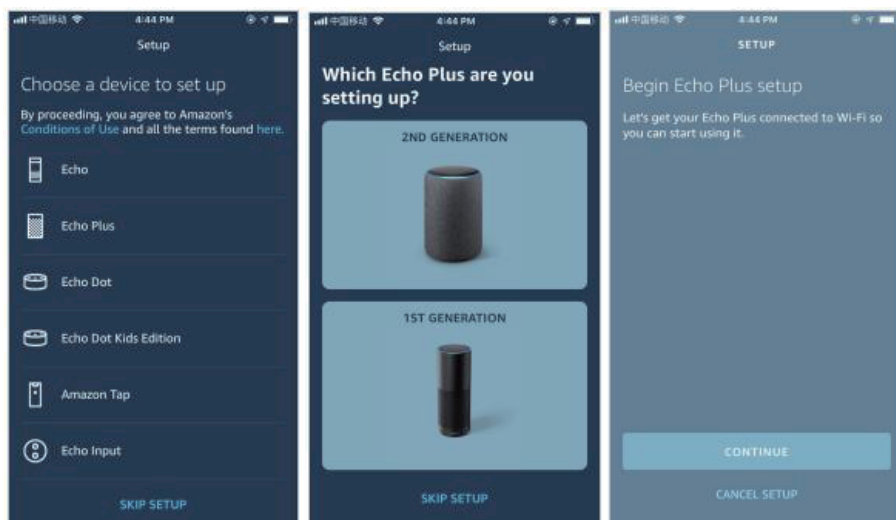
The screenshot shows the Amazon Alexa mobile app's sign-in interface. At the top, the Amazon Alexa logo is displayed. Below the logo, the text "Sign in" is centered, with a blue link "Forgot password?" to its right. There are two input fields: "Email (phone for mobile accounts)" and "Amazon password". Below the password field is a checkbox labeled "Show password" with a small circular icon to its right. A large blue button labeled "SIGN IN" is positioned below the input fields. At the bottom, there is a link "New to Amazon?" and a light blue button labeled "CREATE A NEW AMAZON ACCOUNT". The footer contains the copyright notice "© 1999-2019 Amazon.com, Inc. or its affiliates".

Operating Instructions

3. After successful login, in the bottom right corner of the Home page, tap More > Add a Device, and on the SETUP page that appears, select the Amazon Echo brand.

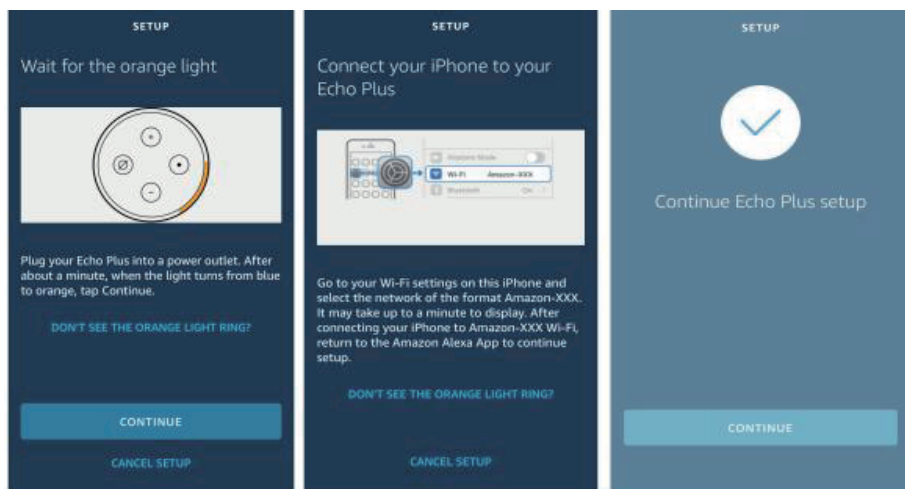


4. Select your Echo device type and tap CONTINUE to configure Echo.

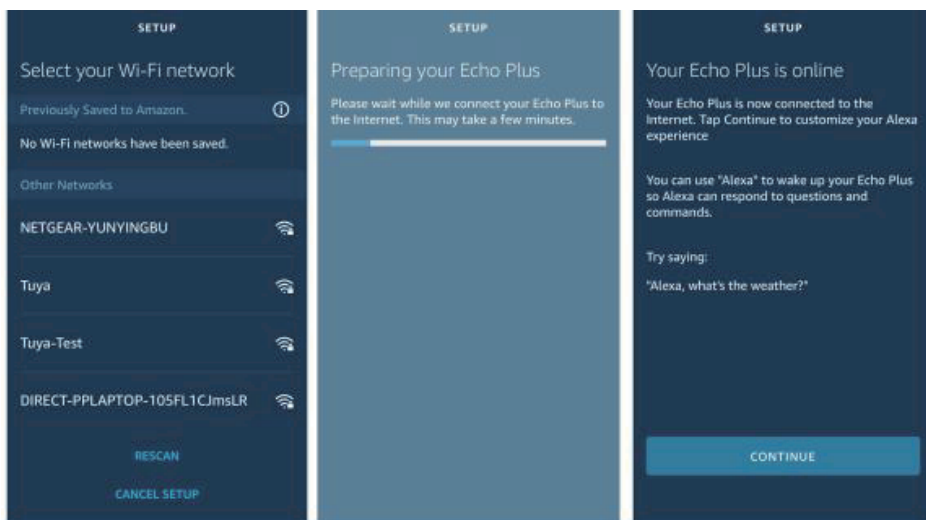


Operating Instructions

5. When the page Wait for the orange light appears, press and hold the action button until the light ring turns orange. Tap CONTINUE to connect the mobile phone to the hotspot of the Echo, and tap CONTINUE.

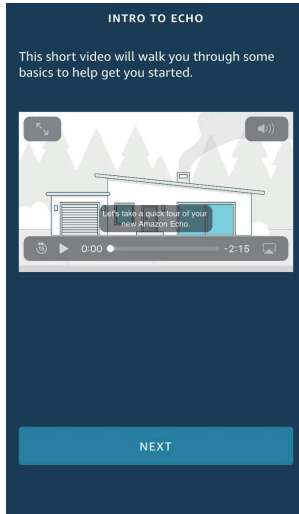


6. Select a Wi-Fi network to which the Echo will be connected, Enter the Wi-Fi password and tap CONNECT. It takes several minutes for the Echo to successfully connect to the Wi-Fi network.

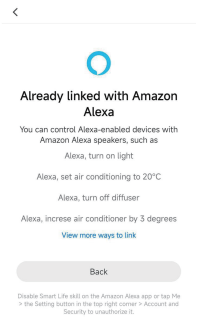
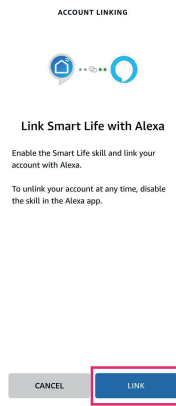
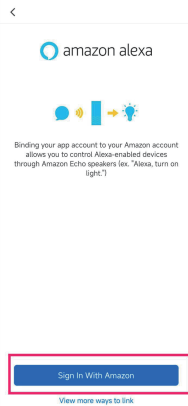
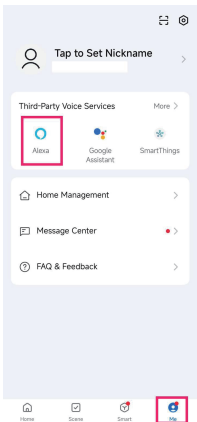


Operating Instructions

7. Then, tap CONTINUE. A video walkthrough appears to help get you started. At the end of the video, tap NEXT to navigate to the Home page of Alexa. Now, the Echo is configured.

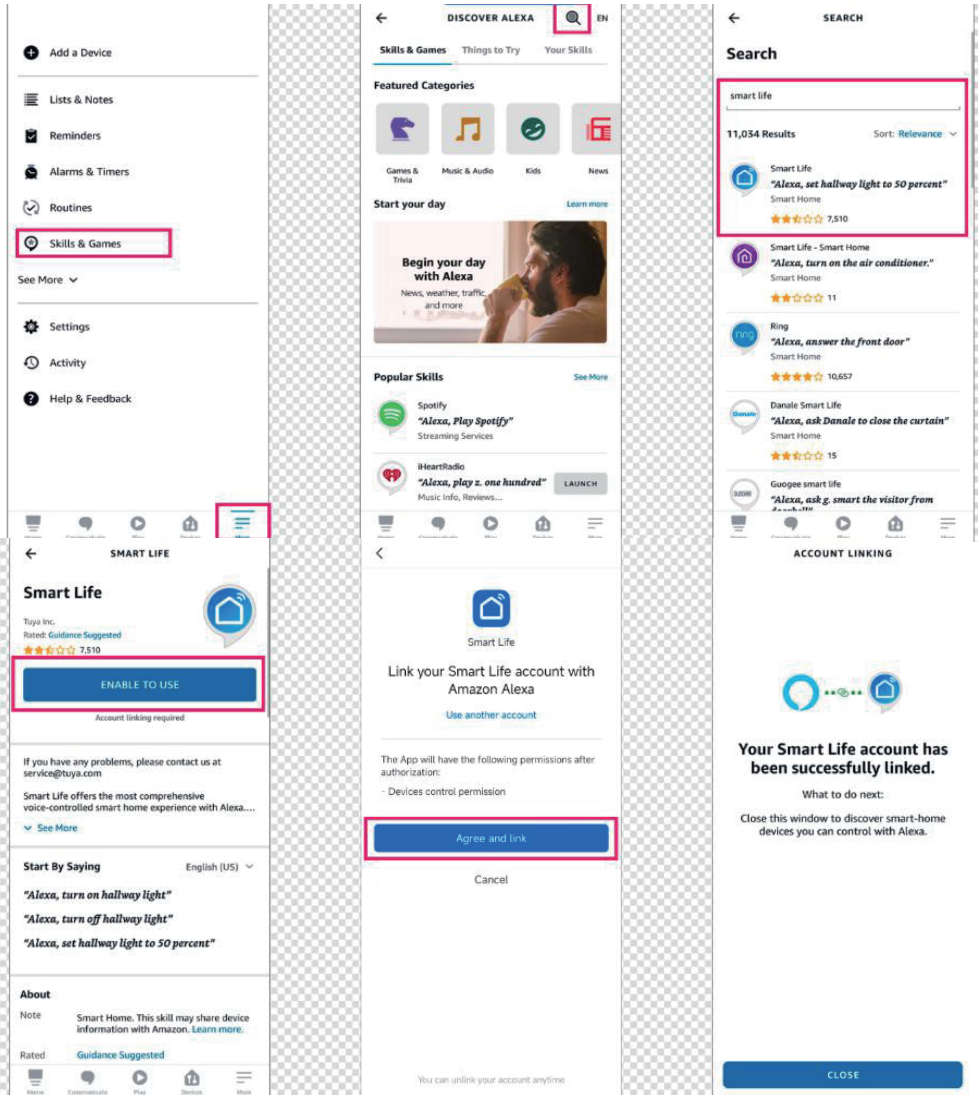


3.3. Bind Smart Life app with Alexa Method 1: Use Smart Life app to start binding



Operating Instructions

Method 2: Use Alexa app to start binding

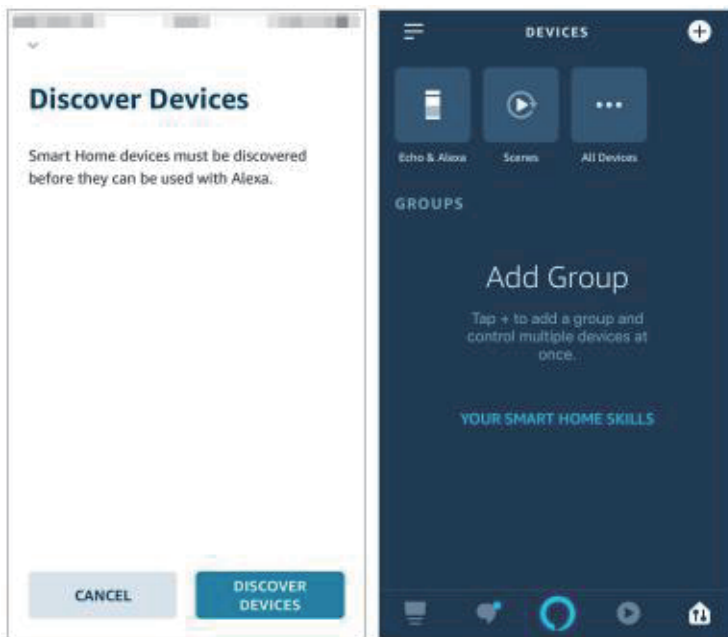


3.4. Use Echo to control smart device

The Echo needs to discover a device before it can control the device. The device discovery page automatically appears after the Smart Life skill is bound. Tap DISCOVER DEVICES to search for devices. You can also say to the Echo: "Alexa, discover devices." Then, the Echo starts searching for smart devices that are paired with the Smart Life app, The Echo reports the search result about 20 seconds later and the Alexa app displays the discovered devices in a list.

NOTE:

You can use the DISCOVER DEVICES feature to discover only the devices that have been added to the Smart Life app. Other unpaired devices cannot be discovered and added to the Echo. If a device is renamed in the Smart Life app, the Echo must discover the device again. Otherwise, it cannot control the device.



3.5. Use voice commands to control device

Now, you can use the following commands to control a device, such as a bedroom light:

Alexa, turn on/off Fan light. (turn on or off the device) percent. (set the brightness)

Alexa, brighten/dim Fan light. (increase or decrease the brightness)

Alexa, set Fan light to red /green/blue.(set the color)

Alexa, set Fan light to warm white.(set the color temperature)

Alexa, turn on/off Fan.(turn on/off the fan)

Operating Instructions

4.Works with Amazon Google Home

4.1.Download Google Home app

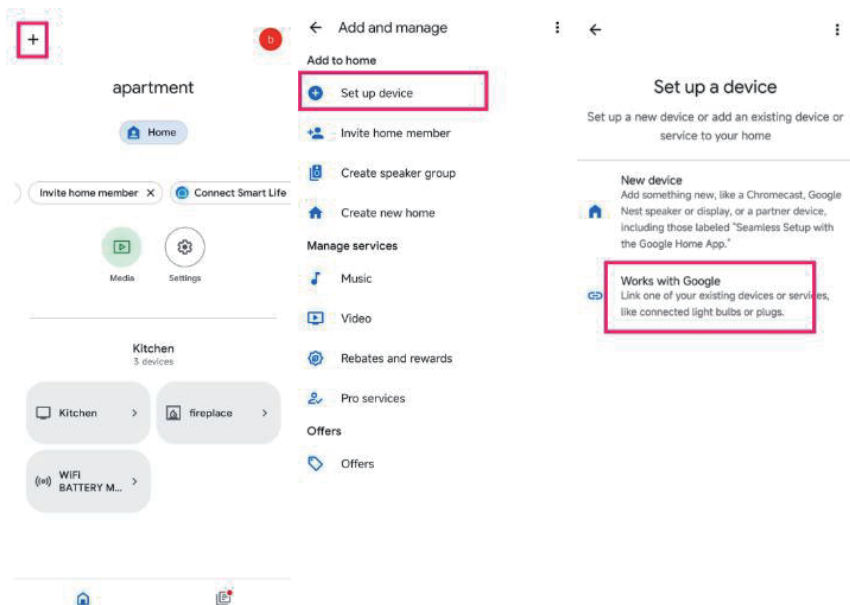
Log in to the App Store with Apple ID registered in the United States, and search and download Google Home for iOS.

Go to Google Play, and search and download Google Home for Android.

4.2.Link account of Smart Life app

Method 1: Use Google Home app to start linking

- 1.Open the Google Home app and tap + in the top left corner of the homepage.
- 2.Select Set up device > Works with Google.
- 3.Tap the Search icon in the top right corner of the page, and search by Smart Life app name.
- 4.Tap the searched result and then Continue. The Google Home app will wake up the Smart Life app. Tap Agree and link and wait to the end of loading, This way, the Smart Life app is linked with the Google Assistant.



Troubleshooting Guide

If you have difficulty operating your new ceiling fan it may be the result of incorrect assembly, installation, or wiring. In some cases these installation errors may be mistaken for defects. If you experience any faults please check this troubleshooting guide.

	Problem	Suggested Remedy
1	If fan does not start.	<ul style="list-style-type: none"> <input type="checkbox"/> Check the main and branch circuit fuses or breakers. <input type="checkbox"/> Check the line wire connections to the fan and switch wire connections in the switch housing. <input type="checkbox"/> Check the battery in the remote control. <input type="checkbox"/> Ensure you are in the normal range of 10-20 feet.
2	If fan sounds noisy.	<ul style="list-style-type: none"> <input type="checkbox"/> Ensure all motor housing screws are snug. <input type="checkbox"/> Ensure the screws that attach the fan blade bracket to the motor hub are tight. <input type="checkbox"/> Ensure the wire nut connections are not rattling against each other or the interior wall of the switch housing. <input type="checkbox"/> Allow a 24-hour "breaking in" period. Most noises associated with a new fan disappear during this time. <input type="checkbox"/> If you are using the Ceiling Fan light kit, ensure the screws securing the glassware are tight. Check that the light bulbs are also secure. <input type="checkbox"/> Ensure the canopy is a short distance from the ceiling. It should not touch the ceiling. <input type="checkbox"/> Ensure your outlet box is secure and rubber isolator pads were used between the mounting plate and outlet box.
3	If fan wobbles.	<ul style="list-style-type: none"> <input type="checkbox"/> Check that all blades are screwed firmly into blade holders. <input type="checkbox"/> Check that all blade holders are tightened securely to motor. <input type="checkbox"/> Make sure that canopy and mounting bracket are tightened securely to ceiling junction box and junction box is mounted firmly to ceiling joist. <input type="checkbox"/> Most fan wobble problems are caused when blade levels are unequal. Check this level by selecting a point on the ceiling above the tip of one of the blades keeping measure within 1/8 in. Rotate the fan until the next blade is positioned for measurement. Repeat for each blade. If all blade levels are not equal you can adjust blade levels by the following procedure. To adjust a blade tip down insert a washer (not supplied) between the blade and blade holder at the screw closest to the motor. To adjust a blade tip up insert washer (not supplied) between the blade and blade holder at the two screws farthest from the motor. <input type="checkbox"/> If blade wobble is still noticeable interchanging two adjacent (side by side) blades can redistribute the weight and possibly result in smoother operation.
4	If light does not work.	<ul style="list-style-type: none"> <input type="checkbox"/> Check blue wire from fan to make sure it is connected to hot wire from the house. <input type="checkbox"/> Check for loose or disconnected wires in fan switch housing. <input type="checkbox"/> Check for loose or disconnected wires in light kit. <input type="checkbox"/> Check for faulty light bulbs. CAUTION: Make sure main power is turned off before entering switch housing. <input type="checkbox"/> If the fan light shuts off shortly after being switched on it may be due to excessive current demand. Turn off power to the fan and replace the light bulbs with lower wattage bulbs. Turn on power to the fan using the pull chain, wall switch, or remote control (whichever is installed on the particular fan).

Balancing Kit

Use the balancing kit only if excessive fan wobble persists after completing all steps under “Attaching the Fan Blades” in this manual.

1. Turn on the fan and set it to the speed where the wobble is most noticeable.
2. Turn off the fan and allow it to come to a complete stop. Select one blade and place the balancing clip halfway between the blade holder and the tip, on the trailing edge.
3. Turn the fan back on and observe whether the wobble has increased or decreased. Repeat the test on each blade, noting which one shows the most improvement.
4. Move the clip back to the blade that showed the greatest improvement. Adjust the clip’s position slightly inward and outward along the blade to find the optimal location.
5. Remove the clip and attach a balancing weight to the top of the blade, near the clip position, along the centerline.
6. If the wobble persists, you may further improve the balance by using the clip and additional weights.

