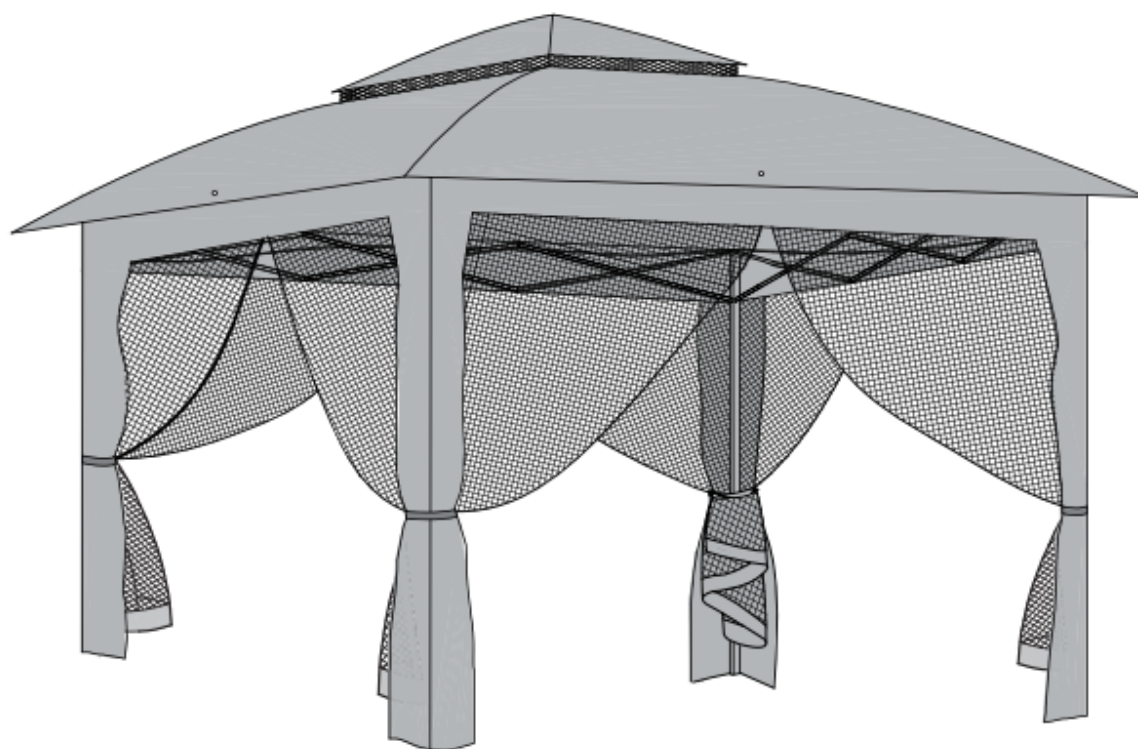


# canopy

Product ID. 7AFPU



Scan for Support  
[support@garvee.com](mailto:support@garvee.com)



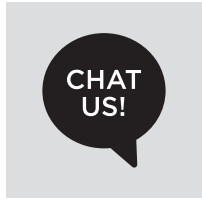
Distributed by  
**GARVEE**.com

# CONTENTS

<b>01</b>	HELP CENTER	1
<b>02</b>	WARNING	2
<b>03</b>	MATERIAL LIST	3
<b>04</b>	INSTALLATION STEPS	4-10

# HELP CENTER

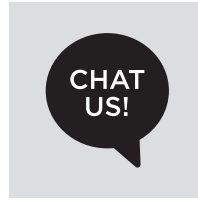
Question about your product? We're here to help. Visit us at:



Chat Support



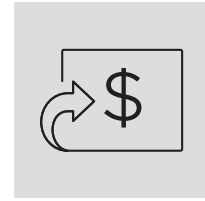
Product Inquiry



Orders FAQ



Product Assembly



Returns & Refunds

## We Stand Behind the Quality of Their Furniture

If you have any issues with your item please let us know! We will always do our best to come up with a solution that you will be happy with. Please get in touch with our customer service team before returning the product. And Please do not throw away the original box(es) if you have not finished assembling or confirmed that there are no quality issues. Length of return period:

Items can be returned within 30 days of purchase.

In the meanwhile, everything you purchased from us comes with a one-year warranty.

Who is responsible for the return shipping fee:

We will cover the return shipping fees if:

1. Your item has a manufacturing defect in its materials or workmanship. For example, torn wicker or misaligned screw holes. We will send you a prepaid shipping label after photos are sent.
2. Your item was damaged in transit. For example, glass is broken or wicker is damaged. We will send you a prepaid shipping label after photos are sent.
3. You receive the wrong box(es) due to a warehouse error. We will send you a prepaid shipping label after photos are sent of the wrong SKU numbers on the outer box(es).
4. One or more boxes are lost in transit. We will send you a prepaid shipping label if you no longer want the item.

\* However, we still hope to work with you for a better solution instead of a return. Please don't hesitate to contact our customer service team.

Customer will cover the return shipping fees if:

1. You don't like the product(s) after receiving the box(es).
2. You no longer need the product(s) but you have received the box(es),
3. You buy the product(s) by mistake but you have received the box(es).
4. Order/shipment cancellation failed and you have received the box(es).

## Return Request

In order to get a full refund as described in this return policy, all items must be:

(1) In a brandnew/unused condition, please provide photos before and after packaging.

(2) When returning, all accessories and parts are firmly packed in all original packaging. If your return does not meet the requirements, you may not get a full refund.

When will I be refunded?

The refund is released once the goods have been returned to our warehouse.

What if the product is damaged/defective outside of the valid return period?

We want you to be a happy customer. Please reach out to us by email and we will come up with a solution to make sure you are satisfied.

## WARNING

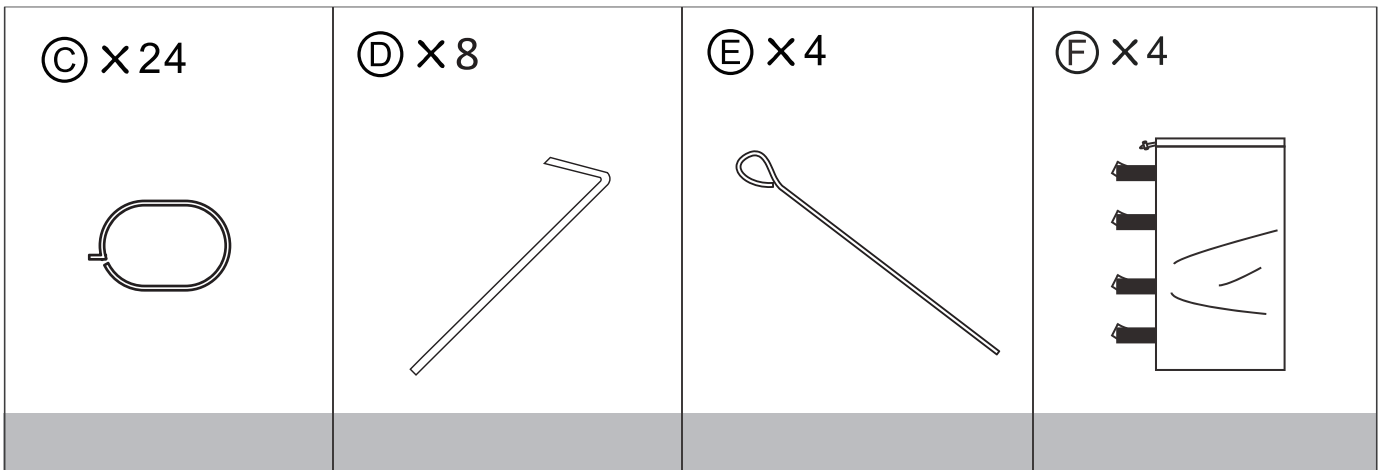
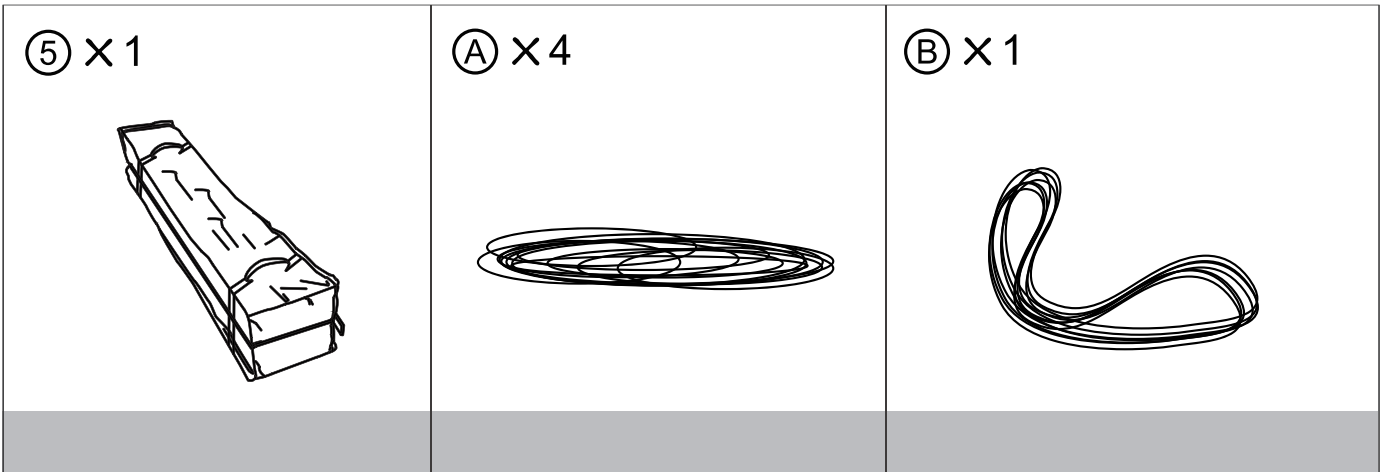
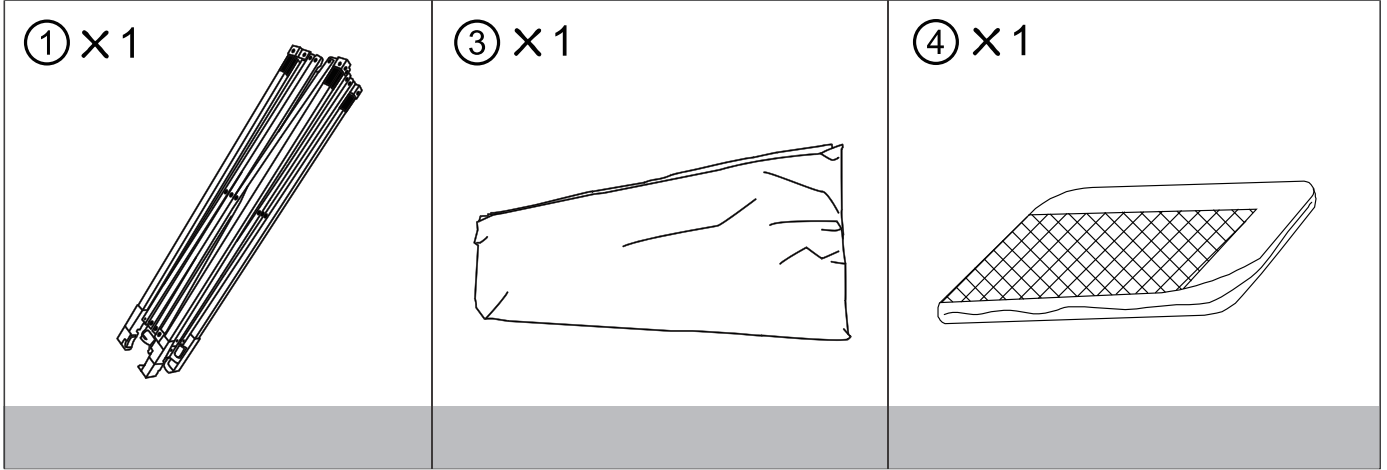


1. Two or more people are required for assembly.
2. A ladder and electric drill may be necessary.
3. Do not erect the structure in heavy wind or inclement weather.
4. Do not leave up this unit for extended periods of time, as it is not a permanent structure or designed to withstand sustained wind or rain. It is a temporary, portable shelter that shields you from sunlight and rain. The screens also block flying insects.
5. Do not use candles, matches, or any open flame near the tent.
6. To better align the screws for practical situations, do not fully tighten screws initially.
7. Professional installation is highly recommended

- In case of windy weather, please do not stand in the gazebo.
- Please do not stand under the gazebo in case of heavy snowfall.
- For safety, please use expansion screw to reinforce the posts to the ground.
- In windy weather, please tighten the fence and netting to avoid tearing in high winds.
- In extreme weather condition, you can use a rope to pull the four corners of the gazebo to keep it stable.
- Please clear the snow off the roof in time for the heavy snowfall.
- Make sure all screws are tightened before use.
- Check all screws, buckles and straps every 90 days.
- Please keep all screws loose during the assembly process and tighten them after completing the installation.
- Do not use or store next to a pole with open flame or flammable chemical.
- Please note that some parts have sharp edges and should be handled with gloves.
- If any parts are missing, broken, damaged or worn, stop using the product until repairs are made or factory replacement parts are installed.
- Installation of the product in a manner that does not conform to the manufacturer's may result in the loss of the warranty policy for this product.
- Consult your local authorities to check if permits are required to erect the shed.

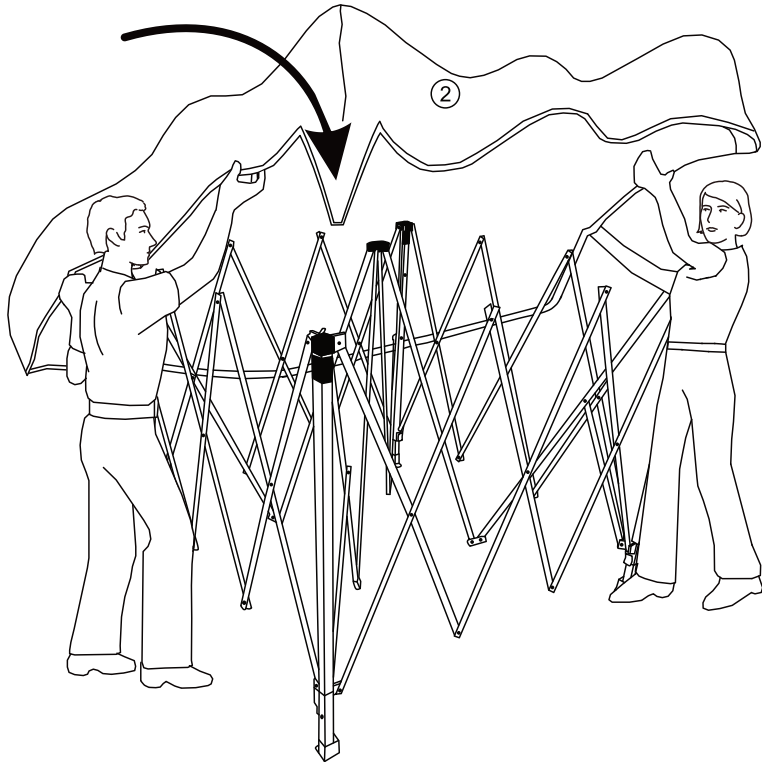
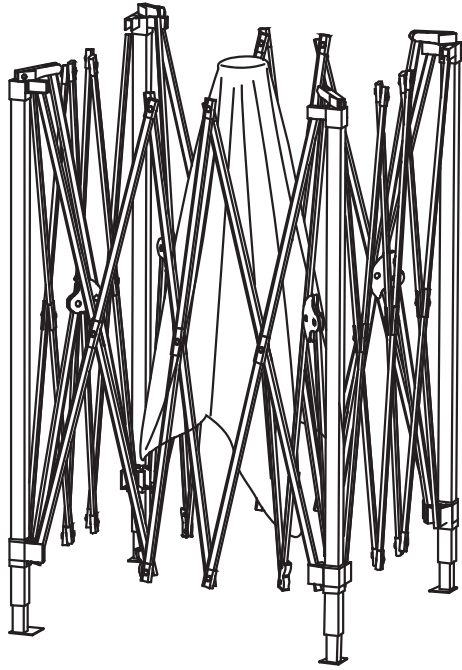
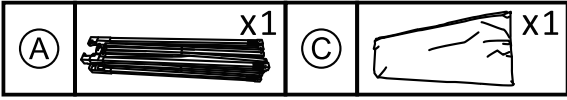
# MATERIAL LIST

## Parts List 1



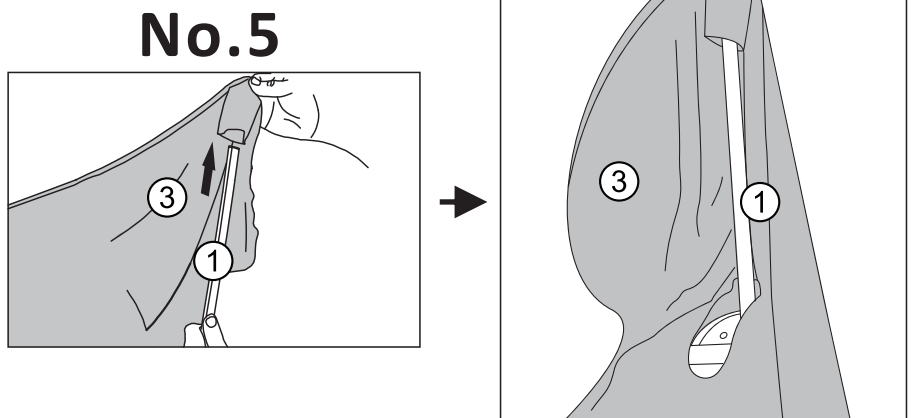
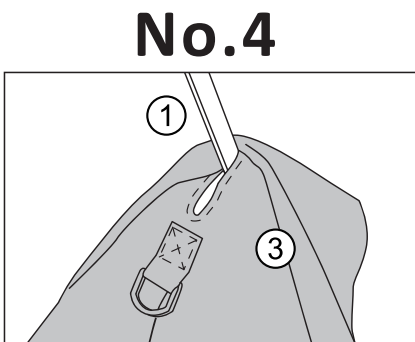
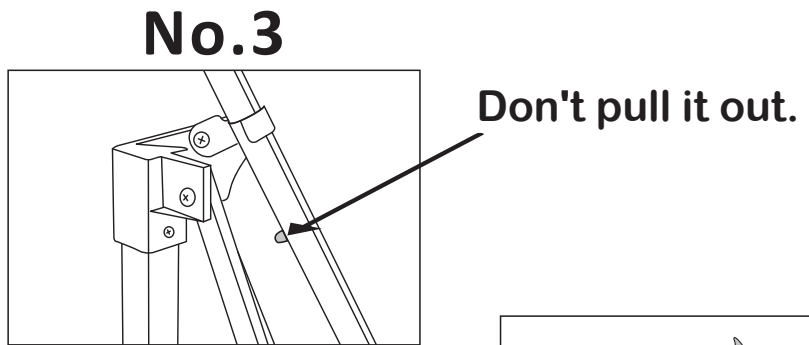
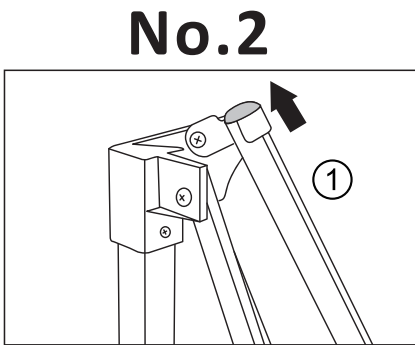
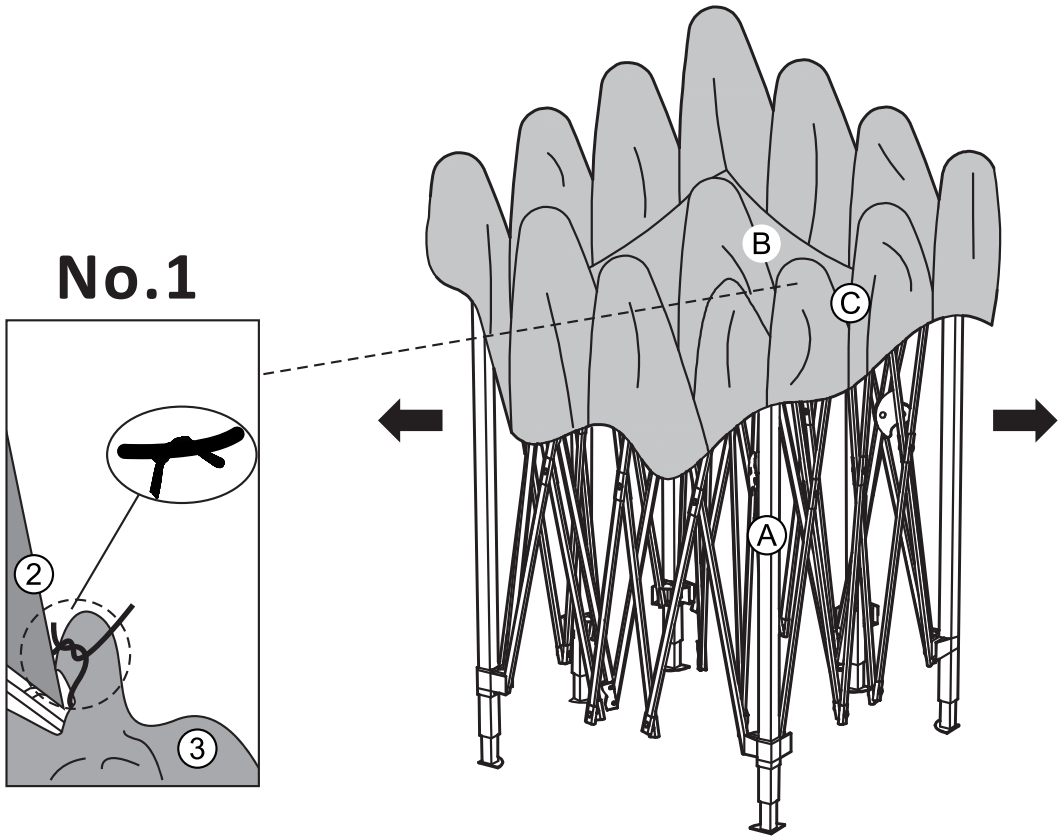
# INSTALLATION STEPS

## Step 1



# INSTALLATION STEPS

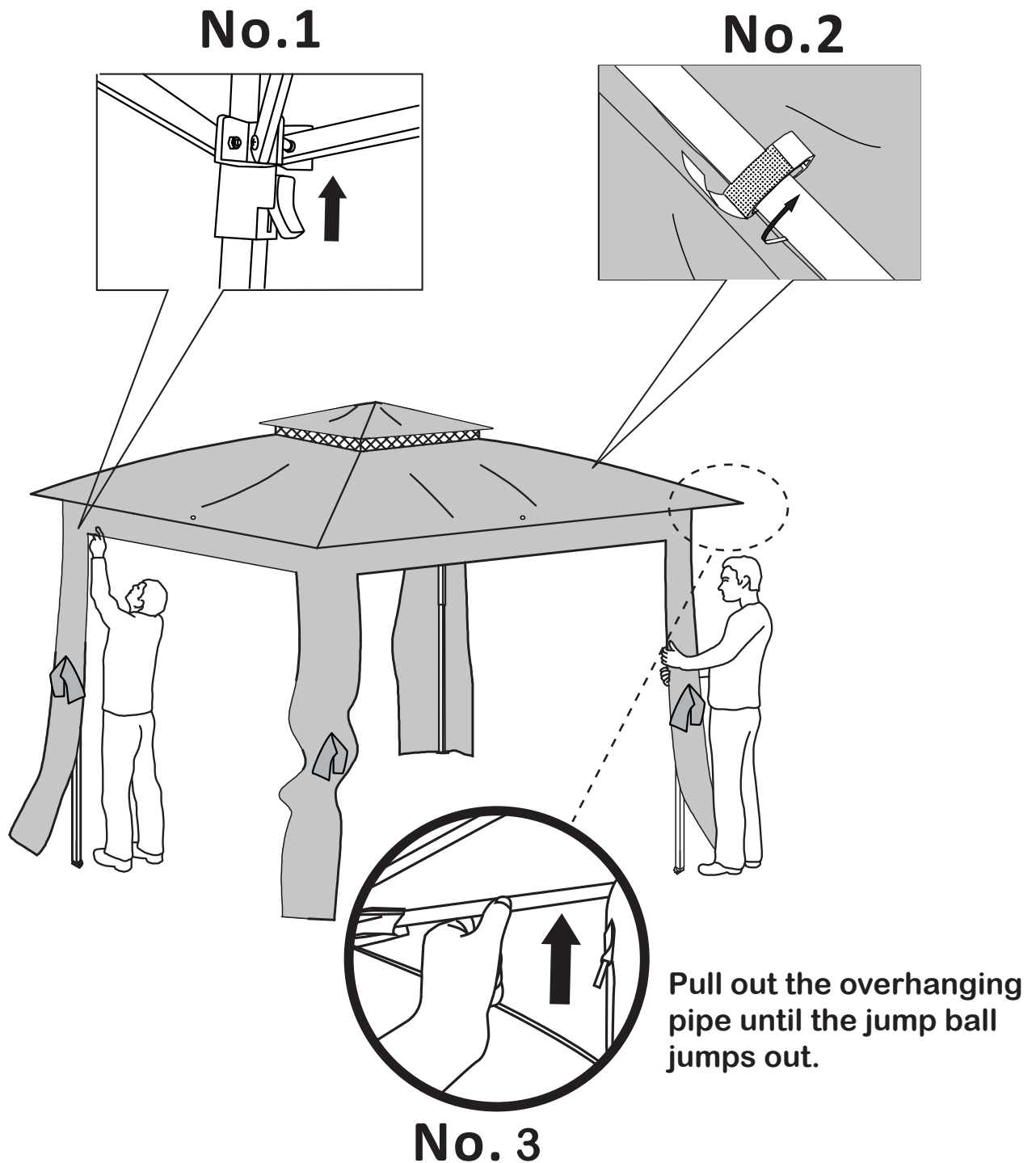
## Step 2



# INSTALLATION STEPS

## Step 3

Step on the end of frame leg and press the button to push up the leg until locked into place. Then attach the hook and loop straps to the bar. Press the button on each corner to open the canopy.

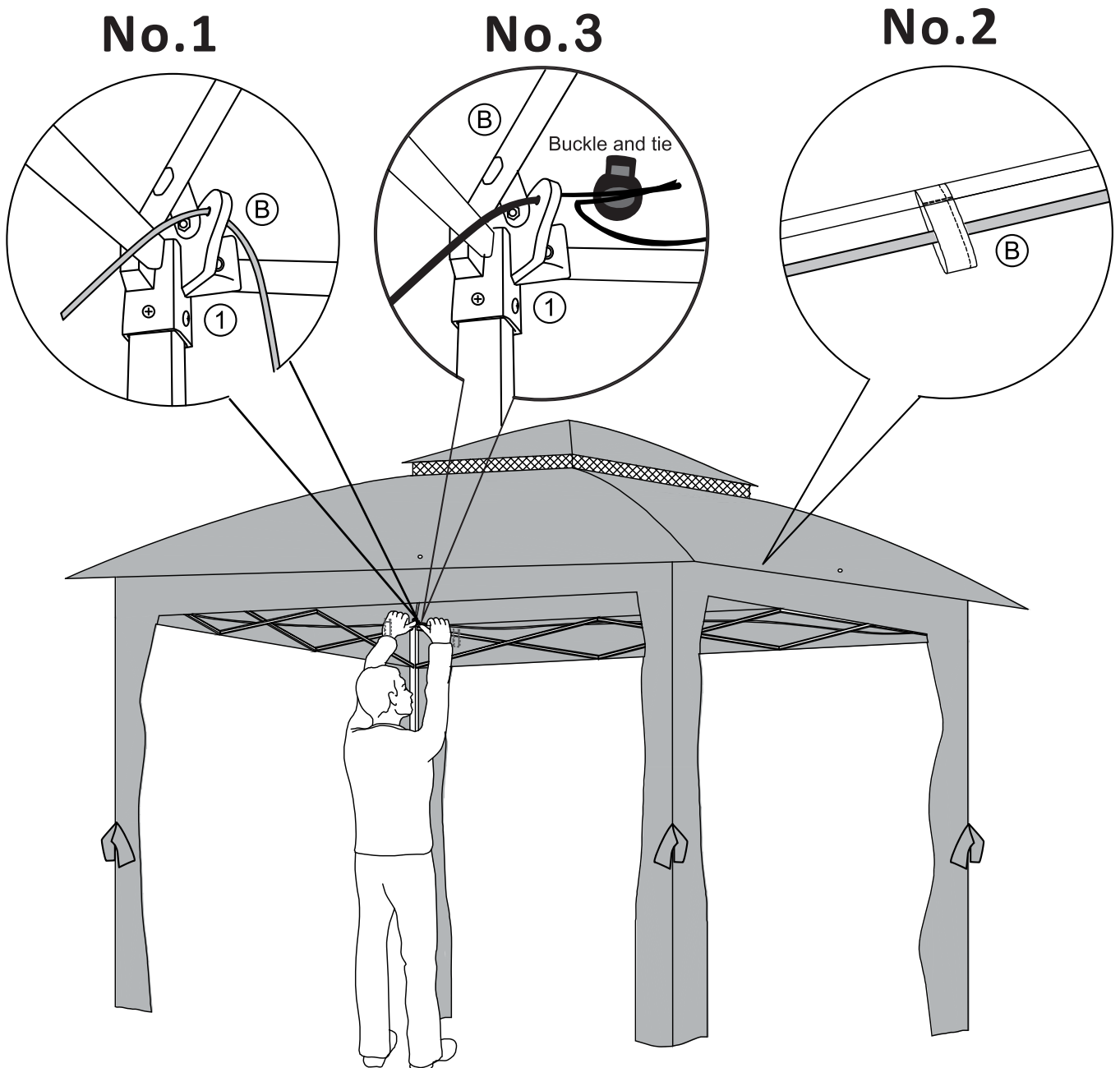


# INSTALLATION STEPS

## Step 4

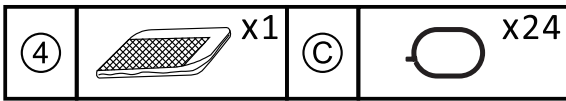


Thread rope B through adjacent corners of the frame 1 as well as the straps, then secure rope B by tying a knot.



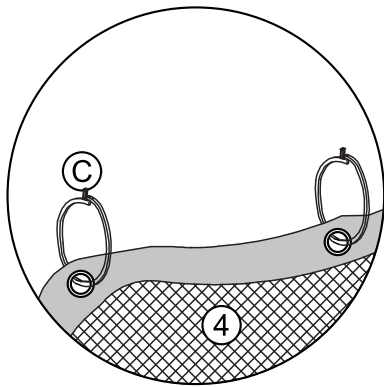
# INSTALLATION STEPS

## Step 5

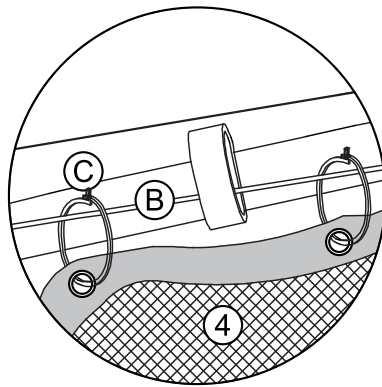


Loop curtain rings C to the sewn-in loops on the top edge of the netting 4. Then secure the netting to rope B using the curtain rings. Lastly, tie back the netting/curtains.

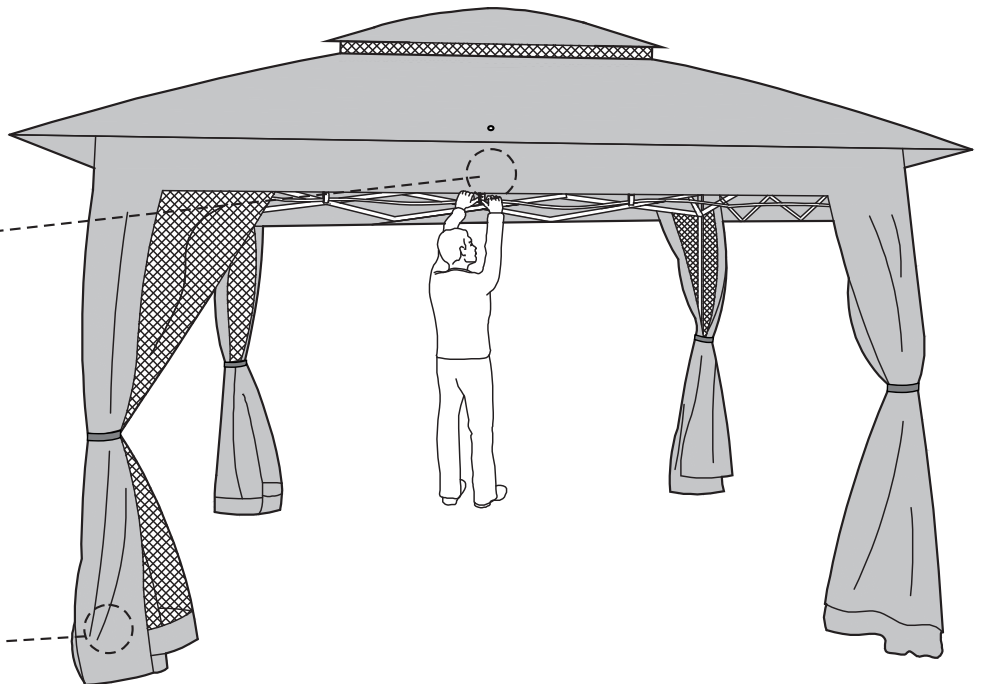
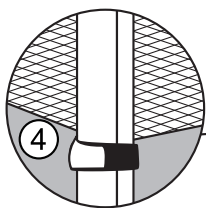
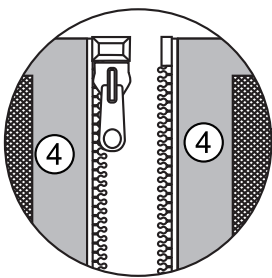
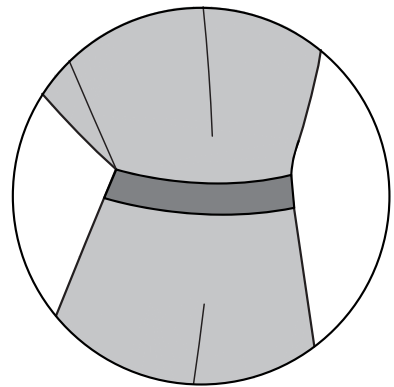
### No.1



### No.2

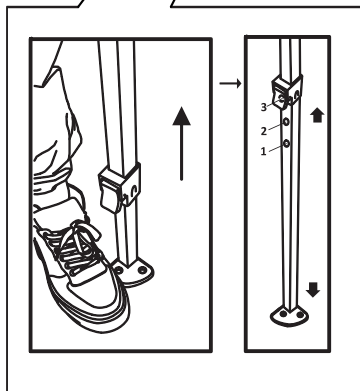
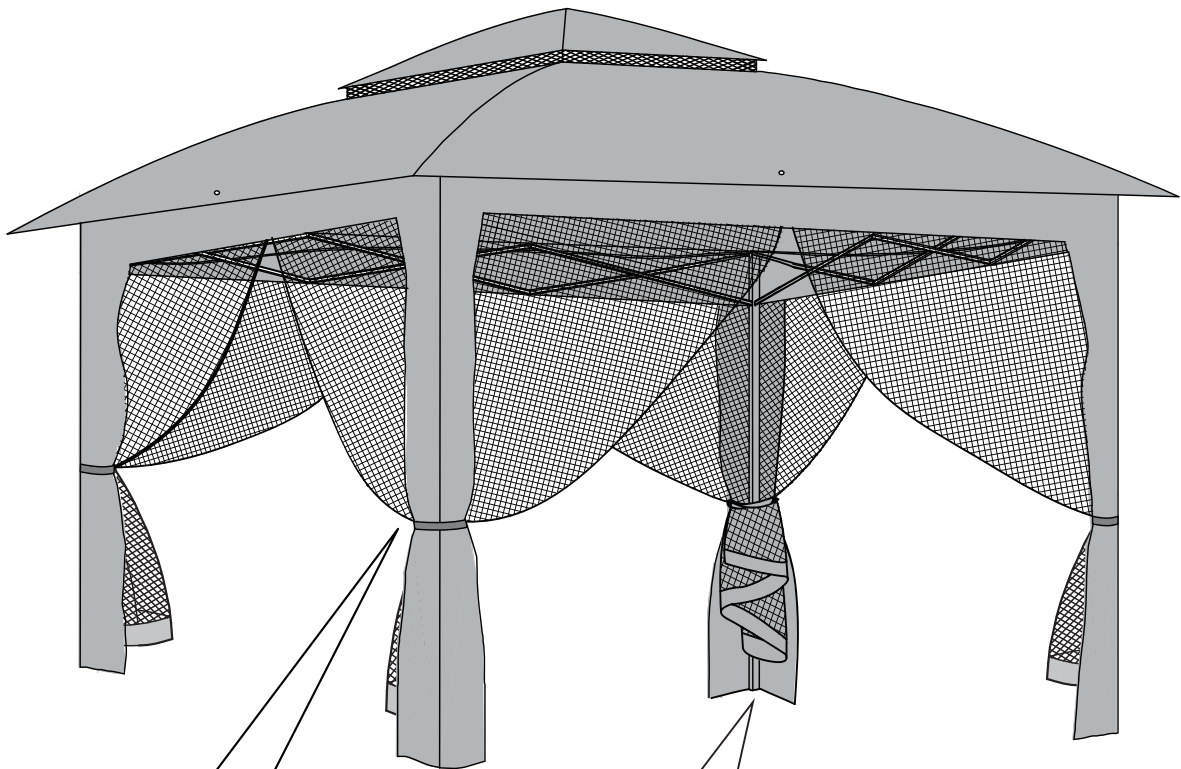
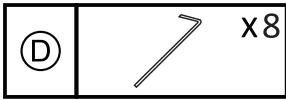


### No.3

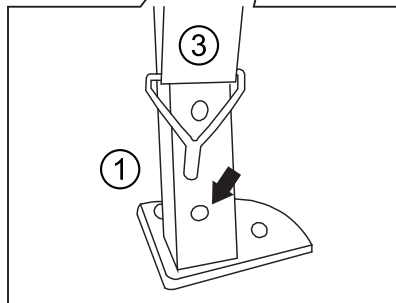


# INSTALLATION STEPS

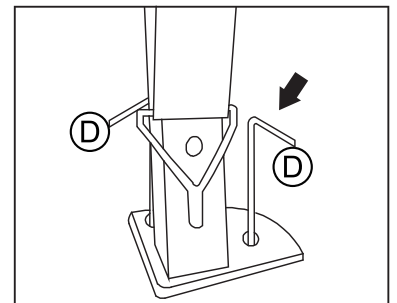
## Step 6



**No.1**






**No.2**



**No.3**

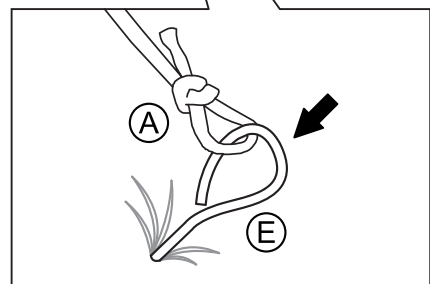
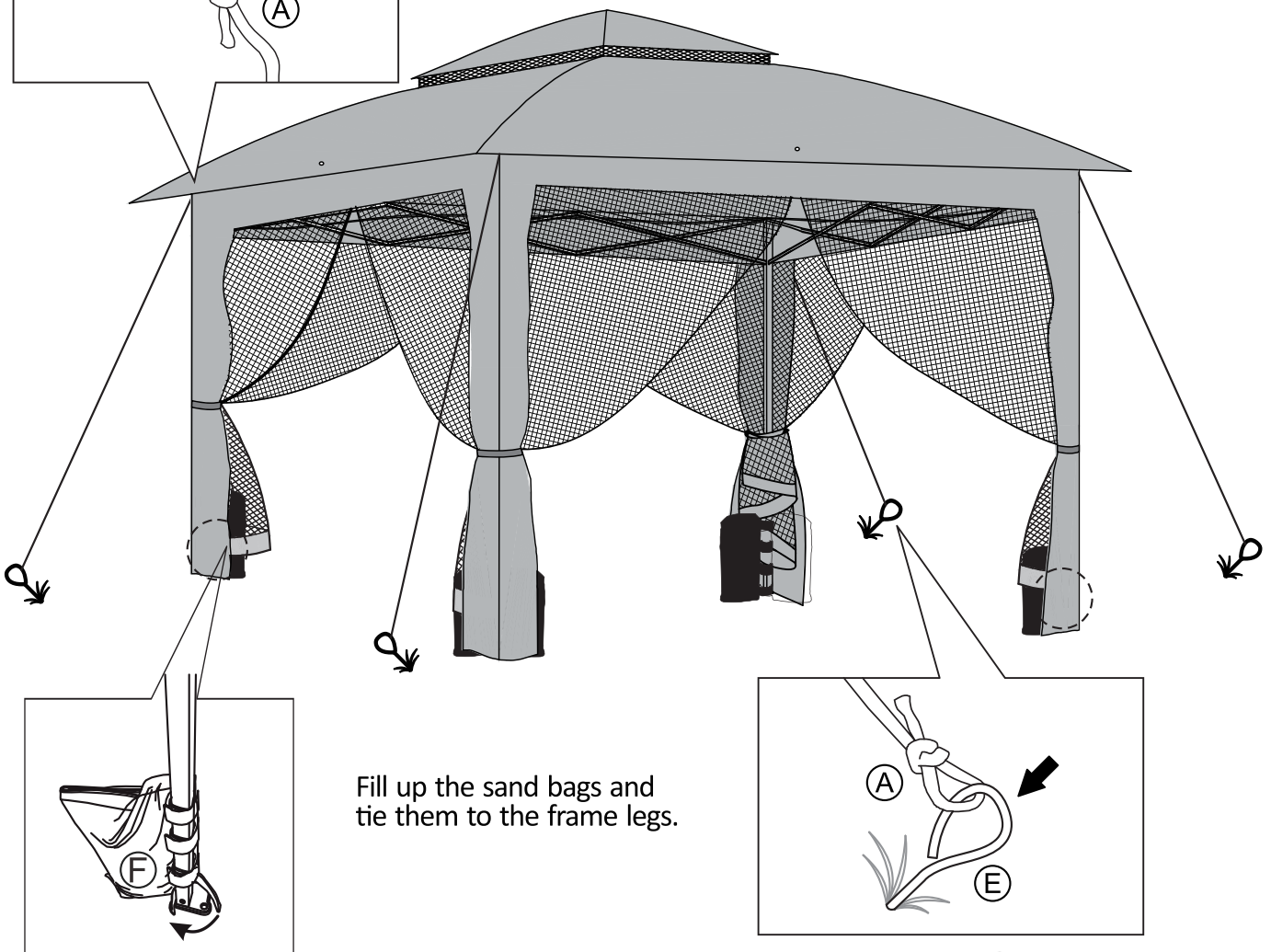
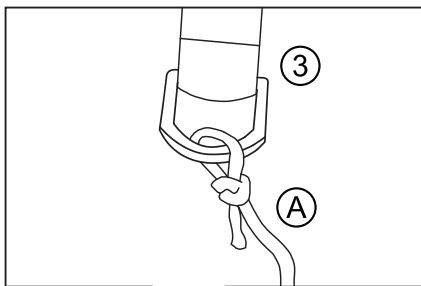
# INSTALLATION STEPS

## Step 6

(A)		x4
(E)		x4
(F)		

Fix both ends of rope A on the pull loop of canopy top 3 and the ground nail.

### No.1



### No.2