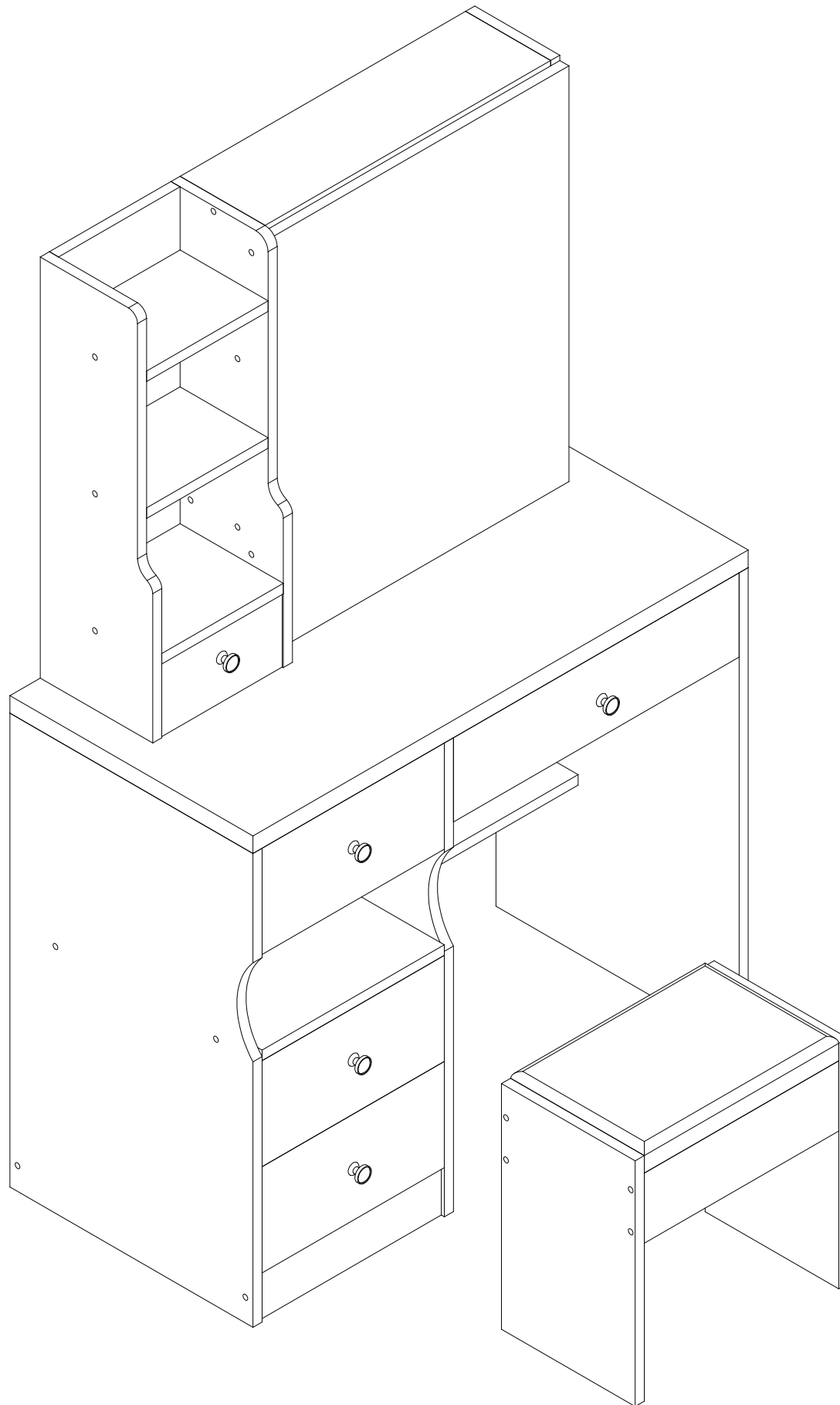


# vanity table

**T68S-W, T68S-B, T68S-W-L, T68S-B-L**  
**INSTALLATION MANUAL**



This is a unified installation manual of T68s (small-sized) vanity table, suitable for three versions: simple, basic, and luxury.

**Simple version:** without mirror light, built-in socket, and hair dryer bracket, therefore there is no mirror light power plug, built-in socket(H), and hair dryer bracket(I) in the accessories.

**Basic version:** with mirror light, without built-in socket, hair dryer stand. Therefore, there is no built-in socket(H) and hair dryer stand(I) in the accessories

**Luxury version:** with mirror light, built-in socket, hair dryer stand, therefore, all illustrated accessories are included.

Also note that:

1. Every hole on every board is useful, either a nut needs to be inserted or a screw needs to be inserted, and no hole is redundant.
2. There are marked points where the track needs to be fixed. Please use screw C to fix the track at the marked points.
3. Screw G is a drawer positioning pin to prevent the drawer from falling out when opened. Please confirm that all positioning screws G have been installed when the installation is completed.





Before assembly please scan the code to get the installation video.



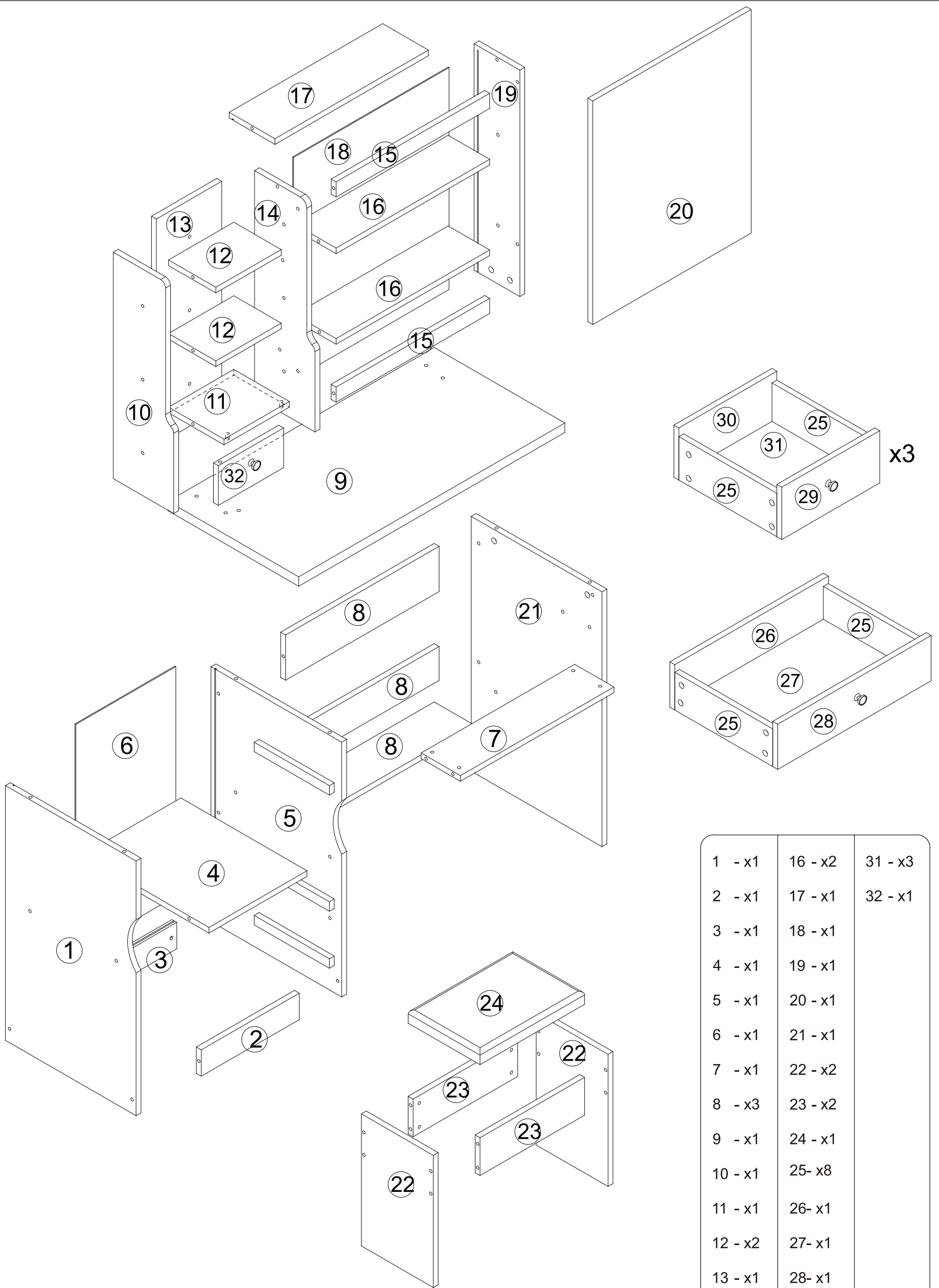
How to install the rail and mirror? please scan the code to get the video.



How to adjust the mirror light? please scan the code to get the video.



T68s real show video.



1 - x1	16 - x2	31 - x3
2 - x1	17 - x1	32 - x1
3 - x1	18 - x1	
4 - x1	19 - x1	
5 - x1	20 - x1	
6 - x1	21 - x1	
7 - x1	22 - x2	
8 - x3	23 - x2	
9 - x1	24 - x1	
10 - x1	25 - x8	
11 - x1	26 - x1	
12 - x2	27 - x1	
13 - x1	28 - x1	
14 - x1	29 - x3	
15 - x2	30 - x3	

Before installation, please find a marker pen with erasable marks, distinguish each accessory based on the shape of the board and the position of the holes, and then write the corresponding numbers on the board.





**1 -x1**



**2 -x1**



**3 -x1**



**4 -x1**



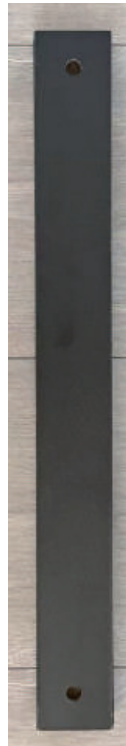
**5 -x1**



**6 -x1**



**7 -x1**



**8 -x3**



**9 -x1**



**10 -x1**



**11 -x1**



**12 -x2**



**13 -x1**



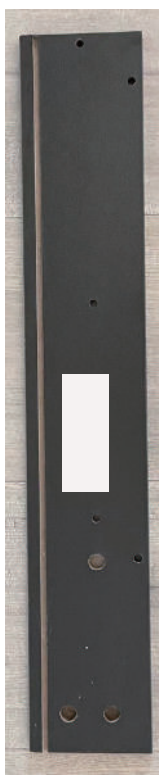
**14-x1**



**15-x2 16-x2 17-x1**

for build-in socket

**18-x1** for not build-in socket



or



for build-in socket

for not build-in socket

**19-x1**



**20-x1**



**21-x1**



**22-x2**



**23-x2**



**24-x1**



**25-x8**



**26-x1**



**27-x1**



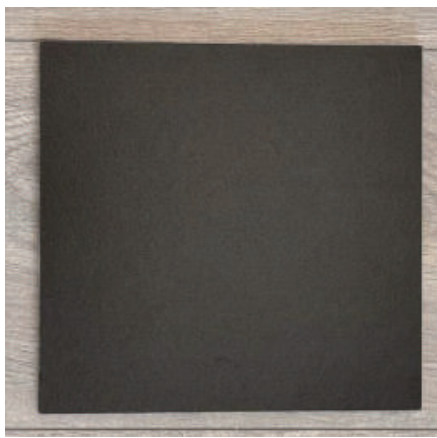
**28-x1**



**29-x3**



**30-x3**



**31-x3**

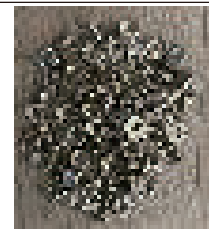


**32-x1**

hardware



A	screw	x44
---	-------	-----



B	metal LOCK	x44
---	------------	-----



C	SCREW	x12
---	-------	-----



D	GUIDE RAIL	x2
---	------------	----



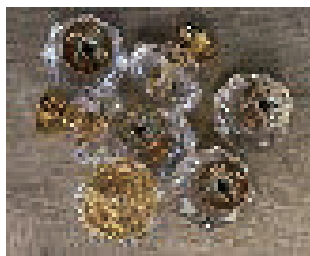
E	HANDLE SCREW	x5
---	--------------	----



F	L PLATE	x2
---	---------	----



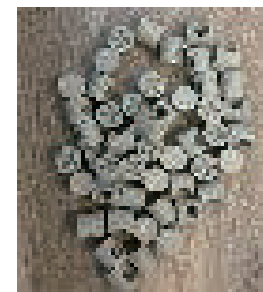
G	screw	x9
---	-------	----



L	SCREW	x5
---	-------	----



J	SCREW	x47
---	-------	-----



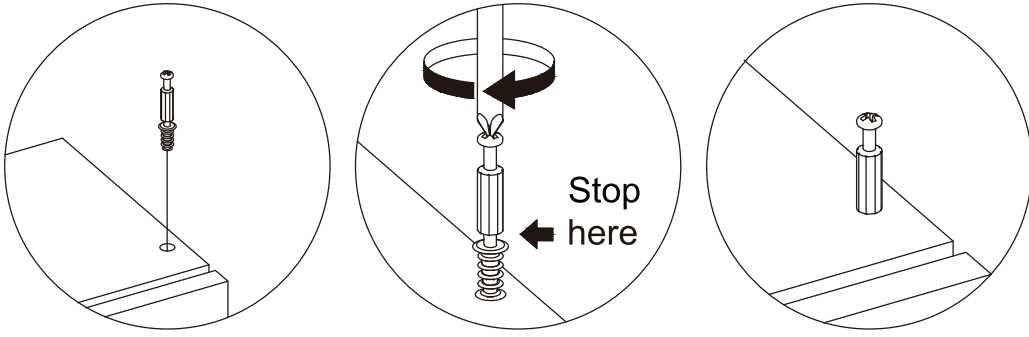
K	PLASTIC LOCKS	x47
---	---------------	-----



M	PIVOT PIN	x2
---	-----------	----

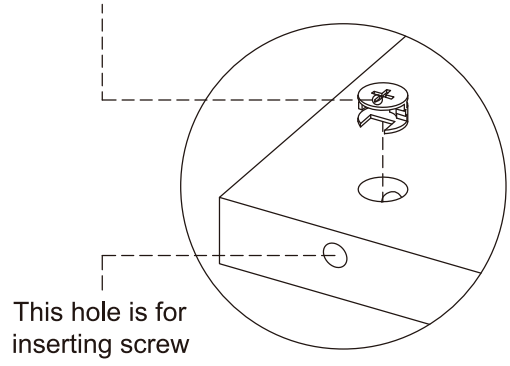
**1. Screw installation method**

When the screw is installed, please keep it in line with the board, and do not tighten it too tightly

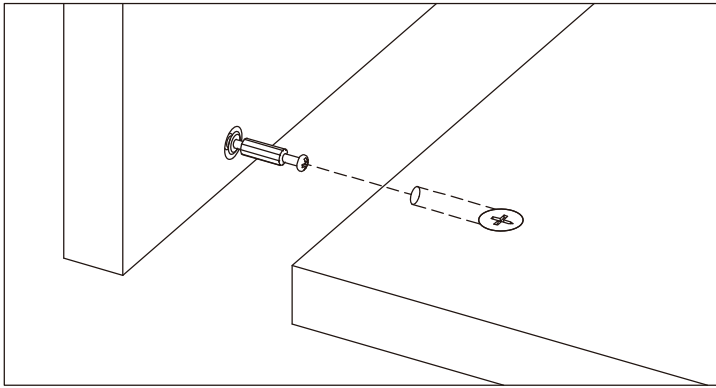


**2. Check the Nut direction**

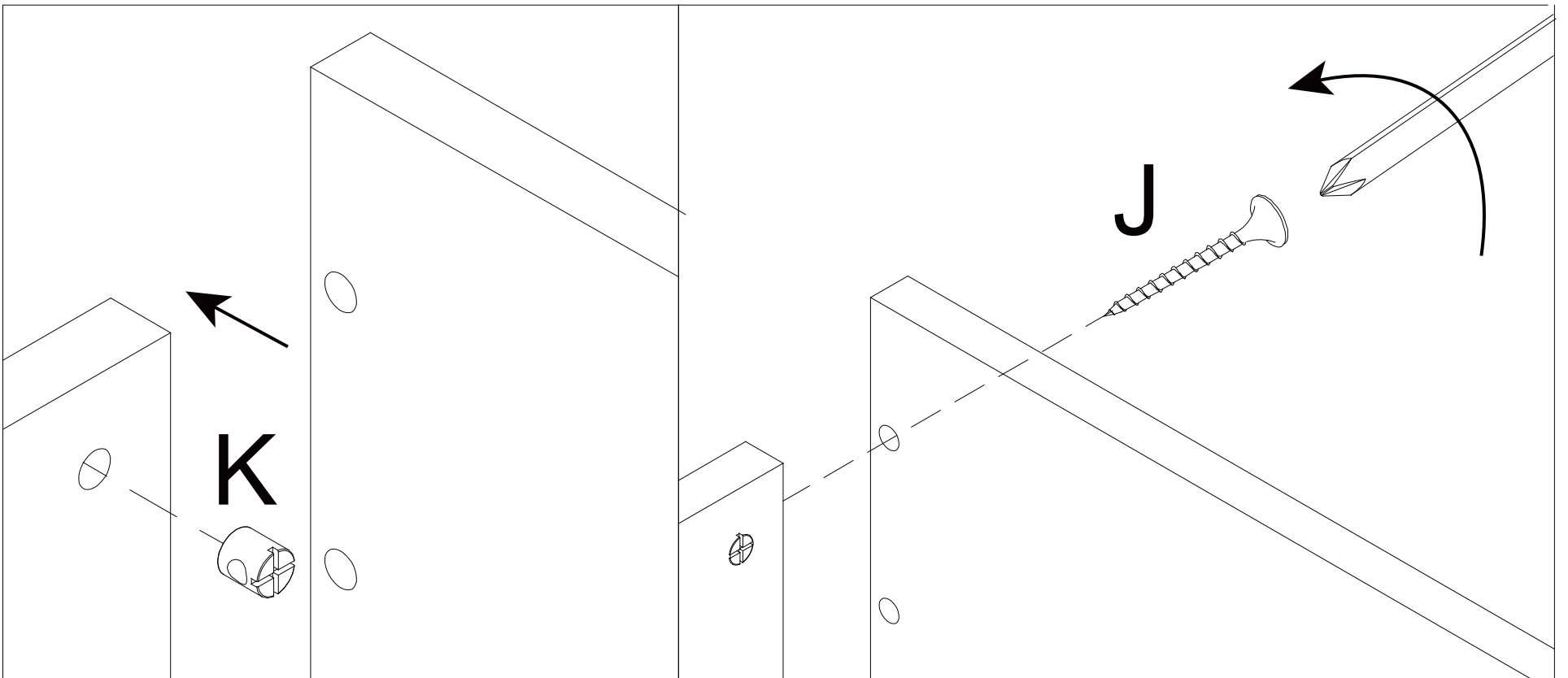
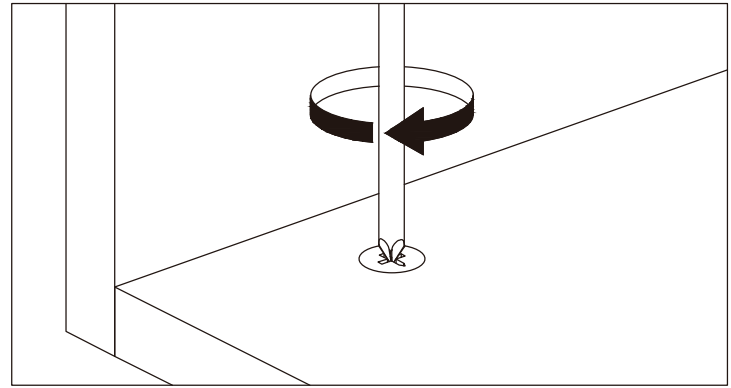
This direction of the marked nut is consistent with the direction in which the screw is inserted



**3. Installation on the board with fixing screws**

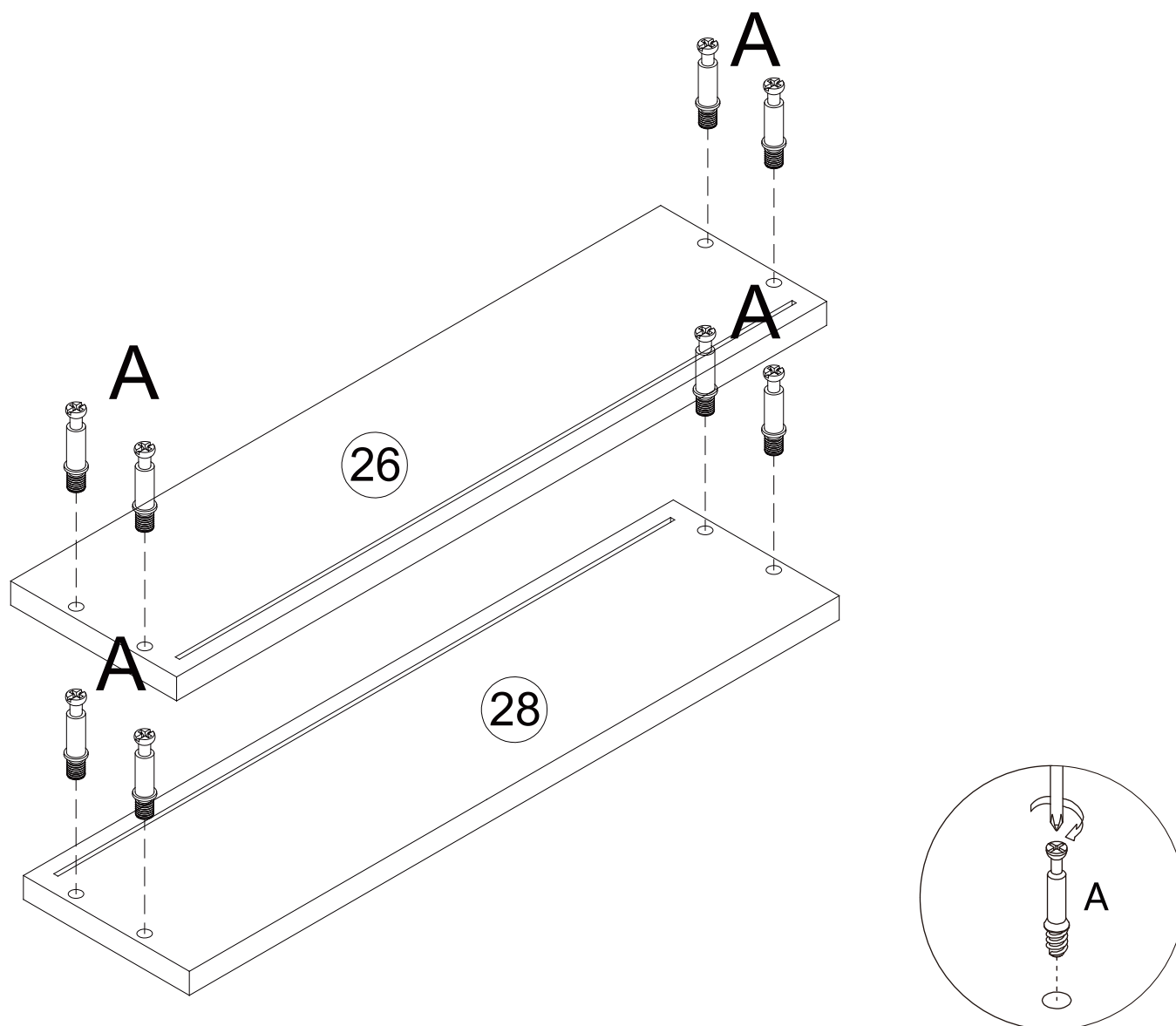


**3. Rotate slowly until it stops**

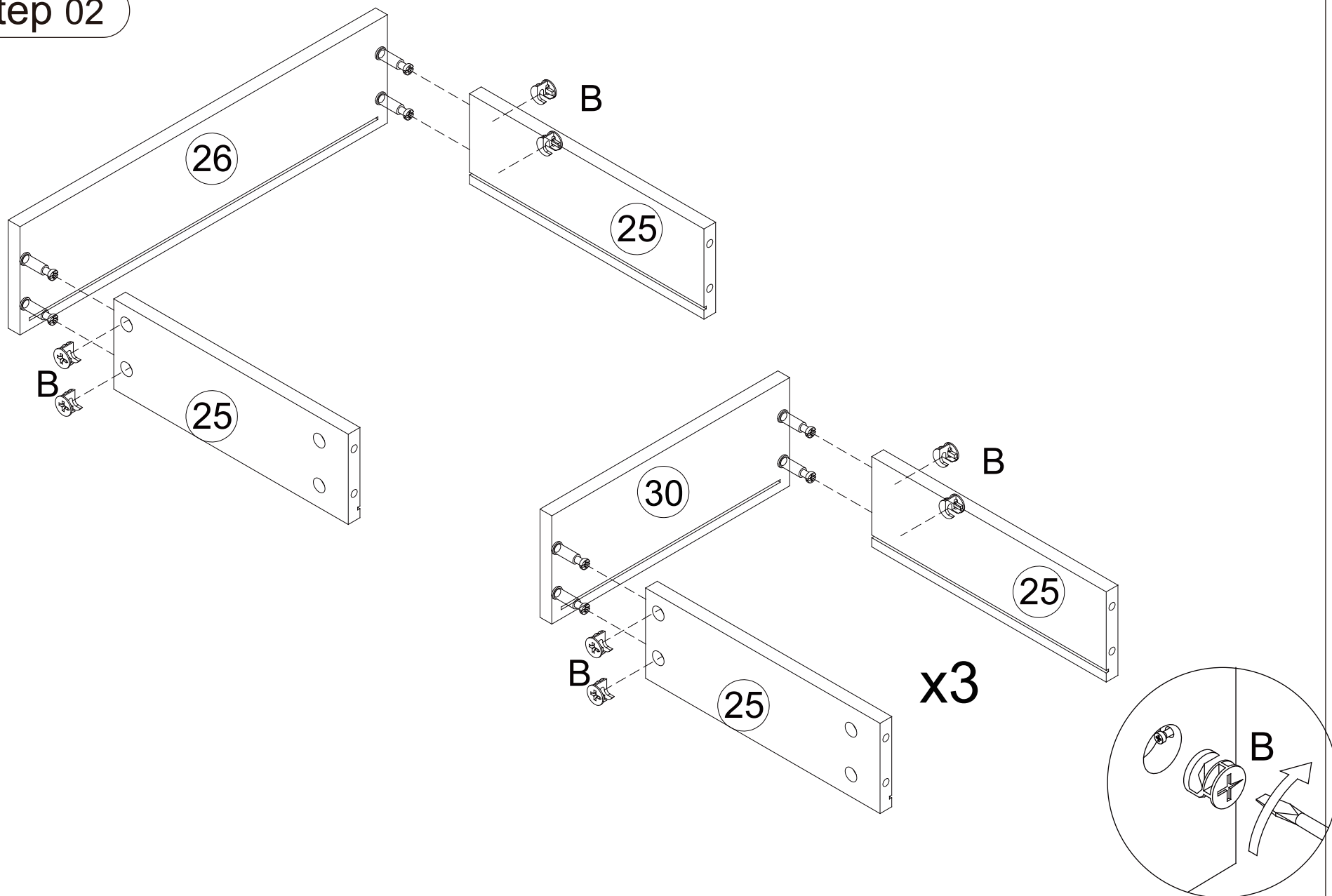


Step 01

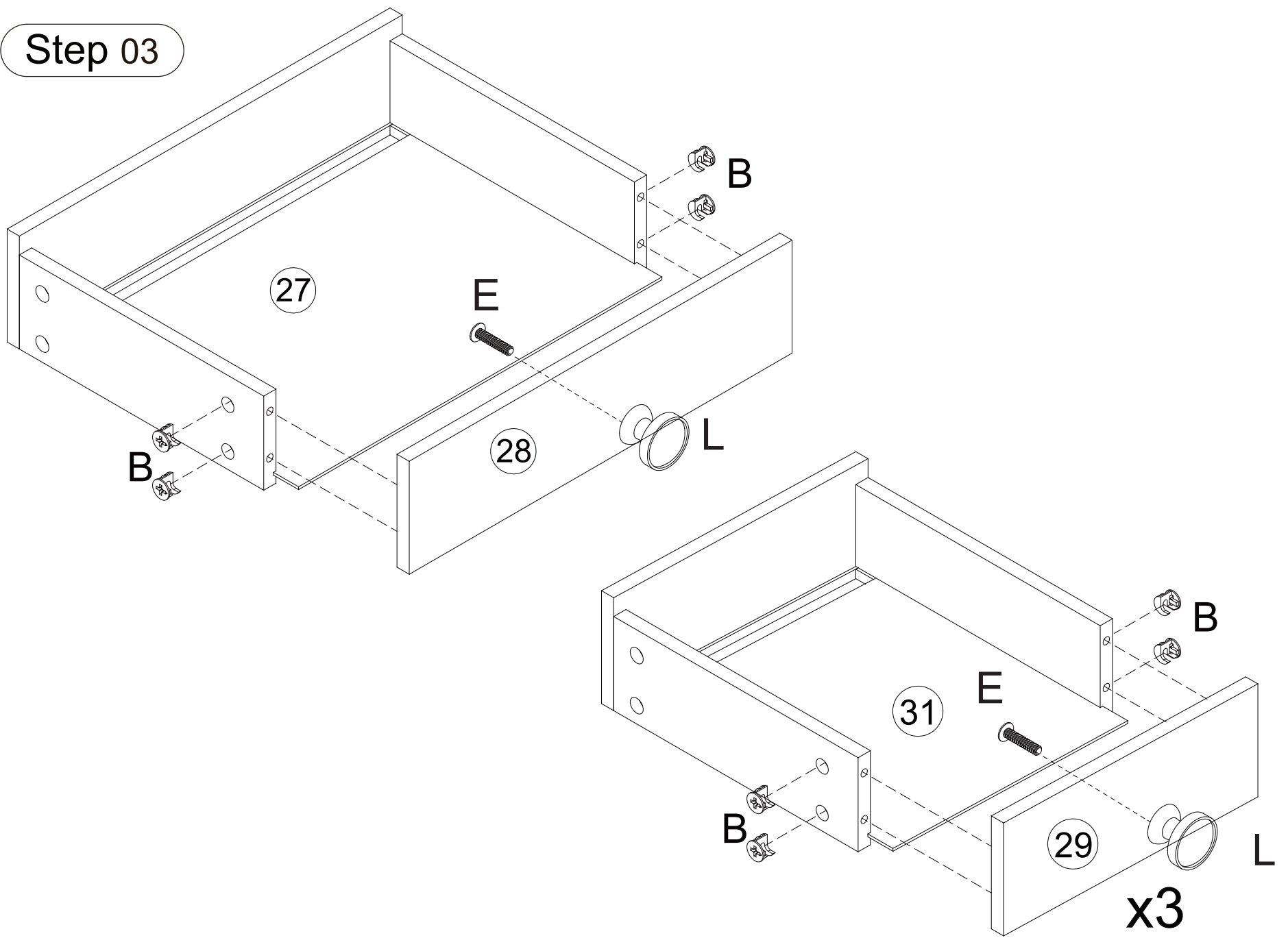
pick up (26) x1, (27) x1, (28) x1, (25) x2 and (29) x3, (30) x3, (31) x3, (25) x6



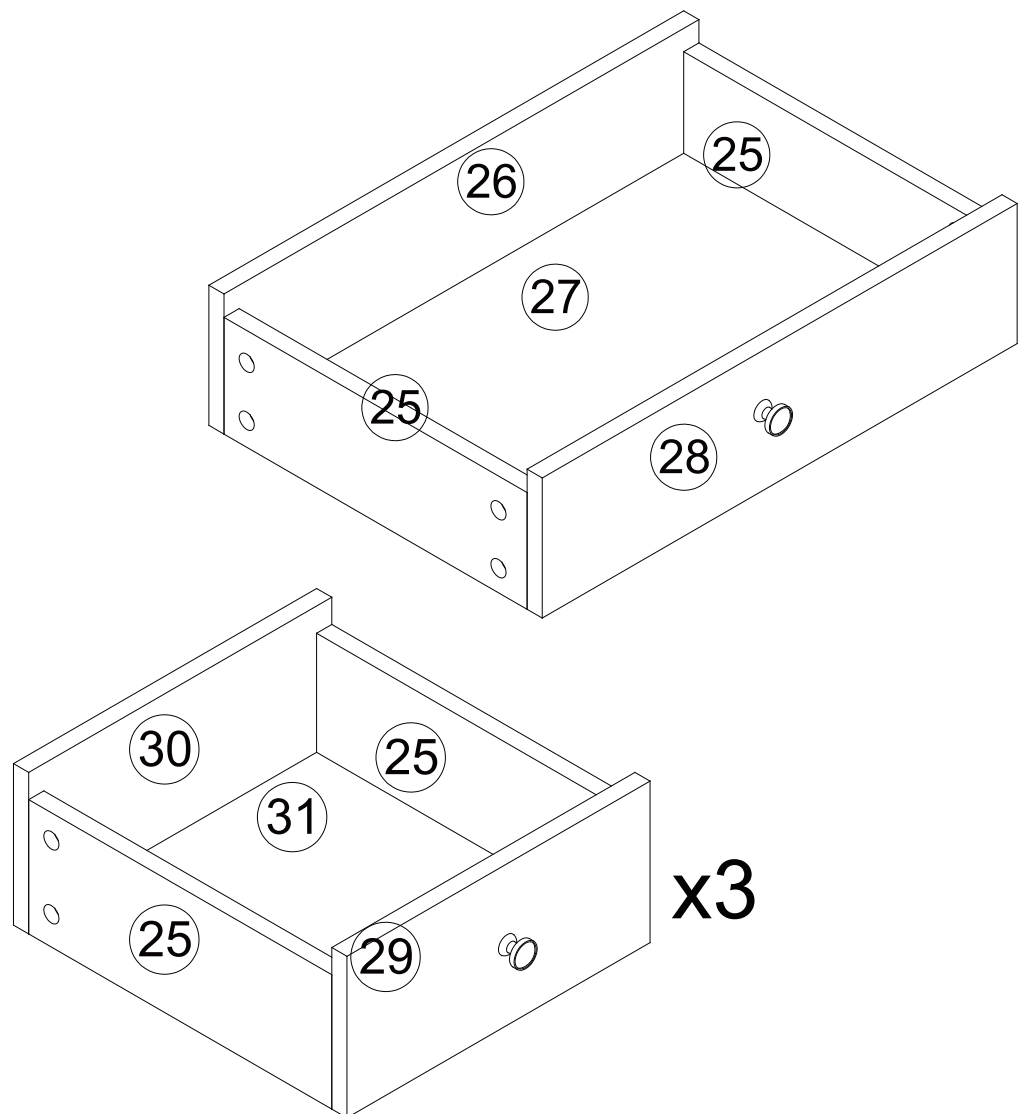
Step 02



Step 03



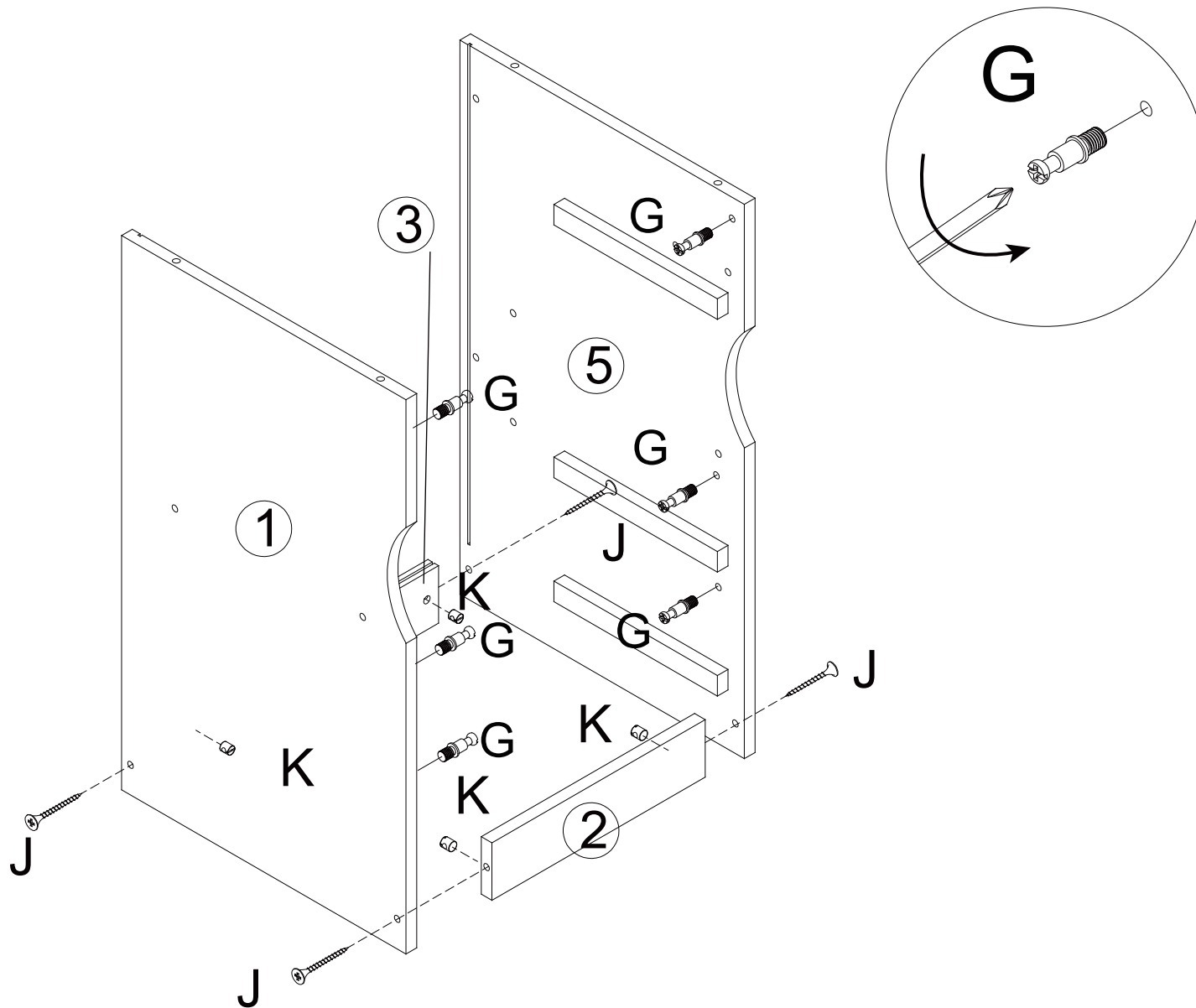
Step 04



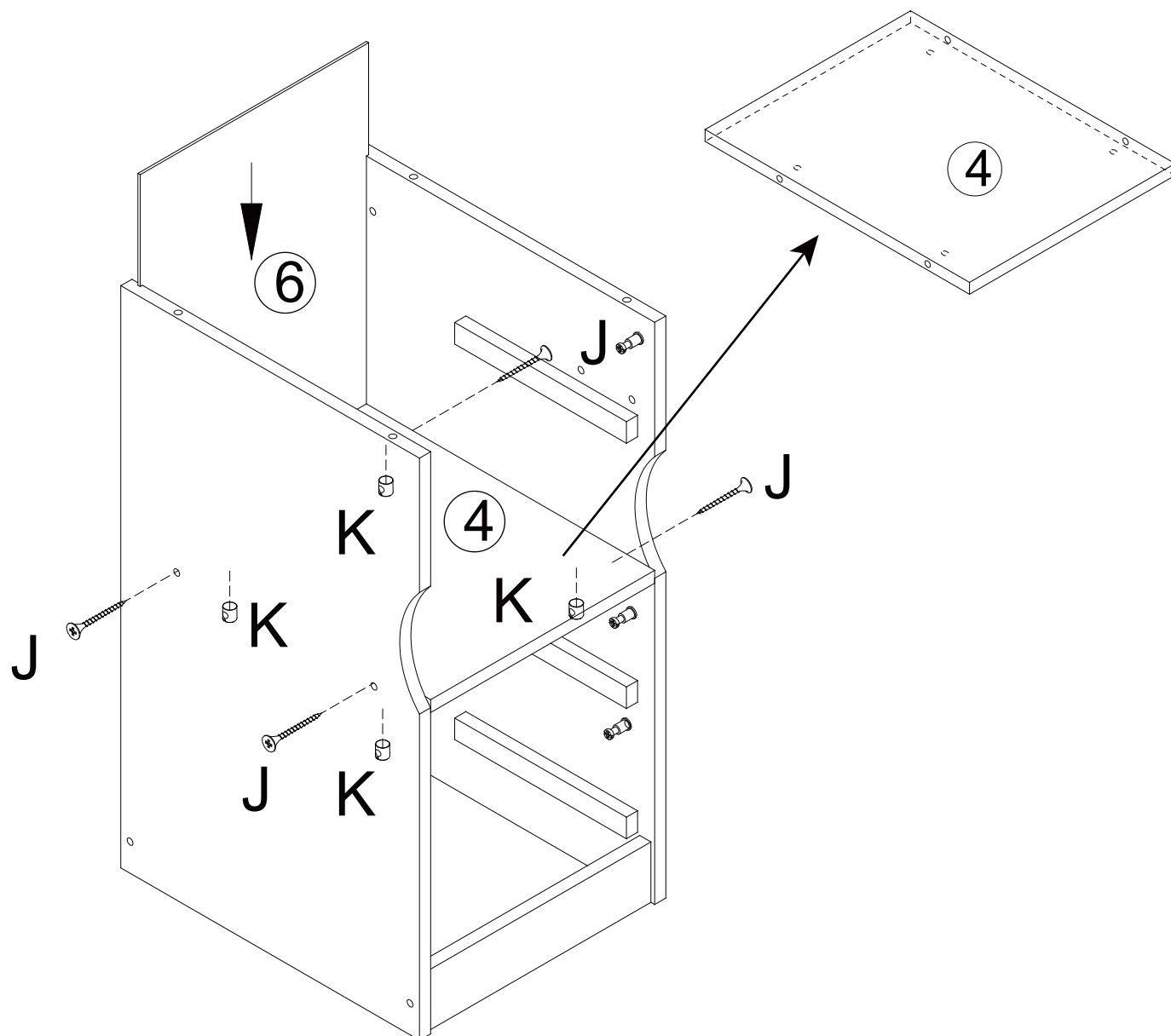
Three drawers are installed in the same way

Step 05

pick up ②x1, ③x1, ①x1, ⑤x1, ⑥x1, ④x1

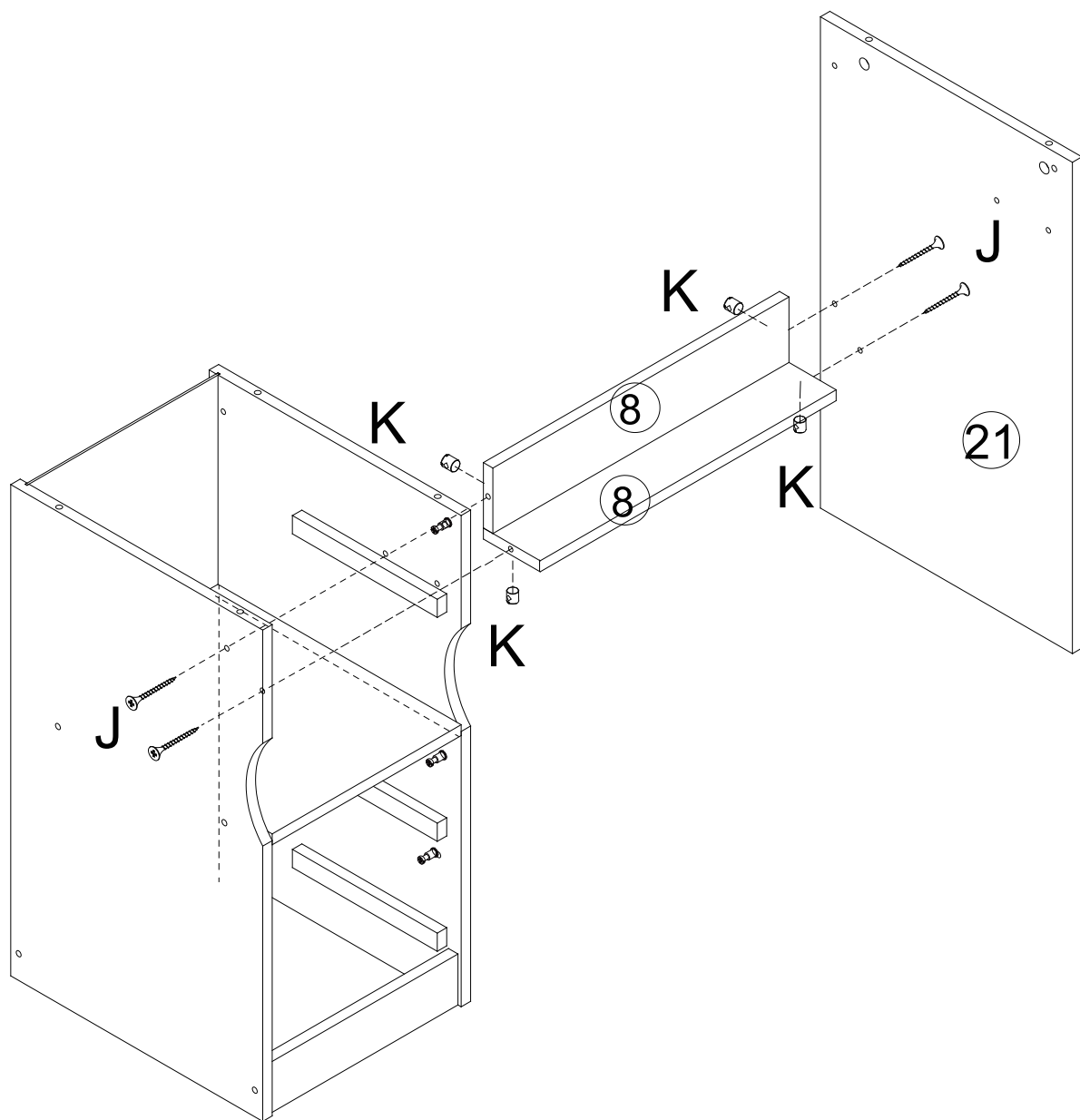


Step 06

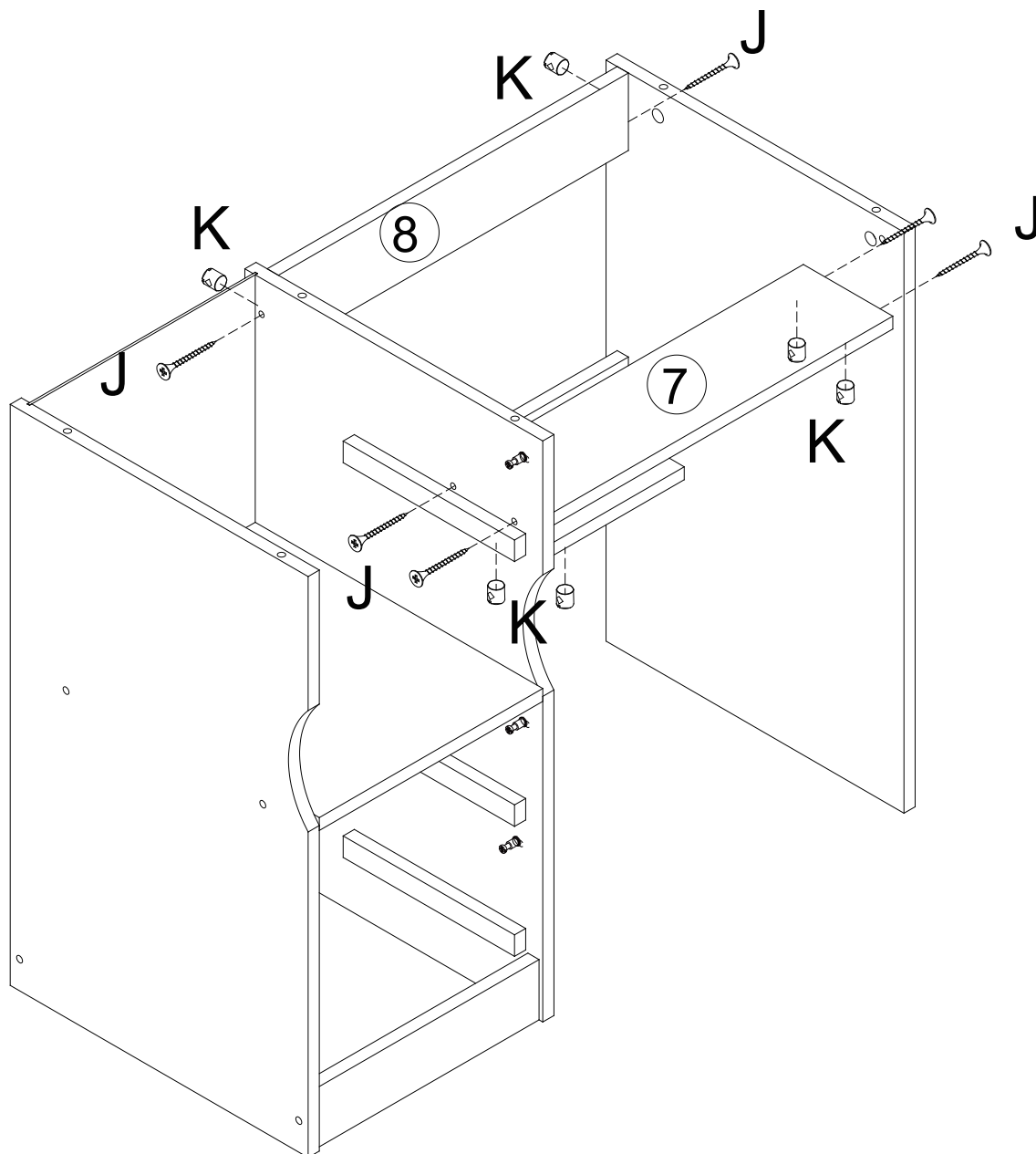


Step 07

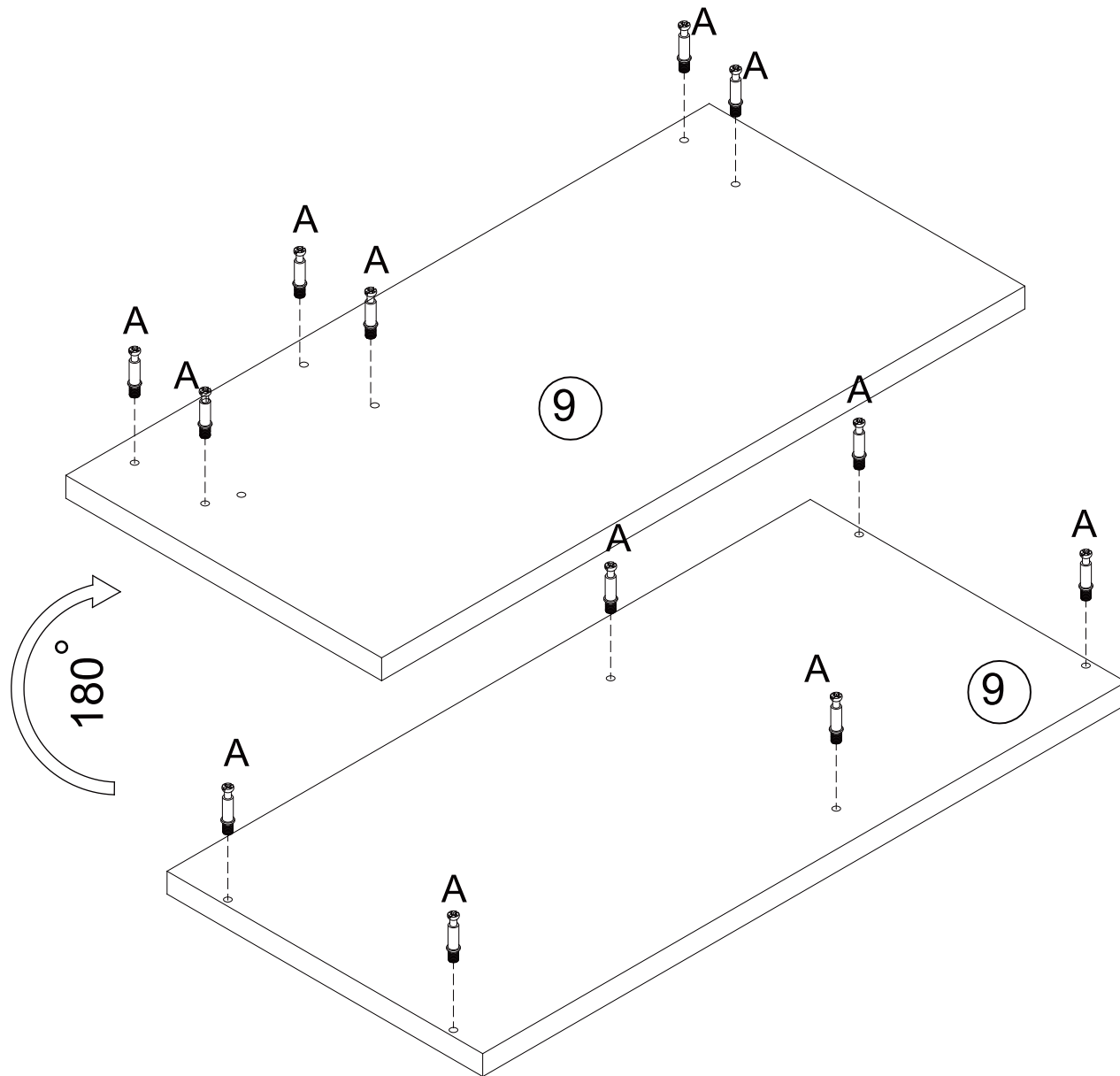
pick up ⑦x1, ⑧x3, ⑳x1, ⑨x1



Step 08

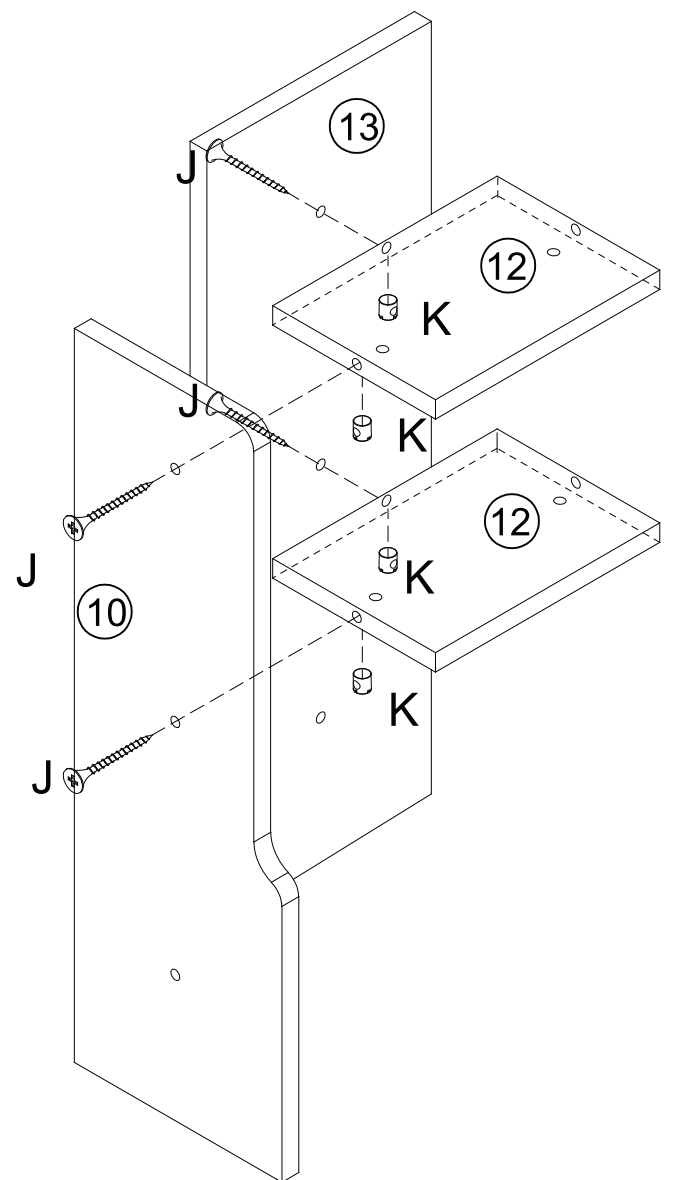
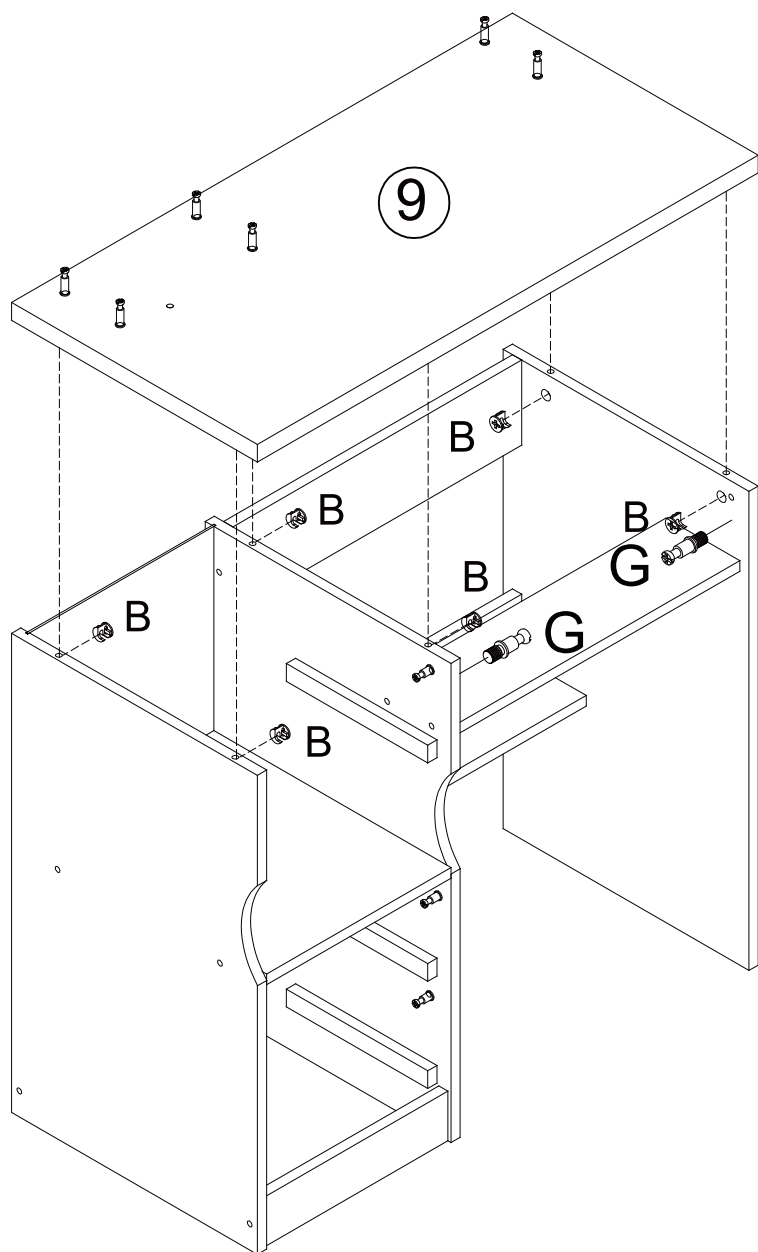


Step 09



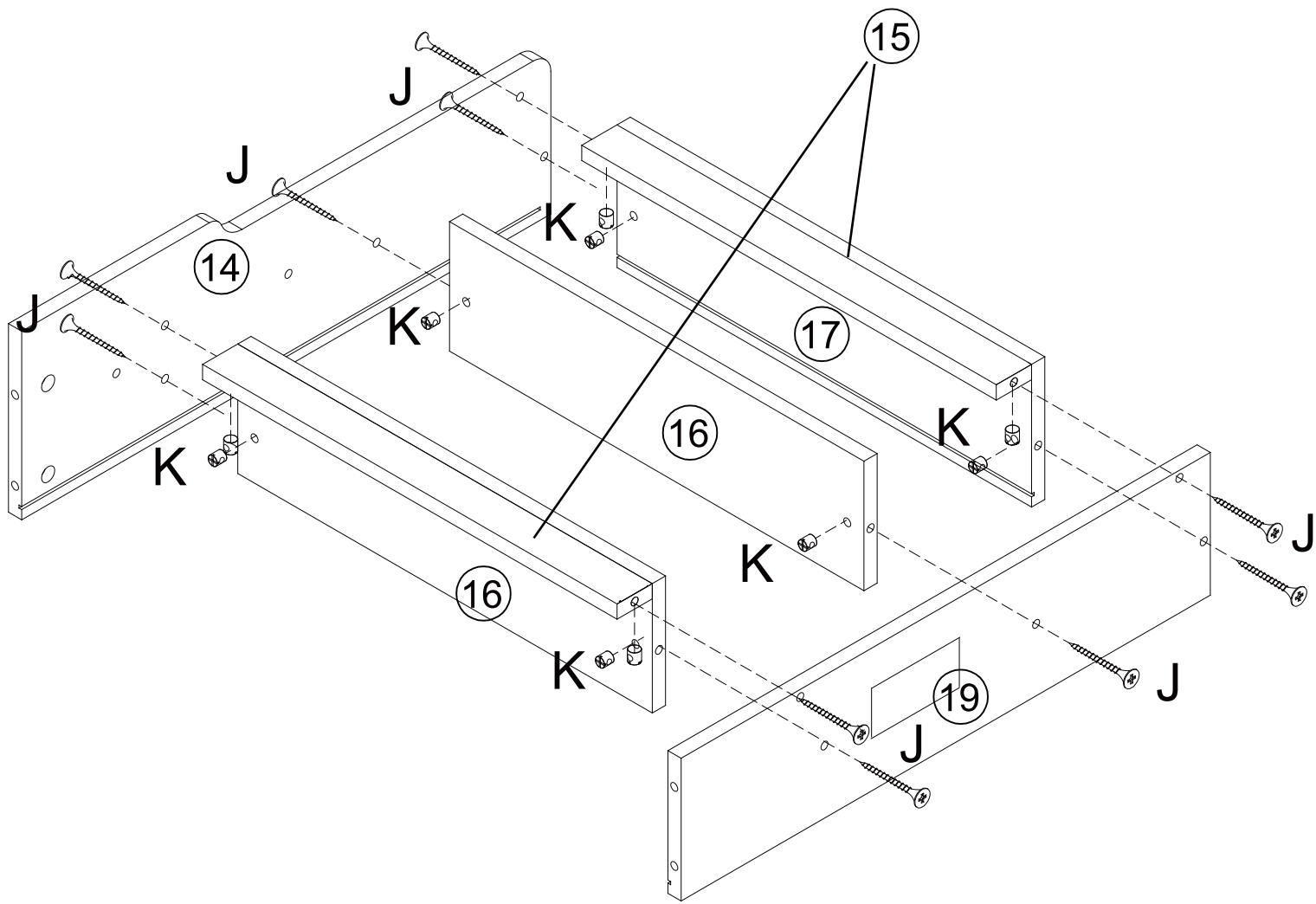
Step 10

pick up 10 x1, 12 x2, 13 x1

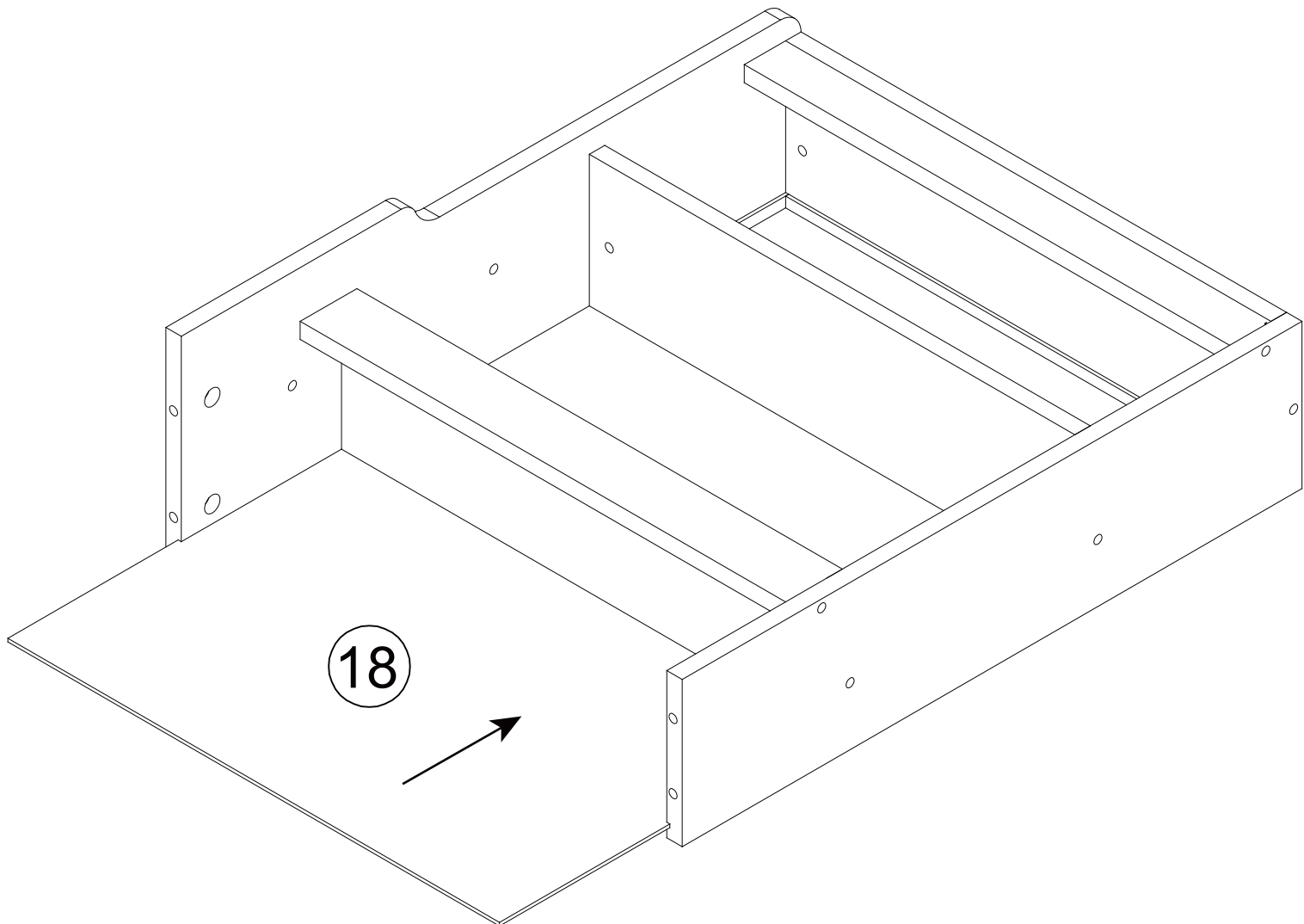


Step 11

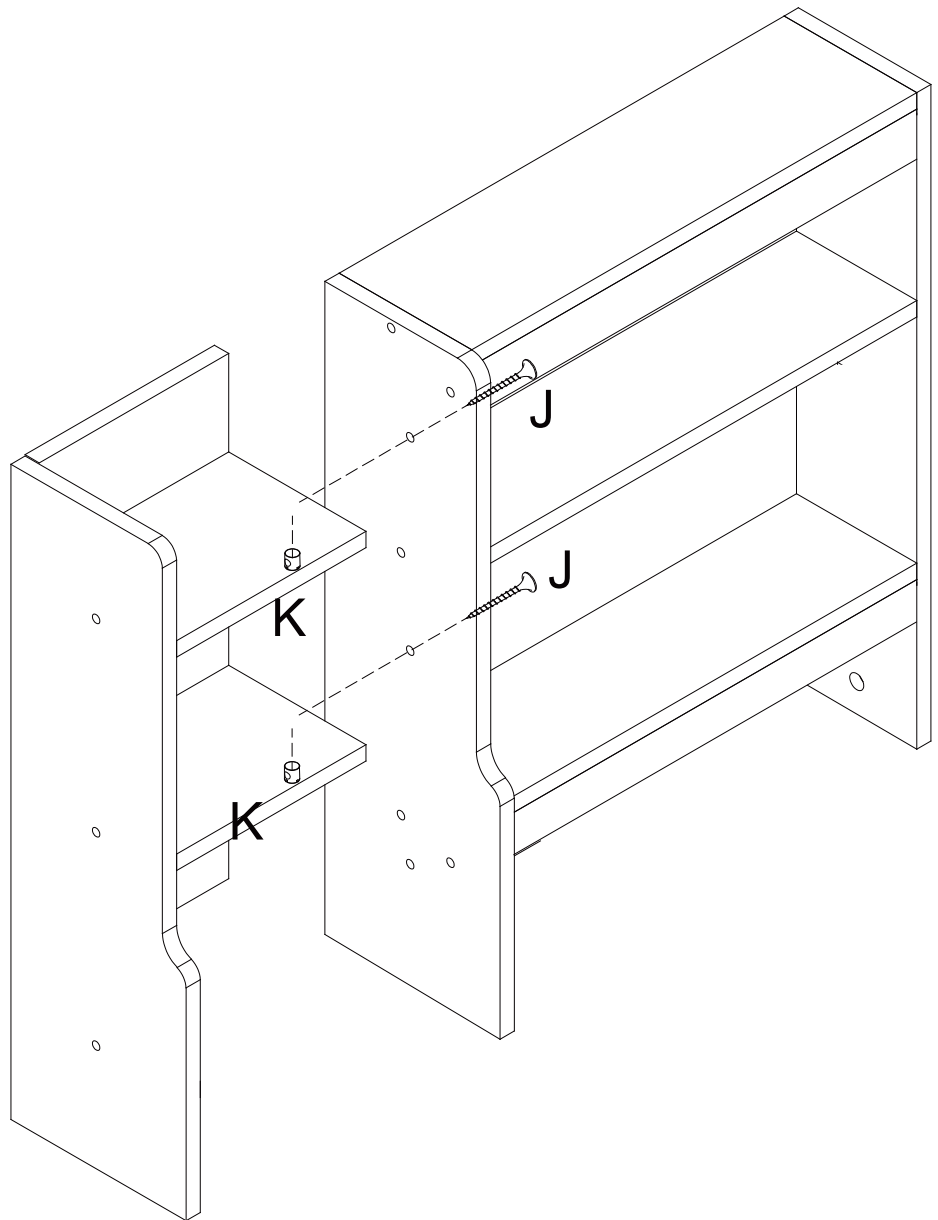
pick up ⑭ x1, ⑰ x1, ⑮ x2, ⑯ x2, ⑱ x1, ⑲ x1



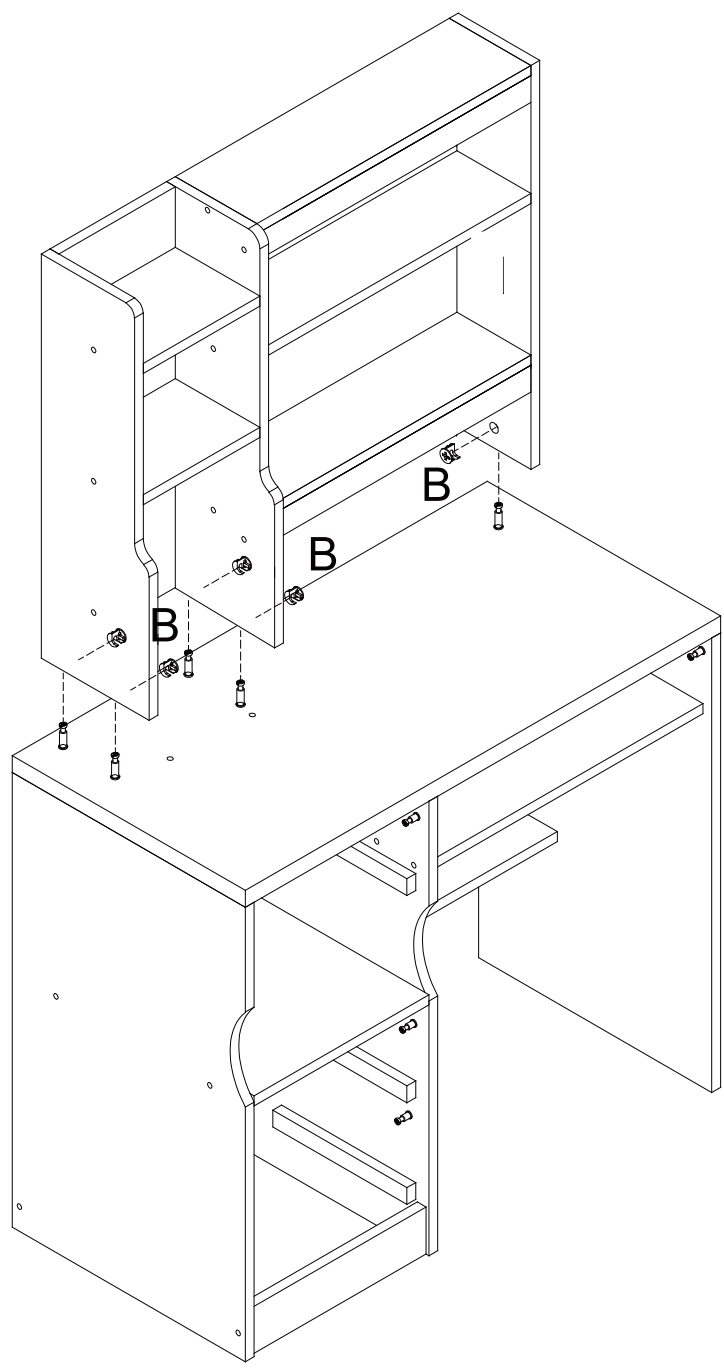
Step 12



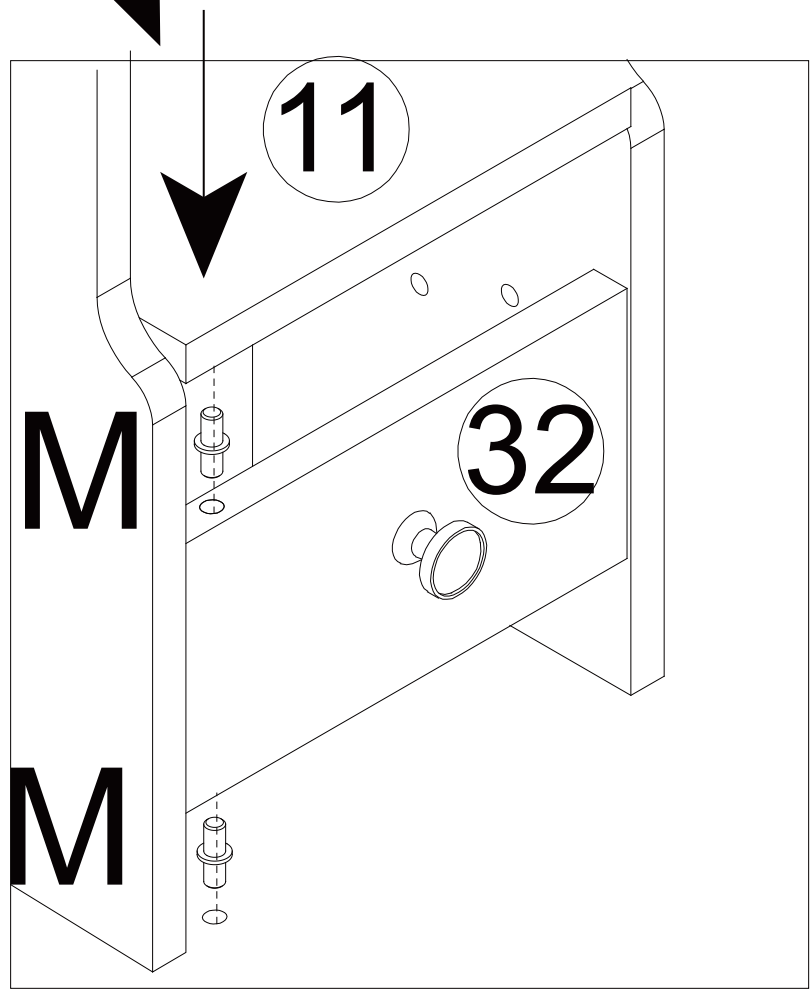
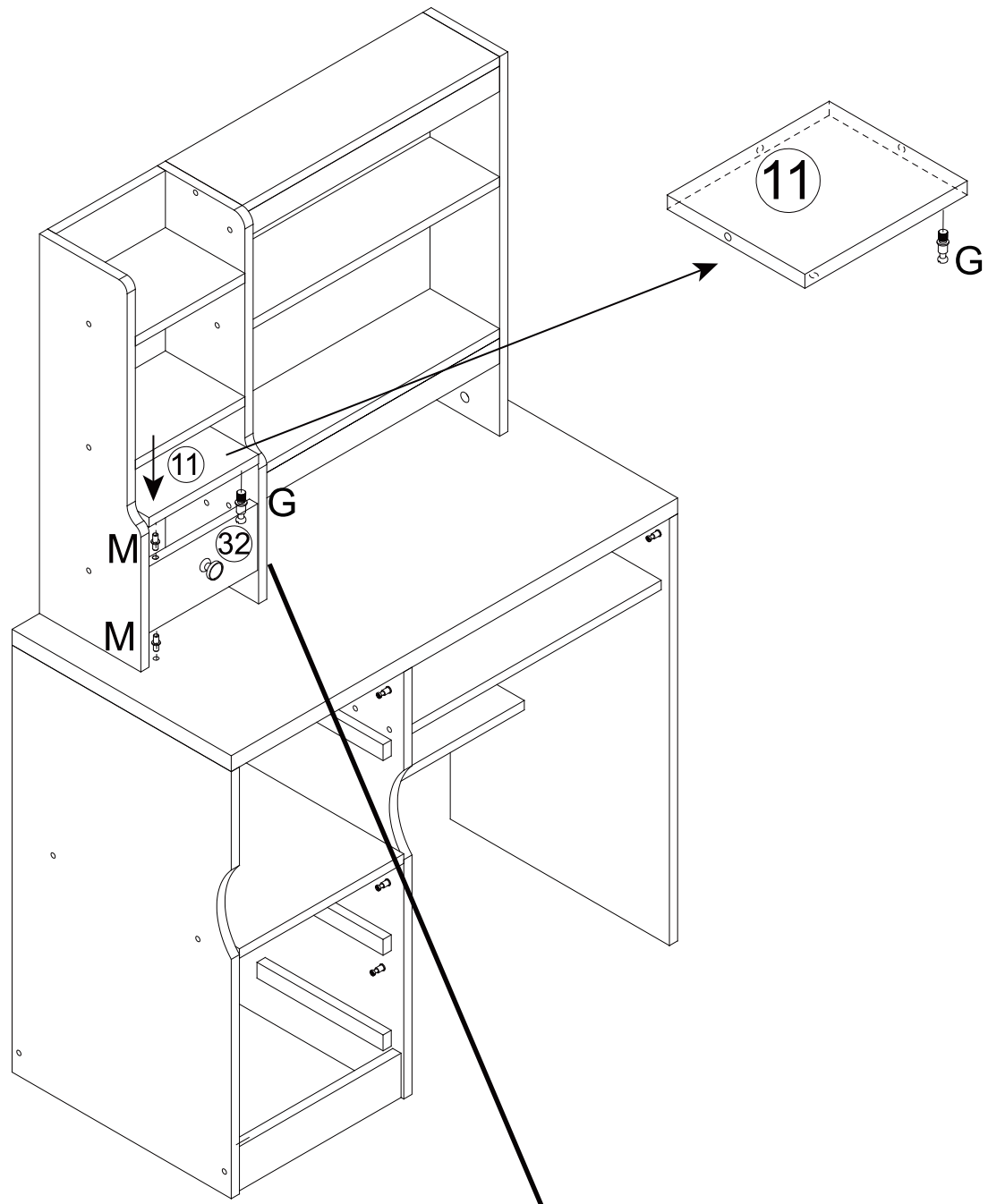
Step 13



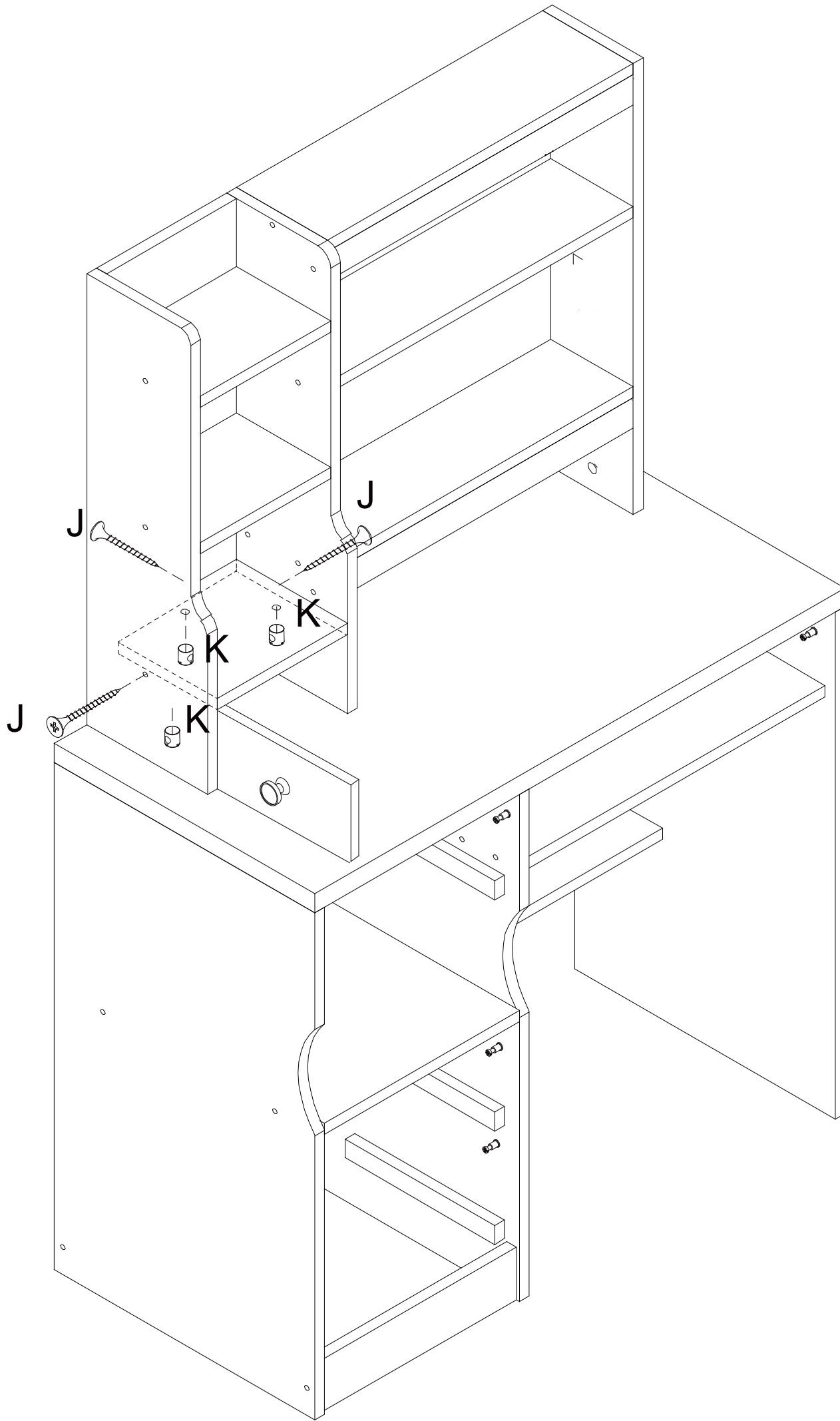
Step 14



Step 15

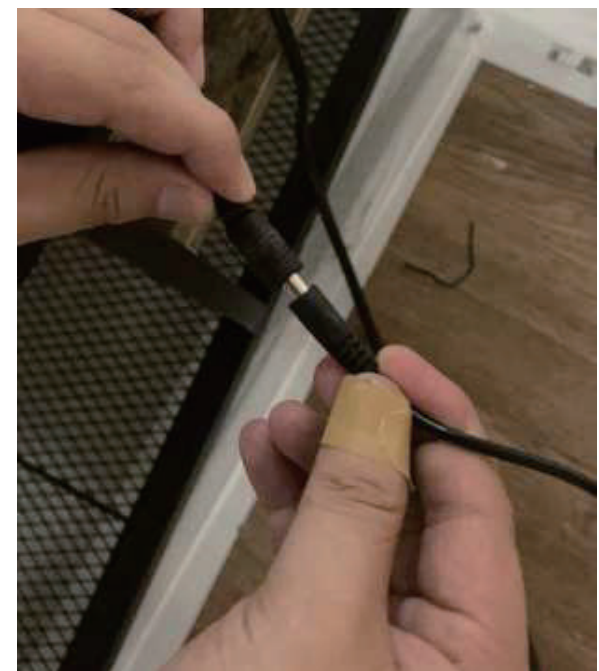
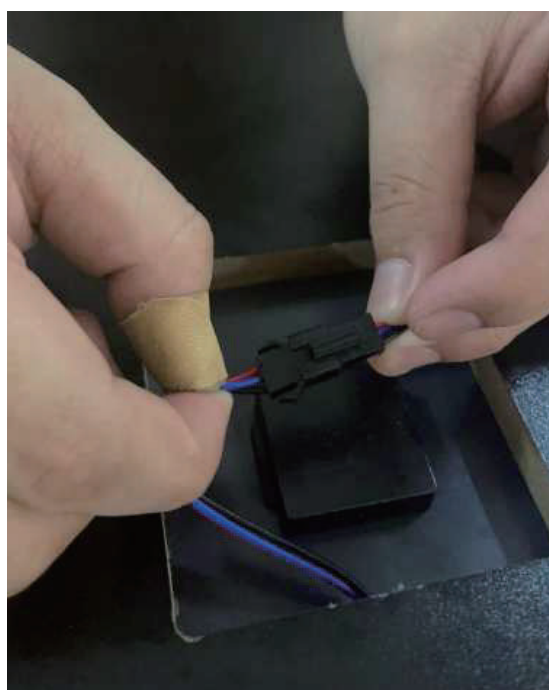
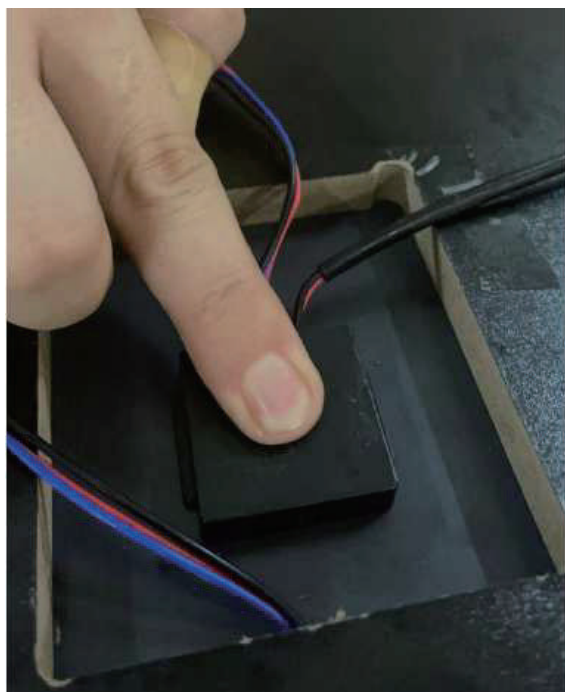
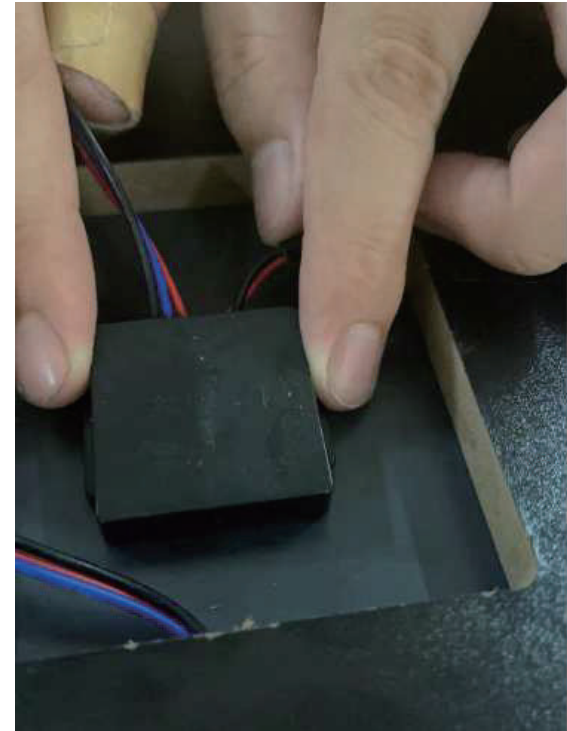
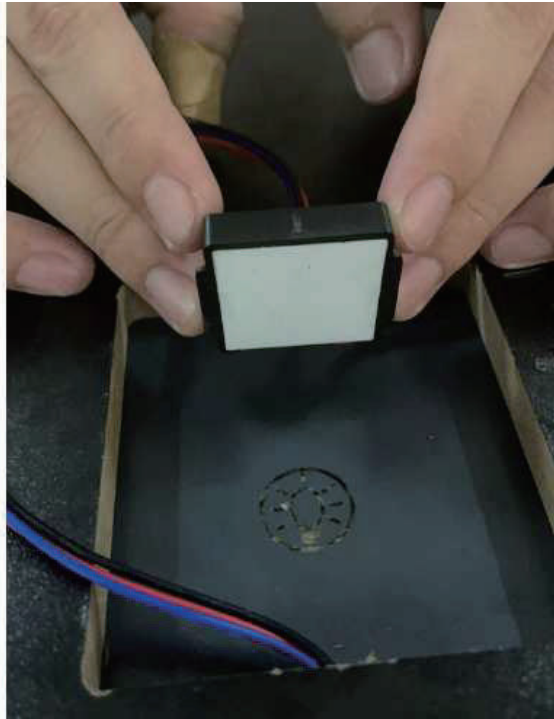
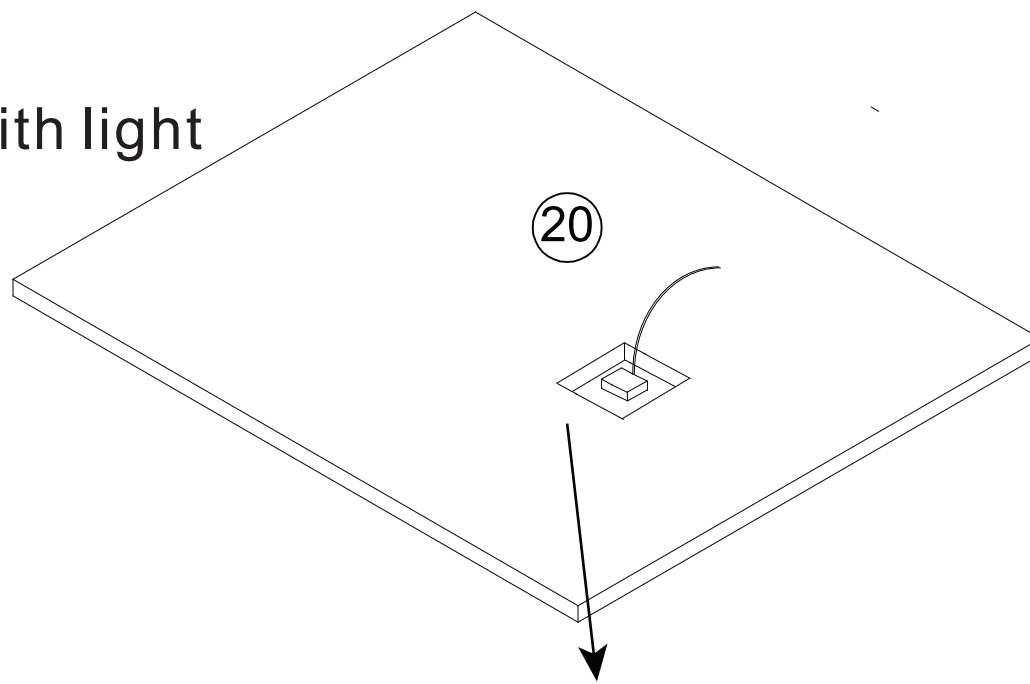


Step 16



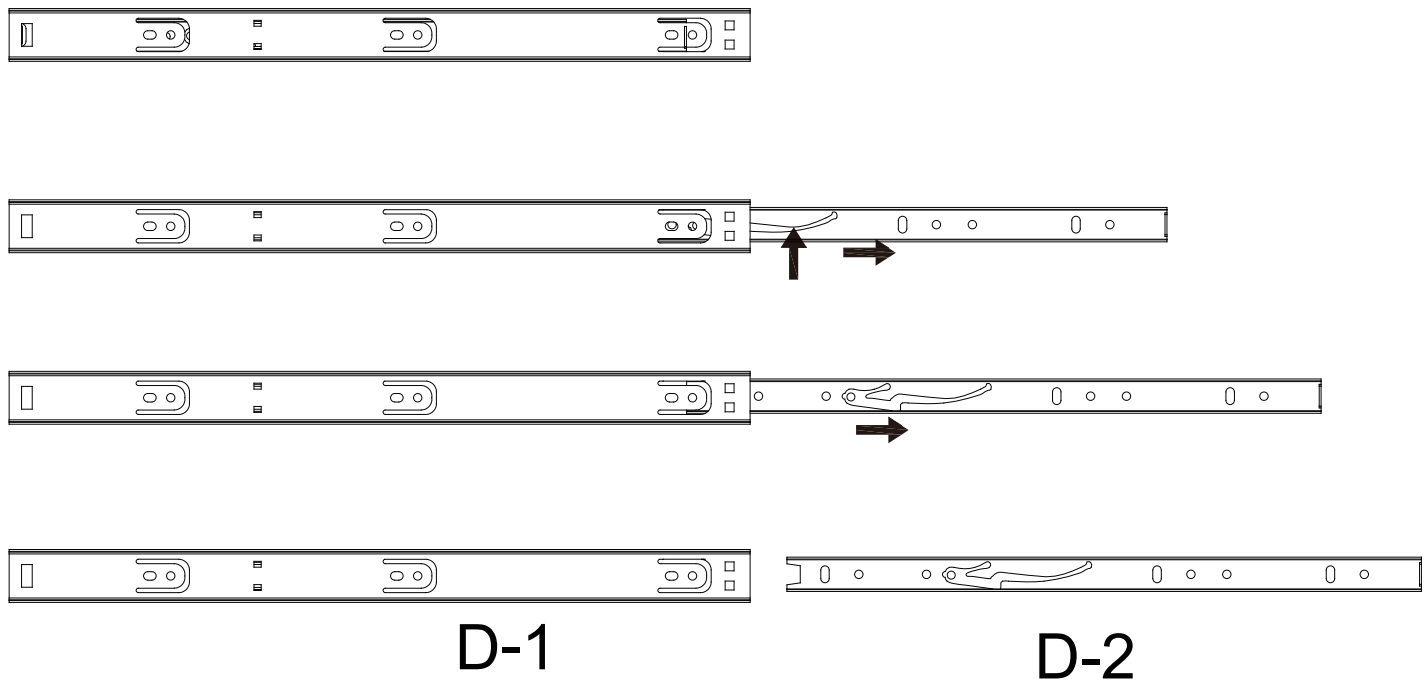
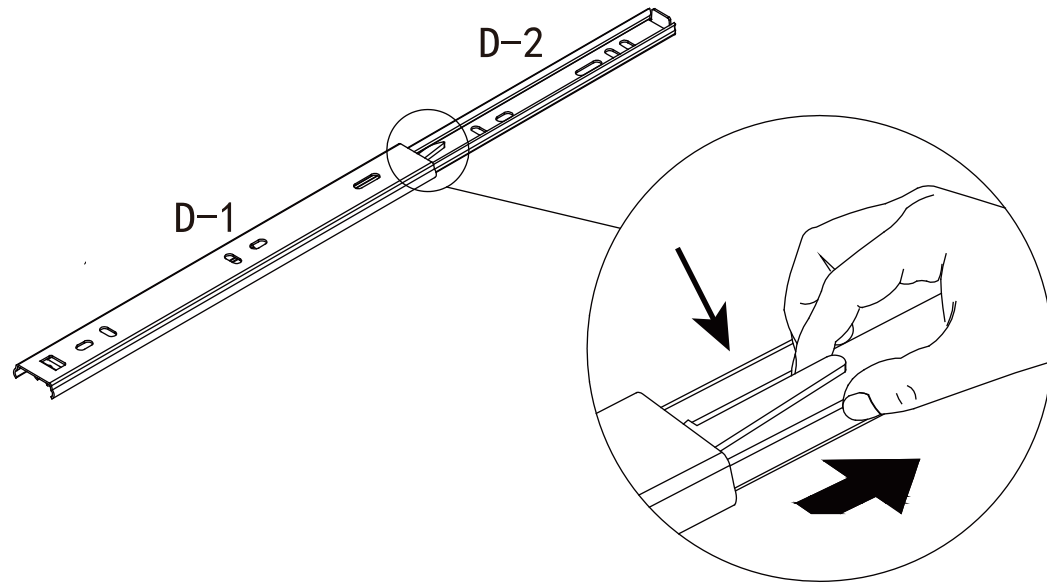
## Step 17

For vanity table with light

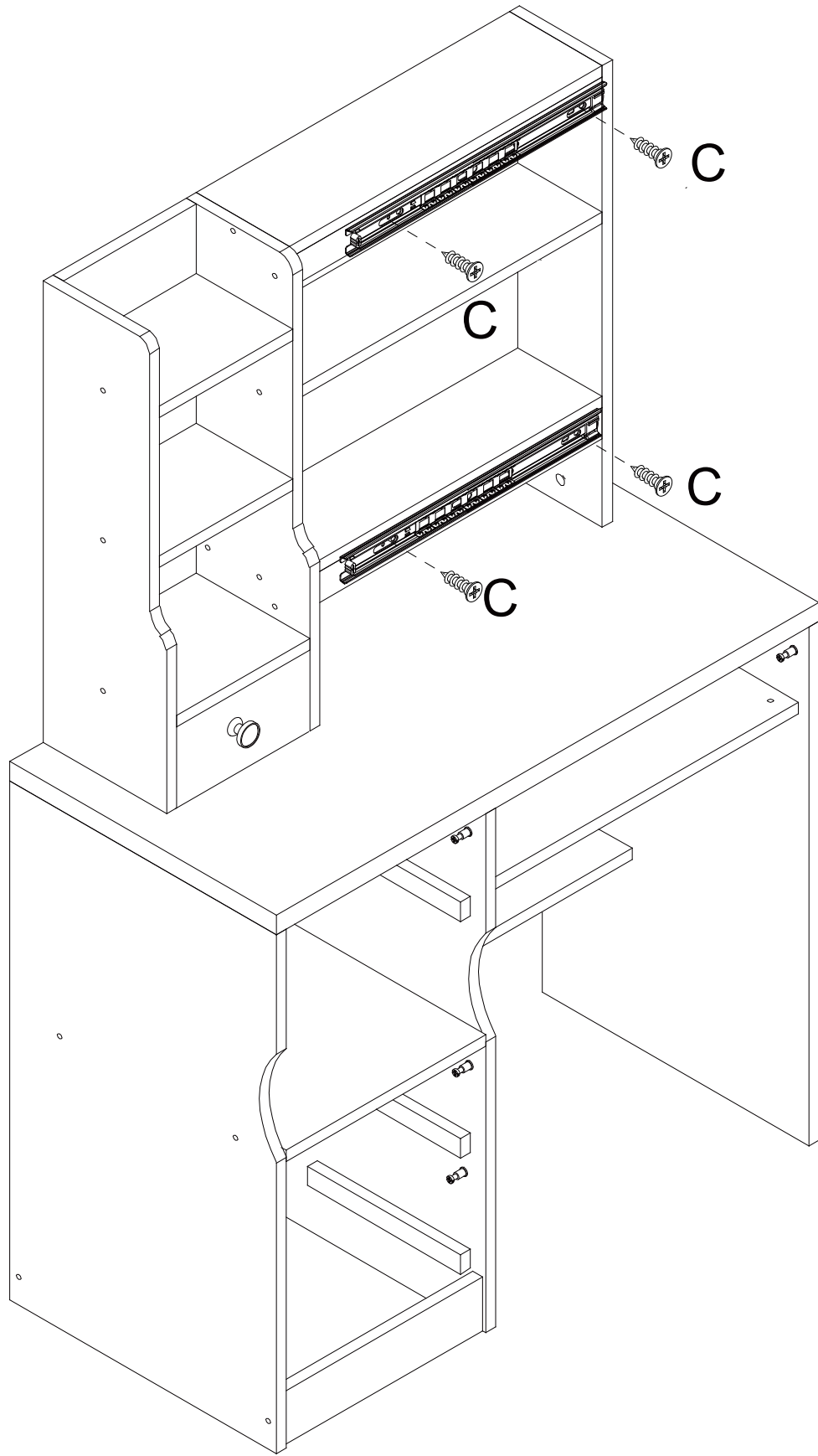


If your vanity table include a LED mirror light, please test the light in this step. Touch the switch button on the mirror to turn on the mirror light, click the switch button to change the color of the light, and long press the switch button to adjust the brightness. If the switch button is not sensitive, you can check whether the touch switch is tightly attached to the mirror back as shown in the diagram. If it is not tightly attached, please use your fingers to press the touch switch to the designated position and check if the connecting wire is OK.

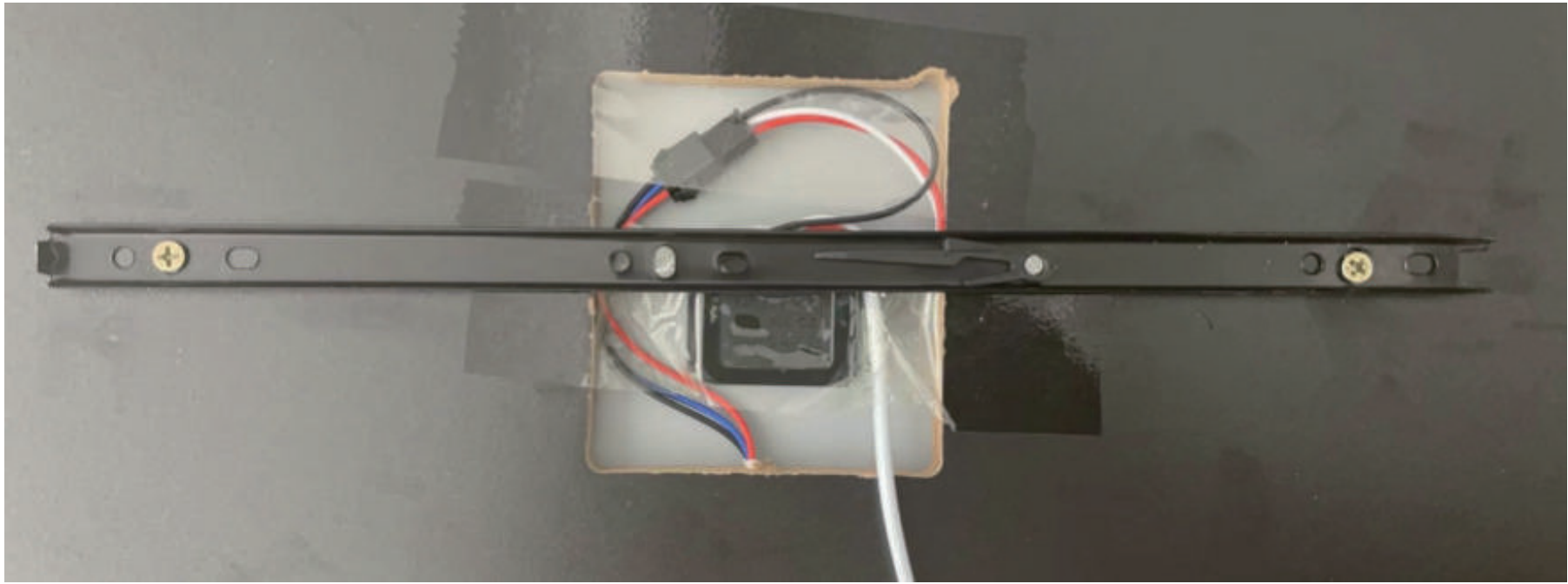
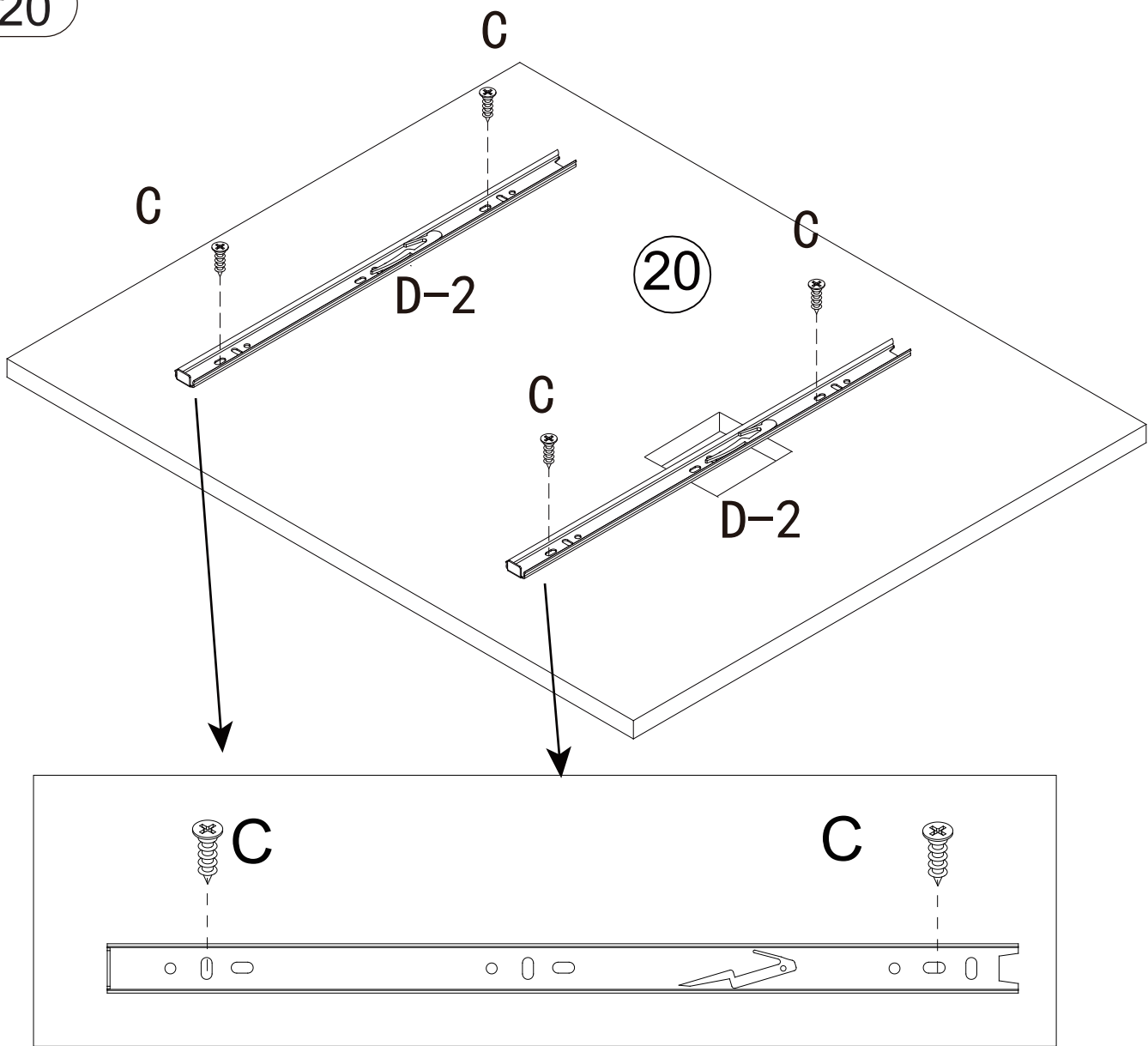
Step 18



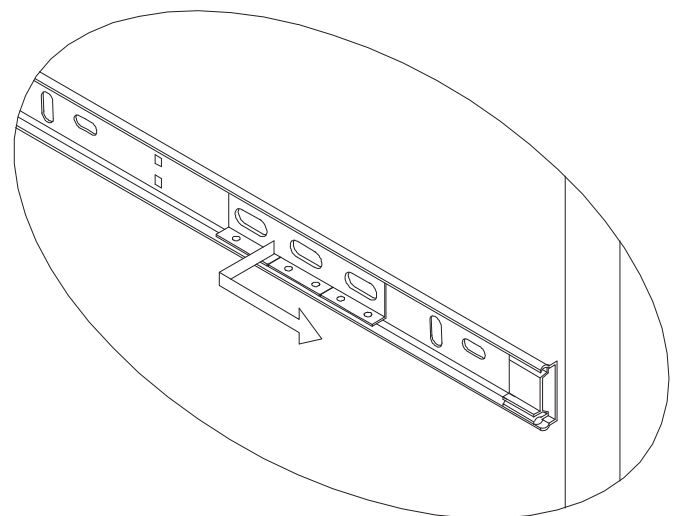
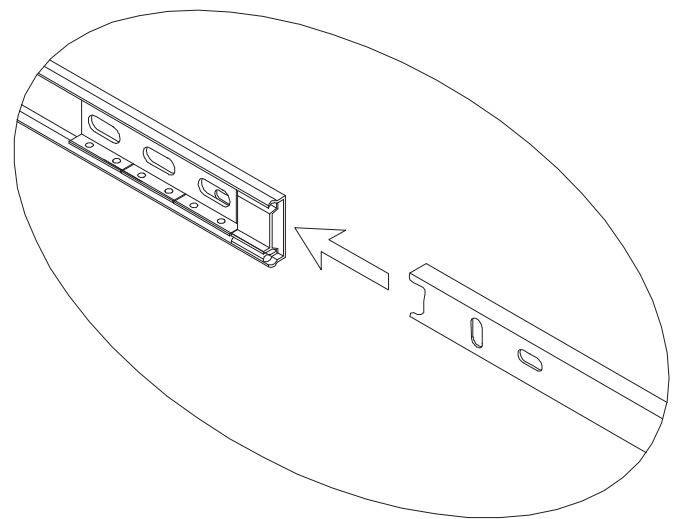
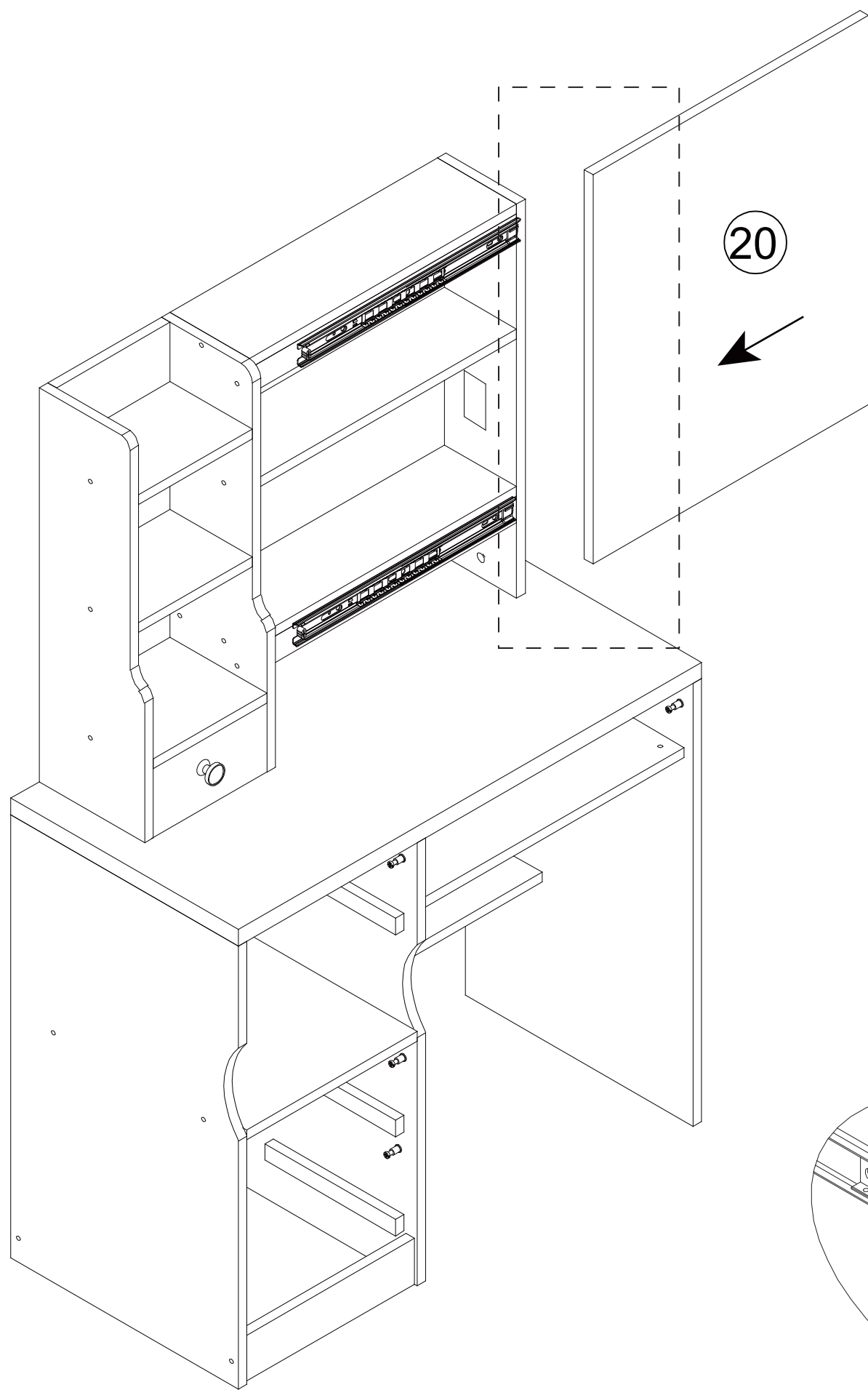
Step 19



Step 20



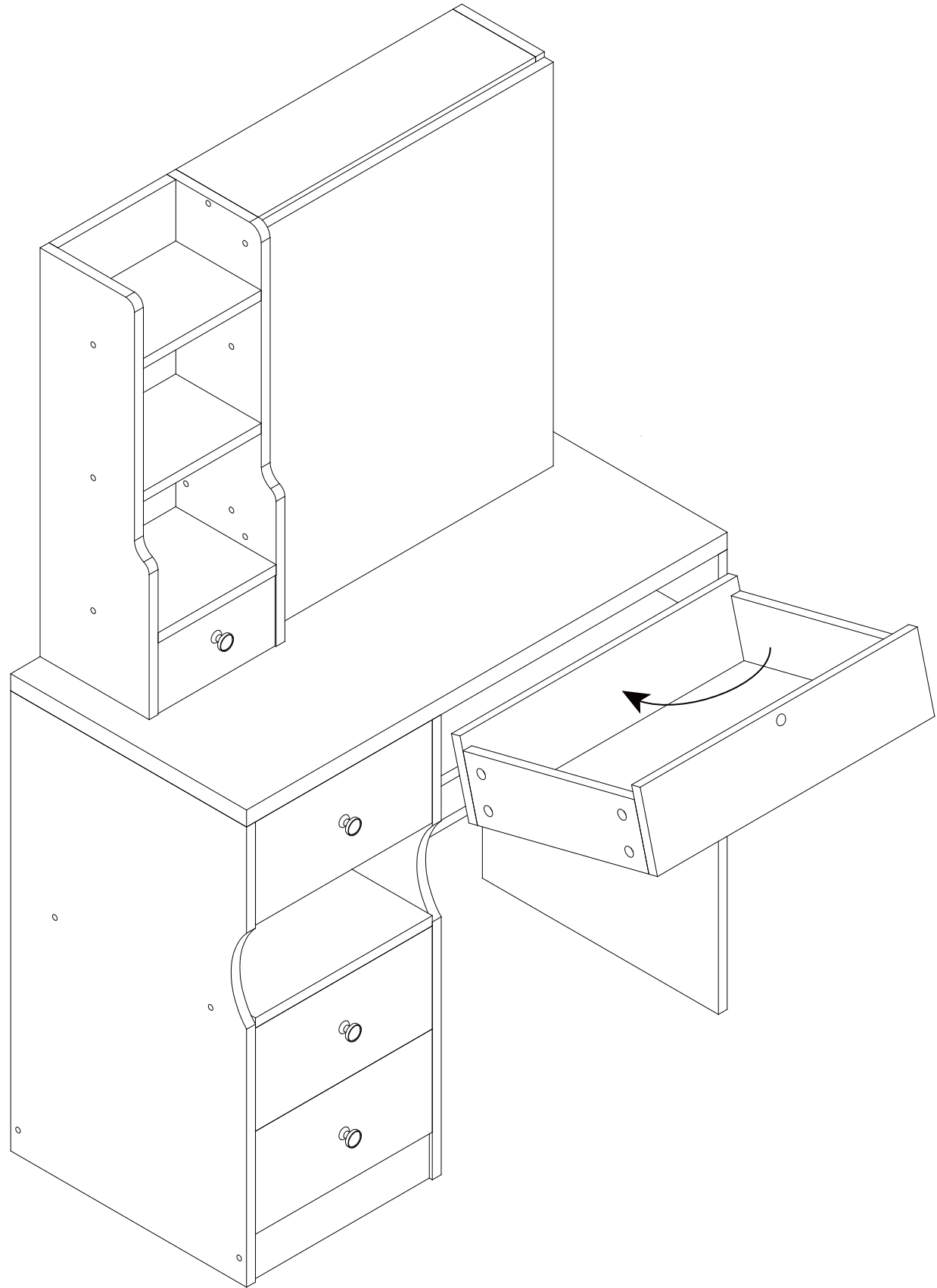
Step 21



Step 22

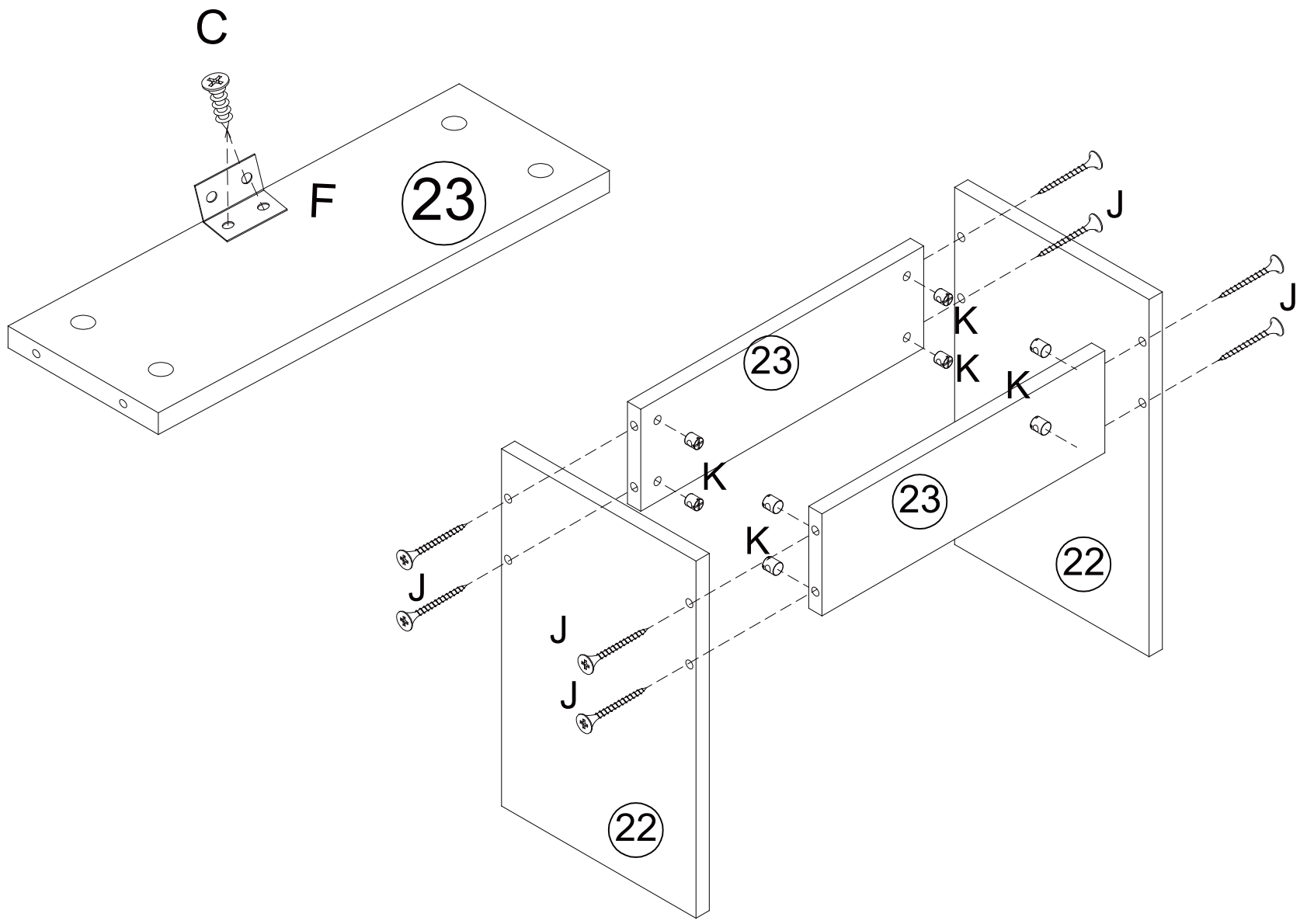


## Step 23



Please note that when placing the drawer in, the drawer positioning pin will block the drawer. Therefore, please follow the diagram to first insert the inner edge of the drawer using a concave method, and then push the drawer flat.

Step 24



Step 24

