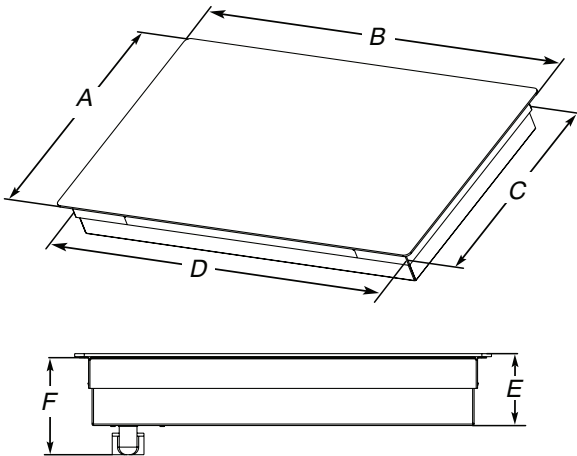


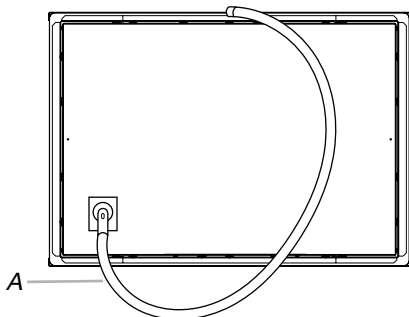
- The cooktop should be installed away from strong draft areas, such as windows, doors, fans or strong heating vents. The cooktop should be located for convenient use in the kitchen.
- Use the countertop opening dimensions that are given with these Installation Instructions. Given dimensions are minimum clearances and provide 0" (0 cm) clearance.
- Grounded electrical supply is required. See "Electrical Requirements" section.

**IMPORTANT:** To avoid damage to your cabinets, check with your builder or cabinet supplier to make sure that the materials used will not discolor, delaminate, or sustain other damage.

## Product Dimensions



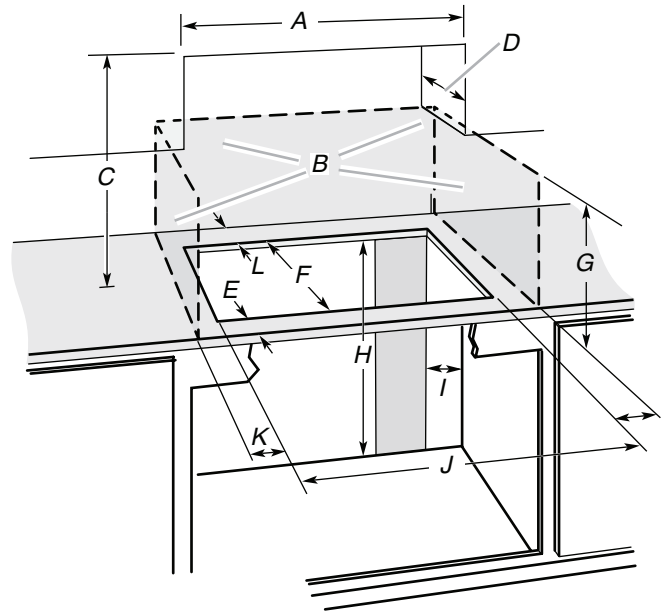
- A. Glass depth - black and white models - 21 <sup>3</sup>/<sub>4</sub>" (55.2 cm)  
Glass depth - stainless steel models - 22 <sup>1</sup>/<sub>8</sub>" (56.4 cm)
- B. Glass width - 24" (60.9 cm) models - 23 <sup>13</sup>/<sub>16</sub>" (60.5 cm)  
Glass width - 30" (76.2 cm) models - 30 <sup>13</sup>/<sub>16</sub>" (78.4 cm)  
Glass width - 36" (91.4 cm) models - 36 <sup>5</sup>/<sub>16</sub>" (92.3 cm)
- C. Frame depth - 20 <sup>5</sup>/<sub>16</sub>" (51.6 cm)
- D. Frame width - 24" (60.9 cm) models - 21 <sup>59</sup>/<sub>64</sub>" (55.7 cm)  
Frame width - 30" (76.2 cm) models - 29" (73.7 cm)  
Frame width - 36" (91.4 cm) models - 34 <sup>7</sup>/<sub>16</sub>" (87.5 cm)
- E. Cooktop height with bottom heat shield - 3 <sup>7</sup>/<sub>8</sub>" (9.8 cm)  
Cooktop height lighted knobs - 4 <sup>15</sup>/<sub>16</sub>" (12.55 cm)
- F. Cooktop height including conduit (located at rear of cooktop, right side) - 5" (12.7 cm)  
Cooktop height lighted knobs, including conduit (located at rear of cooktop, right side) - 6 <sup>1</sup>/<sub>16</sub>" (15.4 cm)



A. Location of Power Cord (length of power cord is 48" (121.9 cm), including the conduit)

## Cabinet Dimensions

**IMPORTANT:** If installing a range hood or microwave hood combination above cooking surface, follow the range hood or microwave hood combination installation instructions for dimensional clearances above the cooktop surface.



- A. 24" (60.9 cm) on 24" models; 30" (76.2 cm) on 30" models; 36" (91.4 cm) on 36" models
- B. Combustible area above countertop (shown by dashed box above)
- C. 30" (76.2 cm) minimum clearance between top of cooktop platform and bottom of uncovered wood or metal cabinet (24" [61 cm] minimum clearance if bottom of wood or metal cabinet is covered by not less than <sup>1</sup>/<sub>4</sub>" [0.6 cm] flame retardant millboard covered with not less than No. 28 MSG sheet steel, 0.015" [0.04 cm] stainless steel, or 0.024" [0.06 cm] aluminum or 0.020" [0.05 cm] copper)
- D. 13" (33 cm) recommended upper cabinet depth
- E. 2" (5.1 cm)
- F. 20 <sup>1</sup>/<sub>2</sub>" (52.0 cm) recommended cutout.  
Will fit in cutout from 20 <sup>3</sup>/<sub>8</sub>" - 20 <sup>9</sup>/<sub>16</sub>" (51.8-52.2 cm).
- G. 18" (45.7 cm) minimum clearance from upper cabinet to countertop within minimum horizontal clearances to cooktop
- H. Junction box or outlet: 7" (17.8 cm) minimum from top of countertop
- I. Junction box or outlet: 9" (23.0 cm) maximum from right side of cabinet
- J. 29 <sup>1</sup>/<sub>2</sub>" (74.9 cm) recommended cutout on 30" (76.2 cm) models.  
Will fit in cutout from 29 <sup>1</sup>/<sub>16</sub>" - 29 <sup>9</sup>/<sub>16</sub>" (73.8-75.1 cm) on 30" (76.2 cm) models.  
35 <sup>1</sup>/<sub>2</sub>" (90.2 cm) recommended cutout on 36" (91.4 cm) models.  
Will fit in cutout from 34 <sup>9</sup>/<sub>16</sub>" - 35 <sup>9</sup>/<sub>16</sub>" (87.8-90.3 cm) on 36" (91.4 cm) models.  
22 <sup>5</sup>/<sub>16</sub>" (56.67 cm) recommended cutout on 24" (61.0 cm) models.  
Will fit in cutout from 22 <sup>1</sup>/<sub>4</sub>" - 22 <sup>3</sup>/<sub>7</sub>" (56.4 - 57.0 cm) on 24" (61.0 cm) models.
- K. 2 <sup>1</sup>/<sub>2</sub>" (6.35 cm) minimum distance to nearest left and right side combustible surface above cooktop
- L. 1 <sup>1</sup>/<sub>2</sub>" (3.81 cm) minimum clearance between back wall and countertop

**NOTES:** After making the countertop cutout, some installations may require notching down the base cabinet side walls to clear the cooktop base. To avoid this modification, use a base cabinet with sidewalls wider than the cutout.

If cabinet has a drawer, a 5 <sup>1</sup>/<sub>2</sub>" (14.0 cm) depth clearance from the top of the countertop to the top of the drawer (or other obstruction) in base cabinet is required.