

ASSEMBLY INSTRUCTIONS

Dining Table

EEl-7466 / V0.11.18.25

modway



Questions? Contact us!
609.256.9000
cs@modway.com

Welcome.

Let's get started.

Before you begin, here are some things to keep in mind:

Assembly will take most people **about 30 minutes**. Consider having a friend help you!

Only use hand tools to assemble this item. Do not use power tools. Do not tighten bolts or screws completely until all hardware is lined up and inserted into the holes.

Read through all of the instructions before starting. Make sure you have all parts and components before discarding any packing materials.

Do not over-tighten screws and bolts to avoid stripping the hardware or cracking the item.

Assemble your item on a flat, carpeted area, with plenty of space to work. This will prevent damage and scratches to your floors or the item while you're assembling the product.

Keep all components and packaging out of reach of children or animals to avoid risk of choking or suffocation.

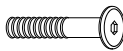
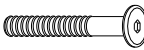


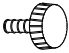

Care instructions are listed in the last step of this manual.

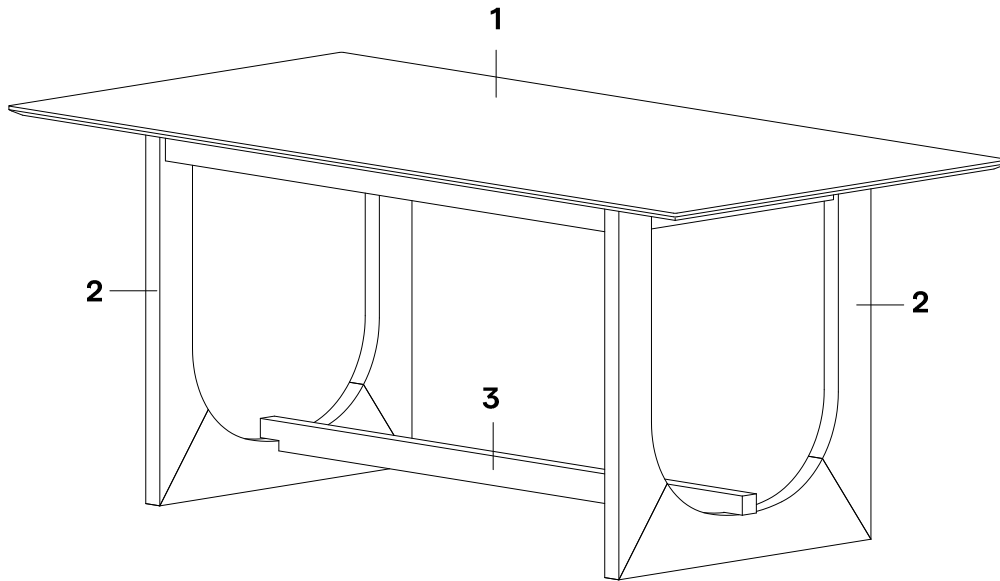
WAIT!

Missing parts or hardware? Need assistance?
Contact us before returning your item.
We're here to help!



HARDWARE INCLUDED IN THE BOX:

A		Screw M6 x 40 mm	x12
B		Screw M6 x 100 mm	x2
C		Spring Washer 6mm	x14
D		Flat Washer 6mm	x12
E		Adjuster Base Glide C99	x4
F		Allen Key M4	x1



1	TableTop	x1	2	Table Leg	x2	3	Center Support Rail	x1
---	----------	----	---	-----------	----	---	---------------------	----

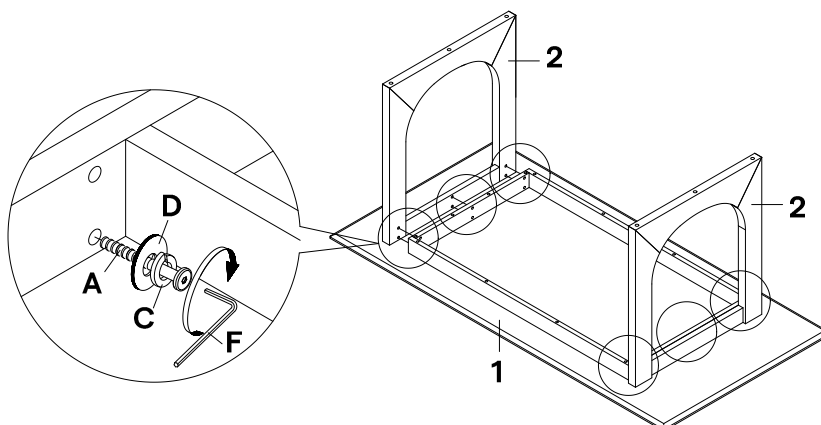
STEP 01

HARDWARE

- A** Screw M6 x 40mm x12
- C** Spring Washer 6mm x12
- D** Flat Washer 6mm x12
- F** Allen Key M4 x1

COMPONENTS

- 1** Table Top x1
- 2** Table Leg x2



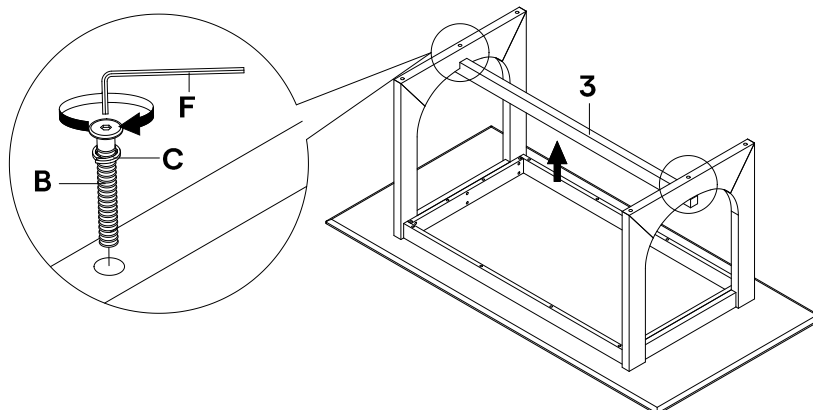
STEP 02

HARDWARE

- B** Screw M6 x 100mm x2
- C** Spring Washer 6mm x2
- F** Allen Key M4 x1

COMPONENTS

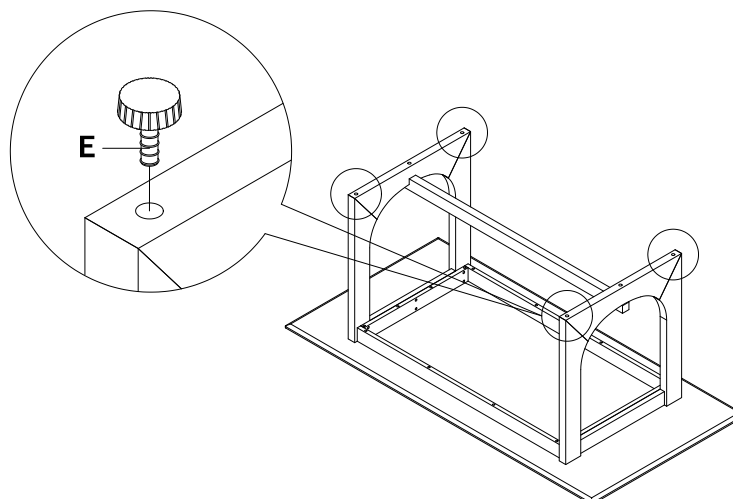
- 3** Center Support Rail x1



STEP 03

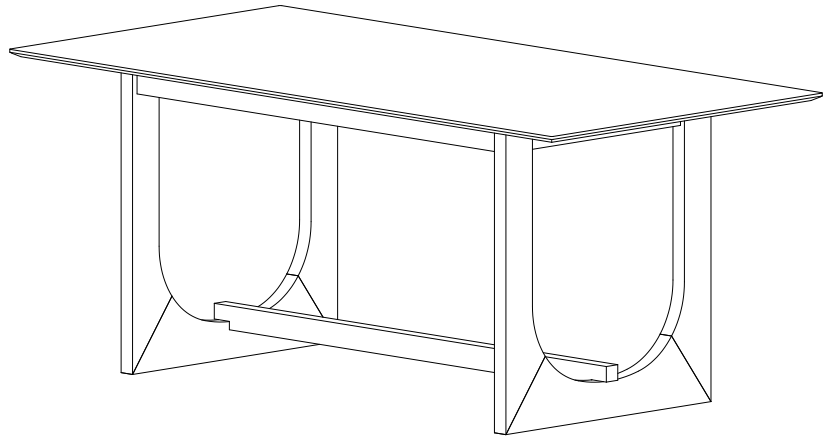
HARDWARE

- E** Adjuster Base Glide C99 x4



Great job!

Dining Table assembly is complete.



CARING FOR YOUR ITEM

- Indoor use only.
- Not contract grade.
- Clean using a non-abrasive cloth and a mild cleaner.
- Never use harsh chemicals, as they could damage the finish or integrity of the item.



CONNECT WITH US!

Tag us [@modway_furniture](#) and [#modway](#) for a chance to be featured.

modway



Questions? Contact us!
609.256.9000
cs@modway.com