

Features

- Set includes: Cabinet, precut Silestone® quartz vanity top, sink, cabinet legs, cabinet hardware, mounting hardware for sink.
- Vanity top has single faucet hole with pilot holes for optional 8" (203 mm) widespread faucet configuration.
- Three-way adjustable slow-close door hinges with 110° opening capability for easy cabinet access.
- Full-extension 18" (457 mm) depth drawer with soft-close undermount slides for smooth opening.
- Solid wood drawer with dovetail joint construction.
- Vanity top is covered under the Silestone® 25-Year Limited Warranty.
- Silestone® quartz provides exceptional durability and stain resistance, making it easy to maintain.
- Caxton® Rectangle undermount sink has a streamlined design that is easy to clean.
- Customize your storage with optional in-door and in-drawer accessories and medicine cabinet surrounds and side kits (sold separately).
- Optional vanity top side and backsplashes available (sold separately).

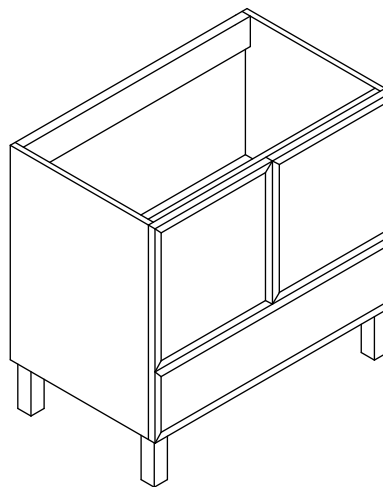
Material

- Solid wood and veneer vanity.
- Silestone® quartz vanity top.
- Vitreous china sink.
- Premium metal hardware for durability and reliability.

Included Components

Product consists of:

99506-LG
28250
EC20000
99685



Codes/Standards

EPA TSCA Title VI
CARB P2

KOHLER® One-Year Limited Warranty

See website for detailed warranty information.

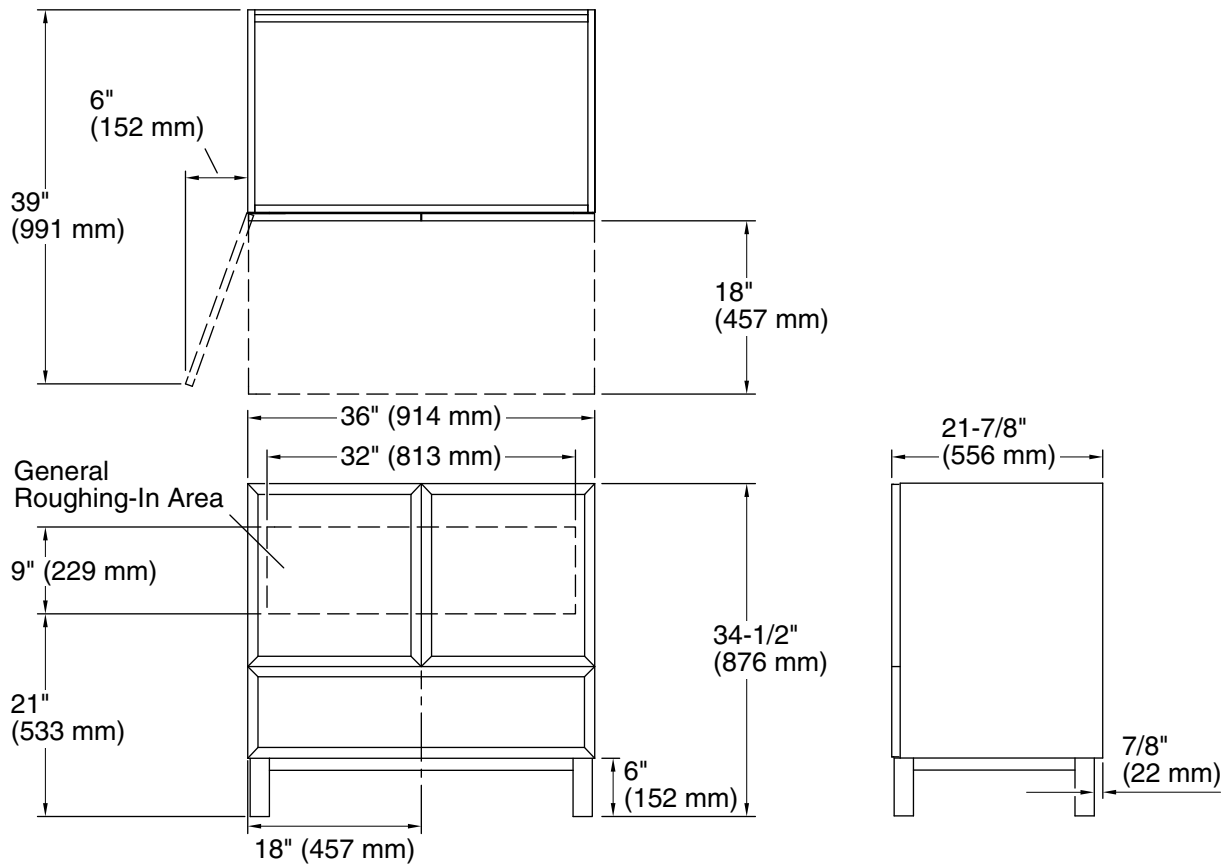
Available Colors/Finishes

Color tiles intended for reference only.

Color Code Description

1WA

1WC



Technical Information

All product dimensions are nominal.