



SharkBite® Poly Barb Fittings

DESCRIPTION

SharkBite® poly barb fittings are for use in residential or commercial applications.

Applications:

- Hot and cold potable water systems
- Radiant Heating (glycol up to 100% mix)



FEATURES AND BENEFITS

Broad line of fittings and manifolds:

A typical barb system offers the lowest material cost.

Secure connection

Tabs hold ring in correct position to ensure a good seal.

CLAMP ring connections (see Installation Guide for details):

The time saving clamp rings and tool offer reduced equipment cost, one tool clamps all sizes and the necessity to check each fitting ring with a go / no-go gauge is eliminated.

CRIMP ring connections (see Installation Guide for details):

Copper crimp rings and the heavy-duty tool with interchangeable jaws, does not require calibration and allows each joint to be checked with a go / no-go gauge.

SPECIFICATION

Using the PEX plastic pipe cutters to cut the pipe to length, making sure that you have a good square cut. Slide the correct size SharkBite clamp or crimp ring over the pipe approximately 2" past the end of the pipe. Push the pipe onto the SharkBite barbed fitting until it touches the fitting shoulder. Position the clamp or crimp ring 1/8"-1/4" from the end of the tube. When making clamp connections, position the open jaws of the clamp tool over the raised tabs of the clamp ring and squeeze. Verify the connection is secure by visually checking the clamp tab. Make crimp connections by placing the jaws of the crimp tool over the copper crimp ring and squeezing until the jaws close completely. Verify that the connection is secure using the go / no-go gauge.



SPECIFICATION DATA

Materials:

Poly Barb fittings Acudel

Performance:

Maximum pressure 200 psi

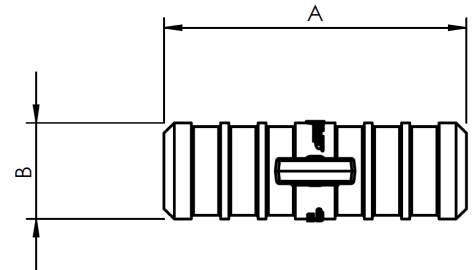
Maximum temperature 160°F (71°C)

Service Potable water

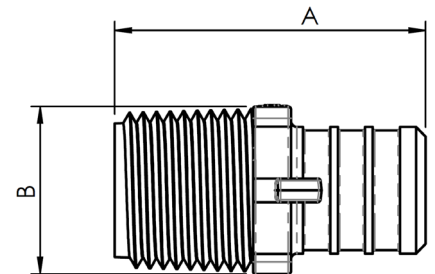
CERTIFICATIONS

The SharkBite barb fittings and crimp rings meet ASTM F877 requirements. Poly barb meets ASTM F2159 and ANSI/NSF61, copper crimp rings meet ASTM F1807, and clamp rings meet ASTM F2098 requirements. All SharkBite® PEX Pipe system components are listed to the NSF/ANSI 14 Standard.

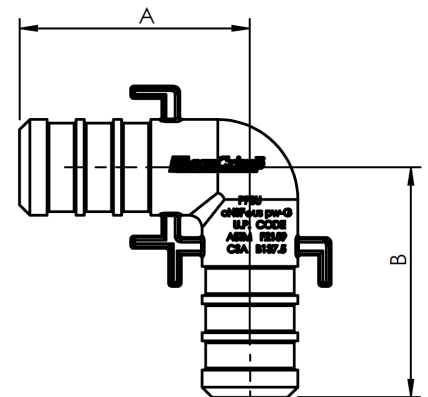
SKU	Description	A (in)	B (in)	Weight (g)
UP008	1/2" x 1/2" COUPLING	1.490	0.474	2.670
UP058	3/4" x 1/2" COUPLING	1.512	0.668	4.186
UP016	3/4" x 3/4" COUPLING	1.490	0.668	5.131
UP060	1" x 3/4" COUPLING	1.662	0.856	7.736
UP020	1" x 1" COUPLING	1.790	0.856	9.854



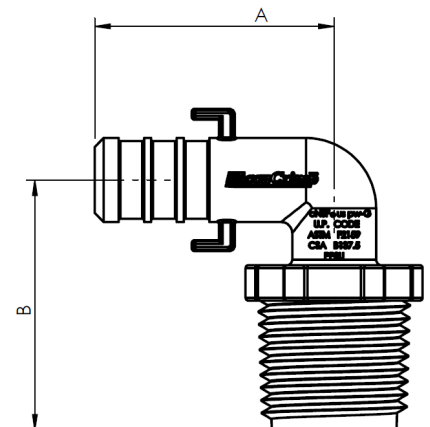
SKU	Description	A (in)	B (in)	Weight (g)
UP134	3/4" x 3/4" MNPT ADAPTER	1.640	1.245	10.359
UP138	3/4" x 1/2" MNPT ADAPTER	1.640	1.000	7.333
UP120	1/2" x 1/2" MNPT ADAPTER	1.690	1.000	6.646



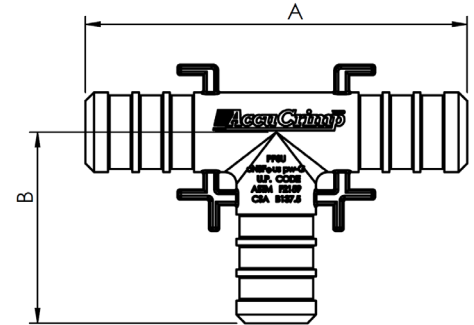
SKU	Description	A (in)	B (in)	Weight (g)
UP248	1/2" x 1/2" ELBOW	1.137	1.137	4.204
UP274	3/4" x 1/2" ELBOW	1.127	1.252	7.022
UP256	3/4" x 3/4" ELBOW	1.262	1.262	8.814
UP260	1" x 1" ELBOW	1.542	1.542	16.482



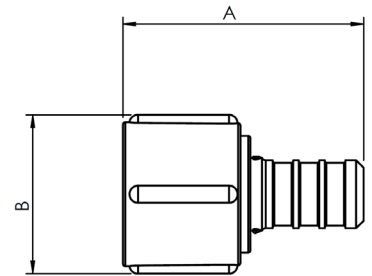
SKU	Description	A (in)	B (in)	Weight (g)
UP280	1/2" x 1/2" MNPT ELBOW	1.353	1.411	8.499



SKU	Description	A (in)	B (in)	Weight (g)
UP362	1/2" x 1/2" x 1/2" TEE	2.274	1.137	6.001
UP408	1/2" x 1/2" x 3/4" TEE	2.524	1.137	8.343
UP454	3/4" x 1/2" x 1/2" TEE	2.280	1.262	8.532
UP444	3/4" x 1/2" x 3/4" TEE	2.525	1.262	10.894
UP412	3/4" x 3/4" x 1/2" TEE	2.275	1.262	9.871
UP370	3/4" x 3/4" x 3/4" TEE	2.524	1.262	12.402
UP414	1" x 3/4" x 3/4" TEE	2.675	1.387	16.695
UP415	1" x 1" x 1/2" TEE	2.575	1.392	15.897
UP416	1" x 1" x 3/4" TEE	2.825	1.392	18.919
UP374	1" x 1" x 1" TEE	3.085	1.542	23.095



SKU	Description	A (in)	B (in)	Weight (g)
UP526	1/2 SWIVEL ADAPTER x 1/2 FIP	1.680	1.104	8.916
UP532	1/2 SWIVEL ELBOW x 1/2 FIP	1.353	1.452	13.505



SKU	Description	A (in)	B (in)	Weight (g)
UP514	1/2" TEST CAP	0.825	0.560	1.752
UP518	3/4" TEST CAP	0.825	0.754	3.418
UP520	1" TEST CAP	0.975	0.942	6.159

