

SPECIFICATIONS

Electric control part:

Input Voltage:100-240Vac 50/60Hz

Duty cycle:10%MAX 2min on 18min off

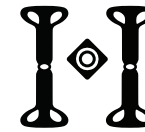
Desk frame part:

Dynamic load:80KG

The maximum static load:100KG

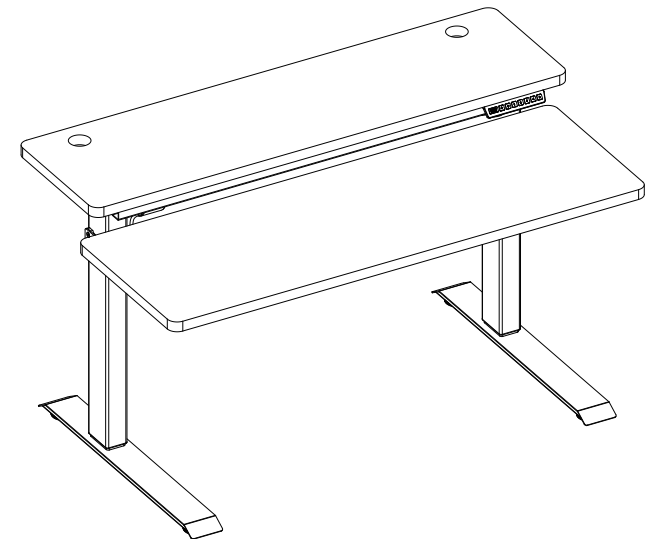
Safety warning

- 1.Please read this manual carefully before use.
- 2.The product must be connected to the correct power supply.
- 3.For any accessories connected to the control box, the plug type and electrical characteristics must conform to its specifications.
- 4.Indoor use only.
- 5.If the transformer's external cable is damaged and need to be replaced,new accessory will be provided by the manufacturer or its service agent.



HEARTHSTONE

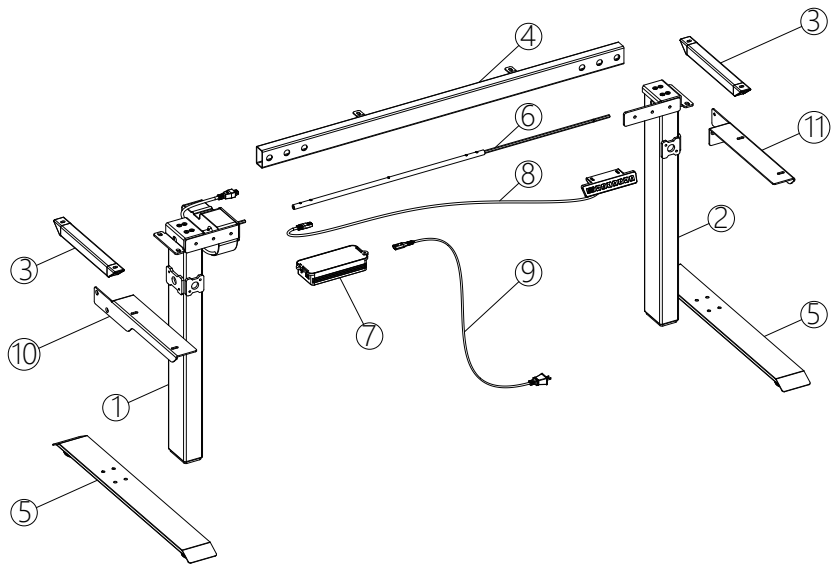
Home Furniture




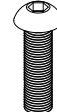





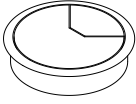
Assembly Instruction

Item#:FLI20781

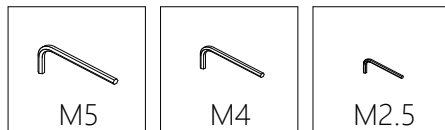
INSTALLATION INSTRUCTION



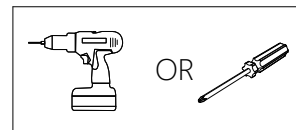
HARDWARE INCLUDED

<p>A QTY:10</p>  <p>M8*10</p>	<p>B QTY:8</p>  <p>M8*30</p>	<p>C QTY:8</p>  <p>M6*16</p>	<p>D QTY:8</p>  <p>M6*8</p>	<p>E QTY:4</p>  <p>ST4.2*16</p>
<p>F QTY:2</p>  <p>ST5.0*16</p>	<p>G QTY:6</p> 	<p>H QTY:2</p> 		

TOOLS INCLUDED



TOOLS REQUIRED



DIRECTIONS FOR USE

■ Advanced Function Settings

Reset original status: Press "↑" and "↓" in 10 seconds till hear a bee sound , now the system into factory default data.

Limited height setting: Press "↑" and "↓" key for 5 seconds till heard a bee sound , limited height setting success.
(minimum limited height < 96 , maximum limited height > 97).

Lock and unlock: Press "↑" and "S" key for 5 seconds , Screen display "LOC" , system locked up, Press "↓" and "S" key for 5 seconds, screen display "LOC" turn to number , system unlocked.

S-1	Click "S" Key	↑ 0 Metric ↓ 1 Inch
Metric and Inch exchange		
S-2	Click "S" Key	↑ 0 shut down ↓ 1 The most insensitive 8 The most sensitive
Gyroscope anti collision sensitivity		
S-3	Click "S" Key	↑ 0 shut down ↓ 1 The most insensitive 8 The most sensitive
Current up anti collision sensitivity		
S-4	Click "S" Key	↑ 0 shut down ↓ 1 The most insensitive 8 The most sensitive
Current down anti collision sensitivity		
S-5	Click "S" Key	Use ↑ or ↓ adjust the basement height
Basement height		
S-6	Click "S" Key	↑ 0 Long pressing desk running, hands off desk stop running ↓ 1 Click desk running, second click to stop running
"S" key height operation choose		
S-7	Click "S" Key	↑ 0 Indicate shutting 2min/18 min duty recycle, controller under temperature protection ↓ 1 Indicate start 2min/18min duty recycle
Operation duty recycle		
S-8	Click "S" Key	↑ 0 shut down ↓ 1 0.5° 2 1.0° 3 1.5° 4 2.0° 5 2.5° 6 3.0° 7 3.5° 8 4.0°
Desk surface decline sensitivity Select		

Click "S" key to back, setting success

Pressing "S" key for 5 second till digital screen display "S-1", press "↑" or "↓" key to choose

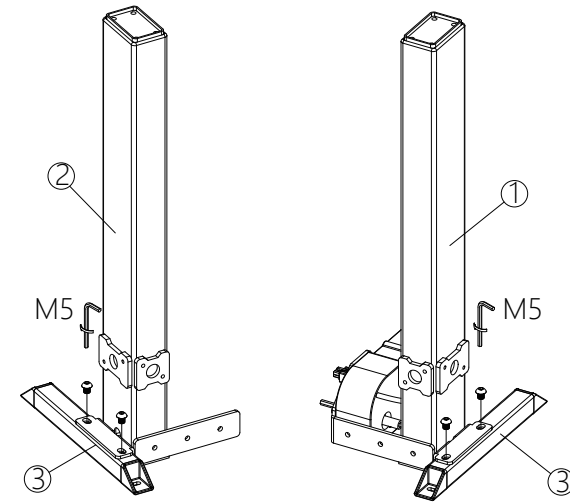
INSTALLATION INSTRUCTION

STEP 1

A | QTY: 4



M8*10

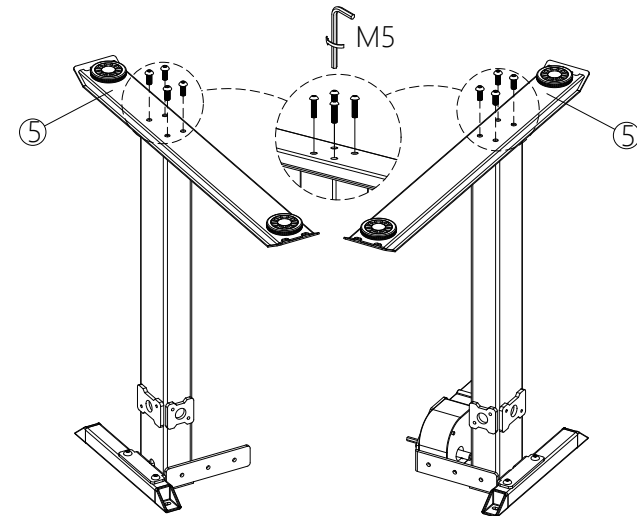


STEP 2

B | QTY: 8


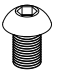


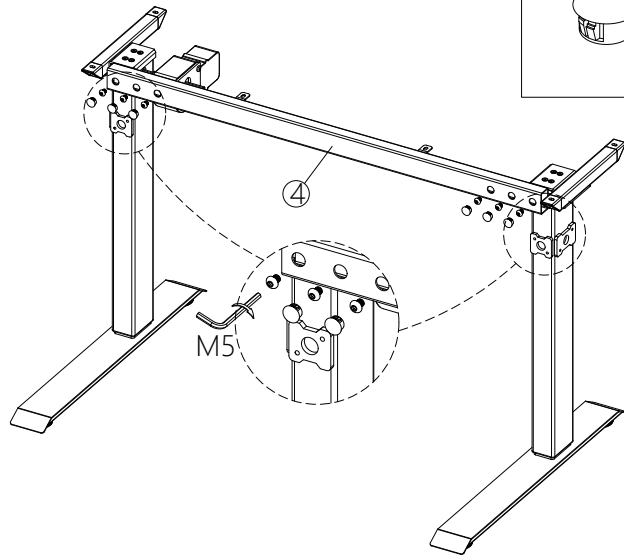
M8*30



INSTALLATION INSTRUCTION

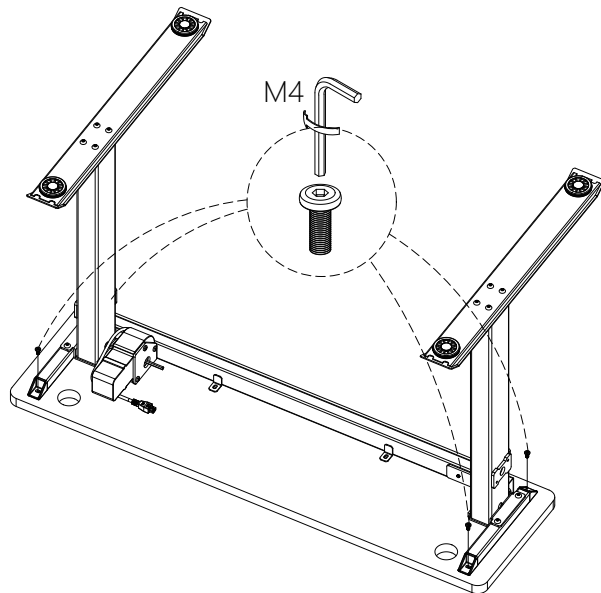
STEP 3

G	QTY:6	A	QTY:6
			
		M8*10	

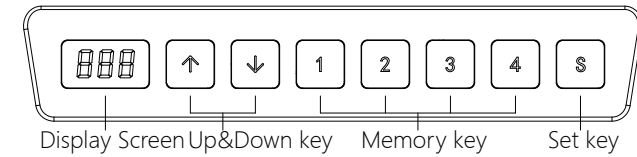


STEP 4

C	QTY:4
	
M6*16	



DIRECTIONS FOR USE



The whole handset surface is a button panel. If there is no press within 30 seconds, the screen is locked and 1/2/3/4/S keys are locked correspondingly, you should press Up or Down key first, it can be used when the display screen light up.

■ Display Screen

Display the height value of the desk.

■ Up & Down Keys

Please keep pressing UP/DOWN key to adjust desk height until you get an optimum height.

■ Memory Key (1/2/3/4)

After setting memory keys, the desk can lift automatically to memory height.

✗ How to set memory mode

Click the "S" key when running to a specific point. The display screen displays "S-" and "-" flashes.

At this time, press "1-4" button to store the position to the corresponding label. the memory height is successfully saved, Then light press 1/2/3/4, the desk moves to memory height automatically.

■ Set Key(S)

Press the "S" key when memory bits and internal parameters need to be set.

■ Initialization

1. When "RST" is on the display screen, press the "↓" button until the desk frame reaches its lowest point. After hearing the "di" sound and desk frame rebounds, initialization is completed.

(PS. The button cannot be released during this operation, otherwise the initialization will fail)

2. Forced initialization: Press the "↓" button until the desk frame reaches its lowest point, then release the button and press it again for about 5 seconds until hear the "di" sound and desk frame rebound, and the initialization is completed.

3. Restore the factory settings: When new controller is changed or the parameters need to be restored to the factory settings, press the "↓" and "↑" buttons simultaneously, you will hear the first "di" sound after about 5 seconds and second "di" sound after 10 seconds. When the display screen shows "RST", please operate refer to the No.1 item.

■ Safety Function

When the desktop is on the rise or down, encountered reverse resistance, the desk will rebound.

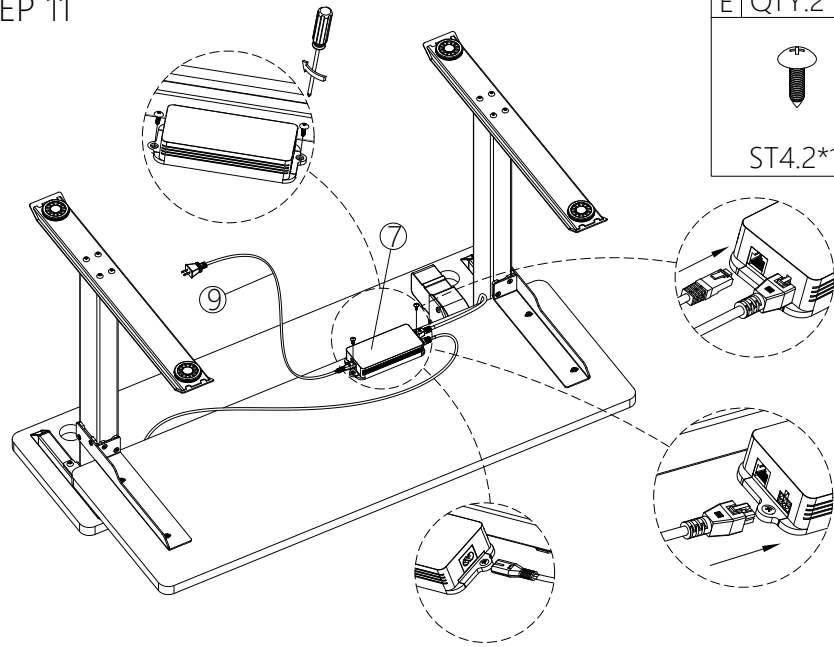
■ Handset shows error code and solution

Error code	Fault cause	Solution
E1,E6,E7	power fault	change power
E2	nsynchronous height over 1cm	Implement the initialization operation 1
E4	handset fault	Unplug and replug the cable of handset
E5	Anticollision alert	Rebound reminder, normal condition
E8	desktop sloping	check the desktop
E11,E21	Motor defect	inspect the motor wire
E12,E22	controller fault	Exchange the controller
E14~E17,E24~E27	motor fault	change motor
E18,E28	overloading	reduce the loading
HOT	overtime operation	Automatic recovery after stop using for 20 minutes

INSTALLATION INSTRUCTION

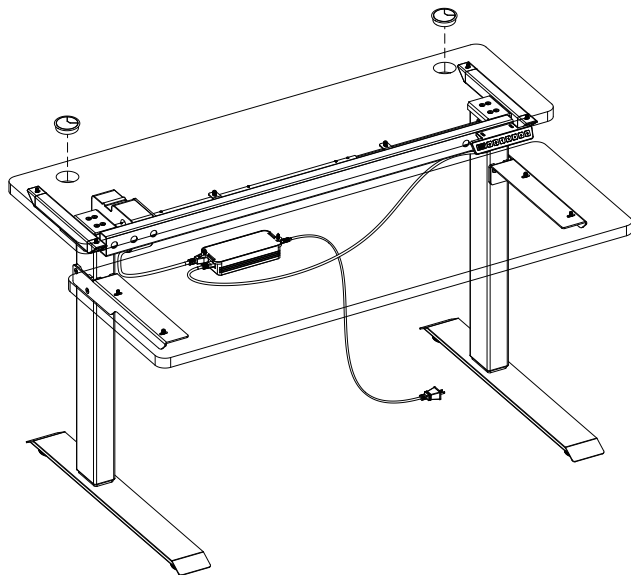
STEP 11

E | QTY:2
ST4.2*16



STEP 12

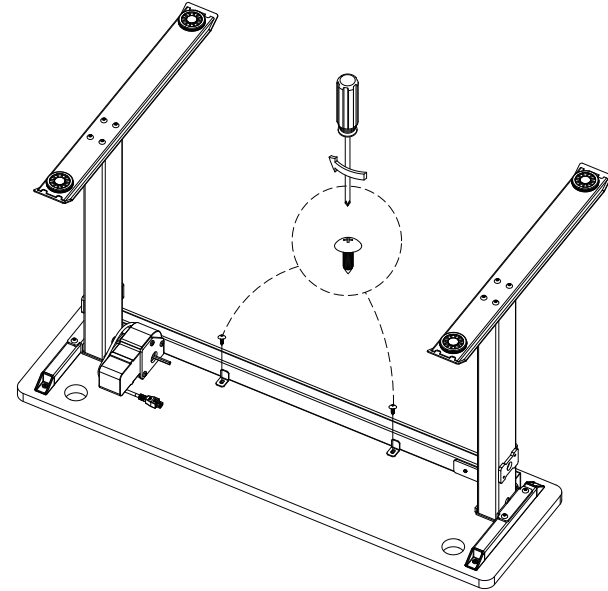
H | QTY:2



INSTALLATION INSTRUCTION

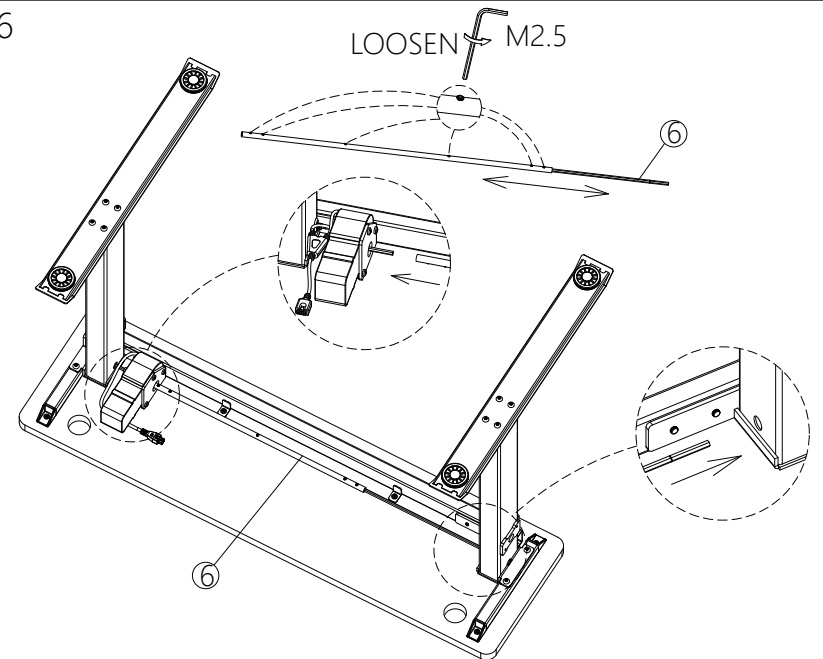
STEP 5

F | QTY:2
ST5.0*16



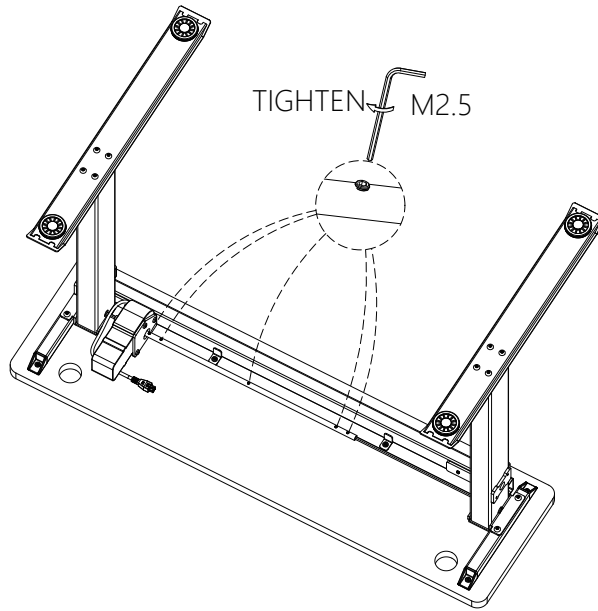
STEP 6

LOOSEN M2.5




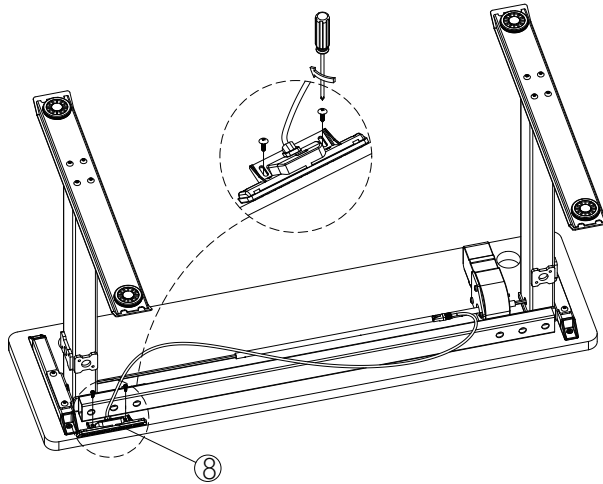
INSTALLATION INSTRUCTION

STEP 7




STEP 8

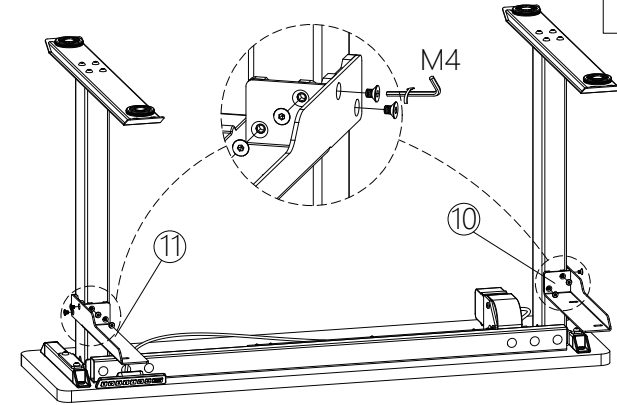
E QTY:2

ST4.2*16




INSTALLATION INSTRUCTION

STEP 9

D QTY:8

M6*8



STEP 10

C QTY:4

M6*16

