



# Underscore® Rectangle 6' Bubblemassage™ Whirlpool Bath K-1174-XH2G



## Features

- Center drain.
- Slotted overflow allows for deep soaking.
- Variable-speed pump for adjusting hydromassage intensity.
- Integral lumbar support and armrests for comfort.
- 72" (1829 mm) x 42" (1067 mm) x 23" (584 mm)

## Material

- Acrylic

## Hydrotherapy

- Automatic purge cycles remove residual water from air channels after use.
- Pump with air switch for whirlpool.
- Single-speed whirlpool offers eight fully adjustable hydro-massage jets for water flow and direction.
- 118-122 BubbleMassage™ airjets.
- Zones of Control™ feature allows you to target airjet massage to back, midsection, or feet.
- Built-in 1500 W heater.
- Variable-speed blower lets you adjust airjet massage intensity to 18 levels.
- Lighted keypad control.

## Installation

- Drop-in or under-mount.

## Required Accessories

K-7271 Brass Slotted Overflow Bath Drain

or

K-7272 PVC Slotted Overflow Bath Drain

or

K-9698 Flexjet® Whirlpool Trim Kit

## Recommended Accessories

K-1491 Bath/Whirlpool Pillow

K-1601 Bath/Whirlpool Footstop

K-9497 2-1/2" Keypad Trim

K-593 Under-Mount Installation Kit

K-24916 Wireless Music Kit

K-592 Under-Mount Installation Kit



## Codes/Standards

ASME A112.19.7/CSA B45.10

CSA B45.5/IAPMO Z124

ASTM E162

ASTM E662

UL 1795

CSA C22.2 No. 218.2

Greenguard UL 2818 - Gold

**KOHLER® Plastic Baths and Receptors  
Lifetime Limited Warranty**

**KOHLER® Hydrotherapy Components  
Five-Year Limited Warranty**

See website for detailed warranty information.

## Available Color/Finishes

*Color tiles intended for reference only.*

Color	Code	Description
	0	White
	96	Biscuit
	47	Almond
	NY	Dune
	95	Ice™ Grey
	G9	Sandbar
	K4	Cashmere
	58	Thunder™ Grey

1-800-4KOHLER (1-800-456-4537)

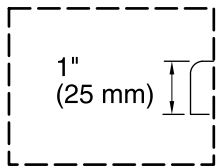
Kohler Co. reserves the right to make revisions without notice to product specifications.

For the most current Specification Sheet, go to [www.kohler.com](http://www.kohler.com).

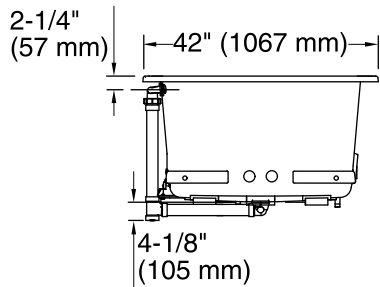
9-28-2018 08:48

THE BOLD LOOK  
OF **KOHLER**®

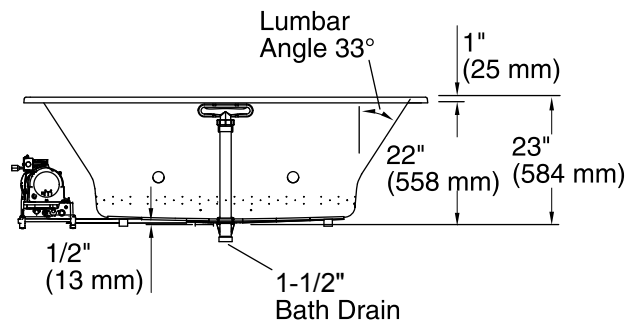
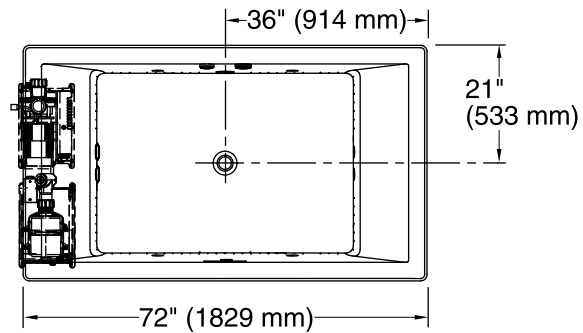
No change in measurements if connected with drain illustrated. (K-7272)



**Drop-in Rim Detail**



Blower Motor/  
Control Access  
30" (762 mm) W x  
15" (381 mm) H Min



### Required Electrical Service

One dedicated circuit required, protected with Class A Ground-Fault Circuit-Interrupter (GFCI) or Residual Current Device (RCD).

Blower, Pump: 220-240 V, 20 A, 50/60 Hz

### Technical Information

All product dimensions are nominal.

Installation:	Drop-in, Under-mount
Drain location:	Center
Basin area, bottom:	45-3/4" x 32" (1162 mm x 813 mm)
Basin area, top:	66" x 36" (1676 mm x 914 mm)
Weight:	203 lbs (92.1 kg)
Minimum floor load:	64.1 lbs/ft <sup>2</sup> (313 kg/m <sup>2</sup> )
Water depth:	19" (483 mm)
Water capacity:	139 gal (526.2 L)
Cutout:	Drop-in, 71-1/2" x 41-1/2" (1816 mm x 1054 mm)
Electrical component rating:	Blower: 220-240 V, 3 A, 50/60 Hz Pump: 220-240 V, 11 A, 50/60 Hz
Minimum flat for door:	2-1/2" (64 mm)

### Notes

Measure your actual product for rough-in details. Install this product according to the installation instructions.

The hot water supply should be 70% of the capacity of the bath or greater. Installations will vary.

Kit is required for under-mount installations (sold separately).

**IMPORTANT!** Dry fit the drain assembly prior to installing the bath. The bath cannot be installed with all drain components attached.