



Underscore® Rectangle

5' BubbleMassage™ Bath

K-1167-RFG



Features

- 122 airjets release thousands of bubbles that surround, support, and massage the body.
- Variable-speed blower lets you adjust massage intensity to 18 levels.
- Zones of Control feature allows you to target massage to back, midsection, or feet.
- Lighted keypad.
- Molded lumbar support offers extra comfort while bathing.
- Integral flange helps prevent water from seeping behind wall and simplifies alcove installation.
- Slotted overflow allows for deep soaking.
- Immediate and manual purge cycles remove residual water from air channels after use.
- Requires K-7271 or K-7272 Clearflo slotted overflow bath drain (sold separately).
- Right-hand drain.

Material

- Acrylic

Hydrotherapy

- BubbleMassage

Installation

- Three-wall alcove.
- Requires 240V hard-wire electrical service.

Additional Hydrotherapy Options

- Soaking Bath - 1121-R
- Soaking Bath + Bask heated surface - 1121-RW
- BubbleMassage air bath - 1167-RFG
- BubbleMassage air bath + chromatherapy - 1167-RGCR
- BubbleMassage air bath + Bask heated surface + chromatherapy - 1167-GCRRW
- VibrAcoustic + BubbleMassage air bath - 1167-GVR
- VibrAcoustic + BubbleMassage air bath + Bask heated surface + chromatherapy - 1167-GVCRW
- BubbleMassage air bath + Bask heated surface - 1167-GRW
- Whirlpool + heater - 1167-RH2
- VibrAcoustic - 1167-RVB
- VibrAcoustic + chromatherapy - 1167-RVBC
- VibrAcoustic + chromatherapy + Bask heated surface - 1167-VCRW
- VibrAcoustic + Bask heated surface - 1167-VBRW
- Whirlpool + BubbleMassage air bath - 1167-XH2GR

Required Products/Accessories

K-7271 Brass Slotted Overflow Bath Drain



ADA

Codes/Standards

ASME A112.19.7/CSA B45.10
 CSA B45.5/IAPMO Z124
 ASTM E162
 ASTM E662
 UL 1795
 CSA C22.2 No. 218.2
 Greenguard UL 2818 - Gold
 ADA
 ICC/ANSI A117.1

KOHLER® Plastic Baths and Receptors

Lifetime Limited Warranty

KOHLER® Hydrotherapy Components

Five-Year Limited Warranty

See website for detailed warranty information.

Available Colors/Finishes

Color tiles intended for reference only.

Color Code Description

Color	Code	Description
	0	White
	96	Biscuit
	47	Almond
	NY	Dune
	95	Ice™ Grey

1-800-4KOHLER (1-800-456-4537)

Kohler Co. reserves the right to make revisions without notice to product specifications.

For the most current Specification Sheet, go to www.kohler.com.

1-31-2019 10:13 - US/CA

THE BOLD LOOK
OF **KOHLER**®

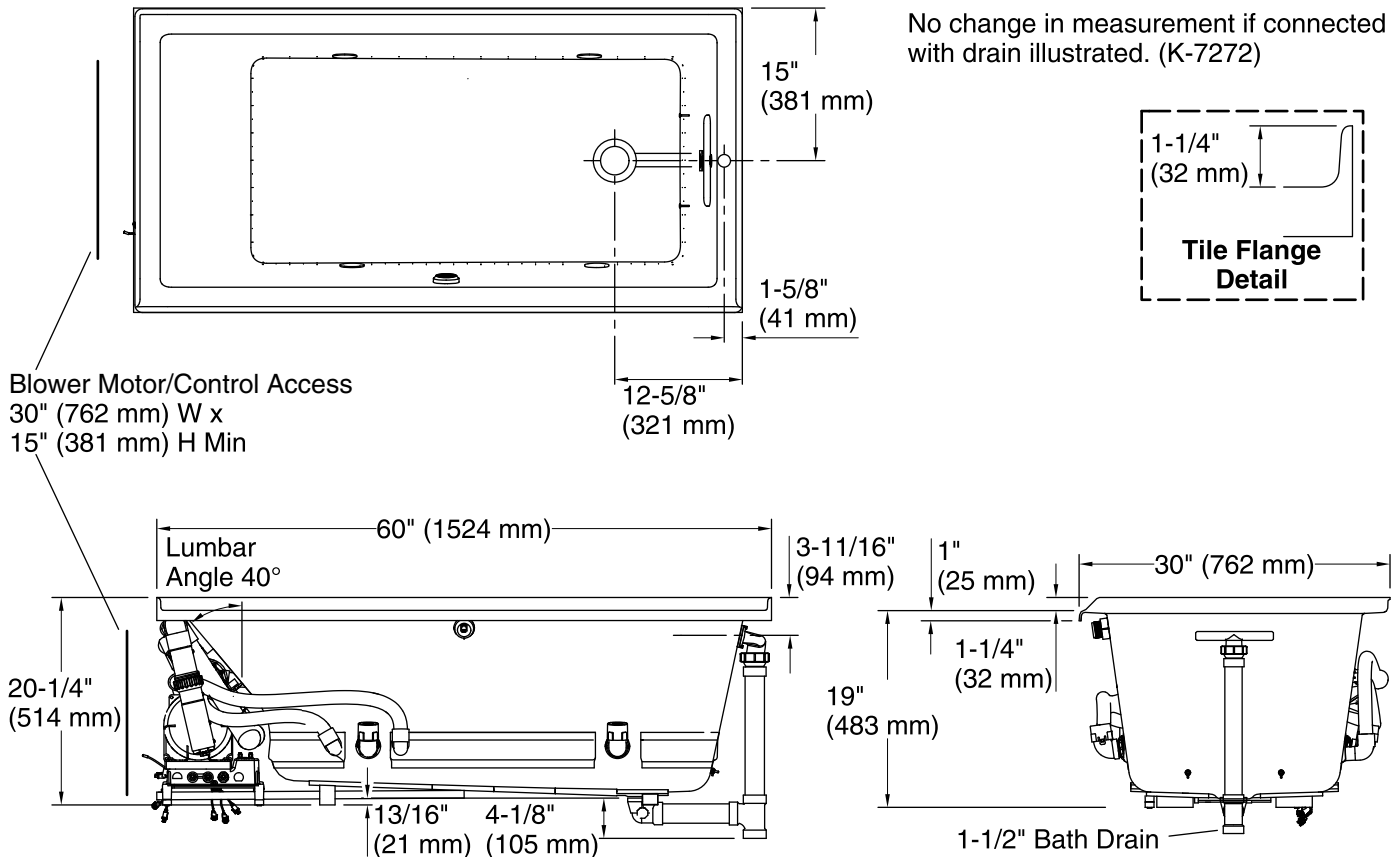


Underscore® Rectangle

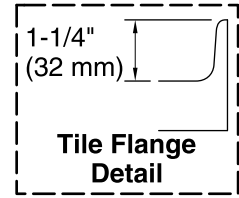
5' BubbleMassage™ Bath

K-1167-RFG

No change in measurement if connected with drain illustrated. (K-7272)



Blower Motor/Control Access
30" (762 mm) W x
15" (381 mm) H Min



Required Electrical Service

One dedicated circuit required, protected with Class A Ground-Fault Circuit-Interrupter (GFCI) or Residual Current Device (RCD).

Blower: 240 V, 15 A, 50/60 Hz

Technical Information

All product dimensions are nominal.

- Installation: Three-wall alcove
- Drain location: Right
- Basin area, bottom: 42-3/8" x 20" (1076 mm x 508 mm)
- Basin area, top: 54-3/8" x 24-5/16" (1381 mm x 618 mm)
- Weight: 100 lbs (45.4 kg)
- Minimum floor load: 44 lbs/ft² (214.8 kg/m²)
- Water depth: 15-1/16" (383 mm)
- Water capacity: 59.8 gal (226.4 L)
- Electrical component rating: Blower: 240 V, 5 A, 50/60 Hz
- Blower speed: Variable
- Minimum flat for door: 2-1/2" (63 mm)

Notes

Measure your actual product for rough-in details. Install this product according to the installation instructions.

The hot water supply should be 70% of the capacity of the bath or greater. Installations will vary.

If relocating the blower motor, do not relocate or alter the PVC tee or coiled flexible tubing connected to the blower. Follow the blower relocation instructions exactly. Provide access for servicing the blower.

ADA compliant when installed to the specific requirements of these regulations.