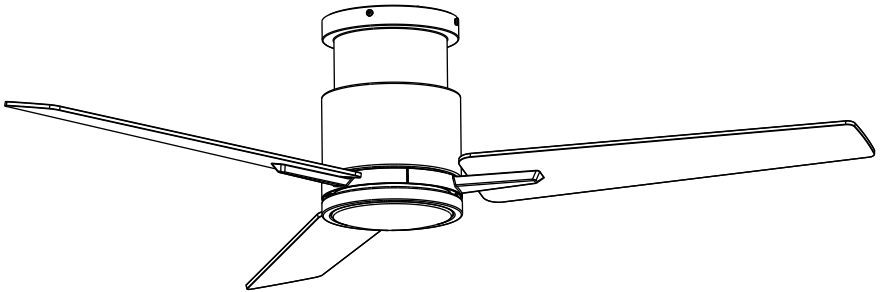


Ceiling Fan

Installation Manual



SAFETY INFORMATION

The information contained in the following pages has been prepared to ensure your maximum enjoyment of your fan. Please remove the fuse or turn off the circuit breaker to cut off the power before installing the fan. Ensure all electrical connections are in compliance with local laws, regulations and national electrical codes. If you are not familiar with electrical installation and wiring, please hire a qualified electrician or consult the wiring manual.

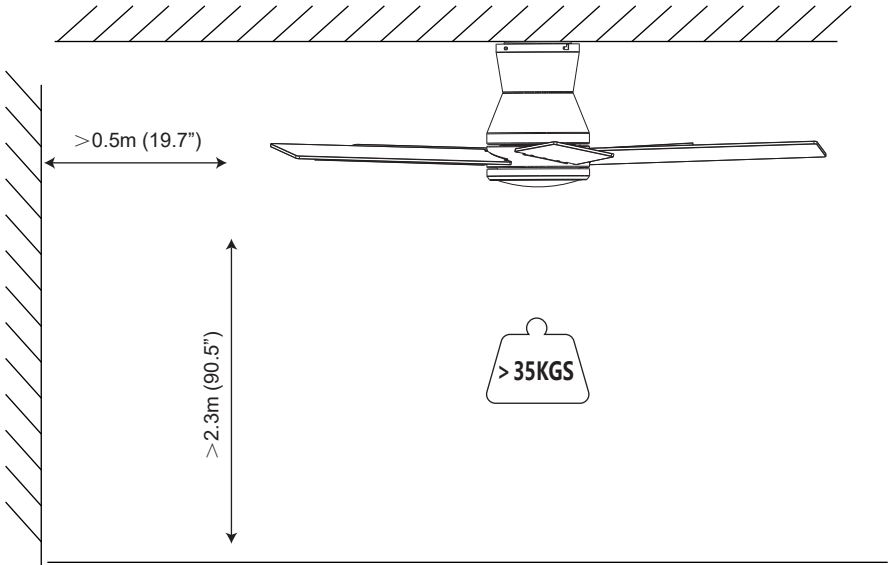
1. For your safety, all electrical connections and disconnections should be performed by a qualified electrician.
2. Any action performed for the electrical connection of the device must be carried out after ensuring that the general power supply is disconnected by removing the corresponding fuse or disarming the protective switch in order to ensure total isolation of the power supply.
3. When deciding where to mount the fan, be sure that there is at least 50 cm of space between the fan and any wall or other obstruction that the fan blades could collide with. The greater this distance, the more effective the air flow produced. After the fan is mounted, be sure that the blades are no less than 2.3 m above the ground.
4. The anchor point for the fan must be able to support a weight of at least 35 kgs. If mounting on a ceiling junction box, be sure that the fan is adequately supported to prevent loosening or turning.
5. The fan's electrical connection must be "grounded" (the fan's ground cable connected to the installation's grounding network) in order to avoid any branching that may be dangerous to people.
6. Do not connect the fan's power supply to any dimmers, potentiometers, or light switches, as it will cause the fan to malfunction and/or will damage the motor. The fan must be directly connected to a properly protected installation circuit (magnetic thermal differential switch with the adequate size for the fan's consumption and technical specifications). Only use the fan's control to turn it on or stop it.
7. It is recommended to not use these types of fans along with gas installations simultaneously in the same room.
8. The fan must not be moving and must have come to a complete stop before changing its direction of rotation. This will prevent damage to its motor and to the control unit, when applicable.
9. Do not insert anything that could hit the fan's blades into its pathway while it is moving, as this could cause damage to people, can damage the blades, and can offset the balance of the unit, causing vibrations and wobbling.
10. After installing the fan, ensure that all fastenings are secure and tightened in order to avoid any noise caused by loose elements.
11. Due to the fan's movement, certain fastenings may become loose. Check all fastenings twice per year at a minimum in order to ensure that they are sufficiently tight. If necessary, they must be retightened.
12. The motor housing can be cleaned with a soft brush or a lint-free cloth to avoid scratching the surface. Clean the blades with a lint-free cloth. Important: Turn off the main power supply before starting any maintenance. Do not clean the fans with water or a damp cloth.
13. The fan can only operate normally after all blades are installed. If the fan is turned on without installing the blades, the receiver will detect that the fan speed is too fast and it will "Beep Beep". Then the fan will stop.
14. The light source contained in this luminaire shall only be replaced by the manufacturer or his service agent or a similar qualified person.
15. If unusual oscillating movement is observed, immediately stop using the ceiling fan and contact the manufacturer, its service agent or suitably qualified persons.
16. The replacement of parts of the safety suspension system device shall be performed by the manufacturer, its service agent or suitably qualified persons.
17. The fixing means for attachment to the ceiling such as hooks or other devices shall be fixed with a sufficient strength to withstand 4 times the weight of the ceiling fan.
18. It is recommended to inspect the connecting components of the fan at least once a year, including the horizontal pin, blade holder, hanger connection screws, and fan blades, to ensure that the product connections are still safe and reliable.

Battery WARNING:

- Keep out of reach of children. Swallowing can lead to chemical burns, perforation of soft tissue and death. Severe burns can occur within 2 h of ingestion. Seek medical attention immediately.
 - If used incorrectly or if the battery is damaged, flammable liquid may be ejected from the battery. Contact with this liquid should be avoided. If contact accidentally occurs, rinse off with water. If the liquid comes into contact with your eyes, seek additional medical attention. Liquid ejected from the battery may cause irritation or burns.
 - Do not expose the appliance or battery to excessive temperatures.
 - Be aware of the risk of terminals of the battery-operated appliance or battery being short-circuited by metal objects.
 - Do not use modified or damaged batteries.
 - Non-rechargeable batteries are not to be recharged.
 - Different types of batteries or new and used batteries are not to be mixed.
 - Batteries are to be inserted with the correct polarity;
 - Exhausted batteries are to be removed from the appliance and safely disposed of.
 - If the appliance is to be stored unused for a long period, the batteries should be removed.
- Battery: 1.5V*2AAA

Note: The important warnings and instructions indicated in this manual are not guaranteed to cover all possible conditions and situations that may occur. It must be understood that common sense, precaution, and care are factors that cannot be included in all products. These factors can and must only be provided by the user who maintains and enjoys this fan.

DIMENSIONS



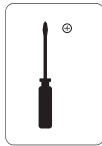
TOOLS NEEDED



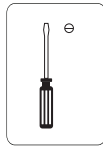
Step
ladder



pliers



Phillips
screwdriver



Flat blade
screwdriver



Electrical
tape



tape
measure

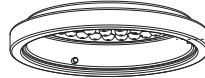
PACKING LIST



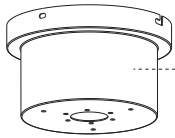
Before unpacking the fan, please check that all parts are included , as listed below:



1.Bracket



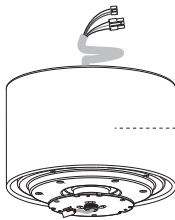
4.Light Fixture



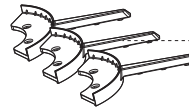
2.Canopy



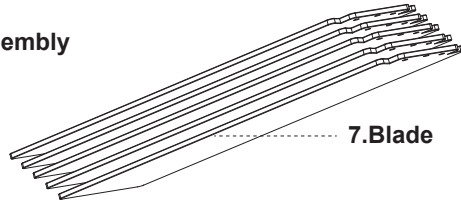
5.Lampshade



3.Motor Assembly

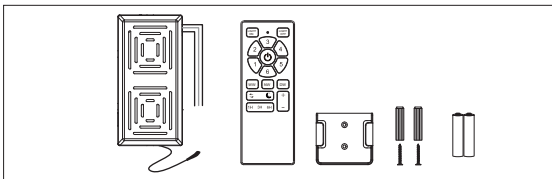


6. Blade arm

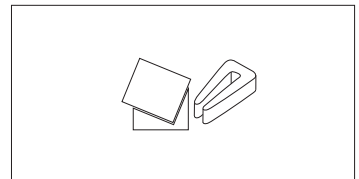


7.Blade

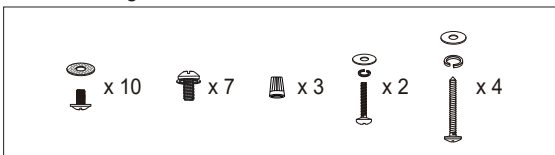
Remote control unit



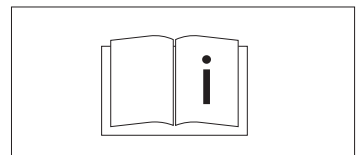
Blade balance kit



Hardware bag



Installation manual

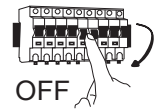


• Note: The illustrations in this manual are for explanatory purposes only and may not correspond to actual units.

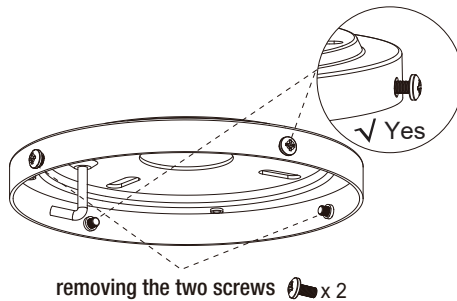
HANGING BRACKET INSTALLATION



- Make sure electricity is turned off at the main power box before commencing work. Turn off the power by removing fuse or turning off circuit breaker before installing the fan.
- Make sure that ceiling joists are strong enough and of adequate size to support the weight of the fan of about 35 kg.
- Use different screws to fix the bracket according to the ceiling material.



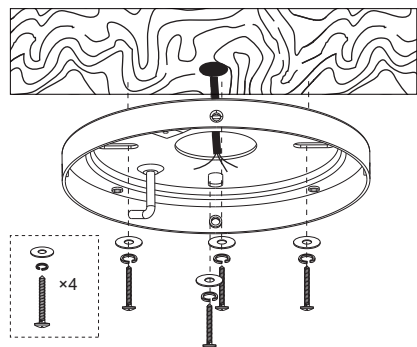
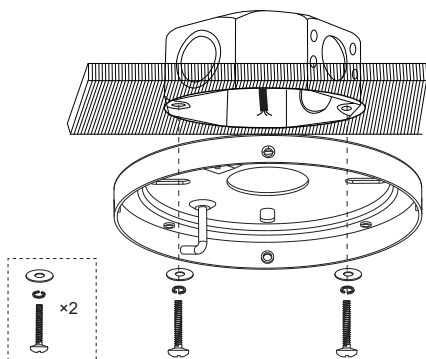
- ① Remove two screws from bracket, and unscrew the other two (no need to take them out).



- ② Use different screws to fix the bracket according to the ceiling material.

Outbox

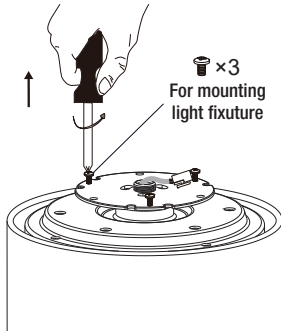
Solid Wall Ceiling



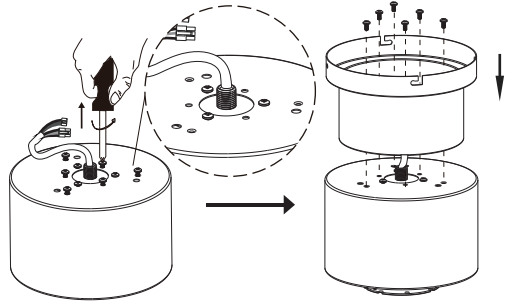
Check whether bracket is securely installed or not.

ASSEMBLE THE FAN

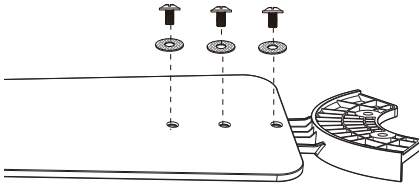
- ① Remove the three pre-installed screws from the motor assembly.



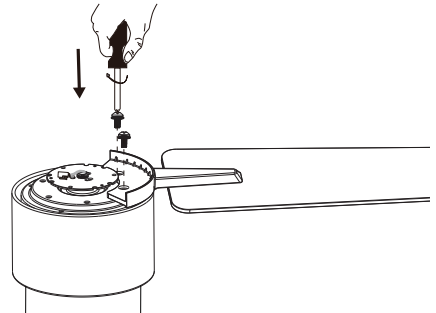
- ② Connect canopy with decorative ring, and then use the six removed screws to fasten the canopy to the motor assembly.



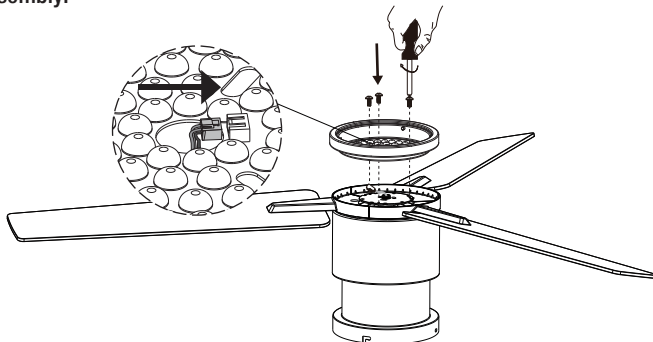
- ③ Assemble the blades and blade arms.



- ④ Align the holes on the blade arms with the corresponding ones on the motor assembly. Then, use the blade arm screws to secure the blades in place and tighten them. Repeat this step until all blades are installed.

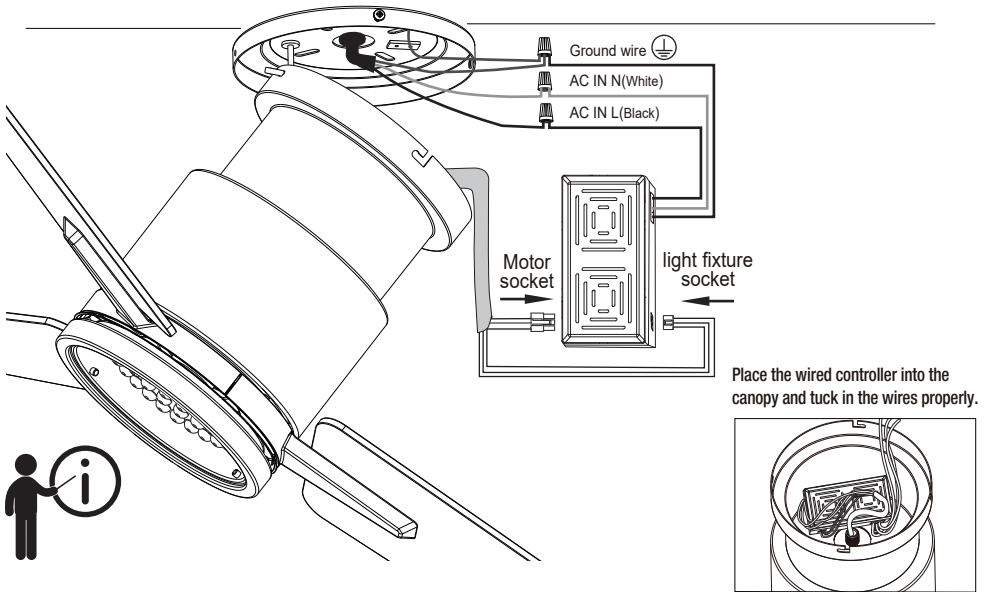


- ⑤ Align the holes on the light fixture with the corresponding holes on the motor assembly, then connect the wiring terminals. Use the 3 screws you removed to install the light fixture onto the motor assembly.



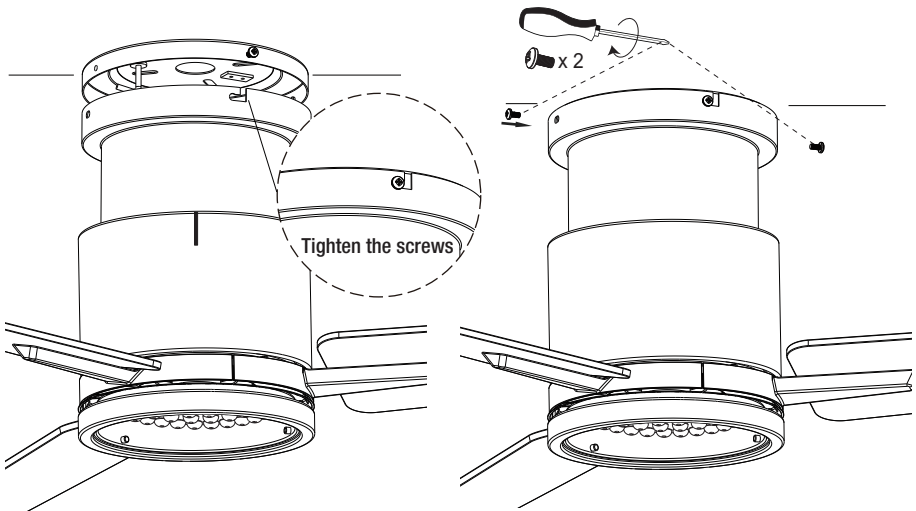
WIRING

WIRING DIAGRAMS

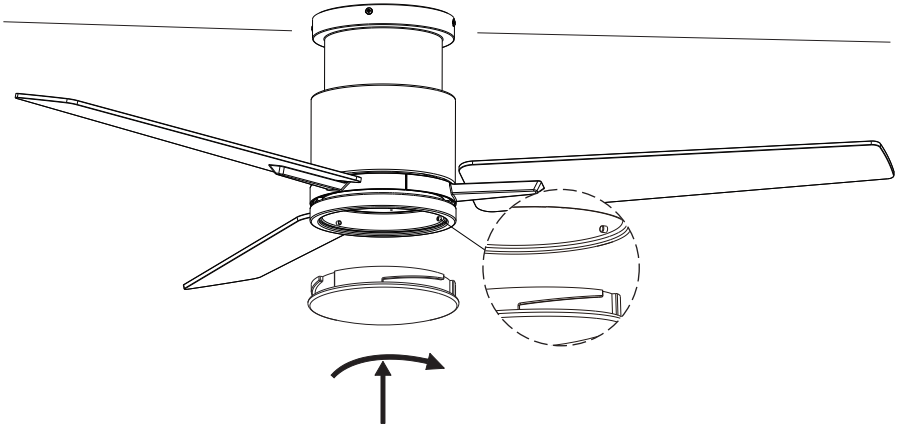


INSTALL REMAINING PARTS

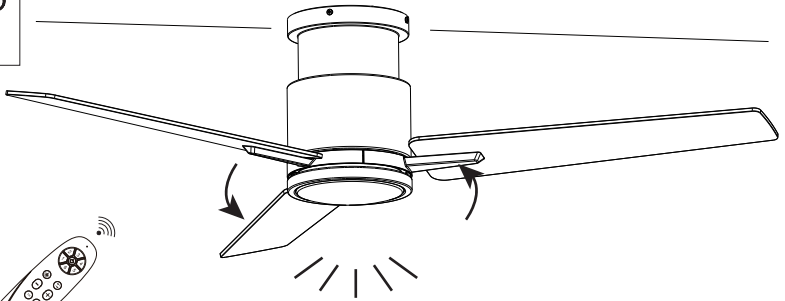
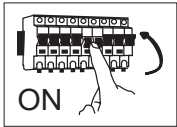
- 1 Remove the body from the bracket hook, lift and rotate the it to make the seven-character slot of the body is hung on the two nails on the bracket.



- ② Align the locking points on the lampshade with the slots on the light fixture.
Rotate the lampshade until it is securely fixed in place.

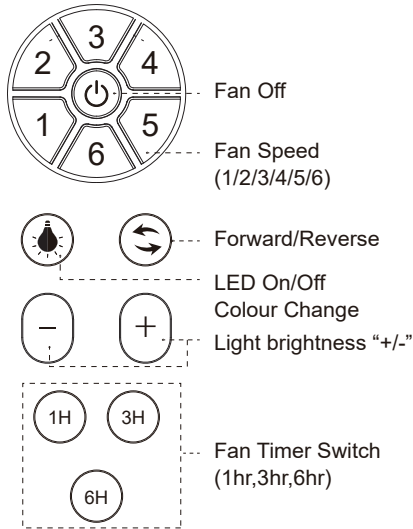


START THE FAN



REMOTE CONTROL OPERATION

Button Function

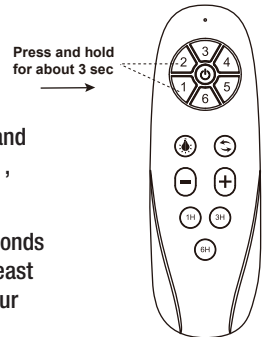


Remote Control Pairing

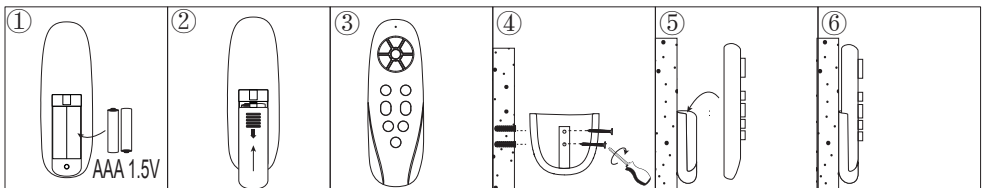
- NOTE: Your remote control has been factory pre-set, so no pairing is required for first-time use. Re-pairing is only necessary if the remote control malfunctions.

1. Install 2 batteries into the remote controller.
2. Turn on the power. Within 10 seconds of powering on the fan, press and hold the "1" and "2" buttons for about 3 seconds. After a beeping sound, pairing is complete, and the fan is ready for use.

About the light memory function : Turn on the light and wait for 3-5 seconds while maintaining the desired color. Then turn off the light and wait at least 10 seconds before turning it back on. The light color will be saved as your preference.



Installing Wall-Mounted Remote Control Holder



TROUBLESHOOTING



WARNING: Before attempting any repairs, ensure that the power cabinet is turned off

Problem	Troubleshooting
The fan will not start.	<input type="checkbox"/> Check the main and branch fuses or circuit breakers.
	<input type="checkbox"/> Check the wire connections to the fan.
	<input type="checkbox"/> Make sure the remote control has been paired.
The fan sounds noisy.	<input type="checkbox"/> Make sure all motor housings are secured and tightened.
	<input type="checkbox"/> Make sure the screws that attach the fan blade to the motor hub are tight.
	<input type="checkbox"/> Check for any friction between the fan blades and the motor housing.
	<input type="checkbox"/> Allow a 24-hour "break-in" period. Most noises related to the new fan will disappear during this time.
	<input type="checkbox"/> Check if there is any friction between the light or the base cover and the blades.
	<input type="checkbox"/> Ensure the distance between the canopy and ceiling is minimal, and it should not touch the ceiling.
The fan is rotating, but the airflow is insufficient.	<input type="checkbox"/> Check if the outlet box is securely installed and if rubber washers are used between the bracket and the outlet box.
	<input type="checkbox"/> The fan may be operating in reverse, causing air to flow upwards.
	<input type="checkbox"/> The fan may be too small compared with the size of the room.
	<input type="checkbox"/> Obstacles in the room may be blocking airflow.

Addressing Fan Wobbling Issues During Operation

If the fan body wobbles during operation, this is not an indication of a fault (even if it wobbles a few centimeters). To reduce it, you can turn off the fan and then:

1. Check if all the blades are properly secured by tightening the screws.
2. Check the distance between each blade and the ceiling. Measure the distance to the ceiling as shown in the image. If there is a change and you have already tightened the screws, ensure that all blades are the same shape. If any blade appears noticeably different, it could cause wobbling during operation. If you've completed these steps and the wobbling still persists, use the provided balancing kit for dynamic balancing, as follows.
 - (1) Turn the fan on to its highest speed to maximize the wobble.
 - (2) Turn off the fan. Select one blade and place a clip on it (see image 2), clipping it to the edge of the blade.
 - (3) Turn the fan on and set it to the highest speed, checking whether the wobble improves or worsens. If there is no improvement, move the clip to another blade. Repeat this process to determine which blade can reduce the wobble.
 - (4) Once the blade is determined, leave the clip on it and adjust the clip forward or backward on this blade until the best position is found that provides the most effective result.
 - (5) Finally, remove the clip and place one of the balance weights on the upper centerline of the blade where the clip was located.

