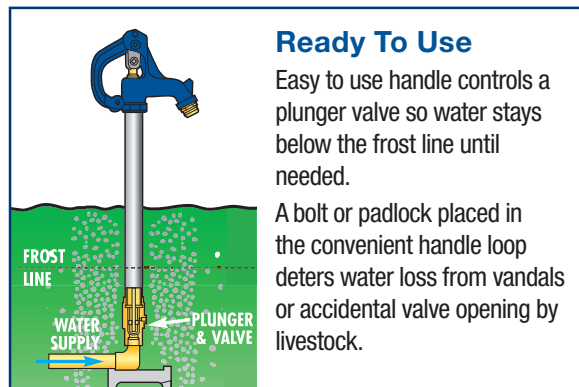


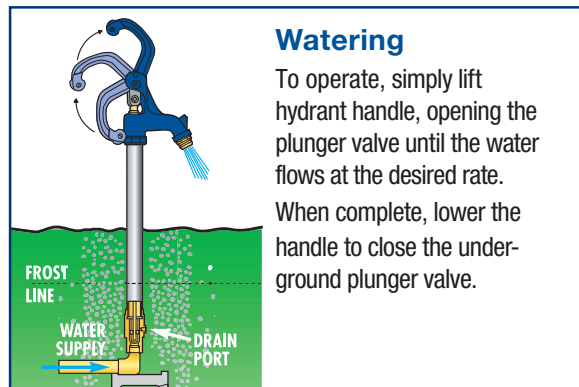
## How a Frost Proof Hydrant Works



### Ready To Use

Easy to use handle controls a plunger valve so water stays below the frost line until needed.

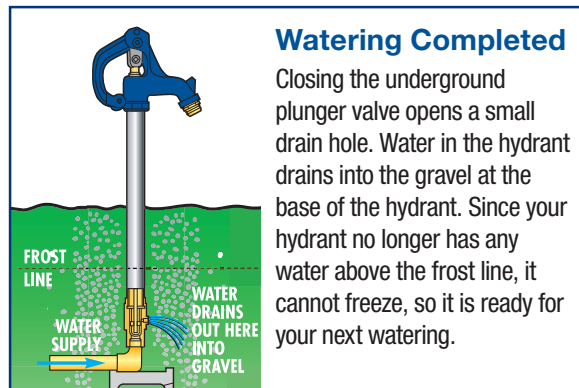
A bolt or padlock placed in the convenient handle loop deters water loss from vandals or accidental valve opening by livestock.



### Watering

To operate, simply lift hydrant handle, opening the plunger valve until the water flows at the desired rate.

When complete, lower the handle to close the underground plunger valve.

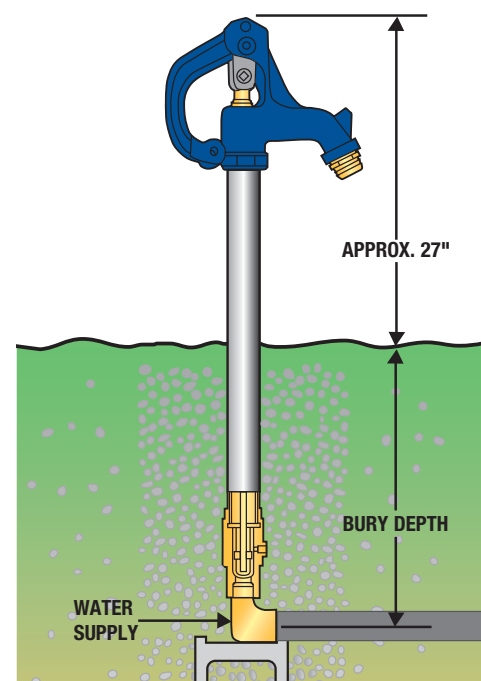


### Watering Completed

Closing the underground plunger valve opens a small drain hole. Water in the hydrant drains into the gravel at the base of the hydrant. Since your hydrant no longer has any water above the frost line, it cannot freeze, so it is ready for your next watering.

## Installation Instructions

1. Dig hole for hydrant approximately 2' in diameter and 1' deeper than the bury depth. Place the hydrant on top of a cinder block or other heavy object for support. This can prevent damage to the water supply line and/or hydrant.
2. Flush piping before connecting the hydrant to clear any gravel or other debris that may have collected in the piping during its installation and assembly. If not flushed out of the piping, this debris may jam the hydrant mechanism or clog the flow ports.
3. Make the pipe connection but do not bury the hydrant yet. Operate the hydrant to be sure it is operating properly and the piping connections are not leaking. Open and close the hydrant and check the flow and drainage. If leakage continues from the drain port see "How To Adjust Your Frost Proof Yard Hydrant".
4. Fill the hole around and below the hydrant with medium size gravel. This will provide a drain field for the hydrant. Without a drain field, the hydrant will not empty itself, and it will freeze in cold weather. This will cause damage to the hydrant and result in loss of water and possible flooding damage.
5. Always ensure the hydrant is level. For additional support, install a 4x4 wood post in the ground, and attach the hydrant to the post with 1 in. pipe straps (sold separately).

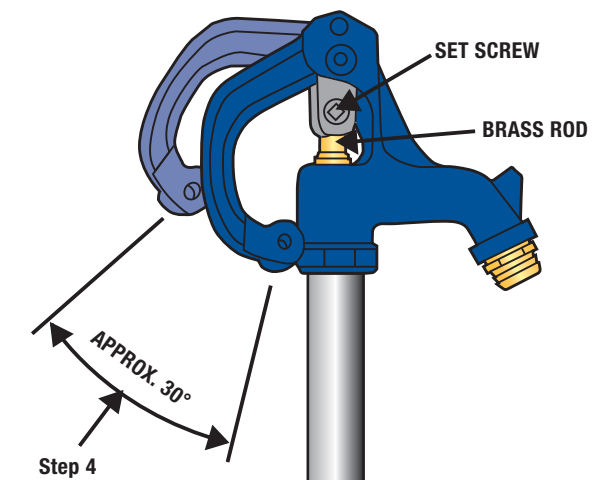


## How To Adjust Your Frost Proof Yard Hydrant

1. Turn water supply off!
2. Open hydrant to relieve pressure.
3. Close hydrant, then loosen set screw.
4. Open hydrant to 30 degrees from closed position.
5. Tighten set screw; close the hydrant.
6. Turn water supply on.
7. Operate the hydrant and make sure the hydrant is shutting off and flowing properly.
8. If hydrant does not shut off, repeat steps 1 through 7.
9. Flow water through the hydrant, then close completely to check for proper drainage by
  - a) listening for water draining down the pipe or
  - b) putting your hand over the hose connection to feel for a vacuum. If hydrant does not drain, see step 10.
10. To clear drain hole blockage, close off hydrant spout by using a hose cap or by attaching and kinking a hose. Open and close hydrant to allow water pressure to clear blockage.

Repeat step 9 to verify proper drainage. If hydrant still does not drain, repeat steps 1 through 9 to fully uncover drain hole.

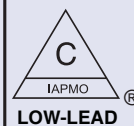
**CAUTION:** Do not try to adjust all at once or you may over-adjust and cause damage to the plunger. For this reason, adjust in small increments. For questions regarding adjustments, please call 1-800-346-7611.



## Hydrant Tips:

- Never leave a hose attached to hydrant after use. This will prevent the hydrant from draining properly and will cause the hydrant to freeze in cold weather. Leaving the hose attached could also siphon contaminants back into the water system.
- If the hydrant is to be installed inside a barn or other structure, or if it is installed in asphalt or concrete such as a driveway, connect a 1/8" drain pipe or tube to the drain port and dig a remote drain field outside the structure for the drain pipe to empty into. Without this remote piping and drain field, the water from the hydrant drainage will percolate up to the surface around or near the hydrant and will damage the flooring or cause muddy areas in stalls or walkways.
- Water pressure to the hydrant should be regulated no more than 80 psi. Higher pressures will accelerate wear and may cause leakage that will saturate the ground and drain field and prevent the hydrant from draining. If the hydrant is not allowed to drain, it can freeze and cause damage to itself and cause flooding and loss of water. High pressure will also cause you to have to replace parts and adjust the hydrant frequently. A normal operating pressure should be 20 to 60 psi.
- Saturated ground in the hydrant drain field can prevent the hydrant from draining and may result in freezing. If the area where your hydrant is located is low lying or has a tendency to have standing water, a larger drain field or pit may be required to provide proper drainage.
- If installing a unit on a municipal line, a vacuum breaker or backflow device must be used. A vacuum breaker prevents reverse flow of polluted water into the potable water supply due to back-siphonage. Most plumbing codes require that a backflow prevention device be installed with this product to protect the public water system. Check federal, state and local plumbing codes to ensure compliance with all installation requirements. In the State of Massachusetts, all installations must comply with the rules and regulations set forth within 248 CMR.
- For questions regarding adjustments, please call 1-800-346-7611.

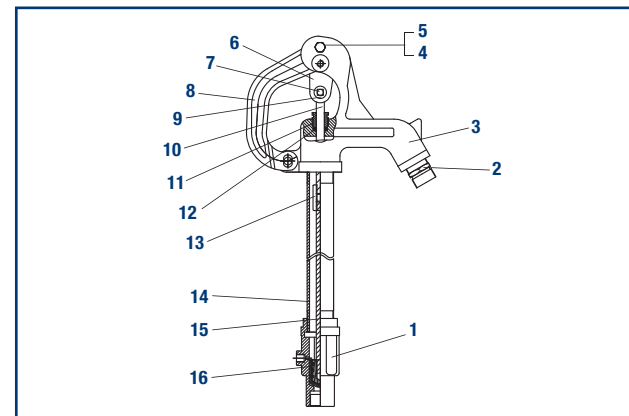
MODEL#	DESCRIPTION
PPYH01NL-S	1 ft. Bury Depth Frost Proof Yard Hydrant
PPYH02NL-S	2 ft. Bury Depth Frost Proof Yard Hydrant
PPYH03NL-S	3 ft. Bury Depth Frost Proof Yard Hydrant
PPYH04NL-S	4 ft. Bury Depth Frost Proof Yard Hydrant
PPYH05NL-S	5 ft. Bury Depth Frost Proof Yard Hydrant
PPYH06NL-S	6 ft. Bury Depth Frost Proof Yard Hydrant
PPYH08NL-S	8 ft. Bury Depth Frost Proof Yard Hydrant
PPYH10NL-S	10 ft. Bury Depth Frost Proof Yard Hydrant



This product is a utility hydrant for non-potable water use. Complies with: ANSI/ASME A112.21.3M and NSF/ANSI 372; Meets 'lead free' requirements per Section 1417(d) of the Safe Drinking Water Act and lead content requirements of Section 116875 of the California Health & Safety Code

## Heavy Duty Yard Hydrant

- Heavy duty—built for years of reliable use
- High strength stand pipe provides protection against damage
- Stand pipe has superior corrosion resistance
- Zinc plated inner rod for long life
- Six flow channels in bottom valve allow better flow with less risk of blockage from debris
- Replacement components can be replaced from above ground without digging



ITEM	QTY	DESCRIPTION	MODEL NUMBER
1	1	Foot Valve	YHBA-S
2	1	Hose Adapter	YHC-HA-S
3	1	Head	YHHD-BLUE-S
4	1	Bolt	YHRK1-B/W-S
5	1	Nut	YHRK1-B/W-S
6*	2	Linkage	YHRK1-LK-S-S
7*	1	Square Head Set Screw	YHRK1-HSSC-S
8	1	Handle	YHH-BLUE-S
9*	1	Connector	YHRK1-CT-BLUE-S
10	1	Clevis Rod	YHCR-BLUE-S
11*	1	Packing Nut	YHRK1-PNUT-BLUE-S
12*	2	O Rings	YHRK1-ORING-BLUE-S
13	1	Coupling Nut	YHRK1-CN-S
14	1	Pipe	N/A
15	1	Inner Rod	N/A
16*	1	Plunger	YHRK1-PG-BLUE-S

\* Included in repair kit, Model #PPYHRK1NL-S  
Made in China

**ProPlumber™**

P.O. Box 3795  
Mansfield, Ohio 44907  
800.346.7611  
www.proplumberusa.com

## FROST PROOF YARD HYDRANT INSTALLATION



**ProPlumber™**