



07060EZ/07970C/07060E

Please read the following instructions carefully.
Keep this instruction manual for future reference.
For technical support, contact us at **1-800-268-6237**
or **www.summerinfant.com/contact**

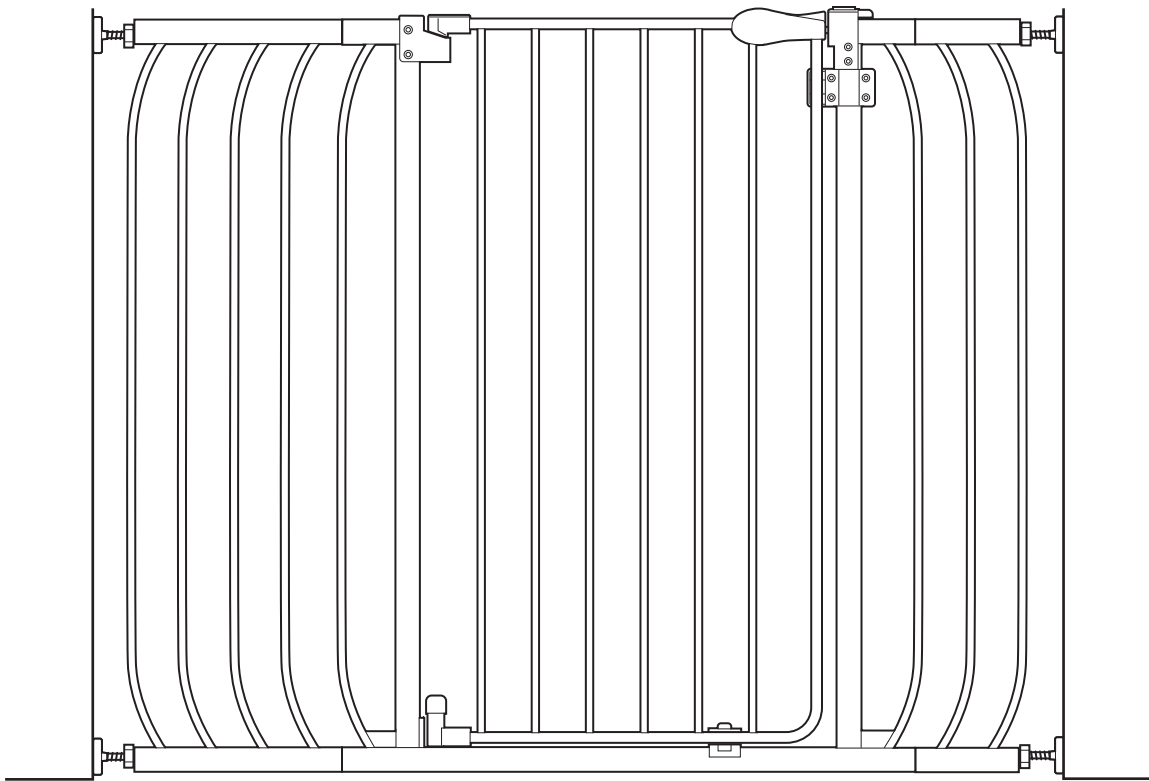
Tools required: Phillips head screwdriver,
measuring tape (not included),
and wrench (included).

For use with children from 6 - 24 months.

Keep small parts away from children.

Adult assembly required.

Fits openings from 29" - 48" wide.



Multi-Use Extra Tall Walk-Thru Gate

INSTRUCTION MANUAL

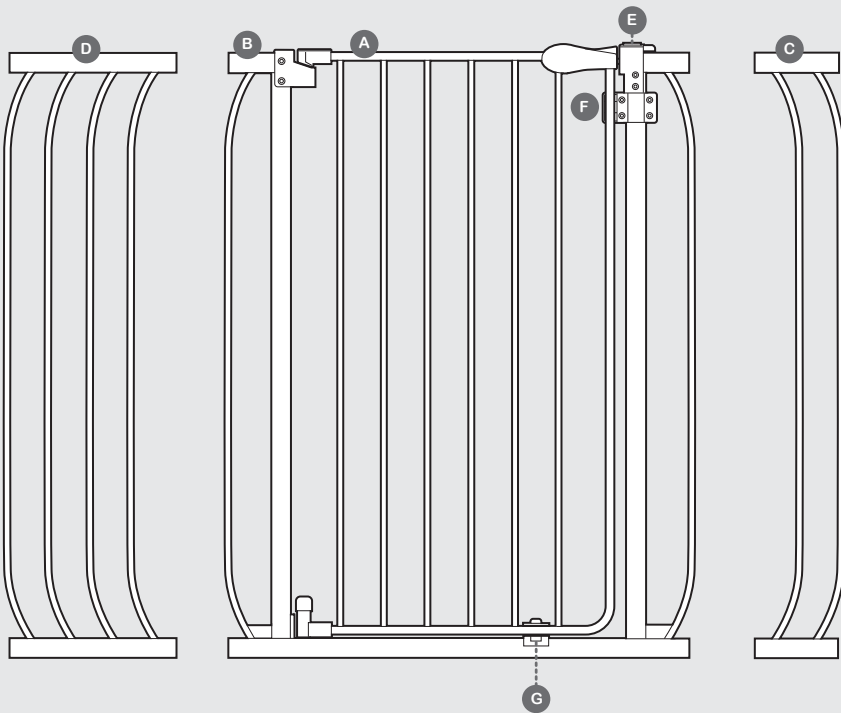
Thank you for purchasing the Multi-Use Extra Tall Walk-Thru Gate from Summer Infant. This gate allows you to create and maintain a secure environment for your child just about anywhere in your home. It has a hinged swinging door that opens easily in either direction with one hand, as well as hold-open and auto-close features for added convenience.

⚠ **WARNING: FALL HAZARD! IMPORTANT! KEEP FOR FUTURE REFERENCE!**

- Children have died or been seriously injured when gate is not securely installed. ALWAYS install and use gate as directed using all required parts.
- STOP using when a child can climb over or dislodge the gate.
- Use only with the locking/latching mechanism securely engaged.
- To prevent falls, never use at top of stairs without wall mounting cups and door stopper.
- NEVER use to keep child away from pool.
- NEVER leave child unattended.
- Always close and lock the gate behind you.
- This product will not necessarily prevent all accidents.
- Do not use if any components are missing or damaged.
- Adult assembly required. Exercise care when unpacking and assembling product.

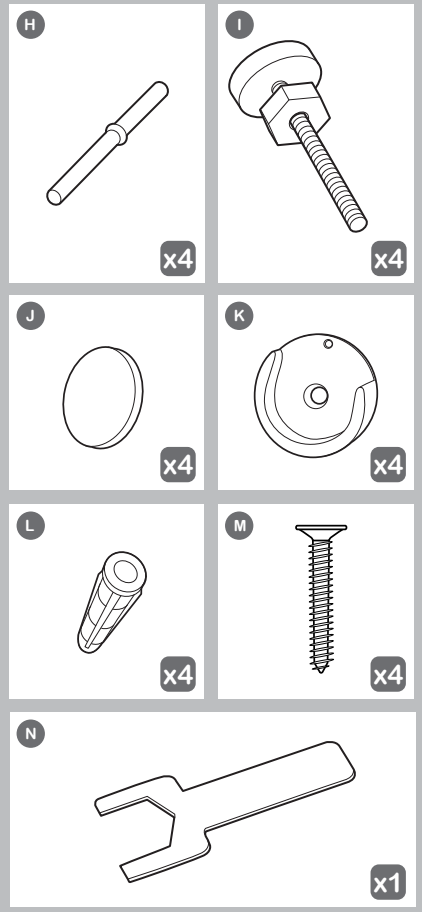
⚠ CAUTION: KEEP SMALL PARTS OUT OF CHILD'S REACH.
IMPORTANT – Read the instructions carefully before use and keep them for future reference.

components:



- | | |
|--------------------------------|--|
| A Gate Door | H Pins (4) |
| B Gate Frame | I Tension Bolts with Tension Nuts (4) |
| C Small Extension Frame | J Adhesive Mounting Pads (4) |
| D Large Extension Frame | K Wall Cups (4) |
| E Top Latch | L Wall Anchors (4) |
| F Door Stop | M Screws (4) |
| G Lower Latch | N Wrench |

hardware:



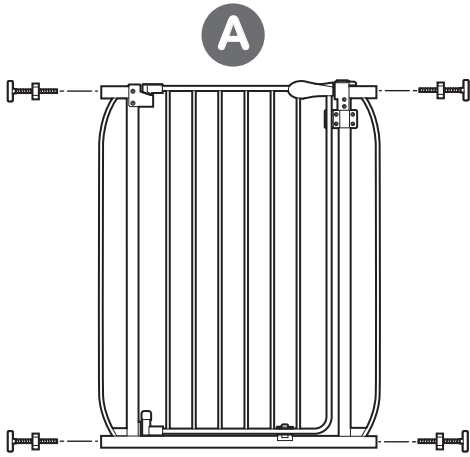
gate configurations (choose which best fits your scenario):



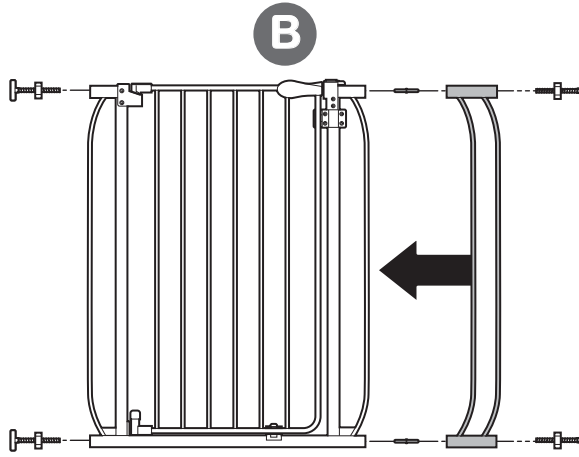
Measure the width of the opening where you intend to install the gate. Refer to the following illustrations to determine the correct installation configuration. Baseboard molding may change which configuration is appropriate.

⚠ WARNING:

NEVER install two extension frames on the same side of the gate.



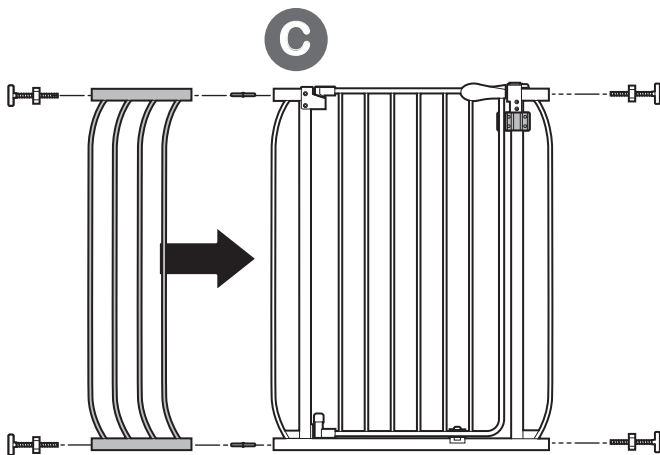
(29" - 33") without extension frames



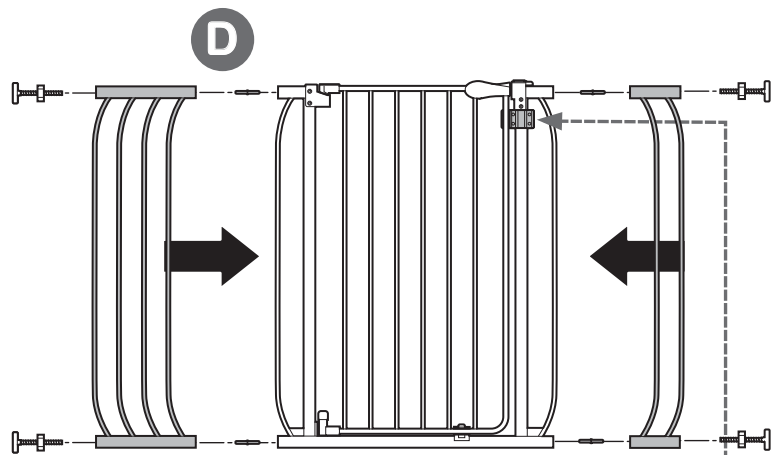
(33.75" - 38") with small extension frame



- If mounting the gate at top of the stairs, begin with installation step 1.
- When not used at top of stairs, begin with installation step 4.



(38.75" - 43") with large extension frame



(43.75" - 48") with small and large extension frames



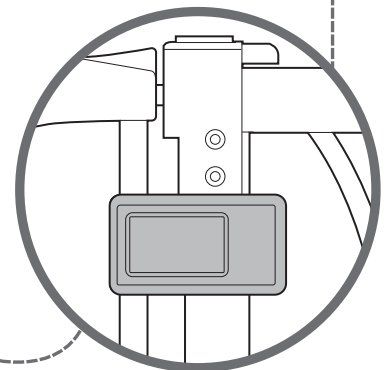
Note: This instruction book illustrates installation of gate configuration C.

- If choosing gate configuration A, skip this step.
- If choosing gate configuration B, add the small extension frame to either side of the gate frame.
- If choosing gate configuration C, add the large extension frame to either side of the gate frame.
- If choosing gate configuration D, add small extension frame to one side of the gate frame and large extension frame to the other side of the gate frame.



Important: Gate includes a door stop (part F in components) which prevents the the gate from swinging open in one direction. When installing the gate at the top of stairs, be sure that the door stop is on the stairway side of the gate so the door cannot open over the stairs. While the door stop comes fully assembled on gate, it can be removed and installed on either side of gate frame.

When gate is not used at top of stairs, door stop may be removed to allow gate door to open in either direction.



top of the stairs installation:



WARNING:

For use at top of stairs, wall cup installation is **MANDATORY**.

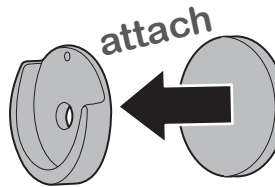


Note: The adhesive mounting pads are included only for positioning wall cups and must be used in conjunction with screws.

Follow these wall cup installation instructions when using gate at **TOP OF STAIRS (MANDATORY)**, or if using wall cups for a standard opening (optional). If opting not to use wall cups for a standard opening, move to instructions on next page.



peel



attach

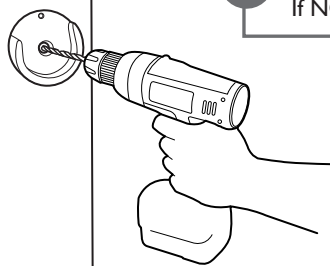
x4



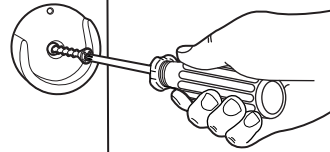
1



Note: If mounting into plaster walls, use wall anchors. Using a 7/32 drill bit, drill a pilot hole into the wall in the center of each wall cup, then insert wall anchor directly into wall. Secure the wall cups in place using the provided screws.



Mounting into plaster or dry wall? If NO, continue to next step.



2

Once Wall Cup Installation is complete, proceed to Gate Frame Installation on next page. The gate frame's tension bolts will nest in mounting cups.



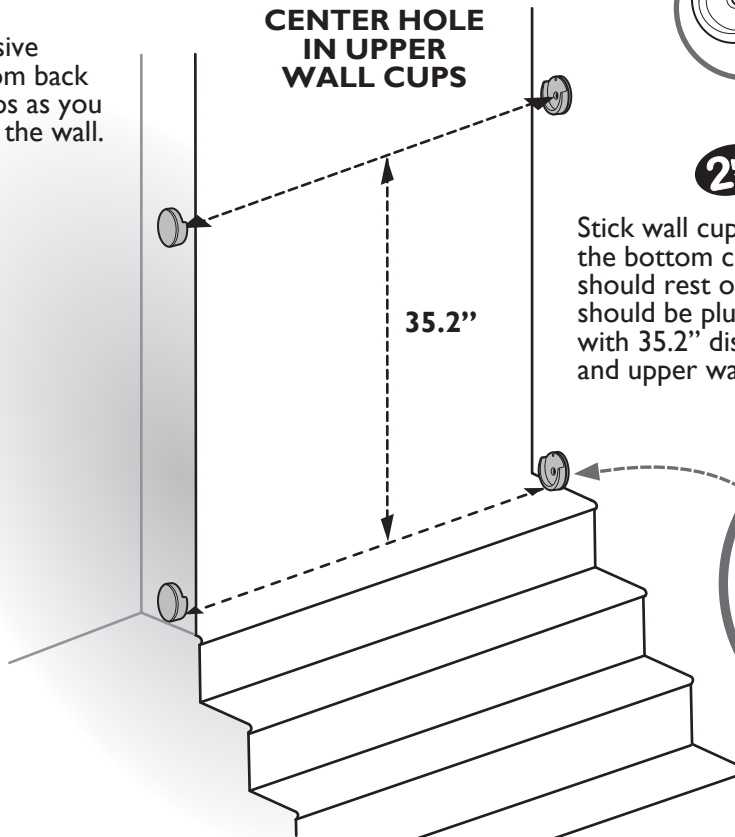
peel

1st

Remove adhesive protectors from back of the wall cups as you apply them to the wall.

x4

CENTER HOLE IN UPPER WALL CUPS

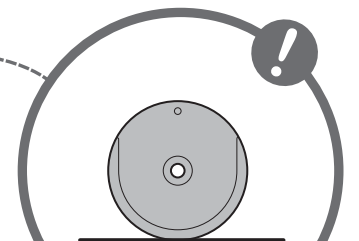


35.2"



2nd

Stick wall cups onto wall starting with the bottom cups. The bottom cups should rest on the floor, the top cups should be plumb with the bottom cup with 35.2" distance between the floor and upper wall cups' screw hole centers.



align bottom of wall cups with floor

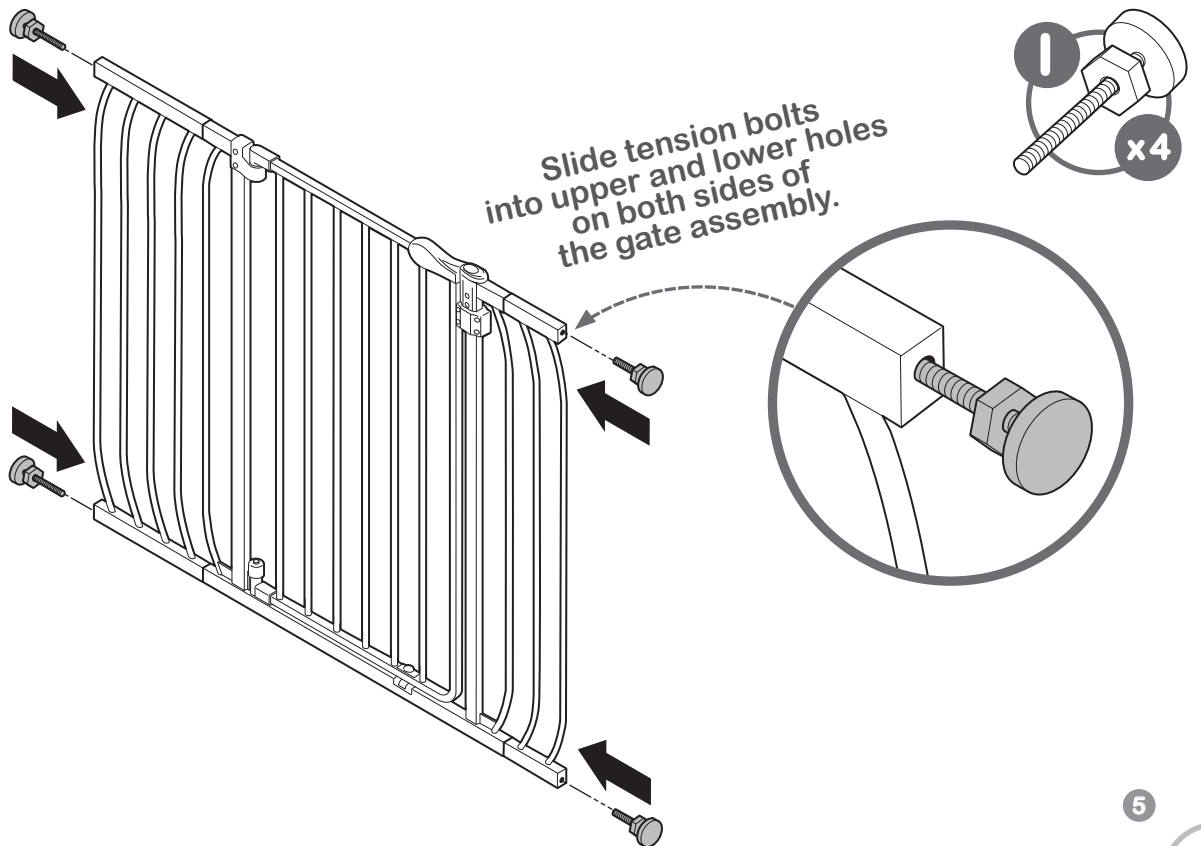
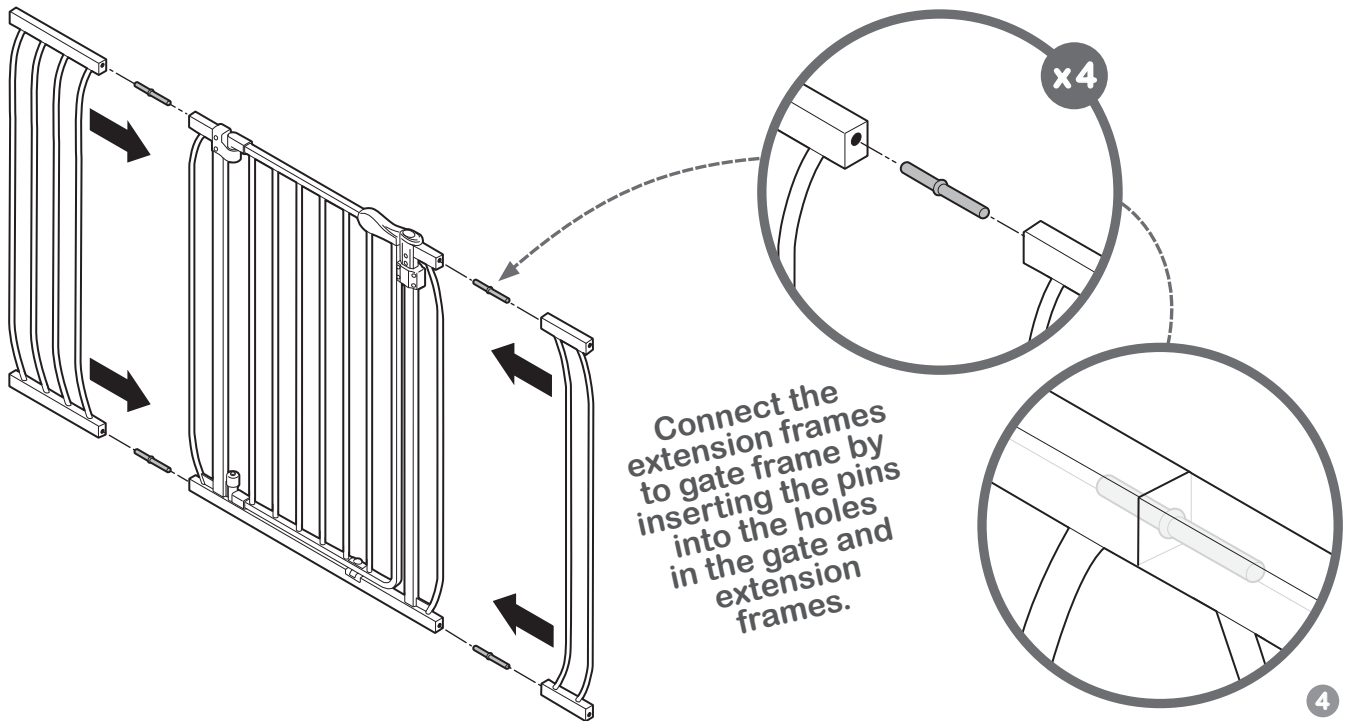
3

make sure all wall cups are facing up



installation:

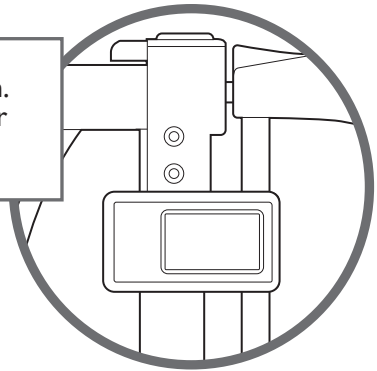
- If choosing gate configuration A, skip this step.
- If choosing gate configuration B, add a small gate extension frame to either side of the gate frame.
- If choosing gate configuration C, add the large extension frame to either side of the gate frame.
- If choosing gate configuration D, add small extension frame to one side of the gate frame and large extension frame to the other side of the gate frame.



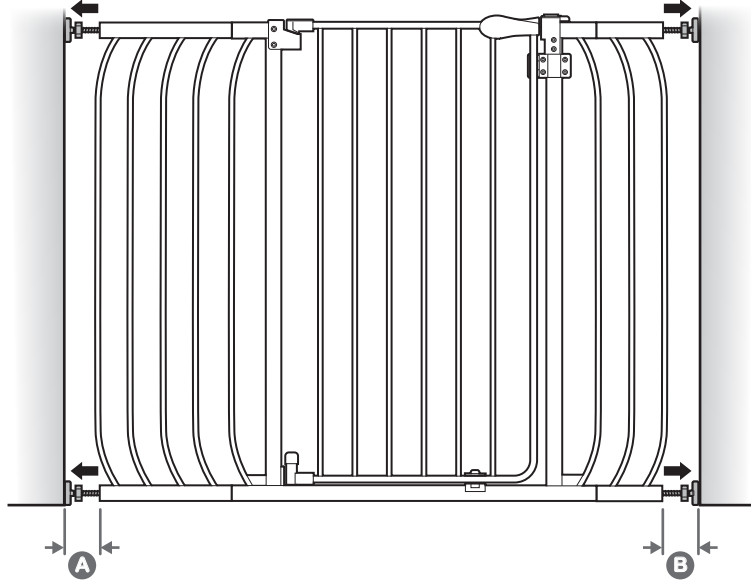
installation (continued):

Stand the gate in the center of the opening. Make sure the bottom of the gate is completely flat to the floor. Slide tension bolts out until they touch the door frame or wall.

!
Make sure door stop is facing desired direction. For top of stair use, door stop must be on stair side of gate. Gate door must open away from stairs.

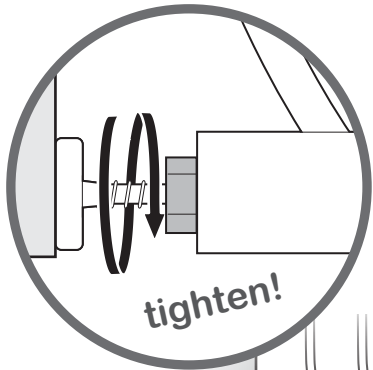


Check distances A & B. They should never exceed 2.75".



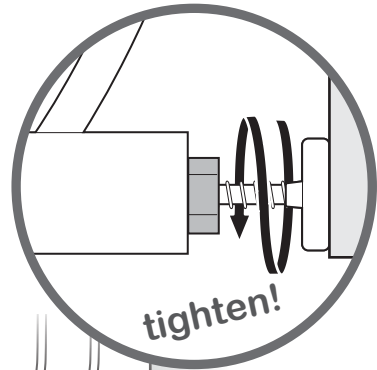
! **IMPORTANT:**
The distance between the gate and the wall should never exceed 2.75".

6

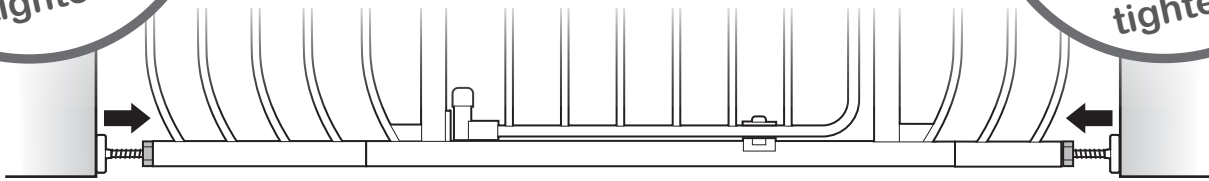


tighten!

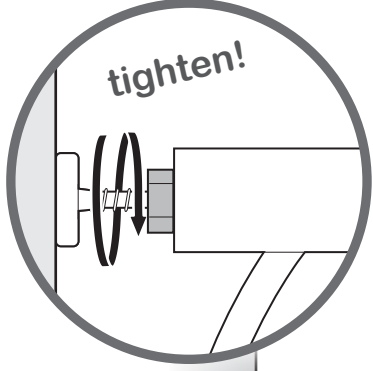
Use the tension nuts to tighten both of the bottom tension bolts.



tighten!

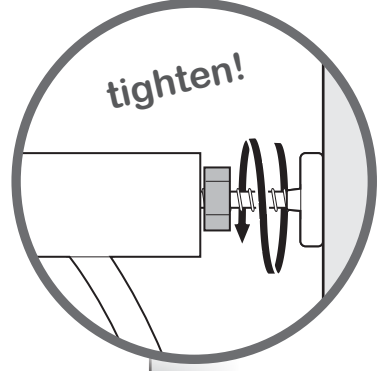


7

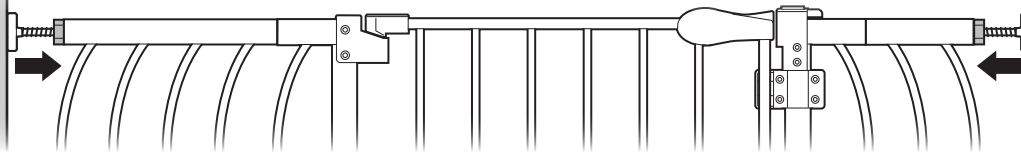


tighten!

Use the tension nuts to tighten both of the top tension bolts.

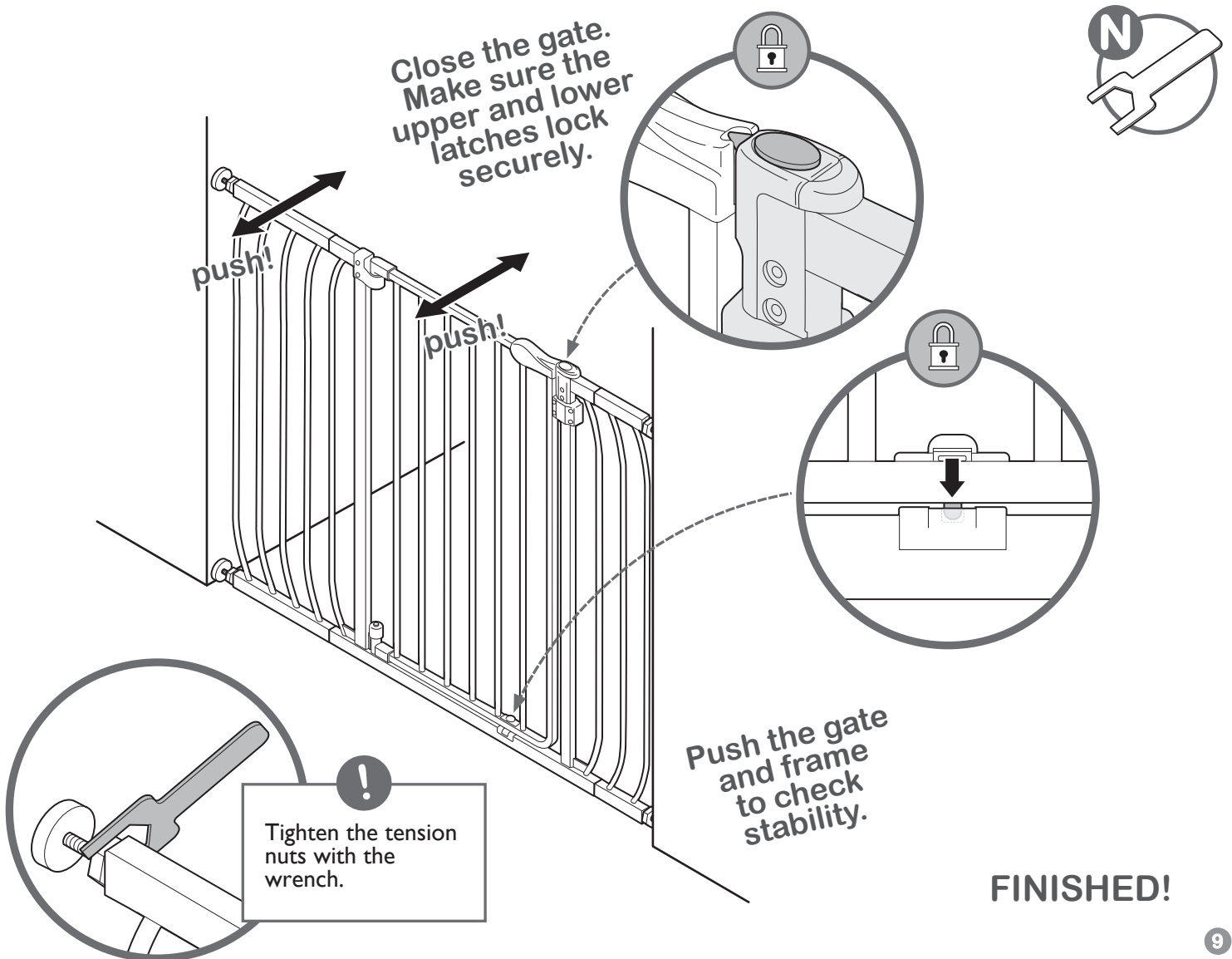


tighten!



8

installation (continued):

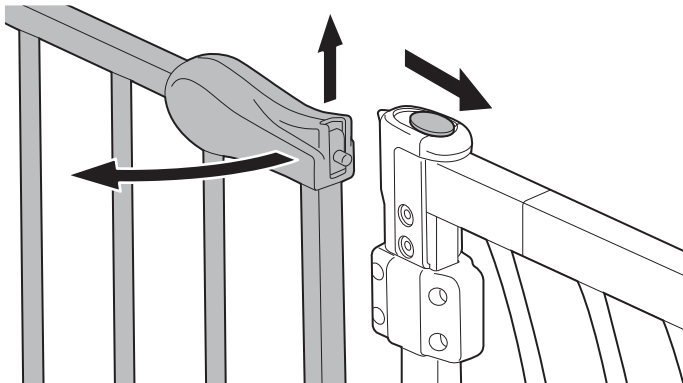


operation:



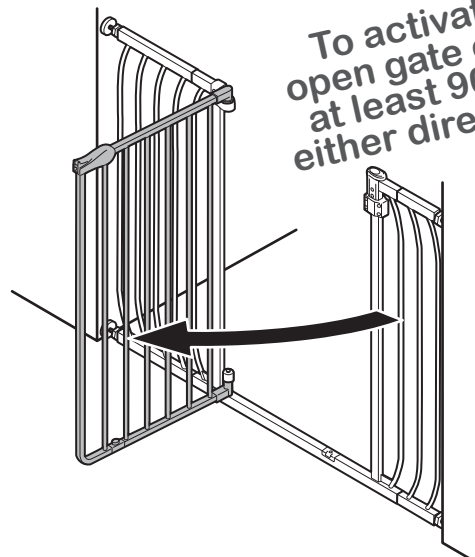
to unlock gate:

Press lock tab back to release, lift gate door open.



hold open feature:

To activate, open gate door at least 90° in either direction.



troubleshooting:

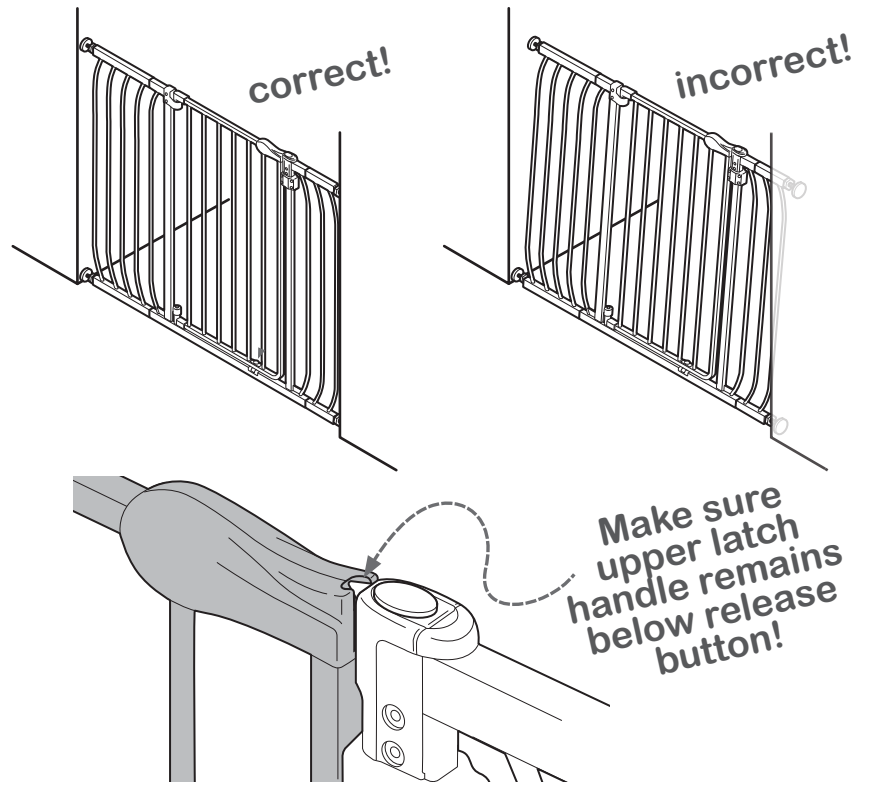
If the gate does not close properly:

1. Gate is not properly aligned in the door frame.

Solution: Make sure the gate is properly aligned in the door frame. To adjust the gate's alignment, loosen all four tension bolts and reposition gate so that it matches the "correct" image. Re-tighten tension nuts.

2. Pressure of tension bolts needs to be adjusted.

Solution: Loosen or tighten the upper tension nuts. Ensure the upper latch handle always remains below the release button. Ensure the upper latch handle engages securely when the gate swings closed and that it can be released properly when the release button is pushed.



maintenance:

- Regularly check tension bolts to make sure the gate is securely in place.
- Do not use the gate if any components are damaged or missing.
- Surface clean with a damp cloth or sponge using mild detergent and warm water.

Summer Infant stands behind all of its products. If you are not completely satisfied or have any questions, please contact our Consumer Relations Team at **1-800-268-6237** or **www.summerinfant.com/contact**

connect with us:    

Summer Infant, Inc.
1275 Park East Drive
Woonsocket, RI 02895 USA
1-800-268-6237
© 2016 Summer Infant, Inc.

Please retain information
for future reference.
Colors and styles may vary.
MADE IN CHINA.

4/17 Rev.2