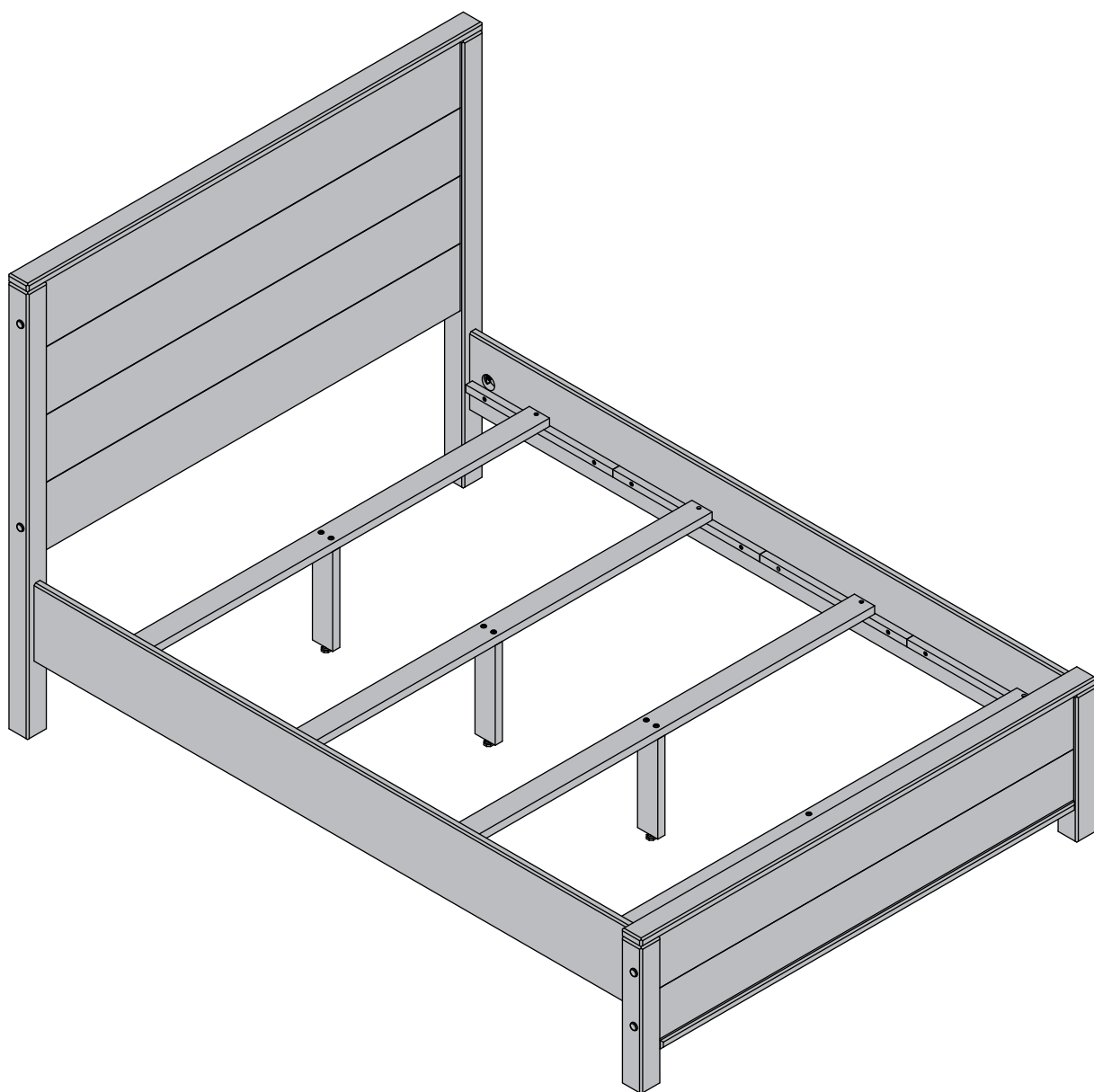


# Baja Platform Bed - Full Size



Assembly  
02 people



Time  
1:30 hours approximately



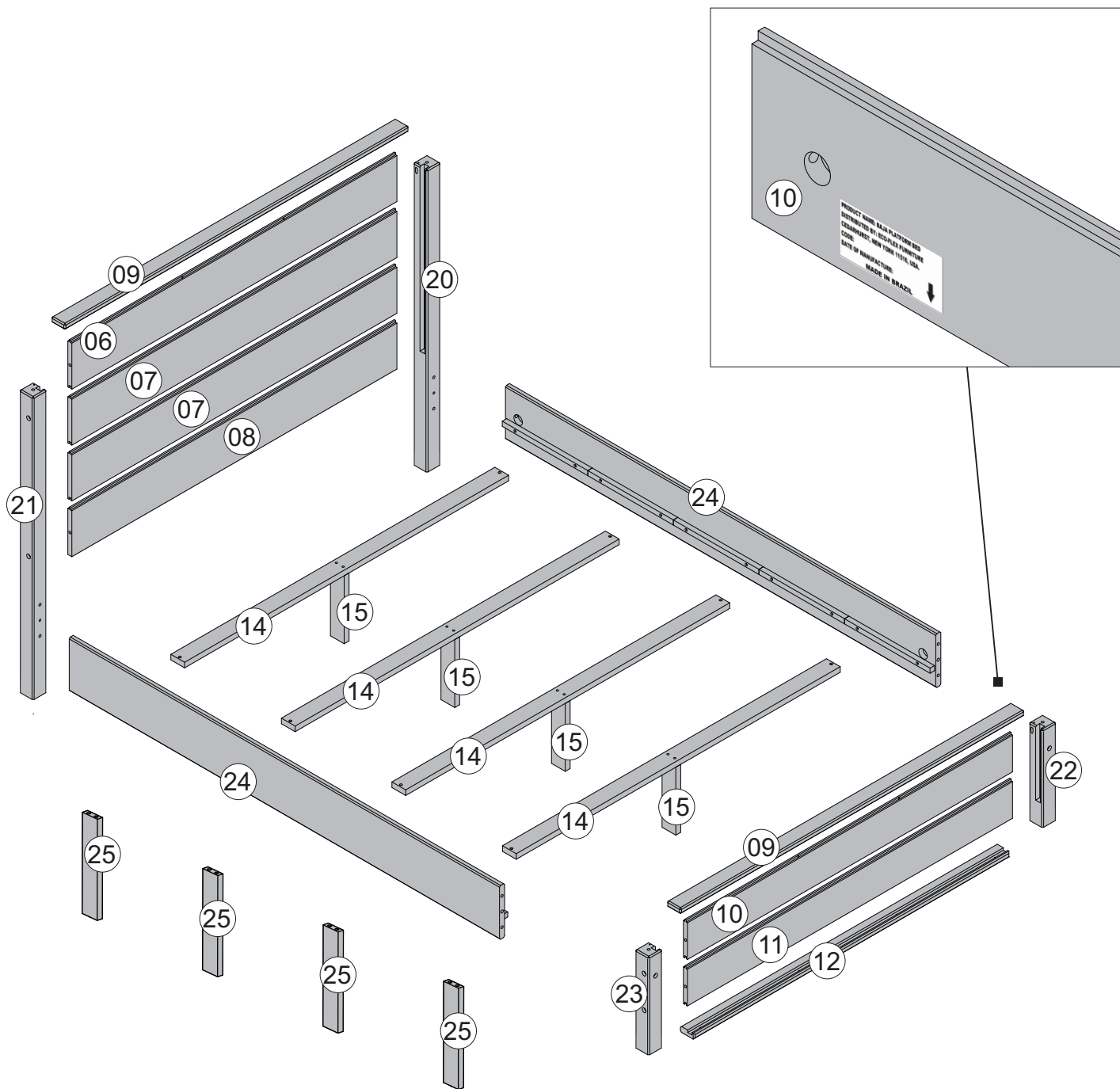
Tools  
philips key, rubber hammer



Volume quantity  
02 boxes

SBJ50 - 000




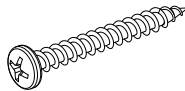


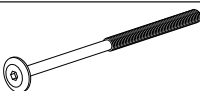
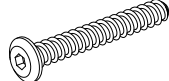
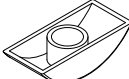
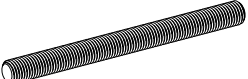
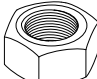
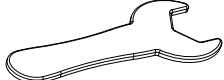

Parts list for assembly. Please confirm all parts available before assembly

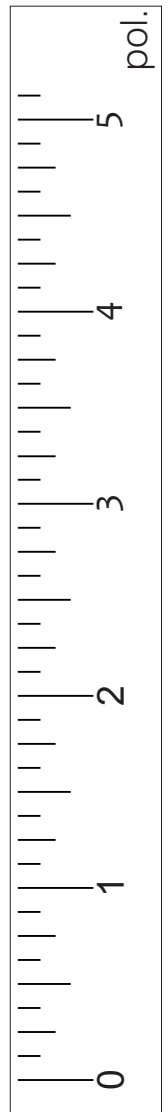


### ATTENTION

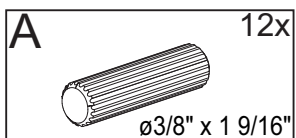
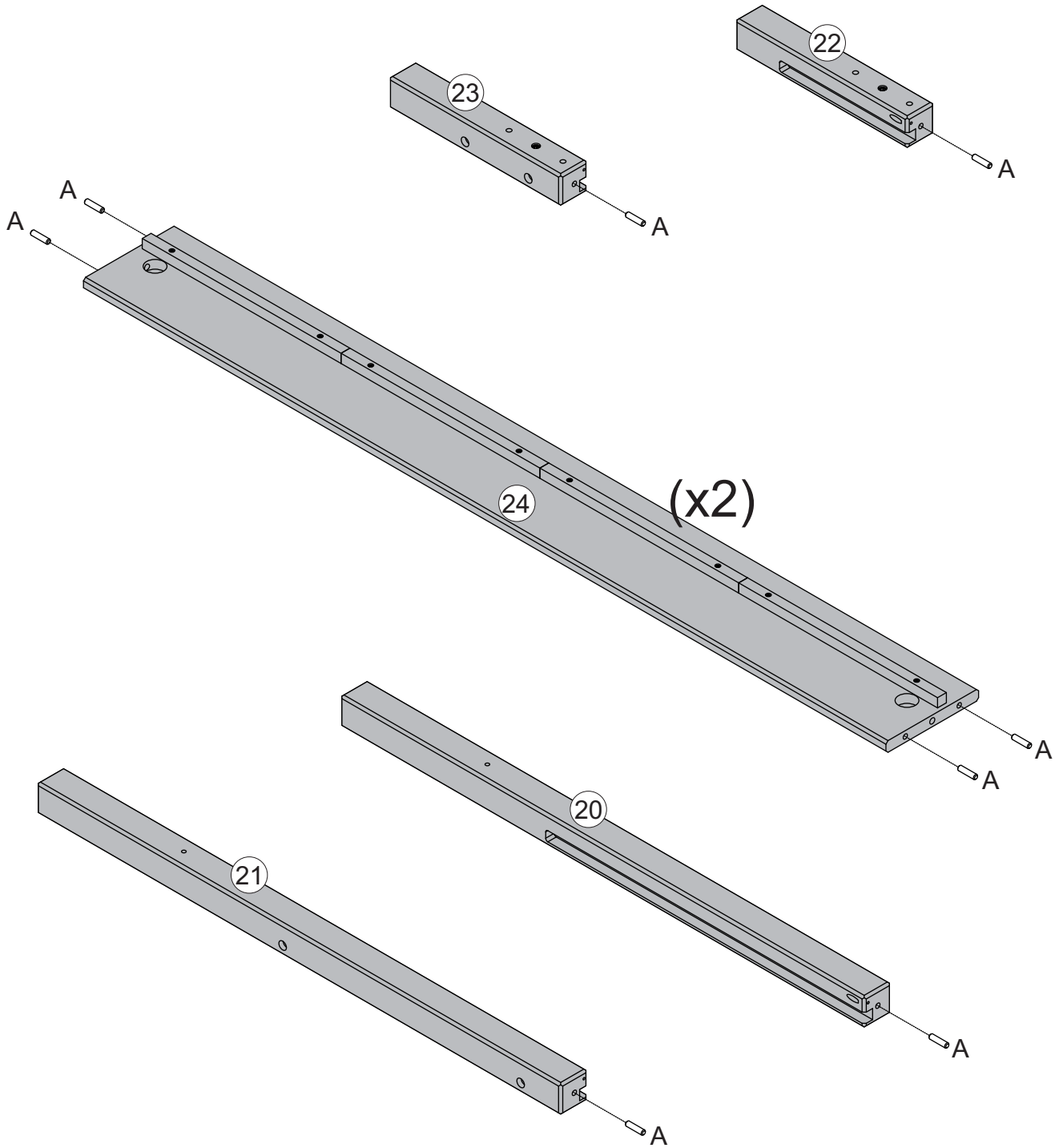
- \* Read and observe carefully all the assembly instructions before beginning assembly.
- \* The assembly of the product must be done on a clean and flat surface. We suggest to use the packaging to cover the floor to avoid damages.
- \* The screws must be tightened periodically.
- \* Avoid contact with sharp objects.
- \* Avoid banging pieces together.

Hardware list for assembly.  
Please confirm all hardware available before assembly

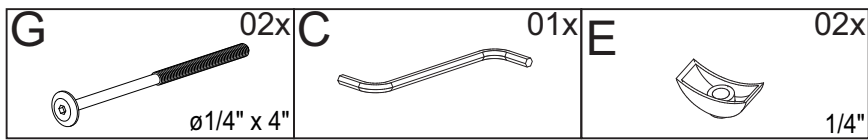
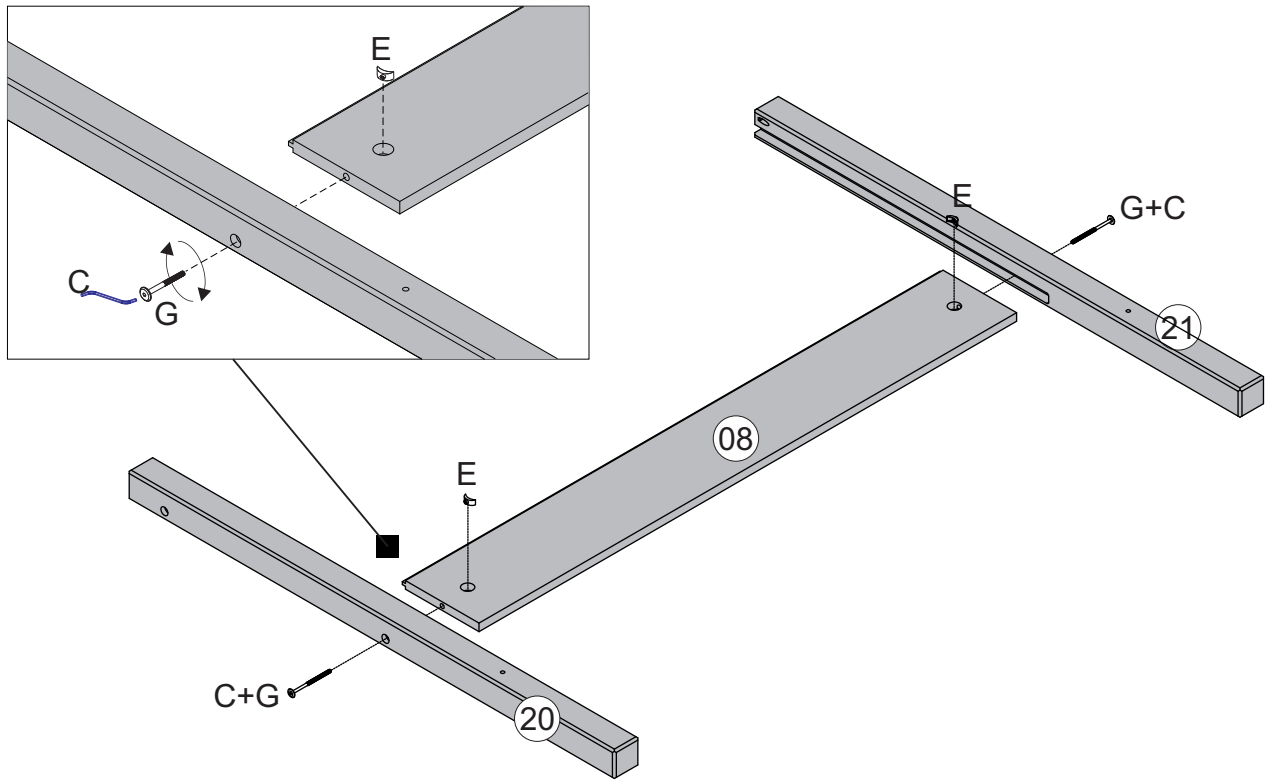
A		$\varnothing 3/8" \times 1 9/16"$	12x	+	SPARE 02x
B		$\varnothing 1/4" \times 4 3/4"$	02x		
C			01x		
D		$\varnothing 5/32" \times 1 3/8"$	20x	+	02x
E		$1/4"$	10x	+	02x
F		$\varnothing 3/4"$	08x	+	02x
G		$\varnothing 1/4" \times 4"$	08x	+	01x
H		$1/4" \times 2"$	08x	+	01x
I			02x		
J		$5/16" \times 3 9/16"$	02x		
K		$5/16"$	02x		
L			01x		
M		$1/4"$	04x		



Step - 01

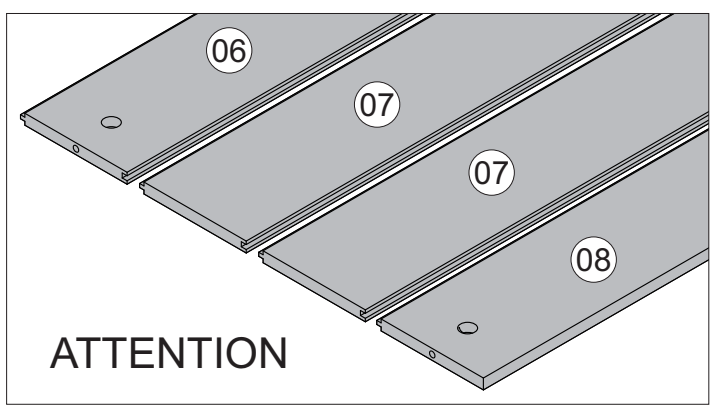
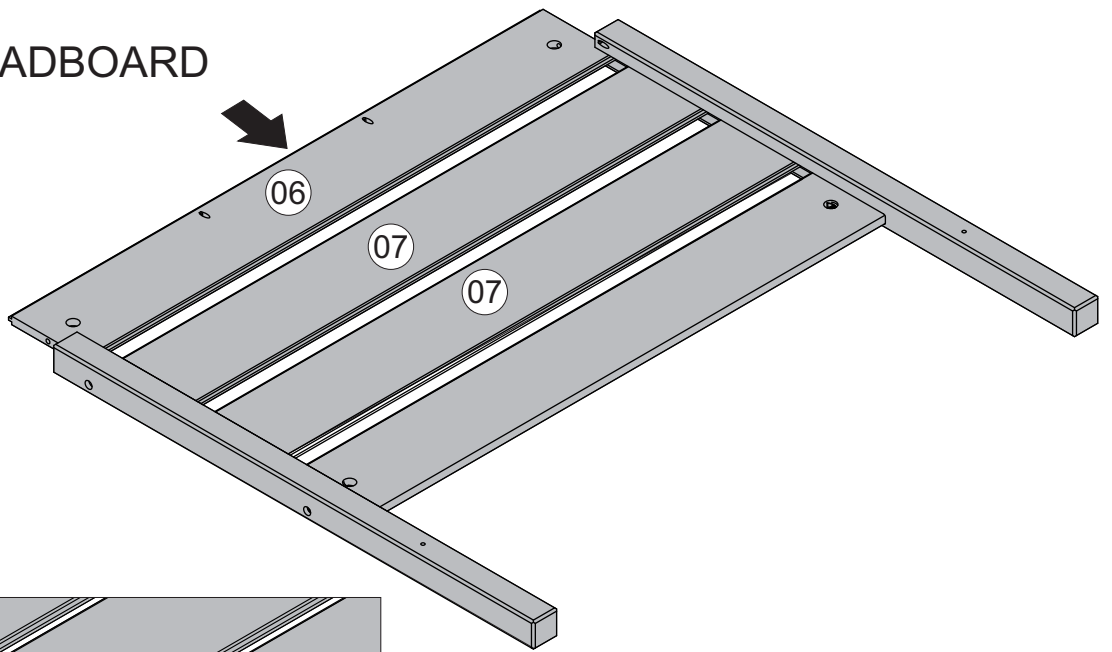


Step - 02

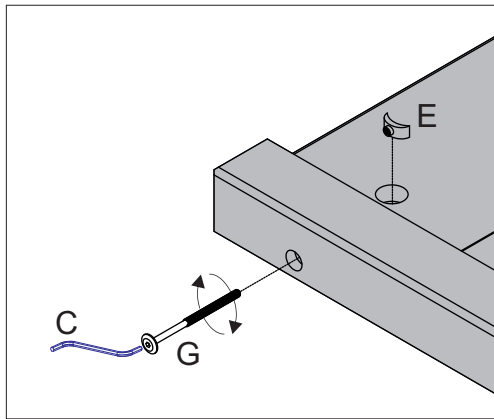
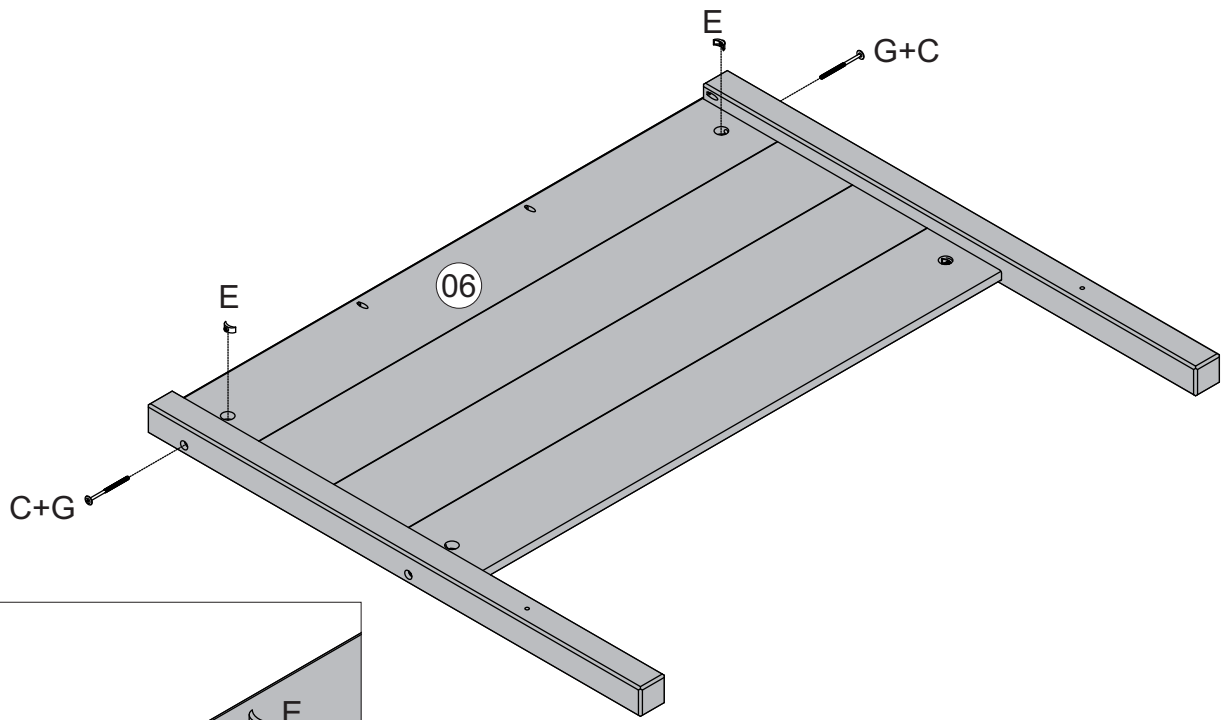


Step - 03




BACK SIDE HEADBOARD



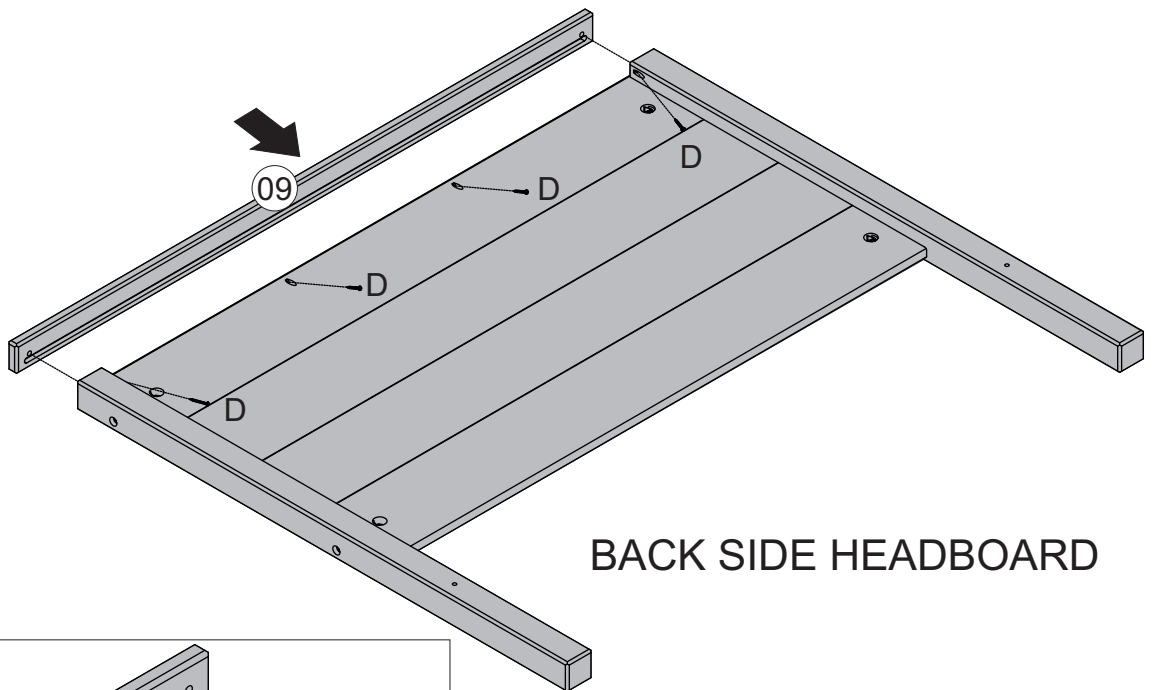
Step - 04



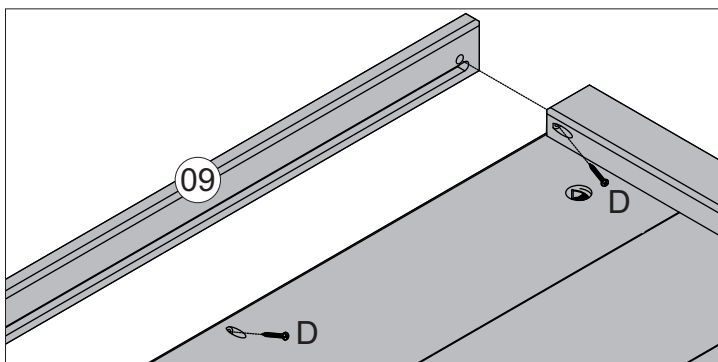
BACK SIDE HEADBOARD


<b>G</b>	02x	<b>C</b>	01x	<b>E</b>	02x
					
	ø1/4" x 4"				1/4"

Step - 05



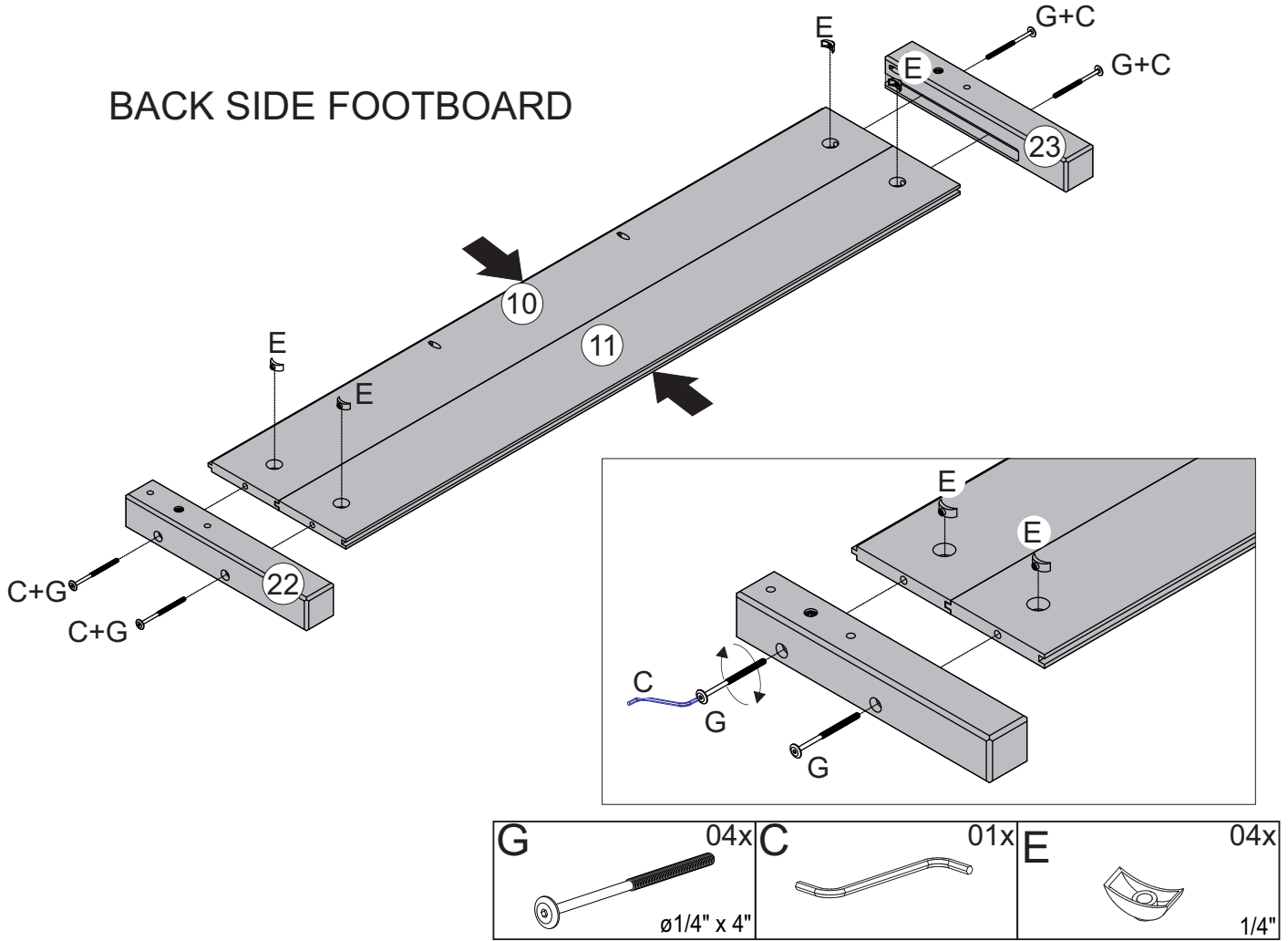
BACK SIDE HEADBOARD



<b>D</b>	04x
	
	ø5/32" x 1 3/8"

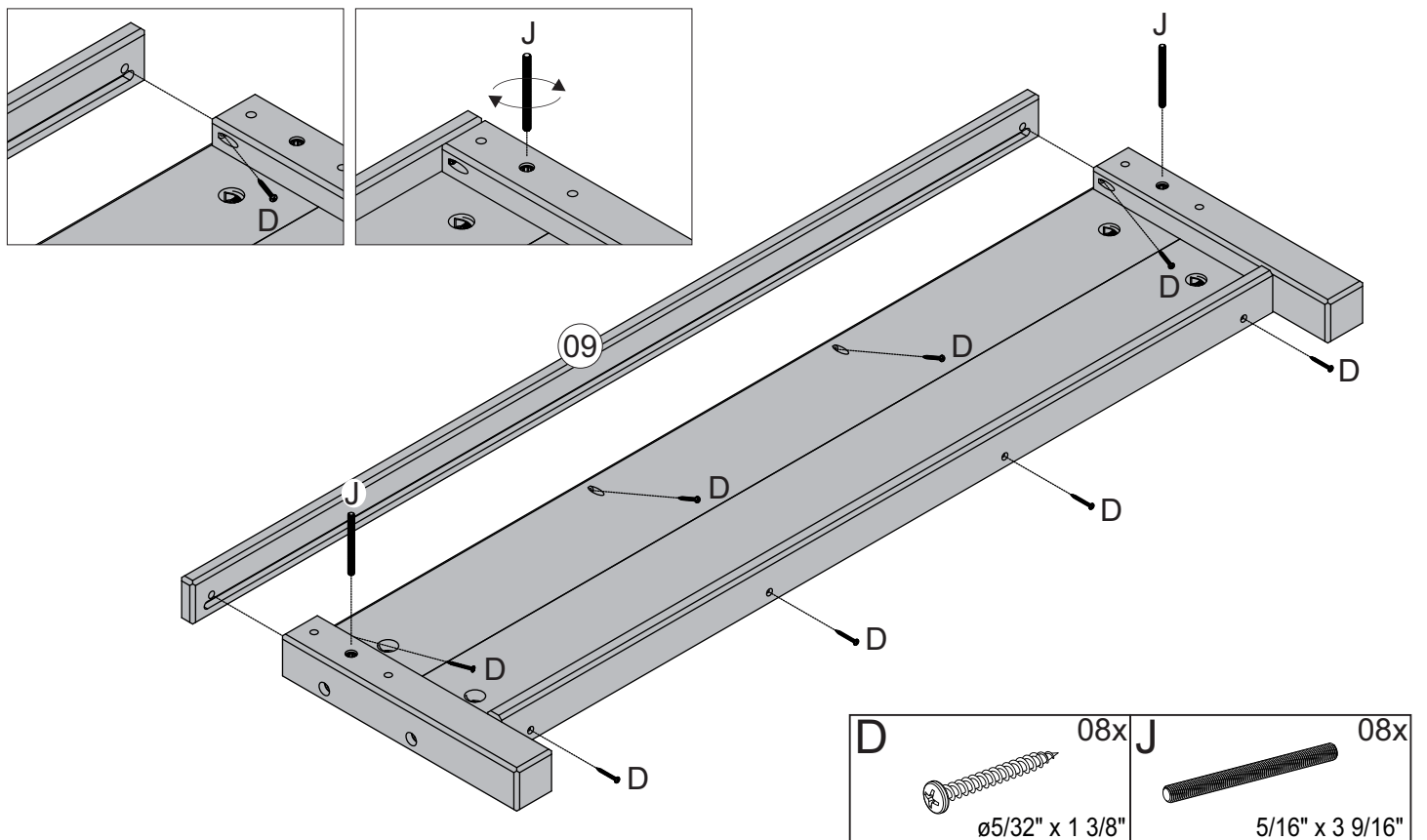
Step - 06

BACK SIDE FOOTBOARD



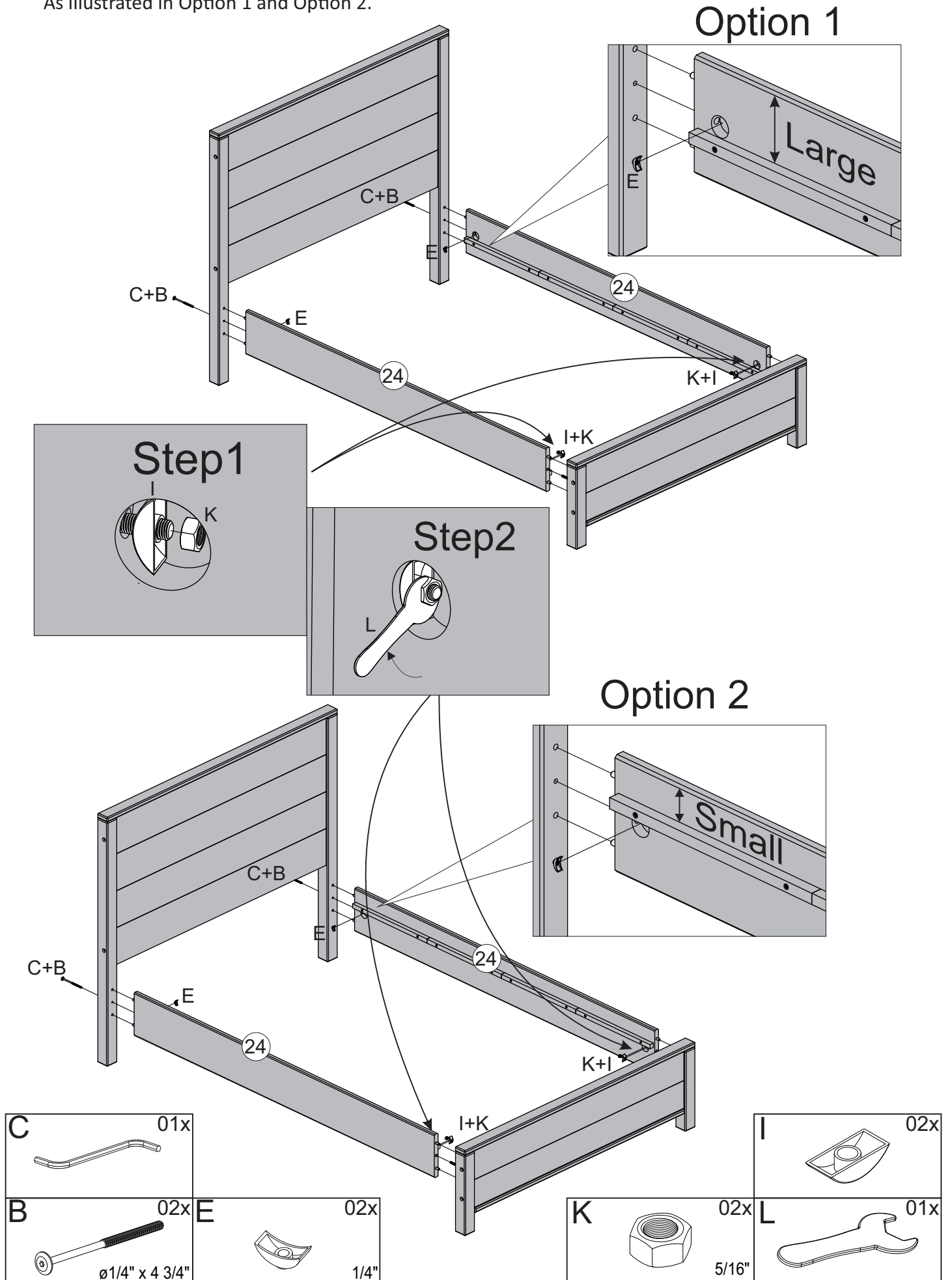
Step - 07

BACK SIDE FOOTBOARD



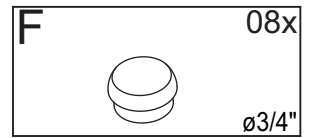
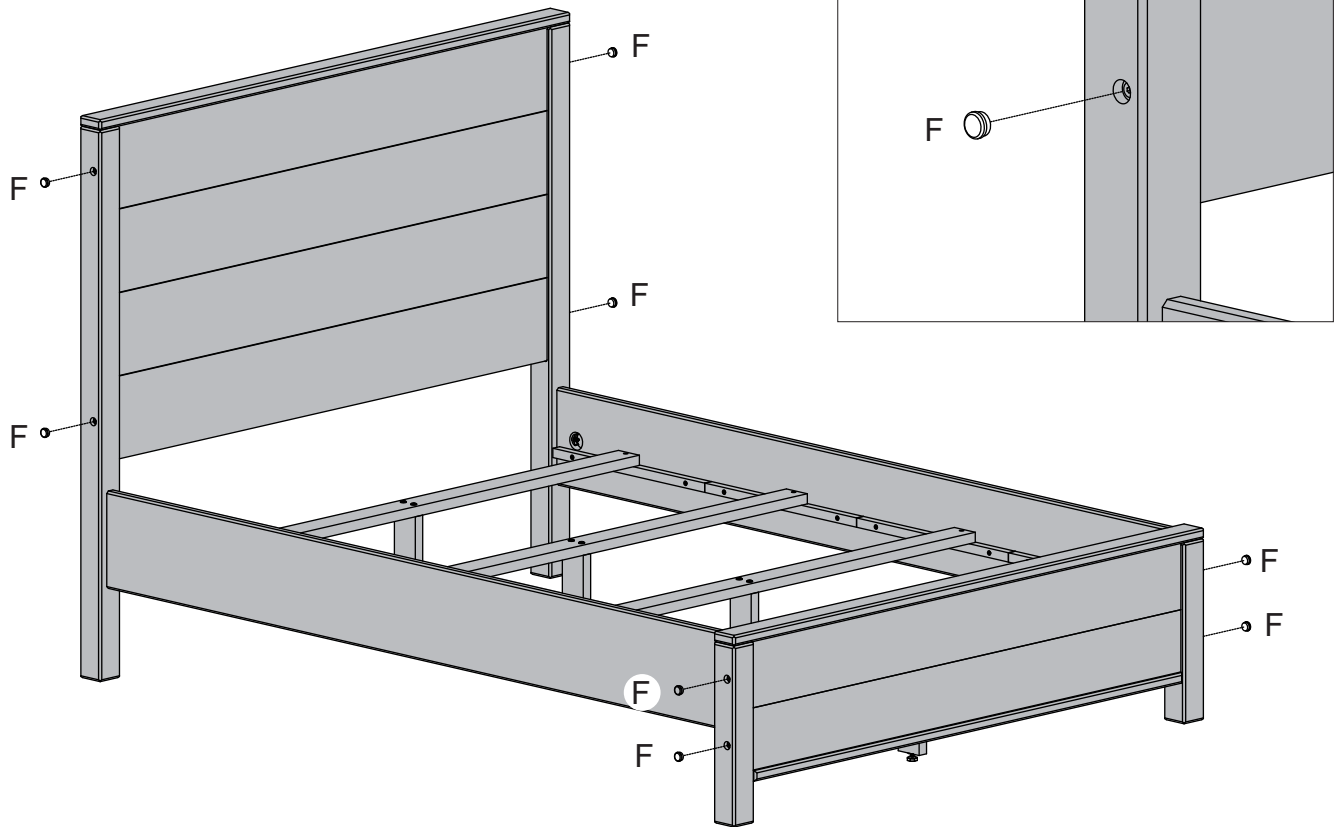
Step - 08

**Note:** Bed rails (Part No. 25) are designed to be reversible to accommodate different mattress heights. The rails can be flipped to adjust the bed cleat, allowing it to be positioned higher or lower as needed. As illustrated in Option 1 and Option 2.





Step - 11



Step - 12

