

OVER THE RANGE MICROWAVE



SmartHome



Download the app
& activate product

USER MANUAL

MMO12S3AST

Warning notices: Before using this product, please read this manual carefully and keep it for future reference. The design and specifications are subject to change without prior notice for product improvement. Consult with your dealer or manufacturer for details. The diagram above is just for reference. Please take the appearance of the actual product as the standard.

THANK YOU LETTER

Thank you for choosing Midea! Before using your new Midea product, please read this manual thoroughly to ensure that you know how to operate the features and functions that your new appliance offers in a safe way.

CONTENTS

THANK YOU LETTER	EN-01
SAFETY INSTRUCTIONS	EN-02
SPECIFICATION	EN-12
PRODUCT OVERVIEW	EN-13
PRODUCT INSTALLATION	EN-14
OPERATION INSTRUCTIONS	EN-50
APP SETUP AND OPERATION	EN-63
TROUBLE SHOOTING	EN-64
TRADEMARKS, COPYRIGHTS AND LEGAL STATEMENT ..	EN-65
DATA PROTECTION NOTICE	EN-66

SAFETY INSTRUCTIONS

Intended Use

The following safety guidelines are intended to prevent unforeseen risks or damage from unsafe or incorrect operation of the appliance. Please check the packaging and appliance on arrival to make sure everything is intact to ensure safe operation. If you find any damage, please contact the retailer or dealer. Please note modifications or alterations to the appliance are not allowed for your safety concern. Unintended use may cause hazards and loss of warranty claims.

Explanation of Symbols



Danger

This symbol indicates that there are dangers to the life and health of persons due to extremely flammable gas.



Warning of electrical voltage

This symbol indicates that there is a danger to life and health of persons due to voltage.



Warning

The signal word indicates a hazard with a medium level of risk which, if not avoided, may result in death or serious injury.



Caution

The signal word indicates a hazard with a low degree of risk which, if not avoided, may result in minor or moderate injury.



Attention

The signal word indicates important information (e.g. damage to property), but not danger.



Observe instructions

This symbol indicates that a service technician should only operate and maintain this appliance in accordance with the operating instructions.

Read these operating instructions carefully and attentively before using/commissioning the unit and keep them in the immediate vicinity of the installation site or unit for later use!

PRECAUTIONS TO AVOID POSSIBLE EXPOSURE TO EXCESSIVE MICROWAVE ENERGY

- a. Do not attempt to operate this oven with the door open since open door operation can result in harmful exposure to microwave energy. It is important not to defeat or tamper with the safety interlocks.
- b. Do not place any object between the oven front face and the door or allows soil or cleaner residue to accumulate on sealing surfaces.
- c. Do not operate the oven if it is damaged. It is particularly important that the oven door close properly and that there is no damage to the:
 - DOOR (bent)
 - HINGES AND LATCHES (broken or loosened)
 - DOOR SEALS AND SEALING SURFACES
- d. The oven should not be adjusted or repaired by anyone except properly qualified service personnel.

IMPORTANT SAFETY INSTRUCTIONS

When using electrical appliances basic safety precautions should be followed, including the following:

▲ WARNING

To reduce the risk of burns, electric shock, fire, injury to persons or exposure to excessive microwave energy:

- Read all instructions before using the appliance.
- Read and follow the specific: "PRECAUTIONS TO AVOID POSSIBLE EXPOSURE TO EXCESSIVE MICROWAVE ENERGY" found on page 3.
- This appliance must be grounded. Connect only to properly grounded outlet. See "GROUNDING INSTRUCTIONS" found on page 7.
- Install or locate this appliance only in accordance with the provided installation instructions.
- Some products such as whole eggs and sealed containers - for example, closed glass jars - are able to explode and should not be heated in this oven.
- Use this appliance only for its intended use as described in the manual. Do not use corrosive chemicals or vapors in this appliance. This type of oven is specifically designed to heat, cook or dry food. It is not designed for industrial or laboratory use.
- As with any appliance, close supervision is necessary when used by children.
- Do not operate this appliance if it has a damaged cord or plug, if it is not working properly, or if it has been damaged or dropped.
- This appliance should be serviced only by qualified service personnel. Contact nearest authorized service

facility for examination, repair, or adjustment.

- Do not cover or block any openings on the appliance.
- Do not store this appliance outdoors. Do not use this product near water - for example, near a kitchen sink, in a wet basement, near a swimming pool, or similar location.
- Do not immerse cord or plug in water.
- Keep cord away from heated surface.
- Do not let cord hang over edge of table or counter.
- When cleaning surfaces of door and oven that comes together on closing the door, use only mild, nonabrasive soaps, or detergent applied with a sponge or soft cloth.
- To reduce the risk of fire in the oven cavity:
 - Do not overcook food. Carefully attend appliance when paper, plastic, or other combustible materials are placed inside the oven to facilitate cooking.
 - Remove wire twist-ties from paper or plastic bag before placing bag in oven.
 - If material inside of the oven ignite, keep oven door closed, turn oven off, and disconnect the power cord, or shut off power at the fuse or circuit breaker panel.
 - Do not use the cavity for storage purposes. Do not leave paper products, cooking utensils, or food in the cavity when not in use.
- Liquids, such as water, coffee, or tea are able to be overheated beyond the boiling point without appearing to be boiling. Visible bubbling or boiling when the container is removed from the microwave oven is not always present.

THIS COULD RESULT IN VERY HOT LIQUID
SUDDENLY BOILING OVER WHEN THE CONTAINER
IS DISTURBED OR A UTENSIL IS INSERTED INTO THE

LIQUID. To reduce the risk of injury to persons:

- Do not overheat the liquid.
- Stir the liquid both before and halfway through heating it.
- Do not use straight-sided containers with narrow necks.
- After heating, allow the container to stand in the microwave oven for a short time before removing the container.
- Use extreme care when inserting a spoon or other utensil into the container.
- Oversized food or oversized metal utensils should not be inserted in a microwave/toaster oven as they may create a fire or risk of electric shock.
- Do not clean with metal scouring pads. Pieces can burn off the pad and touch electrical parts involving a risk of electric shock.
- Do not use paper products when appliance is operated in the toaster mode.
- Do not store any materials, other than manufacturer's recommended accessories, in this oven when not in use.
- Do not cover racks or any other part of the oven with metal foil. This will cause overheating of the oven.
- Clean Ventilation Hoods Frequently - Grease should not be allowed to accumulate on hood or filter.
- When flaming foods under the hood, turn the fan on.
- Use care when cleaning the vent-hood filter. Corrosive cleaning agents, such as lyebased oven cleaners, may damage the filter.
- Suitable for use above both gas and electric cooking equipment.

SAVE THESE INSTRUCTIONS

GROUNDING INSTRUCTIONS

This appliance must be grounded. In the event of an electrical short circuit, grounding reduces the risk of electric shock by providing an escape wire for the electric current. This appliance is equipped with a cord having a grounding wire with a grounding plug. The plug must be plugged into an outlet that is properly installed and grounded.

⚠ WARNING

Improper use of the grounding can result in a risk of electric shock. Consult a qualified electrician or serviceman if the grounding instructions are not completely understood, or if doubt exists as to whether the appliance is properly grounded. If it is necessary to use an extension cord, use only a 3-wire extension cord that has a 3-blade grounded plug, and 3-slot receptacle that will accept the plug on the appliance. The marked rating of the extension cord shall be equal to or greater than the electrical rating of the appliance.

⚠ DANGER

Touching some of the internal components can cause serious personal injury or death. Do not disassemble this appliance.

⚠ WARNING

Electric Shock Hazard

Improper use of the grounding can result in electric shock. Do not plug into an outlet until appliance is properly installed and grounded.

- A short power-supply cord is provided to reduce the risks resulting from becoming entangled in or tripping over a longer cord.
- Longer cord sets or extension cords are available and may be used if care is exercised in their use.
- If a long cord or extension cord is used:
 - The marked electrical rating of the cord set or extension cord should be at least as great as the electrical rating of the appliance.
 - The extension cord must be a grounding-type 3-wire cord.
 - The longer cord should be arranged so that it will not drape over the counter top or tabletop where it can be pulled on by children or tripped over unintentionally.

RADIO INTERFERENCE

- Operation of the microwave oven may cause interference to your radio, TV or similar equipment.
- When there is interference, it may be reduced or eliminated by taking the following measures:
 - Clean door and sealing surface of the oven
 - Reorient the receiving antenna of radio or television.
 - Relocate the microwave oven with respect to the receiver.
 - Move the microwave oven away from the receiver.
 - Plug the microwave oven into a different outlet so that microwave oven and receiver are on different branch circuits.

**This device complies with part 18
of the FCC Rules.**

UTENSILS

⚠ CAUTION

Personal Injury Hazard

Tightly-closed utensils could explode. Closed containers should be opened and plastic pouches should be pierced before cooking.

See the instructions on “Materials you can use in microwave oven or to be avoided in microwave oven.”

There may be certain non-metallic utensils that are not safe to use for microwaving. If in doubt, you can test the utensil in question following the procedure below.

Utensil Test:

- Fill a microwave-safe container with 1 cup of cold water (250ml) along with the utensil in question.
- Cook on maximum power for 1 minute.
- Carefully feel the utensil. If the empty utensil is warm, do not use it for microwave cooking.
- Do not exceed 1 minute cooking time.

Materials You Can Use In Microwave Oven

Utensils	Remarks
Browning dish	Follow manufacturer's instructions. The bottom of browning dish must be at least 3/16 inch (5mm) above the turntable. Incorrect usage may cause the turntable to break.
Dinnerware	Microwave-safe only. Follow manufacturer's instructions. Do not use cracked or chipped dishes.
Glass jars	Always remove lid. Use only to heat food until just warm. Most glass jars are not heat resistant and may break.
Glassware	Heat-resistant oven glassware only. Make sure there is no metallic trim. Do not use cracked or chipped dishes.
Oven cooking bags	Follow manufacturer's instructions. Do not close with metal tie. Make slits to allow steam to escape.
Paper plates and cups	Use for short-term cooking/warming only. Do not leave oven unattended while cooking.
Paper towels	Use to cover food for reheating and absorbing fat. Use with supervision for a short-term cooking only.
Parchment paper	Use as a cover to prevent splattering or a wrap for steaming.
Plastic	Microwave-safe only. Follow the manufacturer's instructions. Should be labeled "Microwave Safe". Some plastic containers soften, as the food inside gets hot. "Boiling bags" and tightly closed plastic bags should be slit, pierced or vented as directed by package.
Plastic wrap	Microwave-safe only. Use to cover food during cooking to retain moisture. Do not allow plastic wrap to touch food.
Thermometers	Microwave-safe only (meat and candy thermometers).
Wax paper	Use as a cover to prevent splattering and retain moisture.

Materials To Be Avoided In Microwave Oven

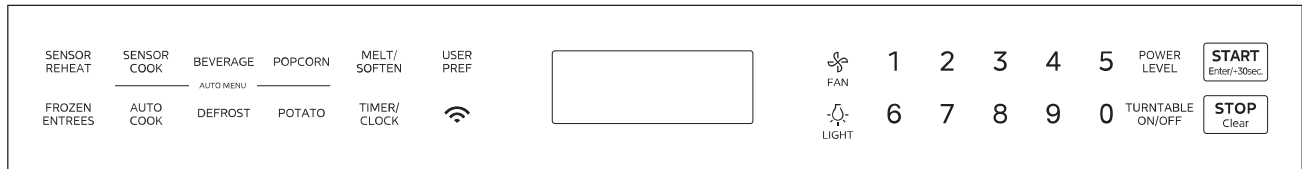
Utensils	Remarks
Aluminum tray	May cause arcing. Transfer food into microwave-safe dish.
Food carton with metal handle	May cause arcing. Transfer food into microwave-safe dish.
Metal or metal-trimmed utensils	Metal shields the food from microwave energy. Metal trim may cause arcing.
Metal twist ties	May cause arcing and could cause a fire in the oven.
Paper bags	May cause a fire in the oven.
Plastic foam	Plastic foam may melt or contaminate the liquid inside when exposed to high temperature.
Wood	Wood will dry out when used in the microwave oven and may split or crack.

SPECIFICATION

MODEL	MMO12S3AST
POWER SUPPLY	120 V~ 60 Hz
RATED INPUT (Microwave)	1500 W
RATED OUTPUT (Microwave)	1000 W

PRODUCT OVERVIEW

Control Panel



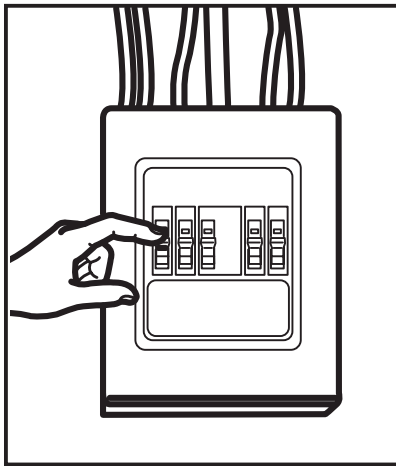
PRODUCT INSTALLATION

Important Safety Instructions

This product requires a three-prong grounded outlet. The installer must perform a ground continuity check on the power outlet box before beginning the installation to ensure that the outlet box is properly grounded. If not properly grounded, or if the outlet box does not meet electrical requirements noted (under ELECTRICAL REQUIREMENTS), a qualified electrician should be employed to correct any deficiencies.

CAUTION:

For personal safety, remove house fuse or open circuit breaker before beginning installation to avoid severe or fatal shock injury.



CAUTION:

For personal safety, the mounting surface must be capable of supporting the cabinet load, in addition to the added weight of this 63–85 pound (28.5–38.5 kg) product, plus additional oven loads of up to 50 pounds (22.7 kg) or a total weight of 113–135 pounds (51.3–61.2 kg).

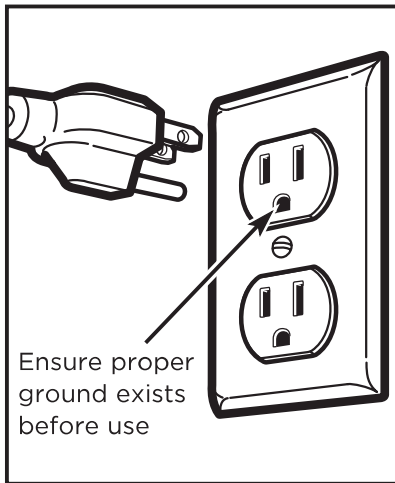
CAUTION:

For personal safety, this product cannot be installed in cabinet arrangements such as an island or a peninsula. It must be mounted to BOTH a top cabinet AND a wall.

NOTE

For easier installation and personal safety, it is recommended that two people install this product.

IMPORTANT - PLEASE READ CAREFULLY. FOR PERSONAL SAFETY, THIS APPLIANCE MUST BE PROPERLY GROUNDED TO AVOID SEVERE OR FATAL SHOCK.



The power cord of this appliance is equipped with a three-prong (grounding) plug which mates with a standard three-prong (grounding) wall receptacle to minimize the possibility of electric shock hazard from this appliance.

You should have the wall receptacle and circuit checked by a qualified electrician to make sure the receptacle is properly grounded.

Where a standard two-prong wall receptacle is encountered, it is very important to have it replaced with a properly grounded three-prong wall receptacle, installed by a qualified electrician.

DO NOT, UNDER ANY CIRCUMSTANCES, CUT, DEFORM OR REMOVE ANY OF THE PRONGS FROM THE POWER CORD. DO NOT USE WITH AN EXTENSION CORD.

Electrical Requirements


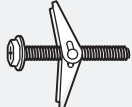


Product rating is 120 volts AC, 60 Hertz, 15 amps and 1.5 kilowatts. This product must be connected to a separate and dedicated supply circuit of the proper voltage and frequency. Wire size must conform to the requirements of the National Electrical Code or the prevailing local code for this kilowatt rating. The power supply cord and plug should be brought to a separate and dedicated 15- to 20- ampere branch circuit single grounded outlet. The outlet box should be located in the cabinet above the microwave oven. The outlet box and supply circuit should be installed by a qualified electrician and conform to the National Electrical Code or the prevailing local code.

Damage—Shipment/Installation

- If the unit is damaged in shipment, return the unit to the store in which it was bought for repair or replacement.
- If the unit is damaged by the customer, repair or replacement is the responsibility of the customer.
- If the unit is damaged by the installer (if other than the customer), repair or replacement must be made by arrangement between customer and installer.

Parts Included

HARDWARE PACKET

	PART	QUANTITY
	Wood Screws (1/4" x 2")	2
	Toggle Bolts (and wing nuts) (3/16" x 3")	2
	Self-Aligning Machine Screws (1/4"-28 x 3 1/4")	3
	Nylon Grommet (for metal cabinets)	1



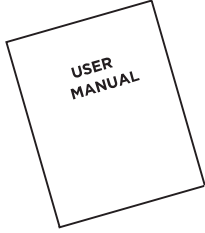
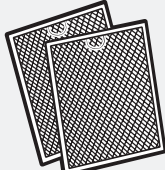
You will find the installation hardware contained in a packet with the unit. Check to make sure you have all these parts.

 **NOTE:**

Some extra parts are included.

Parts Included (Cont.)

ADDITIONAL PARTS

	PART	QUANTITY
	Top Cabinet Template	1
	Rear Wall Template	1
	User Manual	1
	Separately Packed Grease Filters	2

	Exhaust adaptor	1
	Glass Tray	1
	Turntable Ring	1

Tools You Will Need

Tape measure

#1 Phillips screw driver

Hole saw

Electric drill

Stud finder or hammer

3/16", 1/2", 5/8" drill bit

Level

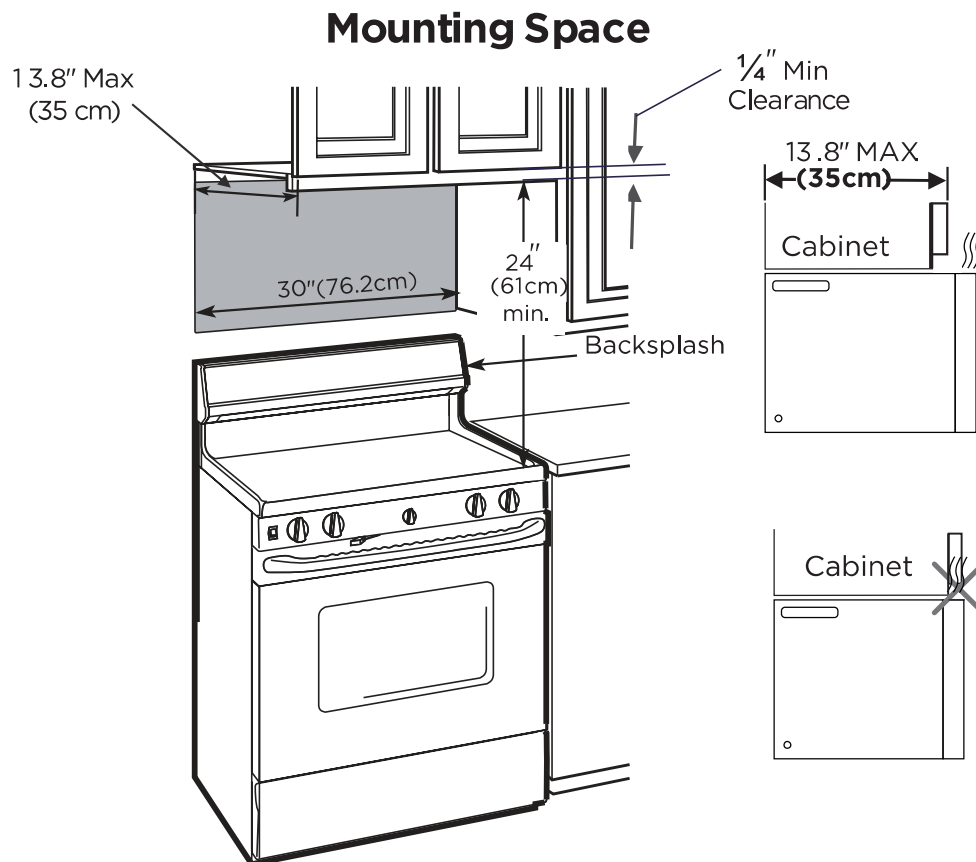
Filler wood blocks for recessed bottom cabinets

Duct and masking tape

Scissors

Tin snips

Mounting Space

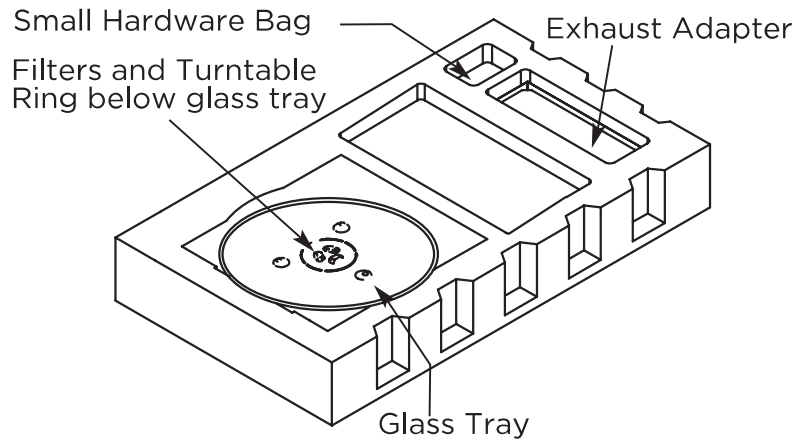


1. The space between the cabinets must be 30" (76.2 cm) wide and free of obstructions.
2. If you are going to vent your microwave oven to the outside, see Hood Exhaust Section for exhaust duct preparation.
3. When installing the microwave oven beneath smooth, flat cabinets, be careful to follow the instructions on the top cabinet template for power cord clearance.
4. As a guide to installation, see page 26 for Mounting Template Information.
5. If the cabinet depth, including the cabinet doors, is more than 13.8", then the unit must be spaced out from wall using adequate materials supporting 150 lbs to allow proper top vent air exhaust/intake.

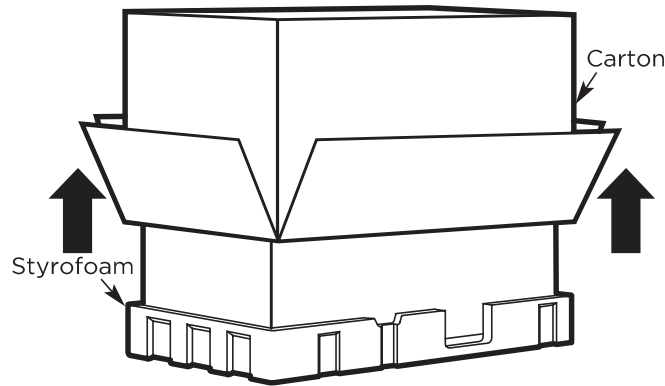
1. Placement Of The Mounting Plate

A. REMOVING THE MICROWAVE OVEN FROM THE CARTON/REMOVING THE MOUNTING PLATE

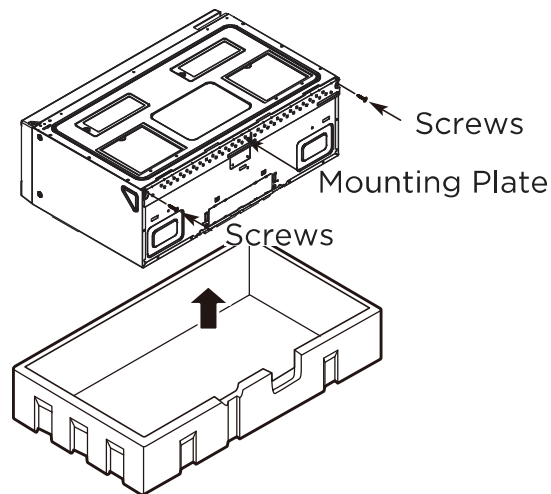
1. Remove the installation instructions, use and care, exhaust adapter, turntable ring, filters, glass tray and the small hardware bag. Do not remove the Styrofoam protecting the top of the oven. please note: Do Not Remove plastic plug protective cover until just before hanging the unit.
Keep the unit at least 8 inches away from the counter top edge to prevent dropping because of the heavy door.



2. Fold back all 4 carton flaps fully against carton sides. Then carefully roll the oven and carton over onto the top side. The oven should be resting in the Styrofoam.

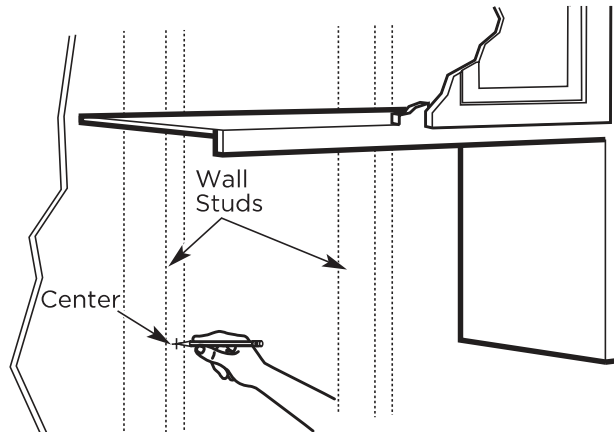


3. Pull the carton up and off the oven.
4. Cut the middle of the outer protective plastic bag to remove the mounting plate



5. Remove the screws from each end of the mounting plate. This plate will be used as the rear wall template and for mounting. Reinstall the screws into the holes where they were removed.

B. FINDING THE WALL STUDS

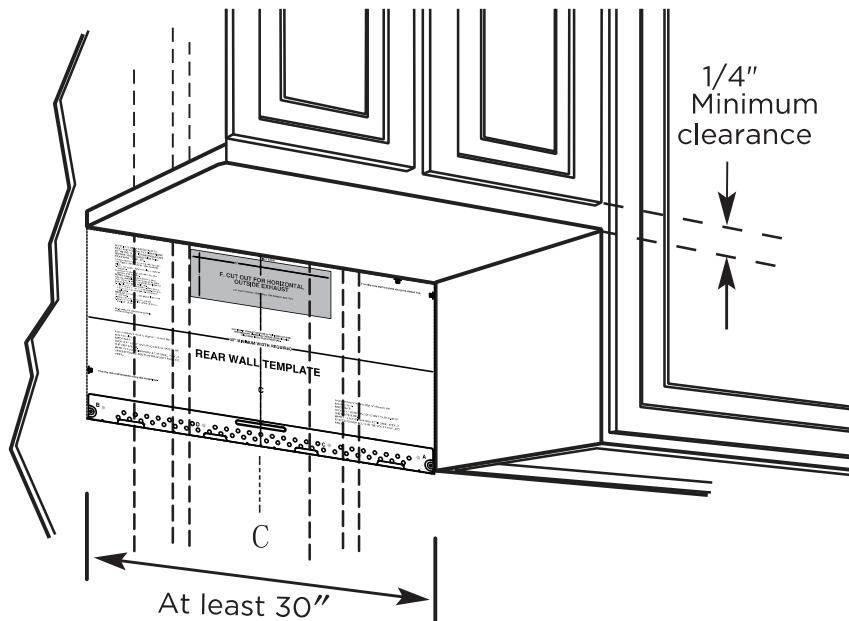


1. Find the studs, using one of the following methods:
 - A. Stud finder - a magnetic device which locates nails.
 - B. Use a hammer to tap lightly across the mounting surface to find a solid sound. This will indicate a stud location.
2. After locating the stud(s), find the center by probing the wall with a small nail to find the edges of the stud. Then place a mark halfway between the edges. The center of any adjacent studs should be 16" (40.6 cm) or 24" (61 cm) from this mark.
3. Draw a line down the center of the studs.

THE MICROWAVE MUST BE CONNECTED TO AT LEAST ONE WALL STUD.

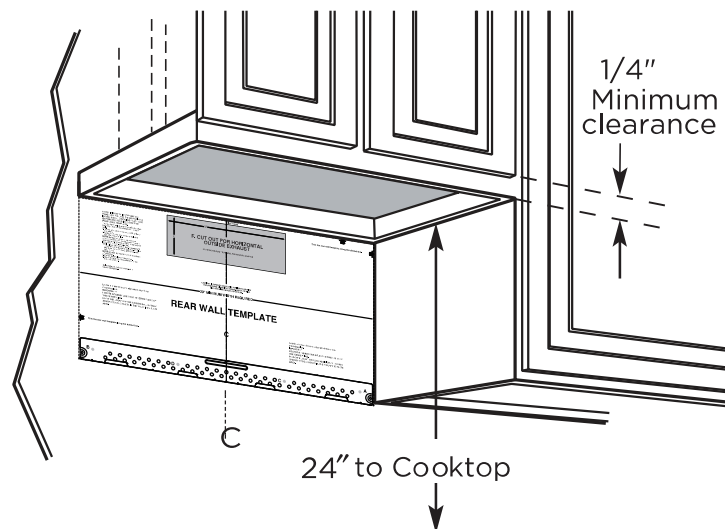
C. DETERMINING WALL PLATE LOCATION UNDER YOUR CABINET

Plate position -beneath flat bottom cabinet



Draw a vertical line on the wall at the center of the 30" wide space.
Tape the Rear Wall Template onto the wall matching the centerline and touching the bottom of the cabinet.

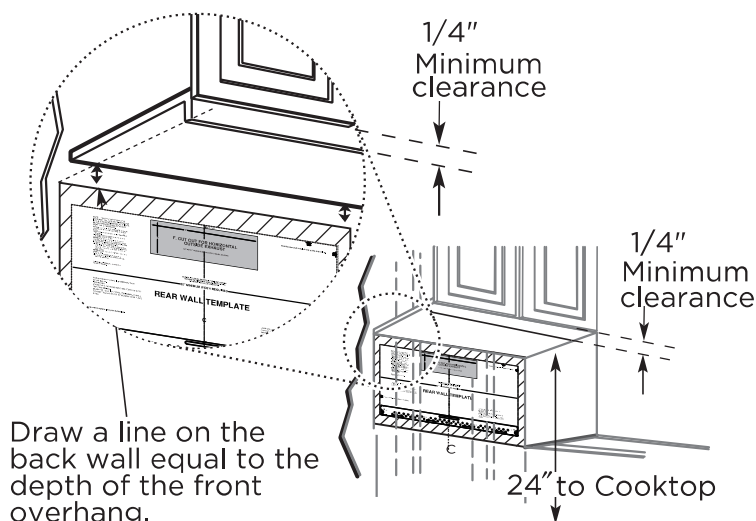
Plate position-beneath framed recessed cabinet bottom



Draw a vertical line on the wall at the center of the 30" space.

Tape the Rear Wall Template onto the wall matching the centerline and touching the bottom cabinet frame.

Plate position-beneath recessed bottom cabinet with front overhang



Draw a line on the back wall equal to the depth of the front overhang.

Your cabinets may have decorative trim that interferes with the microwave installation. Remove the decorative trim to install the microwave properly and to make it level.

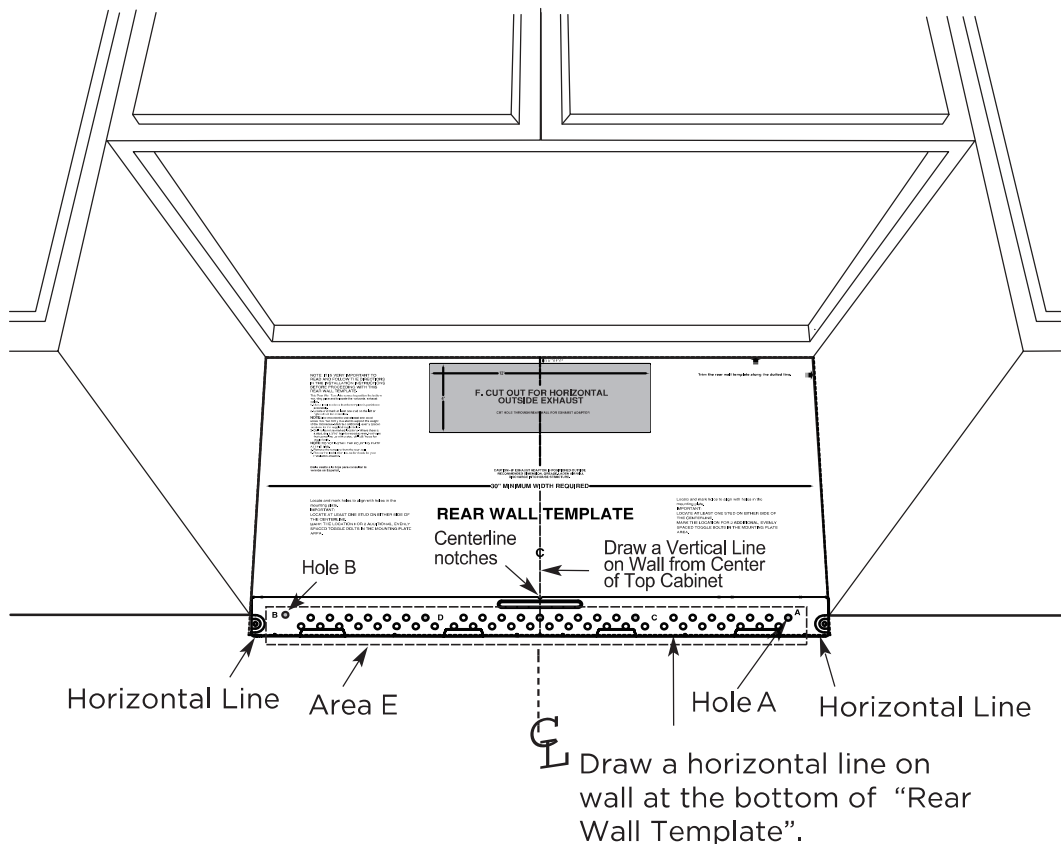
THE MICROWAVE MUST BE LEVEL.

Use a level to make sure the cabinet bottom is level.

If the cabinets have a front overhang only, with no back or side frame, install the mounting plate down the same distance as the front overhang depth. This will keep the microwave level.

1. Measure the inside depth of the front overhang.
2. Draw a horizontal line on the back wall an equal distance below the cabinet bottom as the inside depth of the front overhang.
3. For this type of installation with front overhang only, align the mounting tabs with this horizontal line, not touching the cabinet bottom as described in Step D.

D. ALIGNING THE WALL PLATE



1. Draw a vertical line on the wall at the center of the 30" wide space.
2. Draw a horizontal line on the wall at the bottom of "Rear Wall Template".
3. Find a wall stud in area "E" of mounting plate Refer to section 1B. Finding the wall studs.
4. For attaching the mounting plate into stud drill a 3/16" hole into wood stud. Drill a 5/8" hole for toggle bolt in 1 other location (Hole A or Hole B)

NOTE

DO NOT MOUNT THE PLATE AT THIS TIME.

NOTE

Holes A and B are inside area E. If neither of Holes A and B are not in a stud, find a stud somewhere in area E and draw a circle to line up with the stud. It is important to have at least one wood screw mounted firmly in a stud to support the weight of the microwave. Set the mounting plate aside.

2. Installation Types (Choose A, B or C)

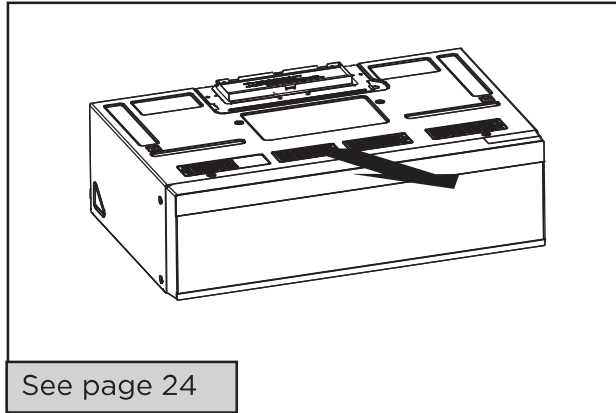
This microwave oven is designed for adaptation to the following three types of ventilation:

- A. Recirculating (Non-Vented Ductless)
- B. Outside Back Exhaust (Horizontal Duct)
- C. Outside Top Exhaust (Vertical Duct)

NOTE:

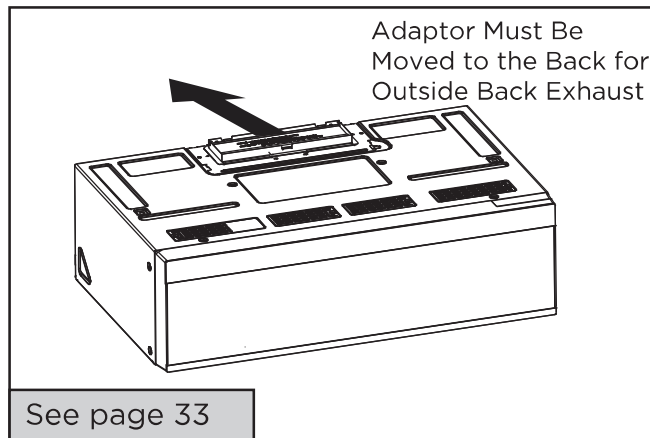
This microwave is shipped assembled for Recirculating. Select the type of ventilation required for your installation and proceed to that section.

A. RECIRCULATING (NON-VENTED DUCTLESS)

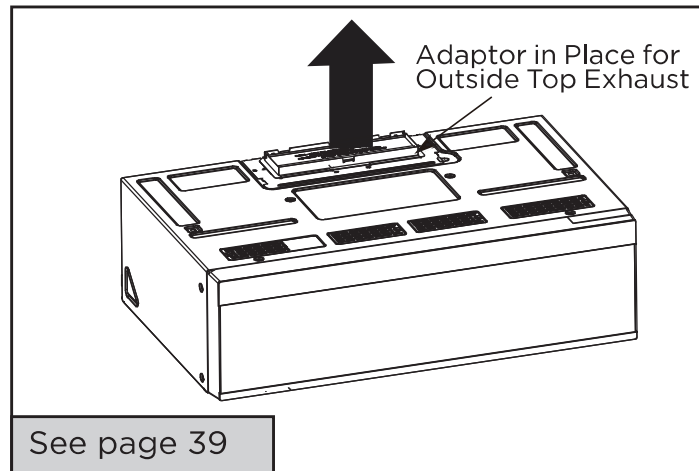


Models are shipped for recirculating exhaust. Some have a models disposable charcoal filter installed to help remove smoke and odors.

B. OUTSIDE BACK EXHAUST (HORIZONTAL DUCT)



C. OUTSIDE TOP EXHAUST (VERTICAL DUCT)



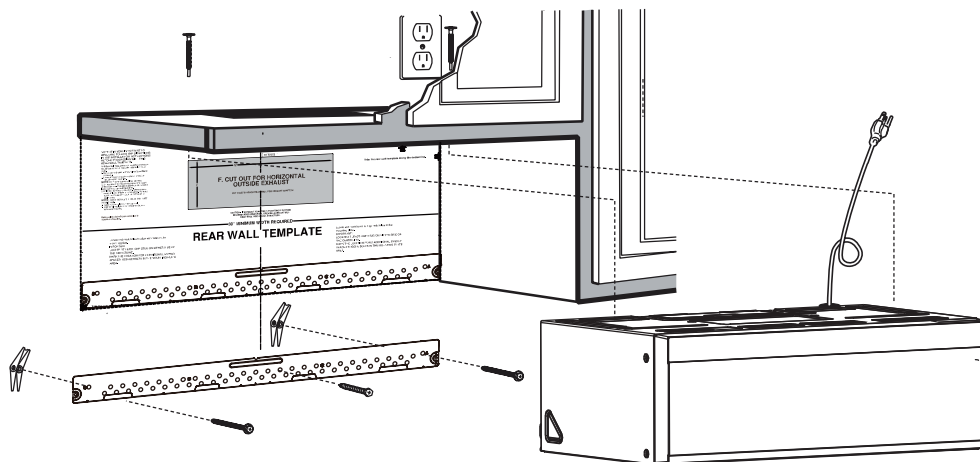
NOTE:

Read the pages 31-34 only if you plan to vent your exhaust to the outside. If you plan to recirculate the air back into the room, proceed to page 24-26.

A. RECIRCULATING (Non-Vented Ductless)

INSTALLATION OVERVIEW

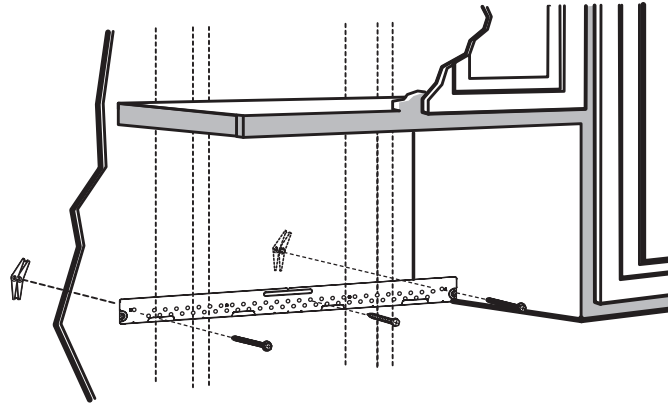
- A1 Attach Mounting Plate to Wall
- A2 Prepare Top Cabinet
- A3 Check Blower Plate
- A4 Mount the Microwave Oven
- A5 Install or change Charcoal Filter



IMPORTANT NOTES:

1. Make sure the screws for the blower motor and blower plate are securely tightened when they are reinstalled. This will help to prevent excessive vibration.
2. Make sure the motor wiring has been properly routed and secured, and that the wires are not pinched.

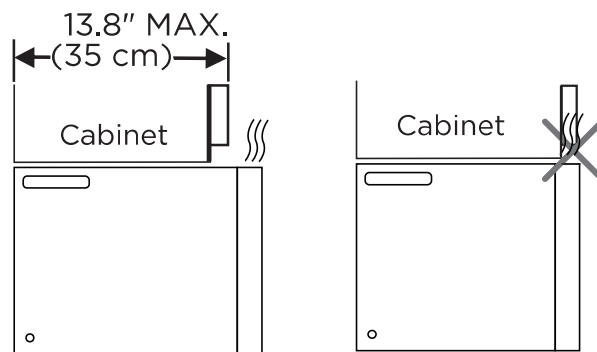
A1. ATTACH THE MOUNTING PLATE TO THE WALL



Attach the plate to the wall using toggle bolts. At least one wood screw must be used to attach the plate to a wall stud.

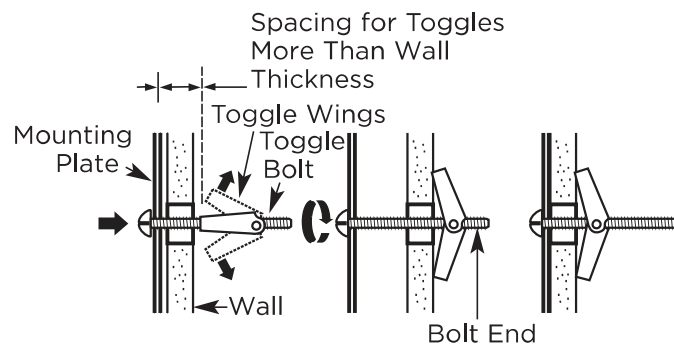
NOTE:

If the cabinet depth including the cabinet doors is more than 13" then the unit must be spaced out from wall using adequate materials supporting 150 lbs to allow proper top vent air exhaust/intake.



1. Remove the toggle wings from the bolts.
2. Insert the bolts into the mounting plate through the holes designated to go into drywall and reattach the toggle wings to 3/4" (19 mm) onto each bolt.

To use toggle bolts:



3. Place the mounting plate against the wall and insert the toggle wings into the holes in the wall to mount the plate.

NOTE:

Before tightening toggle bolts and wood screw, make sure the bottom of the mounting plate touch the bottom of the cabinet when pushed flush against the wall and that the plate is properly centered under the cabinet.

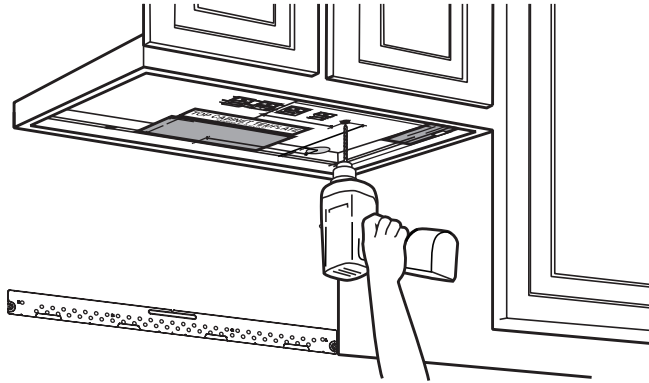
CAUTION:

Be careful to avoid pinching fingers between the back of the mounting plate and the wall.

4. Tighten all bolts. Pull the plate away from the wall to help tighten the bolts.

A2. USE TOP CABINET TEMPLATE FOR PREPARATION OF TOP CABINET

You need to drill holes for the top support screws and a hole large enough for the power cord to fit through.



1. Read the instructions on the TOP CABINET TEMPLATE.
2. Tape it underneath the top cabinet.

NOTE:

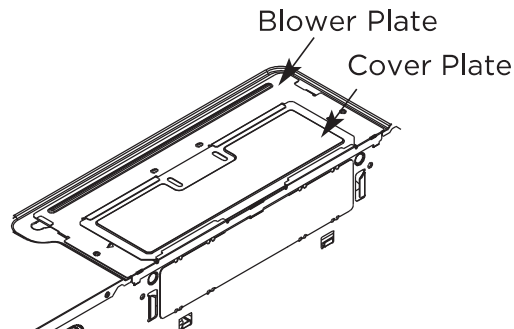
Adjust top template accordingly if the microwave is being spaced out from the wall due to cabinet depth (including cabinet doors) of more than 13".

Drill the holes, following the instructions on the TOP CABINET TEMPLATE.

CAUTION:

Wear safety goggles when drilling holes in the cabinet bottom.

A3. CHECK BLOWER PLATE



1. Place the microwave in its upright position, with the top of the unit facing up.
2. Check to see that the blower plate and cover plate are correctly installed on the unit.

A4. MOUNT THE MICROWAVE OVEN



FOR EASIER INSTALLATION AND PERSONAL SAFETY, WE RECOMMEND THAT TWO PEOPLE INSTALL THIS MICROWAVE OVEN.

IMPORTANT: Do not grip or use the handle or heat shield during installation. Do not remove the cardboard spacers between the heat shield and door.

NOTE:

If your cabinet is metal, use the nylon grommet around the power cord hole to prevent cutting of the cord.

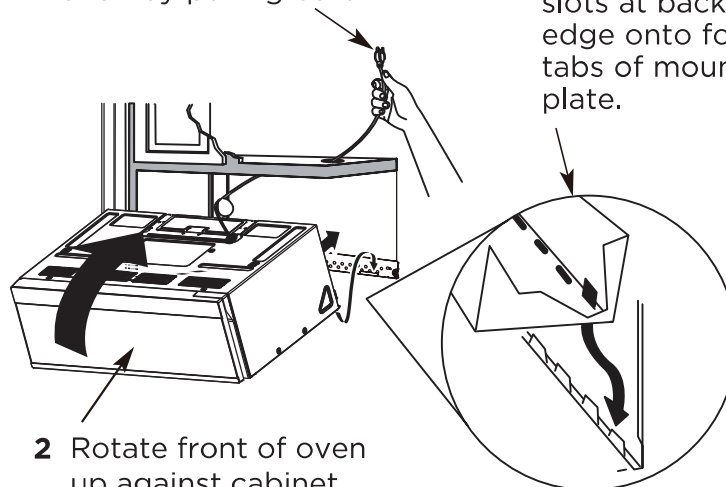
NOTE:

We recommend using filler blocks if the cabinet front hangs below the cabinet bottom shelf.

IMPORTANT: If filler blocks are not used, case damage may occur from overtightening screws.

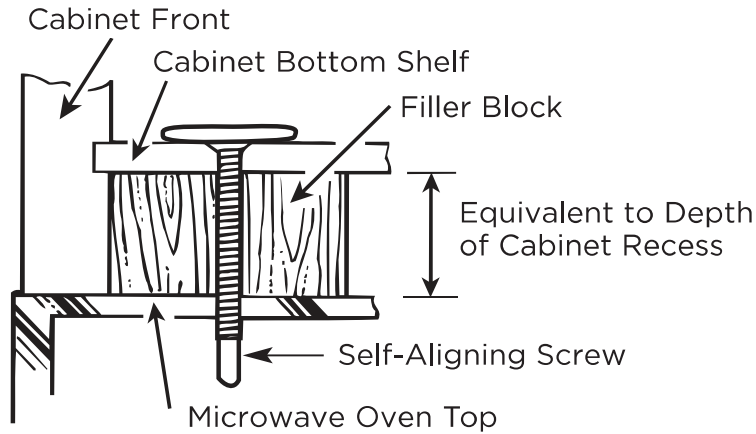
NOTE: When mounting the microwave oven, thread power cord through hole in bottom of top cabinet. Keep it tight throughout Steps 1-3. Do not pinch cord or lift oven by pulling cord.

1 Lift microwave, tilt it forward, and hook slots at back bottom edge onto four lower tabs of mounting plate.

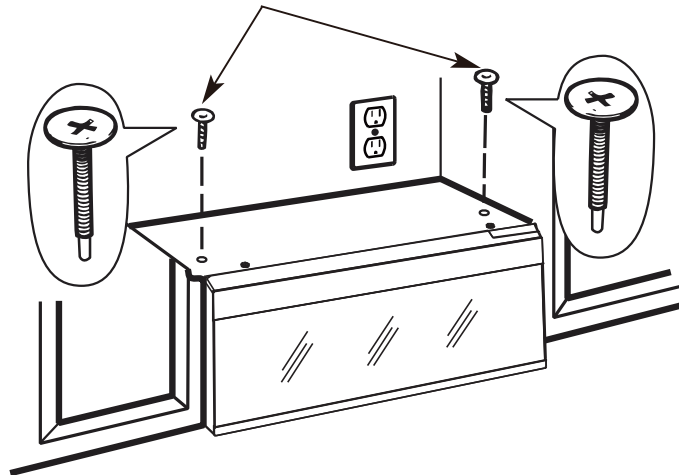


2 Rotate front of oven up against cabinet bottom.

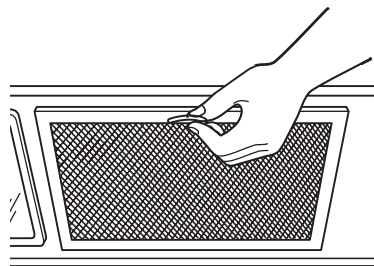
3. Insert a self-aligning screw through top center cabinet hole. Temporarily secure the oven by turning the screw at least two full turns after the threads have engaged. (It will be completely tightened later.) Be sure to keep power cord tight. Be careful not to pinch the cord, especially when mounting flush to bottom of cabinet.



4. Attach the microwave oven to the top cabinet.
5. Insert 2 self-aligning screws through outer top cabinet holes. Turn two full turns on each screw.



6. Tighten the outer two screws to the top of the microwave oven. (While tightening screws, hold the microwave oven in place against the wall and the top cabinet.)



7. Install grease filters. See the Use Manual packed with the microwave.

A5. INSTALLING OR CHANGE THE CHARCOAL FILTER (Some Models)

NOTE:

The charcoal filter is factory installed in some models. Refer to the Use and Care to see if yours is factory installed and for replacement information.

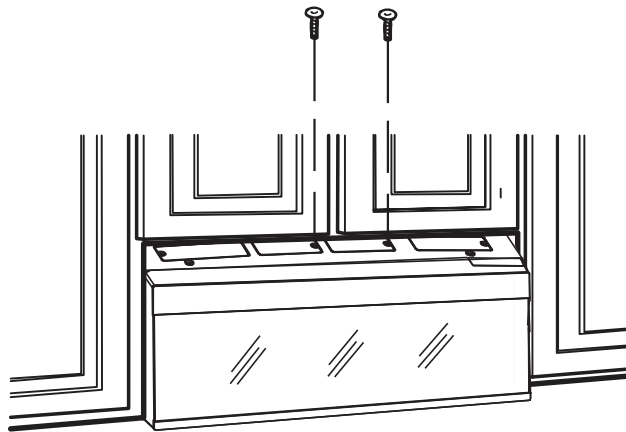
For models without the recirculation filter access door, follow these steps to replace or install a charcoal filter.

A 5.1

Unplug microwave oven or disconnect power.

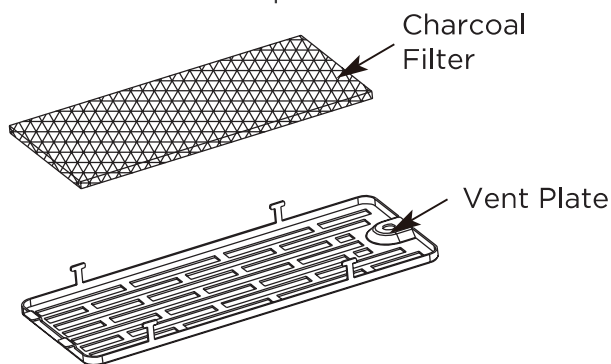
A 5.2

Remove the two vent plate screws located on top of the microwave using a #1 Phillips screwdriver.



A 5.3

Change the charcoal filter from the vent plate.



A 5.4

Replace the vent plate, reinstall the two vent plate screws located on top of microwave using a #1 Phillips screwdriver.

A 5.5

Close the microwave door. Plug in microwave oven or reconnect power.

Installation Instructions For External Exhaust Ducting

NOTE:

If you need to install ducts, note that the total duct length of 3¼" x 10" (8.2 x 25.4 cm) rectangular or 5" (12.7 cm) diameter/ 6" (15.2 cm) diameter round duct **should not exceed 140 equivalent feet (42.7 m).**

Outside ventilation requires an EXTERNAL EXHAUST DUCT. Read the following carefully.

NOTE:

It is important that venting be installed using the most direct route and with as few elbows as possible. This ensures clear venting of exhaust and helps prevent blockages.

Also, make sure dampers swing freely and nothing is blocking the ducts.

Exhaust connection:

The exhaust adaptor has been designed to mate with a standard 3¼" x 10" (8.2 x 25.4 cm) rectangular duct.

If a round duct is required, a rectangular-to-round transition adaptor must be used.

A5" (12.7cm)/ 6" (15.2cm) diameter duct is acceptable to use.

Maximum duct length:

For satisfactory air movement, the total duct length of 3¼" x 10" (8.2 x 25.4 cm) rectangular or 5" (12.7 cm) diameter/ 6" (15.2 cm) diameter round duct should not exceed 140 equivalent feet (42.7m).

Elbows, transitions, wall and roof caps, etc., present additional resistance to airflow and are equivalent to a section of straight duct which is longer than their actual physical size. When calculating the total duct length, add the equivalent lengths of all transitions and adaptors plus the length of all straight duct sections. The chart below shows you how to calculate total equivalent ductwork length using the approximate feet of equivalent length of some typical ducts.

DUCT PIECES		EQUIVALENT LENGTH	x	NUMBER USED	=	EQUIVALENT LENGTH
	Rectangular-to-Round Transition Adaptor*	5 Ft. (1.5 m)	x	()	=	Ft. or m
	Wall Cap	40 Ft. (12.2 m)	x	()	=	Ft. or m
	90° Elbow	10 Ft. (3 m)	x	()	=	Ft. or m
	45° Elbow	5 Ft. (1.5 m)	x	()	=	Ft. or m
	90° Elbow	25 Ft. (7.6 m)	x	()	=	Ft. or m

	45° Elbow	5 Ft. (1.5 m)	x	()	=	Ft. or m
	Roof Cap	24 Ft. (7.3 m)	x	()	=	Ft. or m
	Straight Duct 6" (15.2 cm) Round or 3 1/4" x 10" (8.2 x 25.4 cm Rectangular)	1 Ft. (0.3 m)	x	()	=	Ft. or m
			Total Ductwork		=	Ft. or m



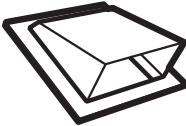


* IMPORTANT: If a rectangular-to-round transition adaptor is used, the bottom corners of the damper will have to be cut to fit, using the tin snips, in order to allow free movement of the damper.

Equivalent lengths of duct pieces are based on actual tests and reflect requirements for good venting performance with any vent hood.

External Exhaust Ducting

OUTSIDE TOP EXHAUST (EXAMPLE ONLY)

The following chart describes an example of one possible ductwork installation.




DUCT PIECES		EQUIVALENT LENGTH	x	NUMBER USED	=	EQUIVALENT LENGTH
	Roof Cap	24 Ft. (7.3 m)	x	(1)	=	24 Ft. (7.3 m)
	12 Ft. (3.6 m) Straight Duct (6"/15.2 cm Round)	12 Ft. (3.6 m)	x	(1)	=	12 Ft. (3.6 m)
	Rectangular-to-Round Transition Adaptor*	5 Ft. (1.5 m)	x	(1)	=	5 Ft. (1.5 m)
Equivalent lengths of duct pieces are based on actual tests and reflect requirements for good venting performance with any vent hood.			Total Length		=	41 Ft. (12.5 m)

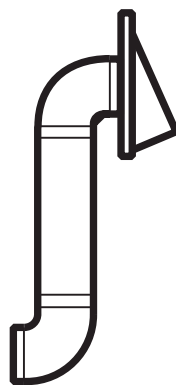


* IMPORTANT: If a rectangular-to-round transition adaptor is used, the bottom corners of the damper will have to be cut to fit, using the tin snips, in order to allow free movement of the damper.

OUTSIDE BACK EXHAUST (EXAMPLE ONLY)

The following chart describes an example of one possible ductwork installation.

DUCT PIECES	EQUIVALENT LENGTH	x	NUMBER USED	=	EQUIVALENT LENGTH
	Wall Cap	40 Ft. (12.2 m)	x	(1)	= 40 Ft. (12.2 m)
	3 Ft. Straight Duct (3 1/4" x 10"/8.2 x 25.4 cm Rectangular)	3 Ft. (0.9 m)	x	(1)	= 3 Ft. (0.9 m)
	90° Elbow	10 Ft. (3 m)	x	(2)	= 20 Ft. (3 m)
Equivalent lengths of duct pieces are based on actual tests and reflect requirements for good venting performance with any vent hood.			Total Length		= 63 Ft. (19.2 m)



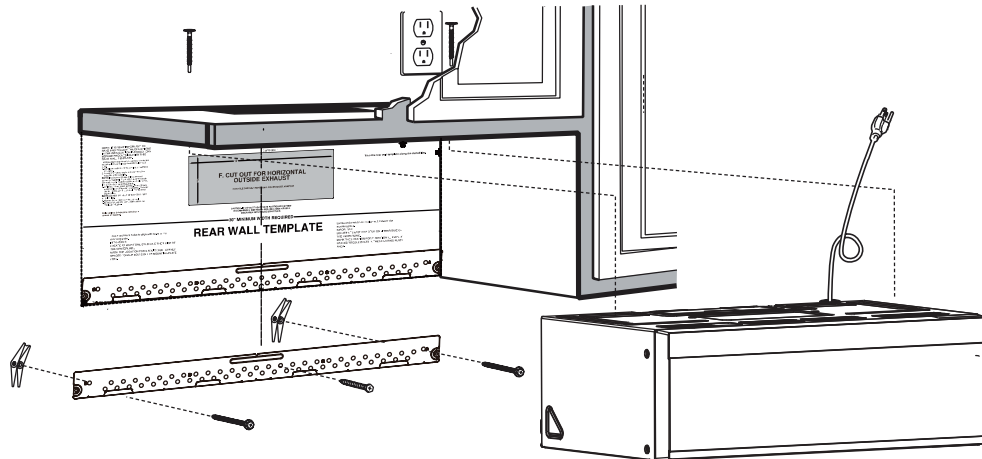
NOTE:

For back exhaust, care should be taken to align exhaust with space between studs, or wall should be prepared at the time it is constructed by leaving enough space between the wall studs to accommodate exhaust.

B. OUTSIDE BACK EXHAUST (Horizontal Duct)

INSTALLATION OVERVIEW

- B1. Prepare Rear Wall
- B2. Remove Blower Plate
- B3. Attach Mounting Plate to Wall
- B4. Prepare Top Cabinet
- B5. Adjust Blower
- B6. Mount the Microwave Oven

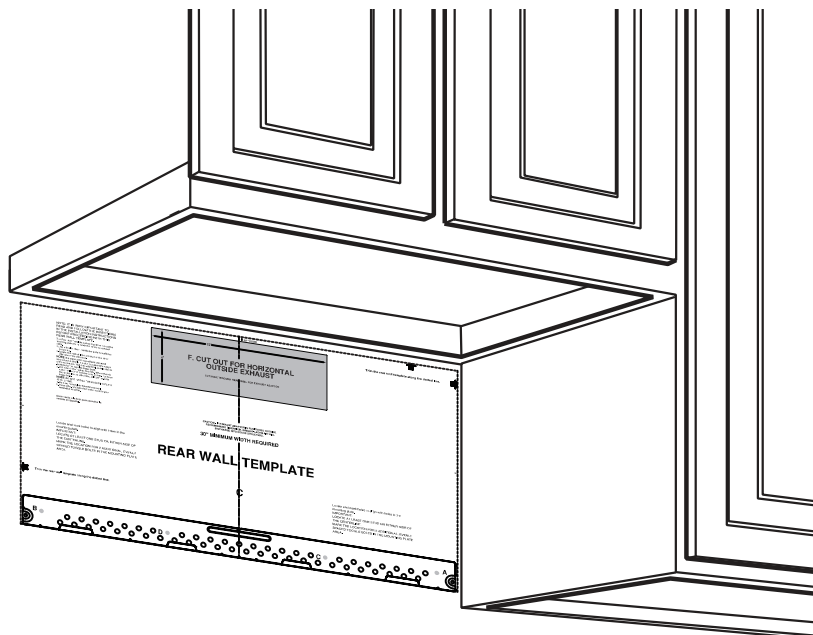


IMPORTANT NOTES:

1. Make sure the screws for the blower motor and blower plate are securely tightened when they are reinstalled. This will help to prevent excessive vibration.
2. Make sure the motor wiring has been properly routed and secured, and that the wires are not pinched.

B1. PREPARING THE REAR WALL FOR OUTSIDE BACK EXHAUST

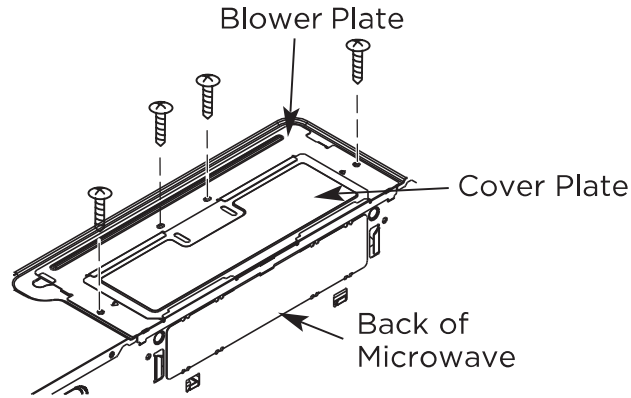
You need to cut an opening in the rear wall for outside exhaust.



1. Read the instructions on the REAR WALL TEMPLATE.
2. Tape it to the rear wall.
3. Cut the opening, following the instructions of the REAR WALL TEMPLATE.

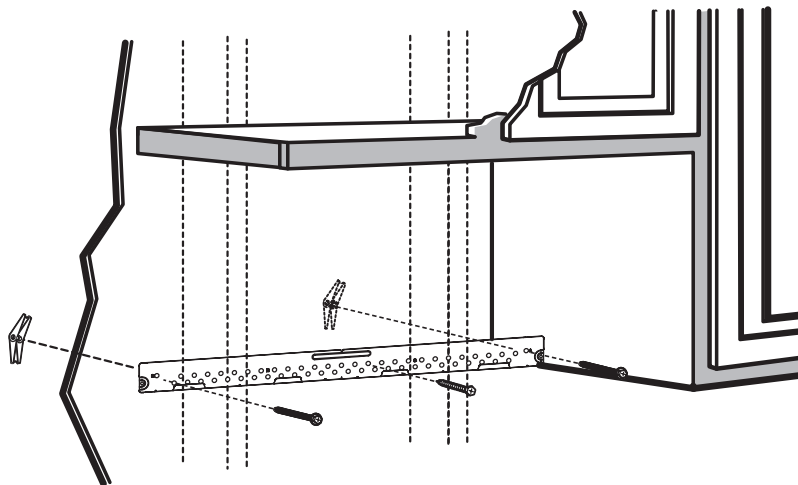
B2. REMOVE BLOWER PLATE

Remove and save the screws that hold the blower plate to the microwave. Lift off the blower plate.



- The cover plate is installed with the blower plate, not need to uninstall.

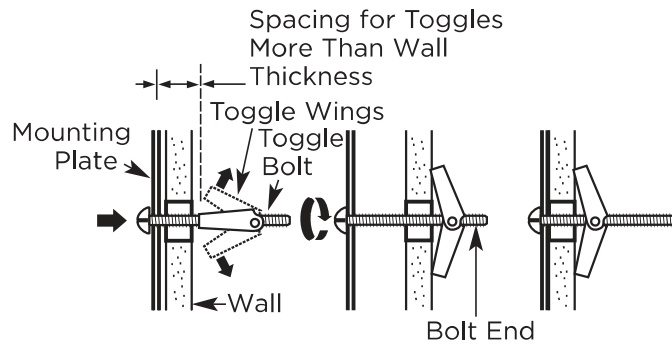
B3. ATTACH THE MOUNTING PLATE TO THE WALL



Attach the plate to the wall using toggle bolts. At least one wood screw must be used to attach the plate to a wall stud.

1. Remove the toggle wings from the bolts.
2. Insert the bolts into the mounting plate through the holes designated to go into drywall and reattach the toggle wings to 3/4" (19 mm) onto each bolt.

To use toggle bolts:



3. Place the mounting plate against the wall and insert the toggle wings into the holes in the wall to mount the plate.

NOTE:

Before tightening toggle bolts and wood screw, make sure the bottom of the mounting plate touch the bottom of the cabinet when pushed flush against the wall and that the plate is properly centered under the cabinet.

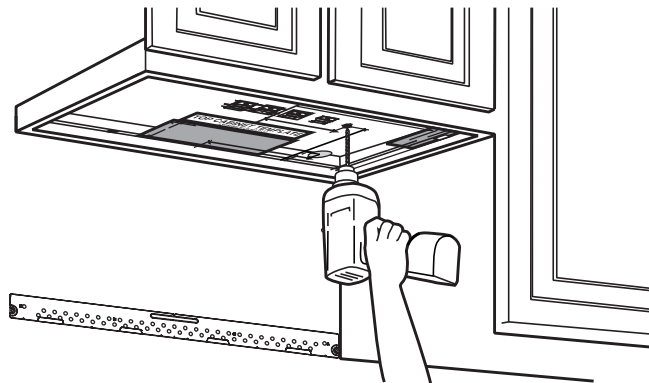
CAUTION:

Be careful to avoid pinching fingers between the back of the mounting plate and the wall.

4. Tighten all bolts. Pull the plate away from the wall to help tighten the bolts.

B4. USE TOP CABINET TEMPLATE FOR PREPARATION OF TOP CABINET

You need to drill holes for the top support screws and a hole large enough for the power cord to fit through.



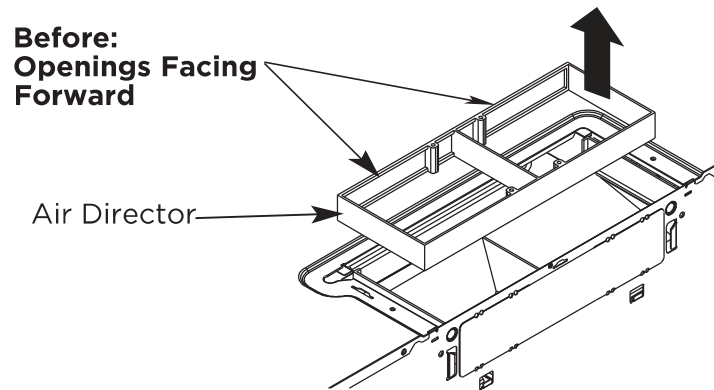
1. Read the instructions on the TOP CABINET TEMPLATE.
2. Tape it underneath the top cabinet.
3. Drill the holes, following the instructions on the TOP CABINET TEMPLATE.

CAUTION:

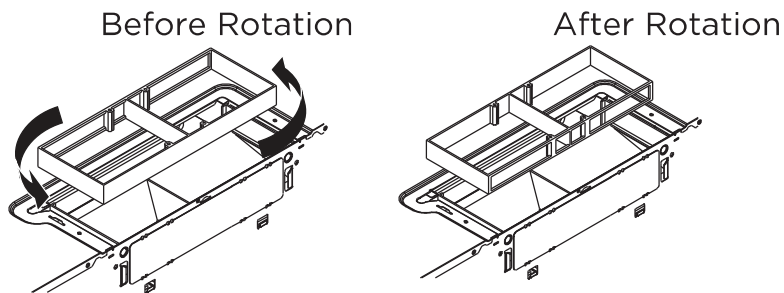
Wear safety goggles when drilling holes in the cabinet bottom

B5. ADAPTING MICROWAVE AIR DIRECTOR FOR OUTSIDE BACK EXHAUST

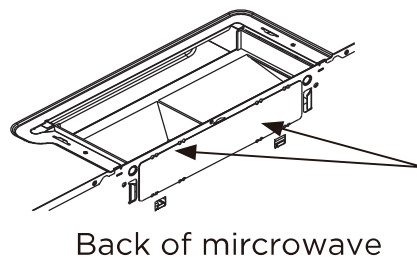
1. Carefully pull out the air director.



2. Rotate the air director counterclockwise 180°



3. Remove the knockout plate in the back of the unit with snips. (For some models)



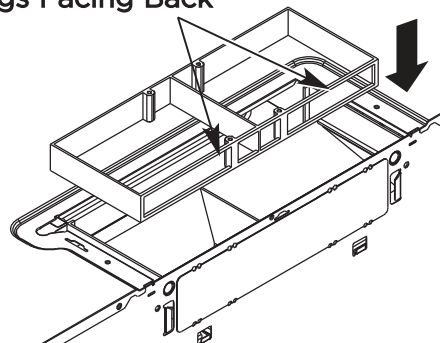
Back of microwave

Knockout Plate: Snip all 12 webs on the knockout panel and remove the metal knockout for rear airflow.

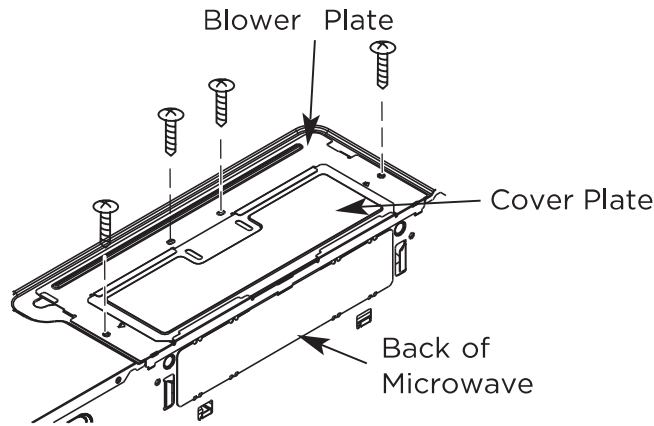
Please take care to remove any sharp edges created from removing the knockout plate.

4. Place the air director back into the opening.

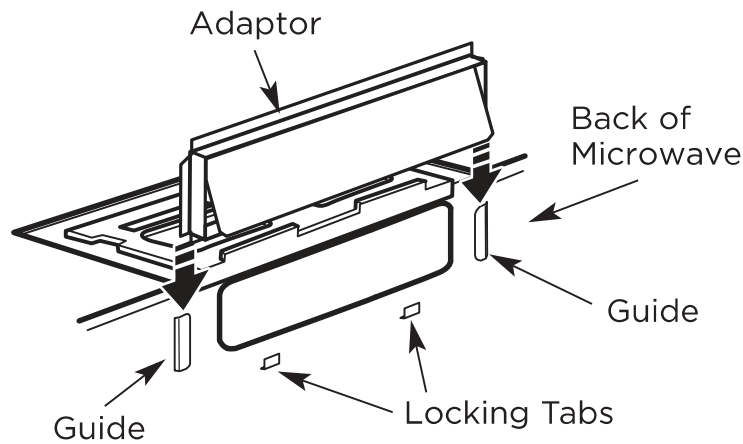
**AFTER: Air Director
Openings Facing Back**



5. Secure the blower plate to the microwave with the original screws.



6. Attach the exhaust adaptor to the rear of the oven by sliding it into the guides at the top center of the back of the oven.



Push in securely until it is in the lower locking tabs. Take care to assure that the damper hinge is installed so that it is at the top and that the damper swings freely.

B6. MOUNT THE MICROWAVE OVEN



FOR EASIER INSTALLATION AND PERSONAL SAFETY, WE RECOMMEND THAT TWO PEOPLE INSTALL THIS MICROWAVE OVEN.

IMPORTANT: Do not grip or use the handle or heat shield during installation. Do not remove the cardboard spacers between the heat shield and door.

NOTE:

If your cabinet is metal, use the nylon grommet around the power cord hole to prevent cutting of the cord.

NOTE:

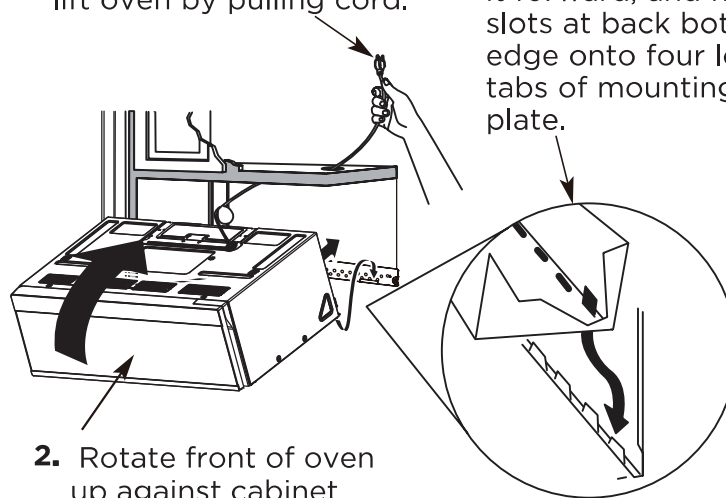
We recommend using filler blocks if the cabinet front hangs below the cabinet bottom shelf.

IMPORTANT: If filler blocks are not used, case damage may occur from overtightening screws.

NOTE: When mounting the microwave oven, thread power cord through hole in bottom of top cabinet. Keep it tight throughout Steps

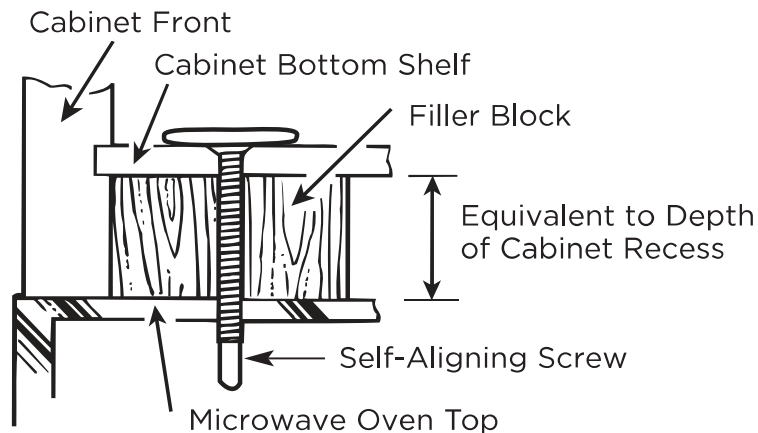
1-3. Do not pinch cord or lift oven by pulling cord.

1. Lift microwave, tilt it forward, and hook slots at back bottom edge onto four lower tabs of mounting plate.



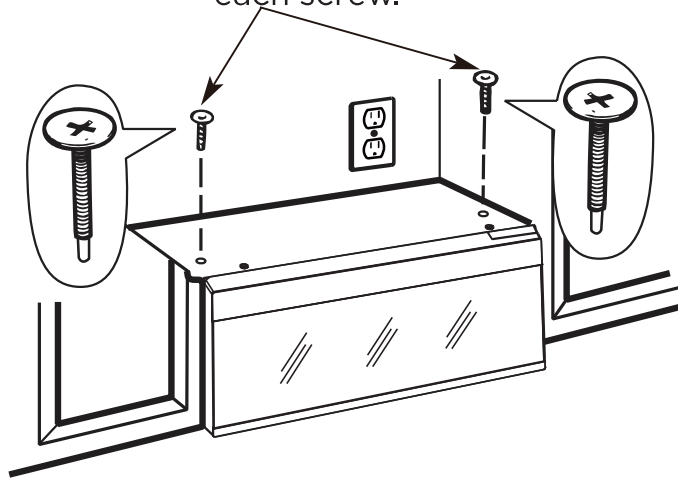
2. Rotate front of oven up against cabinet bottom.

3. Insert a self-aligning screw through top center cabinet hole. Temporarily secure the oven by turning the screw at least two full turns after the threads have engaged. (It will be completely tightened later.) Be sure to keep power cord tight. Be careful not to pinch the cord, especially when mounting flush to bottom of cabinet.

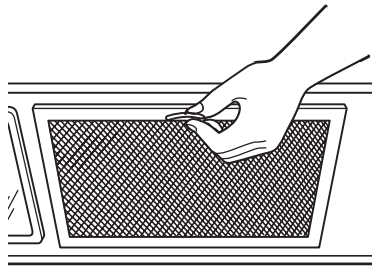


4. Attach the microwave oven to the top cabinet.

5. Insert 2 self-aligning screws through outer top cabinet holes. Turn two full turns on each screw.



6. Tighten the outer two screws to the top of the microwave oven. (While tightening screws, hold the microwave oven in place against the wall and the top cabinet.)



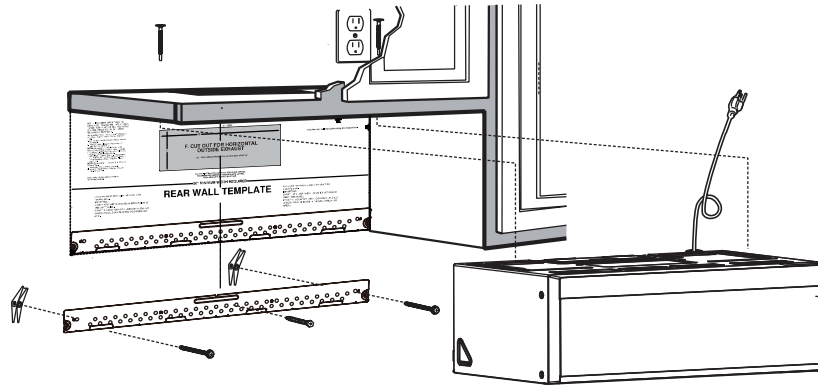
7. Install grease filters. See the User manual packed with the microwave.

IMPORTANT: Remove the cardboard spacers between heat shield and door.

C. OUTSIDE TOP EXHAUST (Vertical Duct)

INSTALLATION OVERVIEW

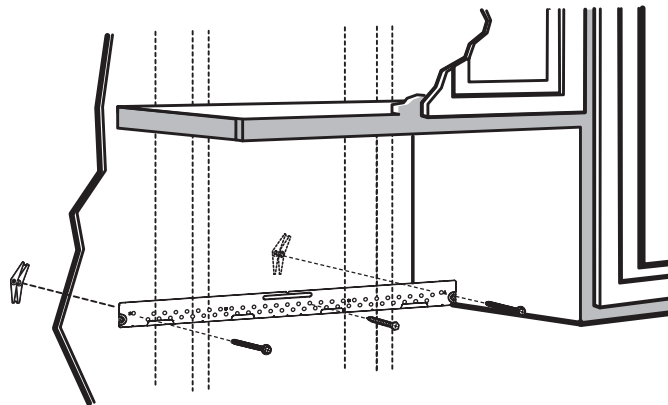
- C1. Attach Mounting Plate to Wall
- C2. Prepare Top Cabinet
- C3. Adapting Microwave Blower for Outside Top Exhaust
- C4. Check Damper Operation
- C5. Mount Microwave Oven
- C6. Adjust Exhaust Adaptor
- C7. Connect Ductwork



IMPORTANT NOTES:

1. Make sure the screws for the blower motor and blower plate are securely tightened when they are reinstalled. This will help to prevent excessive vibration.
2. Make sure the motor wiring has been properly routed and secured, and that the wires are not pinched.

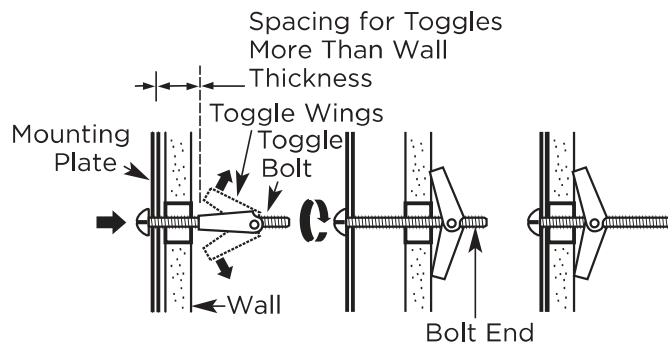
C1. ATTACH THE MOUNTING PLATE TO THE WALL



Attach the plate to the wall using toggle bolts. At least one wood screw must be used to attach the plate to a wall stud.

1. Remove the toggle wings from the bolts.
2. Insert the bolts into the mounting plate through the holes designated to go into drywall and reattach the toggle wings to 3/4" (19 mm) onto each bolt.

To use toggle bolts:



3. Place the mounting plate against the wall and insert the toggle wings into the holes in the wall to mount the plate.

NOTE:

Before tightening toggle bolts and wood screw, make sure the bottom of the mounting plate touch the bottom of the cabinet when pushed flush against the wall and that the plate is properly centered under the cabinet.



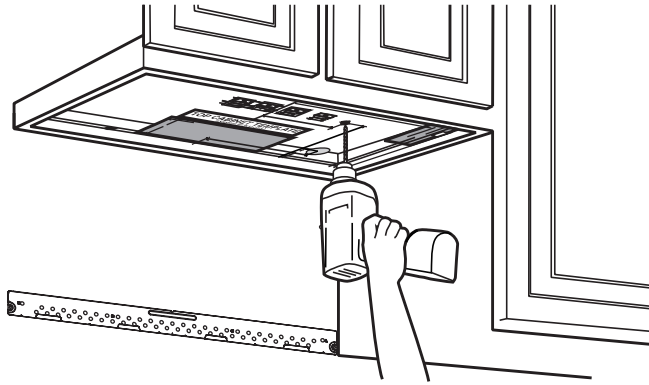
CAUTION:

Be careful to avoid pinching fingers between the back of the mounting plate and the wall.

4. Tighten all bolts. Pull the plate away from the wall to help tighten the bolts.

C2. USE TOP CABINET TEMPLATE FOR PREPARATION OF TOP CABINET

You need to drill holes for the top support screws, a hole large enough for the power cord to fit through, and a cutout large enough for the exhaust adaptor.



1. Read the instructions on the TOP CABINET TEMPLATE.
2. Tape it underneath the top cabinet.
3. Drill the holes, following the instructions on the TOP CABINET TEMPLATE.

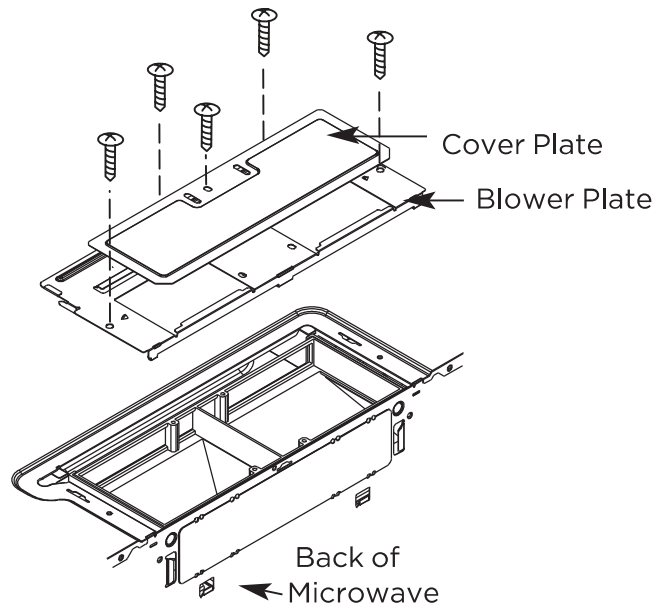


CAUTION:

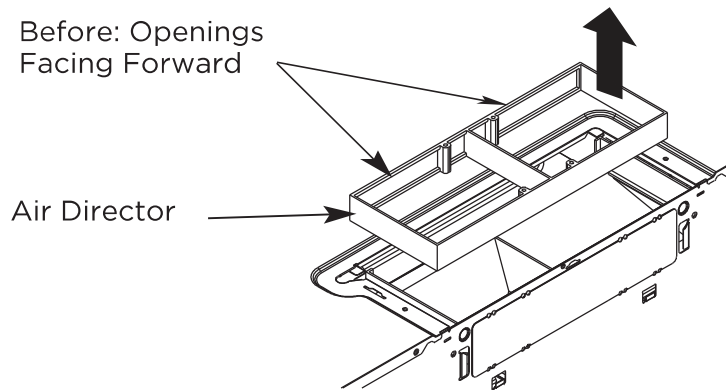
Wear safety goggles when drilling holes in the cabinet bottom.

C3. ADAPTING MICROWAVE AIR DIRECTOR FOR OUTSIDE TOP EXHAUST

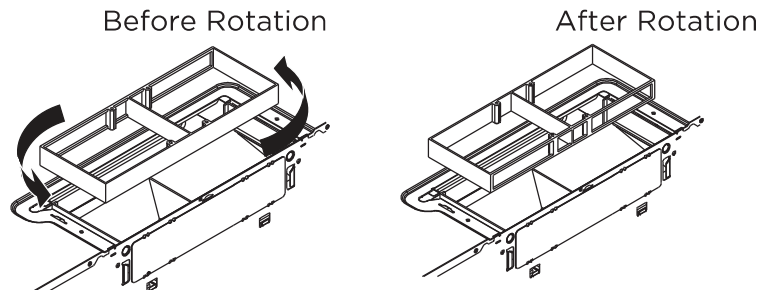
1. Remove the four screws that hold the blower plate to the microwave. Take off the cover plate after removing the center screw.



2. Carefully pull out the air director.

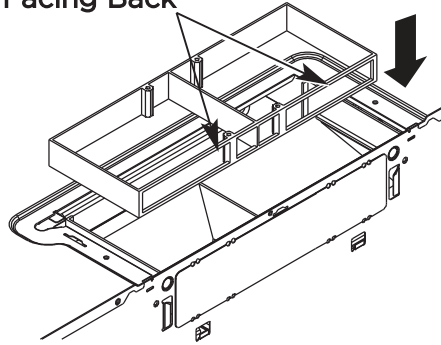


3. Rotate the air director counterclockwise 180°.

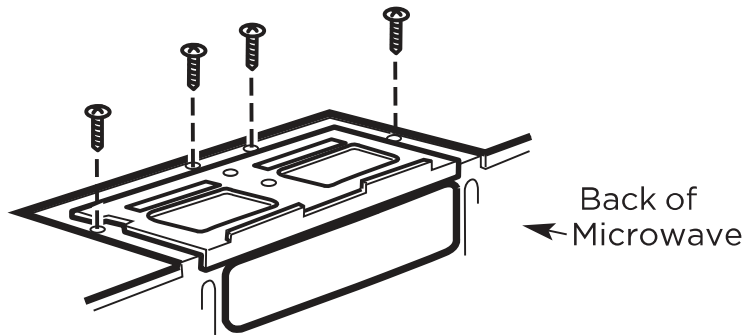


4. Place the air director back into the opening.

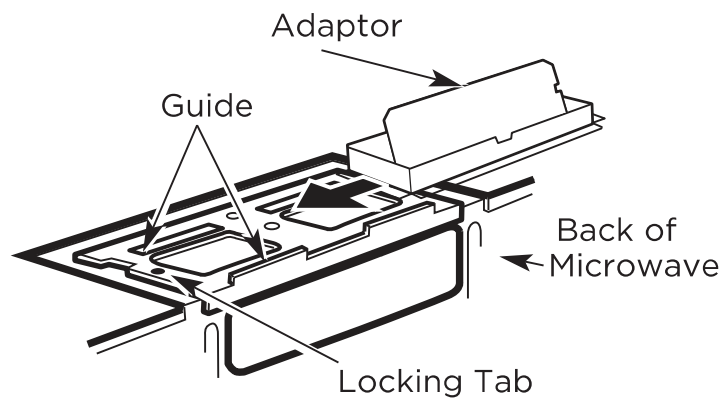
**AFTER: Air Director
Openings Facing Back**



5. Replace blower plate with the screws removed Step 1. Make sure the screws are tight.

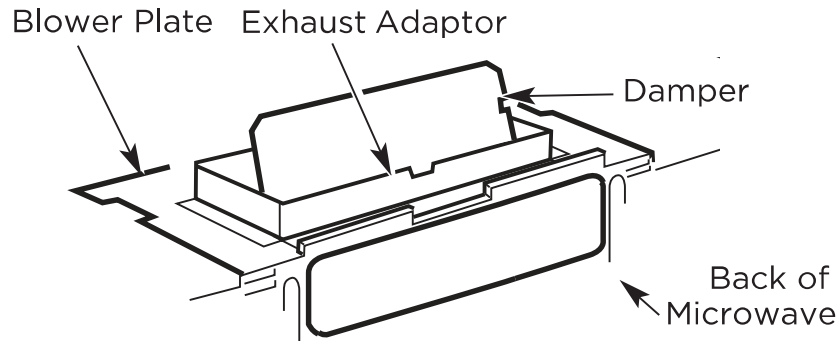


6. Attach the exhaust adaptor to the top of the blower plate by sliding it into the guides of the blower plate.



Push in securely until it is in the locking tabs. Take care to assure that the damper hinge is installed so that the damper swings freely.

C4. CHECK FOR PROPER DAMPER OPERATION



1. Make sure tape securing damper is removed and damper pivots easily before mounting microwave.
2. You will need to make adjustments to assure proper alignment with your house exhaust duct after the microwave is installed.

C5. MOUNT THE MICROWAVE OVEN



FOR EASIER INSTALLATION AND PERSONAL SAFETY, WE RECOMMEND THAT TWO PEOPLE INSTALL THIS MICROWAVE OVEN.

IMPORTANT: Do not grip or use the handle or heat shield during installation. Do not remove the cardboard spacers between the heat shield and door.

NOTE:

If your cabinet is metal, use the nylon grommet around the power cord hole to prevent cutting of the cord.

NOTE:

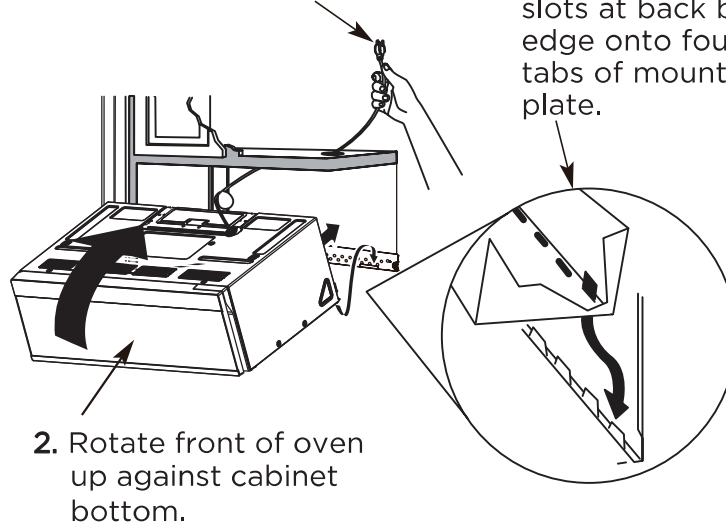
We recommend using filler blocks if the cabinet front hangs below the cabinet bottom shelf.

IMPORTANT: If filler blocks are not used, case damage may occur from overtightening screws.

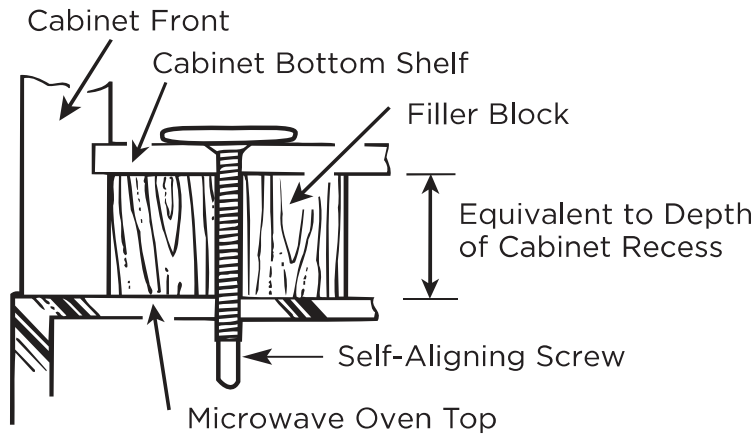
NOTE: When mounting the microwave oven, thread power cord through hole in bottom of top cabinet. Keep it tight throughout Steps

1-3. Do not pinch cord or lift oven by pulling cord.

1. Lift microwave, tilt it forward, and hook slots at back bottom edge onto four lower tabs of mounting plate.

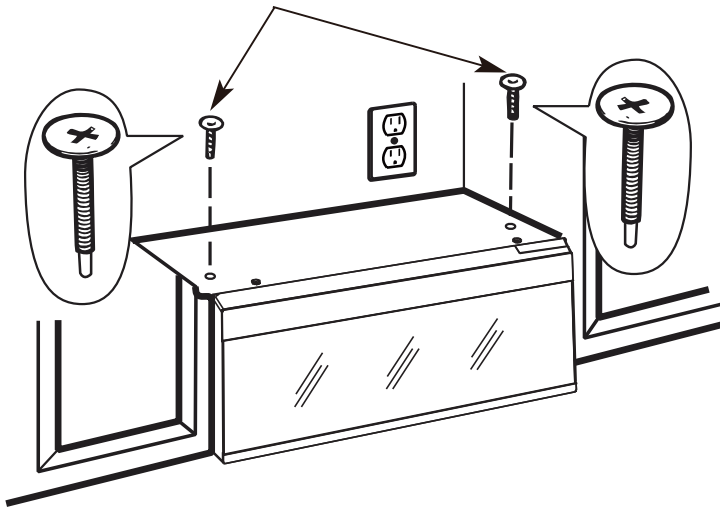


3. Insert a self-aligning screw through top center cabinet hole. Temporarily secure the oven by turning the screw at least two full turns after the threads have engaged. (It will be completely tightened later.) Be sure to keep power cord tight. Be careful not to pinch the cord, especially when mounting flush to bottom of cabinet.

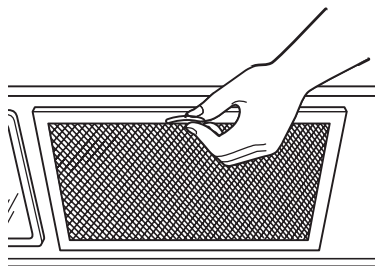


4. Attach the microwave oven to the top cabinet.

5. Insert 2 self-aligning screws through outer top cabinet holes. Turn two full turns on each screw.



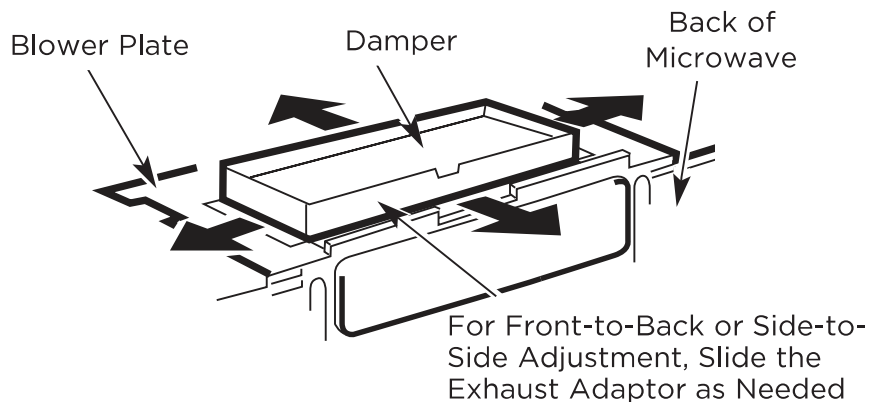
6. Tighten the outer two screws to the top of the microwave oven. (While tightening screws, hold the microwave oven in place against the wall and the top cabinet.)



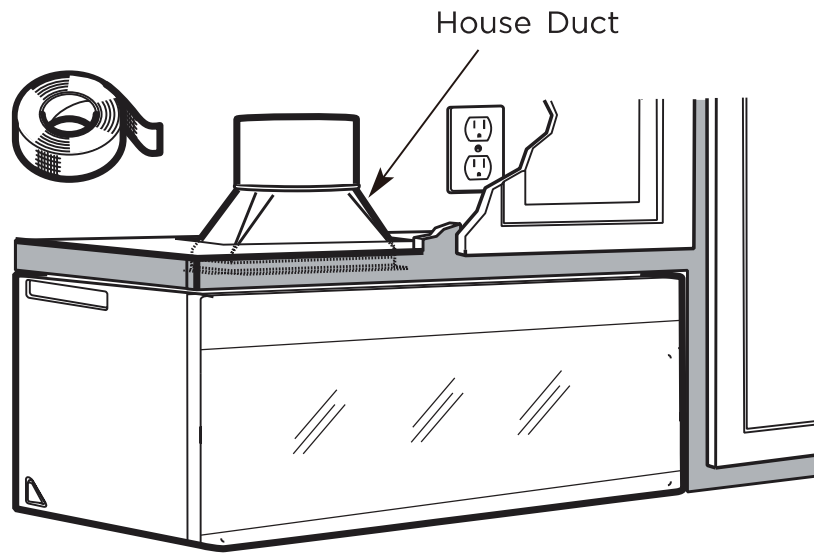
7. Install grease filters. See the Use Manual packed with the microwave.

C6. ADJUST THE EXHAUST ADAPTOR

Open the top cabinet and adjust the exhaust adaptor to connect to the house duct.



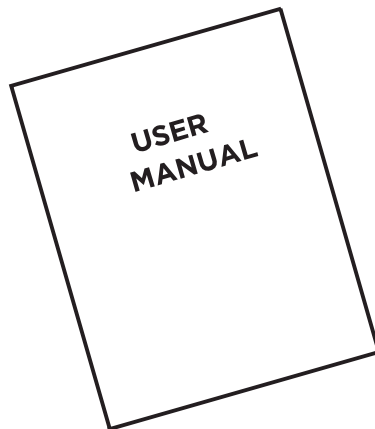
C7. CONNECTING DUCTWORK



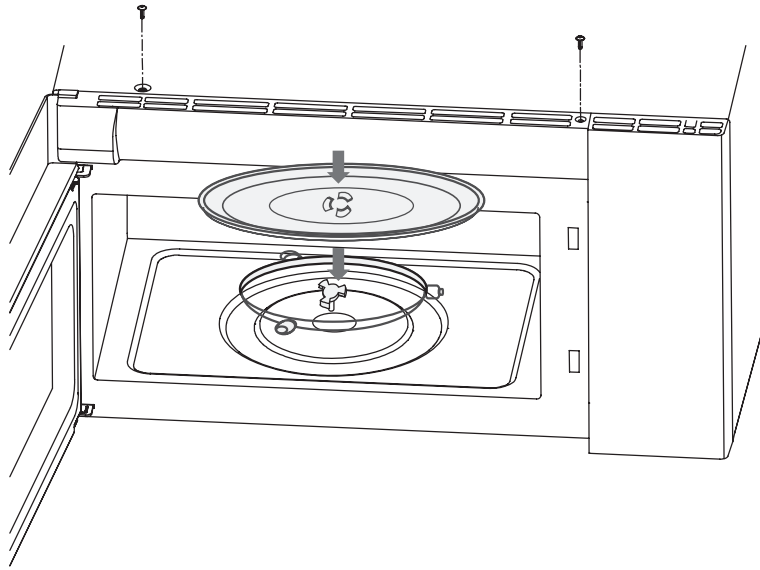
1. Extend the house duct down to connect to the exhaust adaptor.
2. Seal exhaust duct joints using furnace duct tape for high temperature applications.

Before You Use Your Microwave

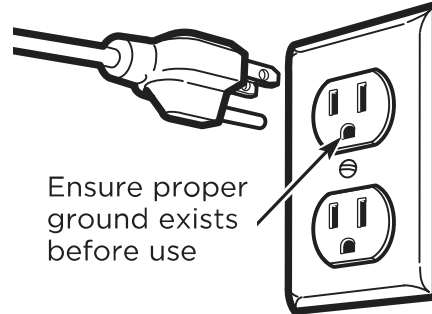
1. Make sure the microwave oven has been installed according to instructions.



2. Remove all packing material from the microwave oven.
3. Install turntable ring and glass tray in cavity.



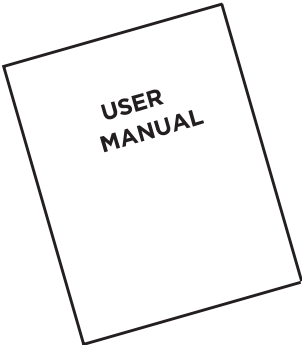
4. Plug power cord into a separate and dedicated 15- to 20-amp electrical outlet.



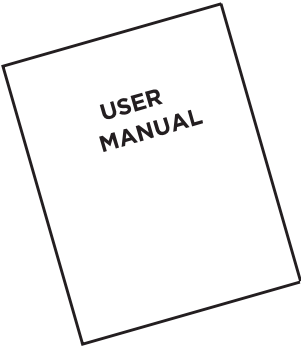
5. Replace house fuse or turn breaker back on.



6. Read the User Manual.



7. KEEP USER MANUAL FOR THE LOCAL INSPECTOR'S USE.



OPERATION INSTRUCTIONS

Setting The Clock

In standby mode.

- In initial power up state, if the clock has not been set, suppose you want to set the current time to 10:59.

Touch :	Display Shows:
1. TIMER/ CLOCK X2	ENTER TIME 12:00
2. ① ① ⑤ ⑨	10:59 <small>PRESS START</small>
3. START Enter/+30sec.	10:59

Setting Kitchen Timer

The maximum value of timer is 99:99.

In standby or cooking mode.

- Suppose you want to set for three minutes.

Touch :	Display Shows:
1. TIMER/ CLOCK X1	ENTER TIME TIMER
2. ③ ① ①	3:00 <small>PRESS START</small> TIMER
3. START Enter/+30sec.	3:00 TIMER Time counting down

NOTE

There is not any other program during kitchen timer.

Microwave

In standby, clock or timer mode.

- Suppose you want to cook for 2 minutes at 90% power

Touch :	Display Shows:
1. ② ① ①	<small>PRESS START</small> MICRO. 2:00
2. POWER LEVEL x1	<small>PRESS START</small> PL-HI
3. POWER LEVEL x1 or ⑨	<small>PRESS START</small> PL-90
4. START Enter/+30sec.	<small>MICRO.</small> 2:00 Time counting down

POWER CHART

PRESS	POWER LEVEL	DISPLAY
POWER LEVEL x 1	100%	PL-HI
POWER LEVEL x 2 or 9	90%	PL-90
POWER LEVEL x 3 or 8	80%	PL-80
POWER LEVEL x 4 or 7	70%	PL-70
POWER LEVEL x 5 or 6	60%	PL-60
POWER LEVEL x 6 or 5	50%	PL-50
POWER LEVEL x 7 or 4	40%	PL-40
POWER LEVEL x 8 or 3	30%	PL-30
POWER LEVEL x 9 or 2	20%	PL-20
POWER LEVEL x 10 or 1	10%	PL-10
POWER LEVEL x 11 or 0	0%	PL-0

Popcorn

In standby, clock mode.

- Suppose you want to cook 3.0 oz popcorn.

Touch :	Display Shows:
1. POPCORN X2	PRESS AGAIN FOR OPTIONS / PRESS START 3.0 oz
2. START Enter/+30sec.	Time counting down (2 seconds later)

Press POPCORN pad	Amount
X1	3.3 oz
X2	3.0 oz

Potato

In standby, clock or timer mode.

Touch :	Display Shows:
1. POTATO	PRESS START POTATO SENSOR
2. START Enter/+30sec.	POTATO SENSOR

Sensor Cook

The weight of these menus cannot be adjust.

In standby, clock or timer mode.

- Suppose you want to cook the frozen veggies.

Touch :	Display Shows:
1. SENSOR COOK X1	PRESS AGAIN FOR OPTIONS / PRESS START FROZEN SENSOR PRESS AGAIN FOR OPTIONS / PRESS START VEGGIES SENSOR

2. **START**
Enter/+30sec.

FROZEN
SENSOR

VEGGIES
SENSOR

Press SENSOR COOK	Food	Amount
X1	Frozen Veggies	6-16 oz
X2	Fresh Veggies	4-16 oz
X3	Chicken	7-18 oz
X4	Fish	7-18 oz
X5	Frozen Pizza	6-12 oz
X6	Frozen Lasagna	6-32 oz
X7	Oatmeal	2-4 eggs
X8	Omelet	40-80 g
X9	Soup	1-2 cups (250ml/cup)

Beverage

In standby or clock mode.

- Suppose you want to cook 2 cups of beverage.

Touch :	Display Shows:
1. BEVERAGE X2	<small>PRESS AGAIN FOR OPTIONS / PRESS START</small> 2 CUPS
2. START Enter/+30sec.	Time counting down (2 seconds later)

Press BEVERAGE pad	Amount
X1	1 cup
X2	2 cups
X3	3 cups

Sensor Reheat

The weight of these menus cannot be adjust;
 (Dinner Plate, Soup / Sauce, Casserole / Lasagna)
 In standby or clock mode.

- Suppose you want to cook the soup sauce .

Touch :	Display Shows:
1. SENSOR REHEAT X2	PRESS AGAIN FOR OPTIONS / PRESS START SOUP <small>SENSOR</small> PRESS AGAIN FOR OPTIONS / PRESS START SAUCE <small>SENSOR</small>
2. START Enter/+30sec.	SOUP <small>SENSOR</small> SAUCE <small>SENSOR</small>

Press SENSOR REHEAT	Food	Amount
X1	Dinner Plate	1-2 plates
X2	Soup / Sauce	1-2 cups
X3	Casserole / Lasagna	10.5 oz

Melt/Soften

In standby, clock or timer mode.

- Suppose you want to melt 2 sticks of Butter.

Touch :	Display Shows:
1. MELT/ SOFTEN X1	PRESS AGAIN FOR OPTIONS / PRESS START MELT PRESS AGAIN FOR OPTIONS / PRESS START BUTTER
2. START Enter/+30sec.	ENTER 1-2 STK

3. ②	PRESS START 2 STICK
4. START Enter/+30sec.	Time counting down (2 seconds later)

Press MELT/SOFTEN pad	Food	Amount
X1	Melt Butter	1/2 stick
X2	Melt Chocolate	2/4/8 oz
X3	Soften Ice Cream	1 Pint/1.5 Quart (3 Pint)
X4	Soften Cream Cheese	3/8 oz

Auto Cook

The weight of these menu can be set. Scrambled Eggs, Hot Cereal, Frozen Pizza

- Suppose you want to cook 2 scrambled eggs.

Touch :	Display Shows:
1. AUTO COOK X1	PRESS AGAIN FOR OPTIONS / PRESS START SCRAMBL PRESS AGAIN FOR OPTIONS / PRESS START EG EGGS
2. START Enter/+30sec.	1 - 6
3. ②	PRESS START 2
4. START Enter/+30sec.	Time counting down (2 seconds later)

The weight of these menu cannot be set.

Fudge Brownies, Garlic Shrimp, Stuffed Mushrooms, Asiago Red Potatoes, Roasted Vegetable Medley, Lemon Shrimp Risotto

- Suppose you want to cook the fudge brownies.

Touch :	Display Shows:
1. AUTO COOK X4	<p>PRESS AGAIN FOR OPTIONS / PRESS START</p> <p>FUDGE</p> <p>PRESS AGAIN FOR OPTIONS / PRESS START</p> <p>BROWNIE</p> <p>PRESS AGAIN FOR OPTIONS / PRESS START</p> <p>5</p>
2. START Enter/+30sec.	Time counting down (2 seconds later)

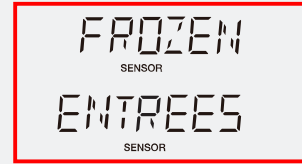
Press AUTO COOK	Food	Amount
X1	Scrambled Eggs	1-6 Eggs
X2	Hot Cereal	1-3 Servings
X3	Frozen Pizza	1(6Oz)-3
X4	Fudge Brownies	Per Recipe
X5	Garlic Shrimp	Per Recipe
X6	Stuffed Mushrooms	Per Recipe
X7	Asiago Red Potatoes	Per Recipe
X8	Roasted Vegetable Medley	Per Recipe
X9	Lemon Shrimp Risotto	Per Recipe

Frozen Entrees

In standby, clock or timer mode.

Touch :	Display Shows:
1. FROZEN ENTREES X1	<p>PRESS START</p> <p>FROZEN</p> <p>SENSOR</p> <p>PRESS START</p> <p>ENTREES</p> <p>SENSOR</p>

2. **START**
Enter/+30sec.



Weight Defrost

In standby, clock or timer mode.

- Suppose you want to set the defrost weight for 1.2 lb.

Touch :	Display Shows:
1. DEFROST X1	PRESS AGAIN FOR OPTIONS / DEFR. ENTER DEFR. WEIGHT lb
2. ① ②	PRESS START DEFR. 1.2 lb
3. START Enter/+30sec.	Time counting down (2 seconds later)

NOTE

The valid range of the weight is 0.1-6.0 lbs.

Time Defrost

In standby, clock or timer mode.

- Suppose you want to set the defrost time for 2 minutes.

Touch :	Display Shows:
1. DEFROST X2	PRESS AGAIN FOR OPTIONS / DEFR. ENTER DEFR. TIME
2. ② ① ①	PRESS START DEFR. 2:00
3. START Enter/+30sec.	DEFR. 2:00 Time counting down (2 seconds later)

Speedy Cooking

NOTE

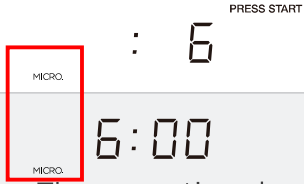
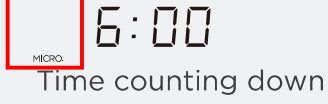
If the oven door didn't be opened and closed or the time of door closed was more than 5 minutes once the oven firstly plugged into outlet, "FOOD" will appear, so you can open then close the door firstly before operate the oven.

1-9 PAD

In standby or clock/timer mode, press number pads

"1-9" to start cooking with 1-9 minutes for 100% power level directly.

For example, cooking with 6 minutes for 100% power level.

Touch :	Display Shows:
1. ⑥	
2. After 2 seconds	

"START Enter/+30sec."

In standby or timer mode, press "START Enter/+30sec." to start cooking with 100% power level for 30 seconds, each press on it could increase the time by 30 seconds, the maximum value is 99:99.

Child Lock

To enter locked state

In standby mode

Touch :	Display Shows:
1. STOP Clear	




To cancel locked state

In locked mode

Touch :	Display Shows:
1. STOP Clear	


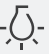

Vent Fan

The pad controls the 2-speed vent fan. If the vent fan is OFF, the first touch of the vent pad will turn the fan on HIGH, second touch LOW and third touch OFF.

Touch :	Display Shows:
 X1 FAN	HIGH
 X2 FAN	LOW
 X3 FAN	OFF

Light

The pad controls the 2-luminance light. If the light is OFF the first touch of the light pad will turn the light on HIGH, second touch LOW and third touch OFF.

Touch :	Display Shows:
 X1 LIGHT	HIGH
 X2 LIGHT	LOW
 X3 LIGHT	OFF

Turntable ON/OFF

In turntable-on mode (the default mode is "on").

Touch :	Display Shows:
1. TURNTABLE ON/OFF	OFF
2. TURNTABLE ON/OFF	ON

NOTE

It cannot be set in menu function and defrost.

Inquiring Function

If the clock or timer has been set, the corresponding time will display for 2 seconds by pressing "TIMER/CLOCK" in the cooking state.

USER PREF

Key	Setting
USER PREF x1	Volume Low/Med/High/Off
USER PREF x2	Weight lb/kg
USER PREF x3	Clock Display Off/On
USER PREF x4	Demo Mode

Volume Low/Med/High/Off

In standby mode.

(the mode will be switched directly each 3 seconds)

For example, set the volume off:

Touch :	Display Shows:
	<small>PRESS AGAIN FOR OPTIONS / PRESS START</small> VOLUME LOW
	<small>PRESS AGAIN FOR OPTIONS / PRESS START</small> VOLUME MED
	<small>PRESS AGAIN FOR OPTIONS / PRESS START</small> VOLUME HIGH
	<small>PRESS AGAIN FOR OPTIONS / PRESS START</small> VOLUME OFF
1. USER PREF X1	
2. START Enter/+30sec.	OFF

Weight (lbs / kg)

If the unit is "KG", switch to "Lb".

In standby mode:

Touch :	Display Shows:
1. USER PREF X2	PRESS AGAIN FOR OPTIONS / PRESS START Lb / KG
2. START Enter/+30sec.	Lb lb

NOTE

You can switch the unit to "KG" by operating step 1-2 again.

Clock Display Off/On

In "clock display on" mode, to set "clock display off".

Touch :	Display Shows:
1. USER PREF X3	PRESS AGAIN FOR OPTIONS / PRESS START CLOCK DISPLAY ON
2. START Enter/+30sec.	OFF

NOTE

You can set "clock display on" by operating step 1-2 again.

DEMO SETTING

In demo mode, the cooking function only can be set, it can't work practically.


In "demo off" mode, to set "demo on".

Touch :	Display Shows:
1. USER PREF X4	PRESS AGAIN FOR OPTIONS / PRESS START DEMO OFF
2. START Enter/+30sec.	ON

NOTE

You can set "clock display off" by operating step 1-2 again.


Connect The Network

Press and hold "  " for 3 seconds till a beep sounds, the display will show "AP" and wireless network icon will flash.

If connection is successful, oven will return to standby mode and the wireless network icon will keep on.

If connection is failed, the display will show "NO-N5" for 30 seconds and then the oven will return to standby mode.


Disconnect From The Network

Press and hold "  " for 8 seconds till a beep sounds, the display will flash "- -" for 5 seconds.

If the wireless connection is successful disconnect, the display will show "8888" for 3 seconds, and then return to standby mode.

If the wireless connection is failed disconnect, the display will show "FFFF" for 3 seconds, and then return to standby mode.

NOTE

1. The PCB supplies power to the wireless network module while initial power up.
2. Hold the "  " 1 second, the PCB will supply power to the wireless network module again if the wireless network module is on power off mode.
3. The PCB will stop supply power to the wireless network module after the wireless network disconnect from the network 2 seconds.

APP SETUP AND OPERATION

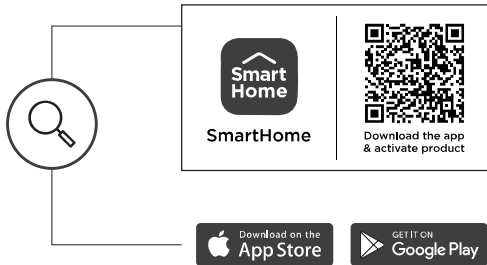
Quick Start Guide

CONNECT YOUR DEVICE TO YOUR MOBILE PHONE WITH SmartHome App

1

Download the SmartHome App

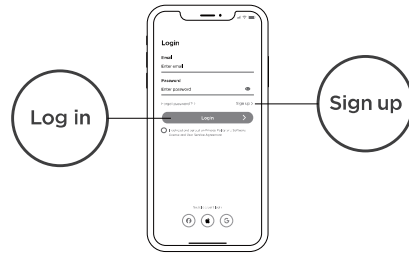
Scan QR code or find us on your App store



2

Register and log in

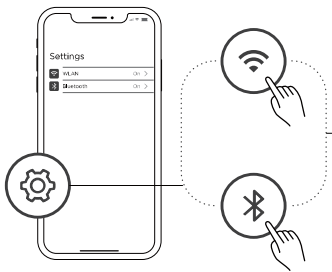
Log in for existing users or sign up for new users



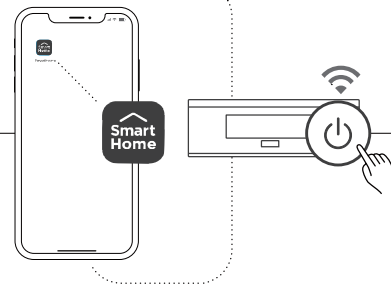
3

Connect your devices to SmartHome

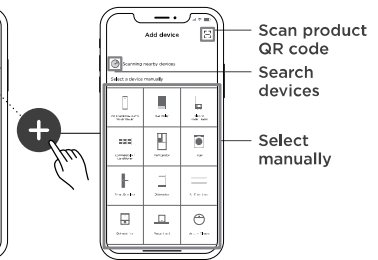
STEP1. Connect to wireless network and enable Bluetooth



STEP2. Open the SmartHome App. Power on selected device



STEP3. Add your device using one of the following methods:



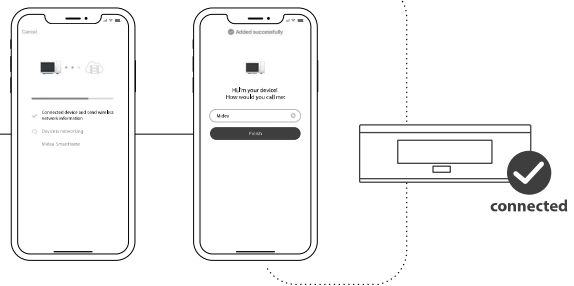
STEP4. Ensure device and App are under same wireless network.



STEP5. Press "Wi-Fi" button for 3 seconds on the panel. Following instruction to set up, it will connect automatically.



STEP6. Rename your device and try to remote control it.



Quick Tips


- Make sure your devices are powered on.
- Keep your mobile phone close to your device during connection.
- Connect your mobile phone to the wireless network at home.
- Enable the 2.4GHz frequency on your wireless network router. Contact the manufacturer if unsure whether the router supports 2.4GHz.
- The device is unable to connect to wireless network that requires authentication and also appears in public areas such as hotels and restaurants.
- It is recommended to use a wireless network name that only contains letters and numbers. If your wireless network name contains special characters, modify it in the router. Disable WLAN+ (Android) or WLAN Assistant (iOS) when connecting your devices to the network.
- To reconnect a device to the wireless network, click "+" on the App home screen and add the device again by the category and model according to the App prompts.

TROUBLE SHOOTING

Check your problem by using the chart below and try the solutions for each problem. If the microwave oven still does not work properly, contact the nearest authorized service center.

TROUBLE	POSSIBLE CAUSE	POSSIBLE REMEDY
Oven will not start	<ul style="list-style-type: none"> • Electrical cord for oven is not plugged in. • Door is open. • Wrong operation is set. 	<ul style="list-style-type: none"> • Plug into the outlet. • Close the door and try again. • Check instructions.
Arcing or sparking	<ul style="list-style-type: none"> • Materials to be avoided in microwave oven were used. • The oven is operated when empty. • Spilled food remains in the cavity. 	<ul style="list-style-type: none"> • Use microwave-safe cookware only. • Do not operate with oven empty. • Clean cavity with wet towel.
Unevenly cooked foods	<ul style="list-style-type: none"> • Materials to be avoided in microwave oven were used. • Food is not defrosted completely. • Cooking time, power level is not suitable. • Food is not turned or stirred. 	<ul style="list-style-type: none"> • Use microwave-safe cookware only. • Completely defrost food. • Use correct cooking time, power level. • Turn or stir food.
Overcooked foods	<ul style="list-style-type: none"> • Cooking time, power level is not suitable. 	<ul style="list-style-type: none"> • Use correct cooking time, power level.
Undercooked foods	<ul style="list-style-type: none"> • Materials to be avoided in microwave oven were used. • Food is not defrosted completely. • Oven ventilation ports are restricted. • Cooking time, power level is not suitable. 	<ul style="list-style-type: none"> • Use microwave-safe cookware only. • Completely defrost food. • Check to see that oven ventilation ports are not restricted. • Use correct cooking time, power level.
Improper defrosting	<ul style="list-style-type: none"> • Materials to be avoided in microwave oven were used. • Cooking time, power level is not suitable. • Food is not turned or stirred. 	<ul style="list-style-type: none"> • Use microwave-safe cookware only. • Use correct cooking time, power level. • Turn or stir food.

TRADEMARKS, COPYRIGHTS AND LEGAL STATEMENT

 Midea logo, word marks, trade name, trade dress and all versions thereof are valuable assets of Midea Group and/or its affiliates ("Midea"). to which Midea owns trademarks, copyrights and other intellectual property rights, and all goodwill derived from using any part of an Midea trademark. Use of Midea trademark for commercial purposes without the prior written consent of Midea may constitute trademark infringement or unfair competition in violation of relevant laws.

This manual is created by Midea and Midea reserves all copyrights thereof. No entity or individual may use, duplicate, modify, distribute in whole or in part this manual, or bundle or sell with other products without the prior written consent of Midea.

All the described functions and instructions were up to date at the time of printing this manual. However, the actual product may vary due to improved functions and designs.

DATA PROTECTION NOTICE

For the provision of the services agreed with the customer, we agree to comply without restriction with all stipulations of applicable data protection law, in line with agreed countries within which services to the customer will be delivered.

Generally, our data processing is to fulfil our obligation under contract with you and for product safety reasons, to safeguard your rights in connection with warranty and product registration questions. In some cases, but only if appropriate data protection is ensured, personal data might be transferred to recipients located outside of the European Economic Area.

Further information are provided on request. You can contact our Data Protection Officer via **MideaDPO@midea.com**. To exercise your rights such as right to object your personal data being processed for direct marketing purposes, please contact us via **MideaDPO@midea.com**. To find further information, please follow the QR Code.



make yourself at home



www.midea.com

© Midea 2022 all rights reserved

PN:16170000A99024