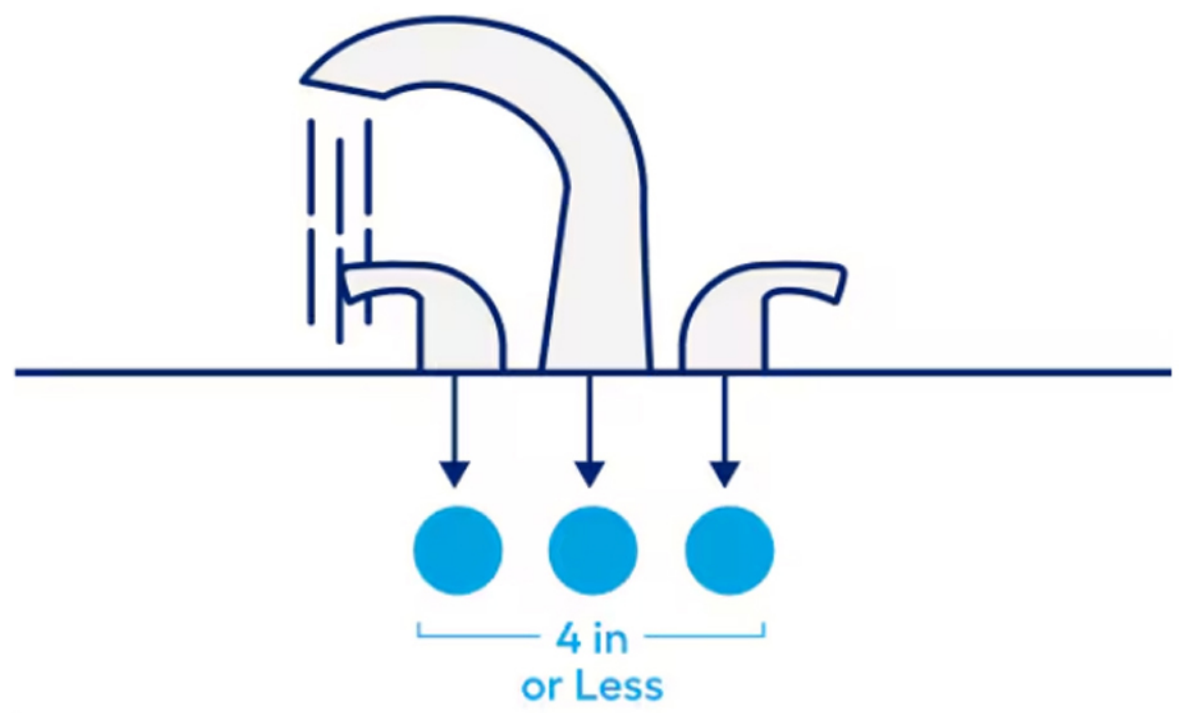
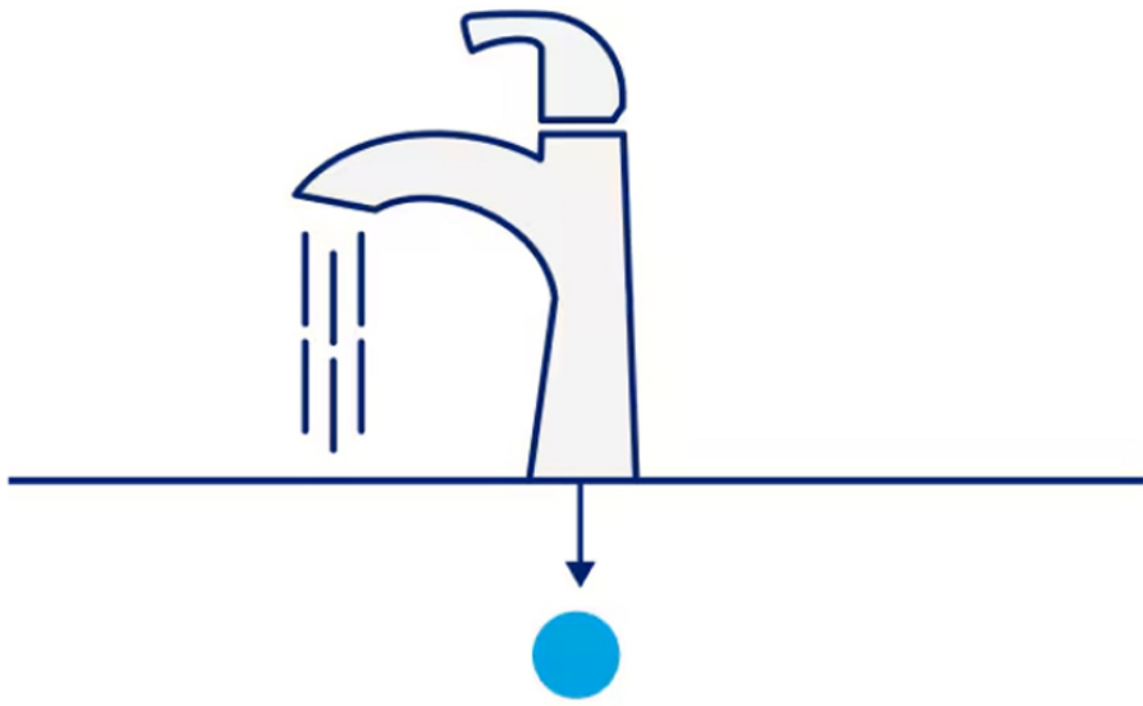


Choose the Right Bathroom Sink Faucet

Confirm the matching faucet size before order

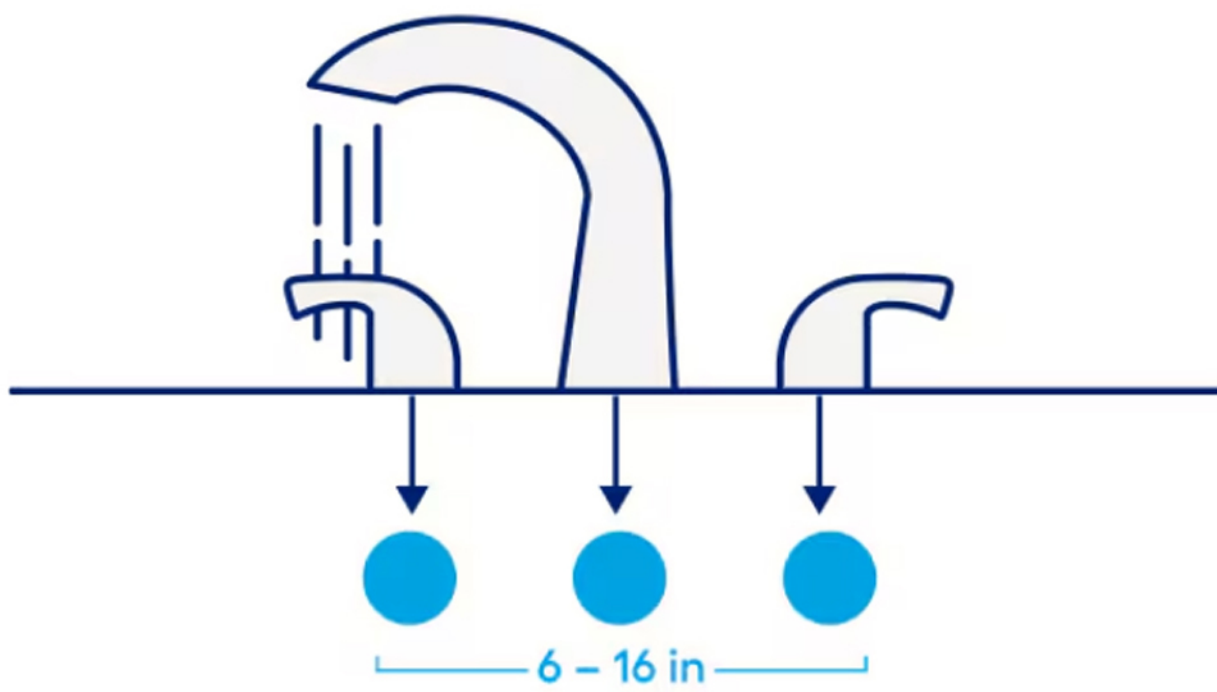


Single-Hole Sink Faucets

Single-handle design for sinks with at least one hole; deck plate is used if necessary to cover unused holes

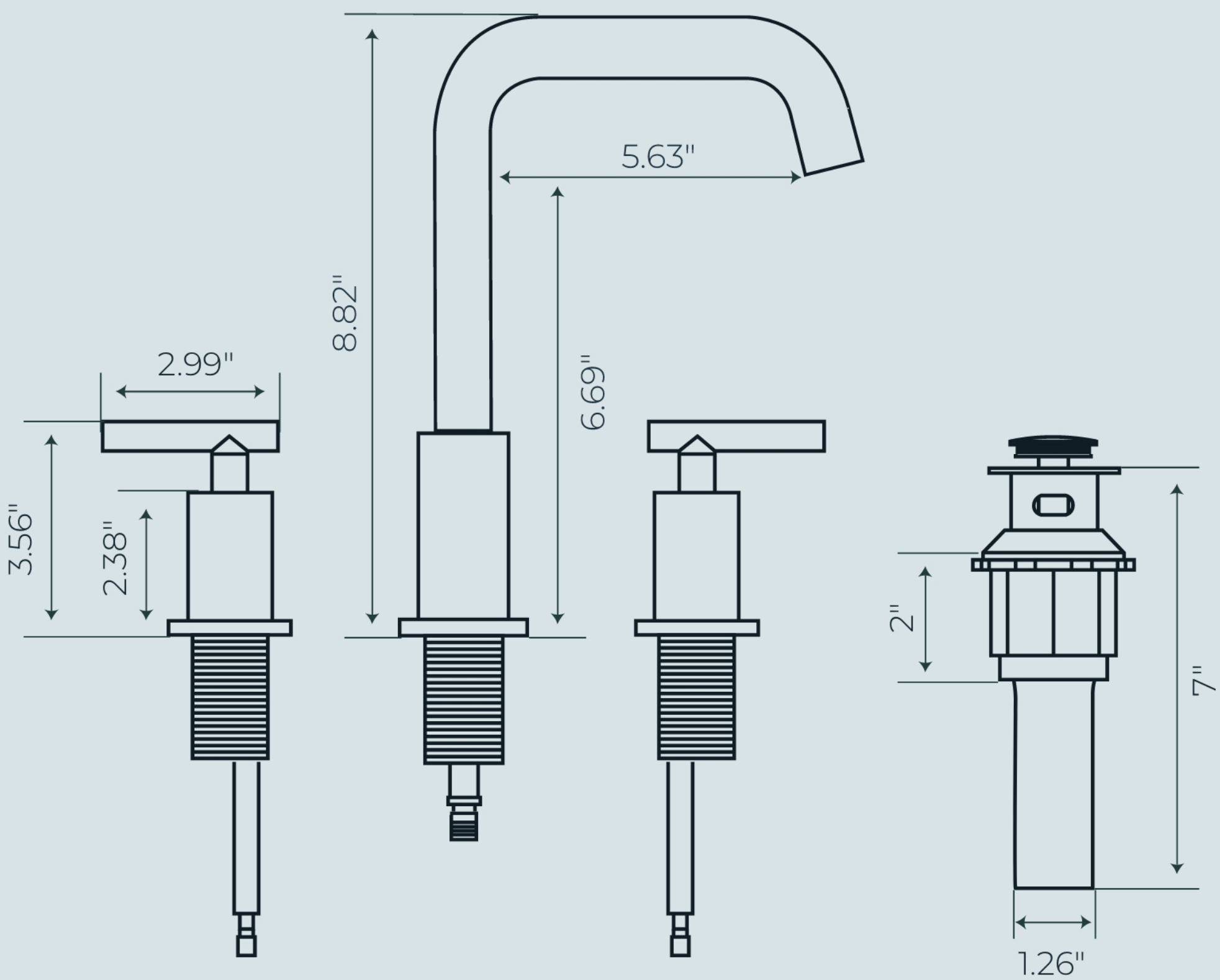
3-Hole Centerset Sink Faucets

Design with spout and handles mounted to a fixed base; used on sinks with 4-inch faucet centers

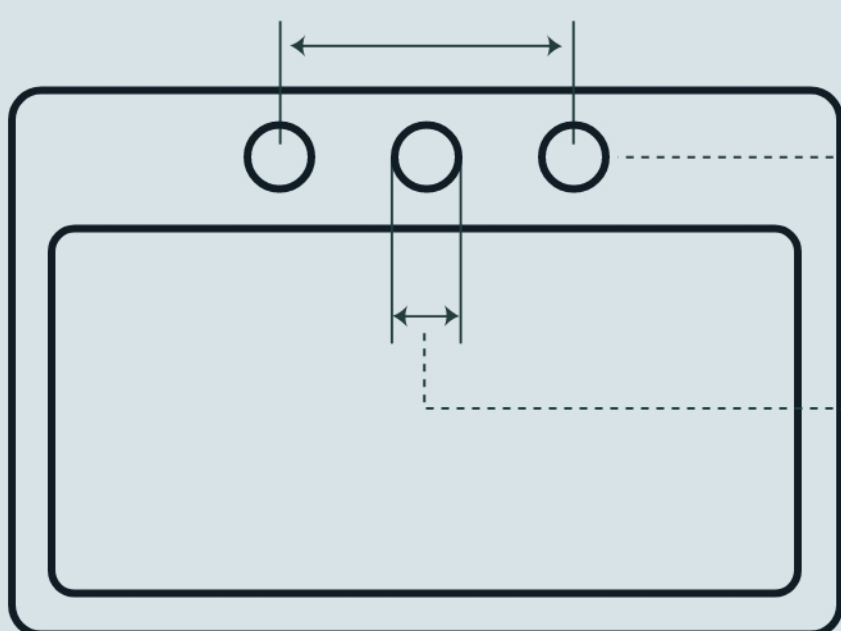


3-Hole Widespread Sink Faucets

3-piece spout and handles for sinks with 6- to 16-inch faucet centers



Recommend 6"-12" centerset width



Maximum Thickness
1.38"/35mm

Pre-drilled hole size requirement:
1.26"min - 1.38"max