








USER'S MANUAL

Retractable Awning OP70367



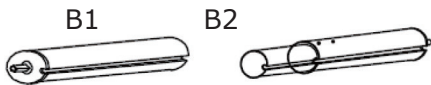
Before You Start

-  Please read all instructions carefully.
-  Retain instructions for future reference.
-  Separate and count all parts and hardware.
-  Read through each step carefully and follow the proper order.
-  We recommend that, where possible, all items are assembled near to the area in which they will be placed in use, to avoid moving the product unnecessarily once assembled.
-  Always place the product on a flat, steady and stable surface.
-  Keep all small parts and packaging materials for this product away from babies and children as they potentially pose a serious choking hazard.

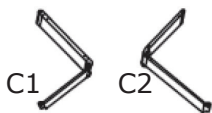
$\frac{A}{x1}$



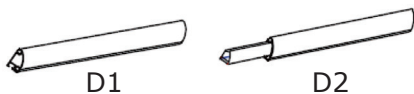
$\frac{B}{x1}$



$\frac{C}{x1}$



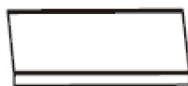
$\frac{D}{x1}$



$\frac{E}{x1}$



$\frac{F}{x1}$



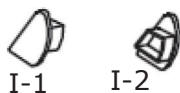
$\frac{G}{x1}$



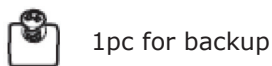
$\frac{H}{x3}$



$\frac{I}{x1}$



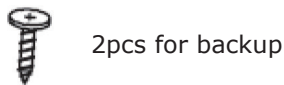
$\frac{J}{x5}$



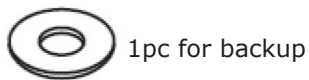
$\frac{K}{x2}$



$\frac{L}{x10}$



$\frac{M}{x3}$



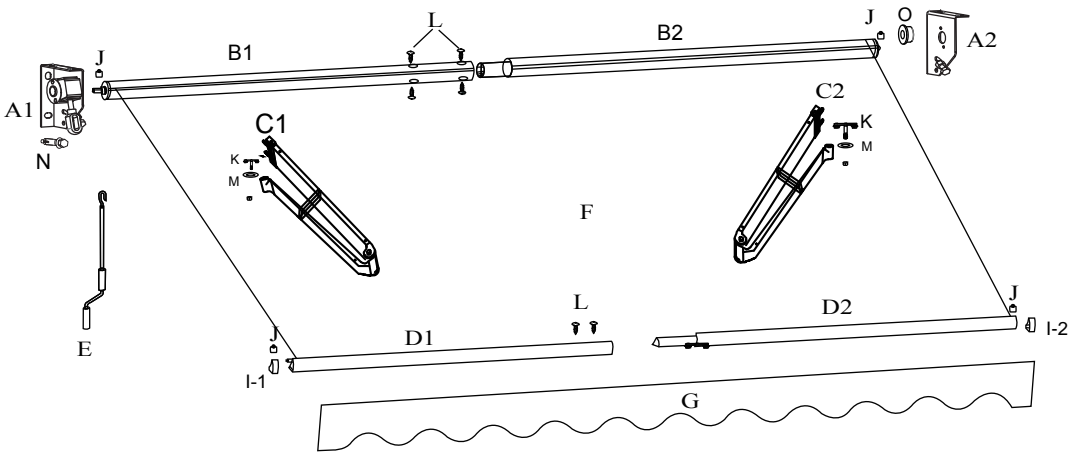
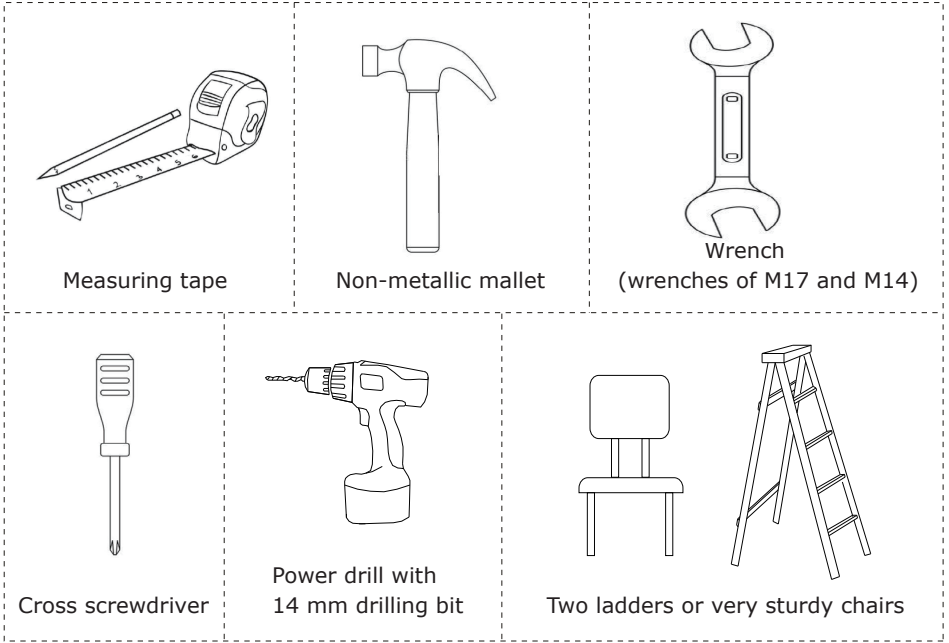
$\frac{N}{x4}$



$\frac{O}{x1}$



Please prepare below tools before assembly. (Not included)



Preparing Your Work Space

1. Before you begin, it is best to lay out all necessary tools to make setup smoother. Refer to the required tools section for the list of necessary tools.

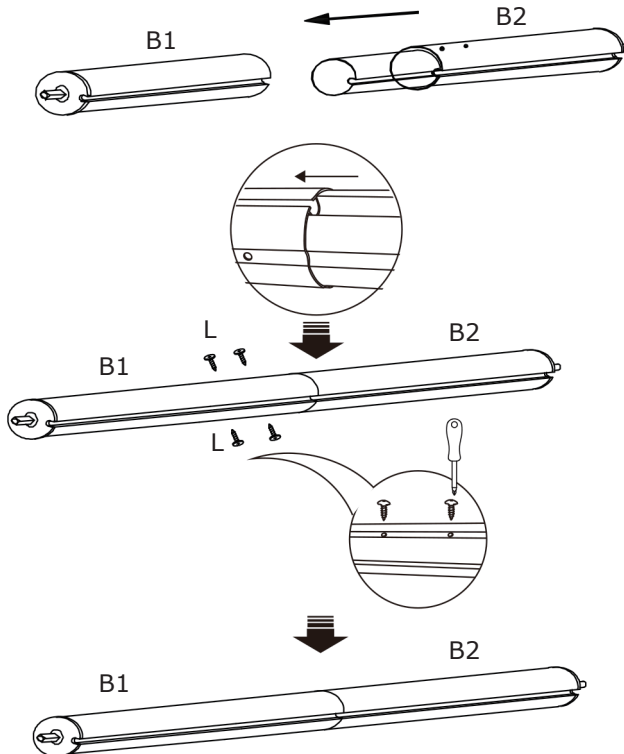
WARNING

DO NOT remove the safety wrap that holds the awning arms down. Serious injury can result from removing the wrap too soon.

2. Open the awning box and unwrap each piece carefully to avoid damaging the product.
3. Lay out each piece of the awning to ensure that all pieces are present. Refer to the parts diagram for detailed information regarding parts.
4. Open the small, inner box that contains the small parts and lay them out as well.
5. It is recommended that at least 2 people install.

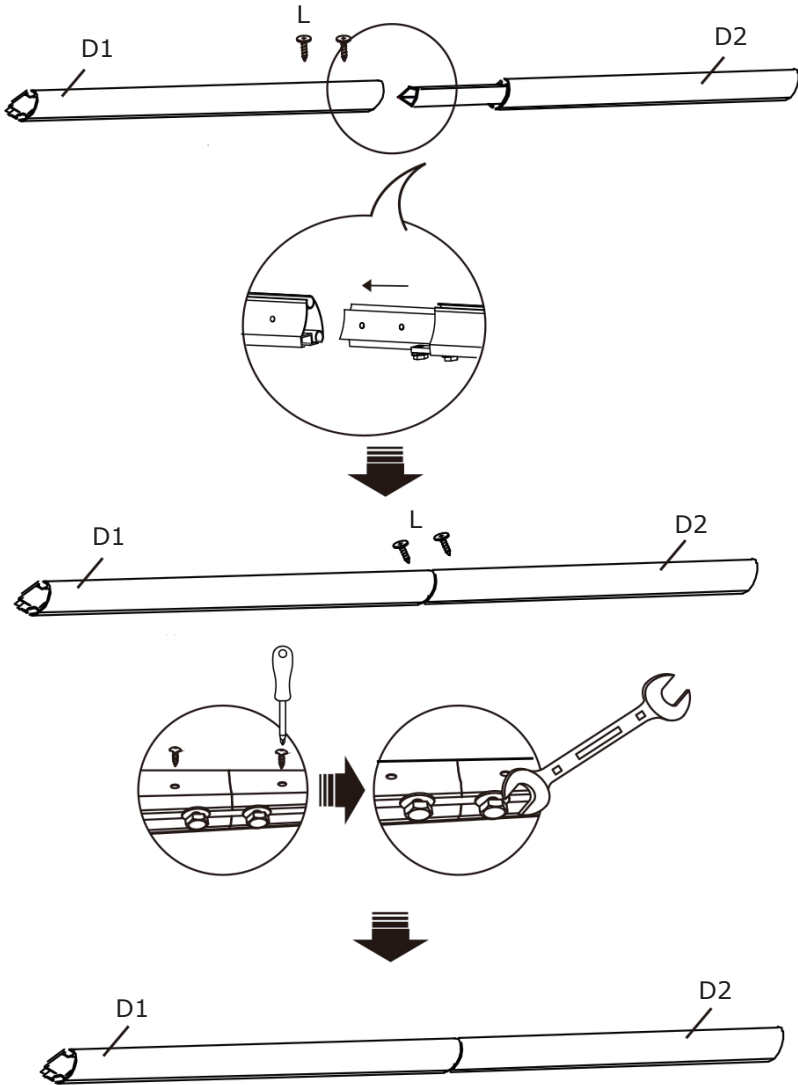
STEP 1 Connecting Roller Tubes

1. Gather the two long silver tubes(B1&B2) and lay them in a line.
2. Insert the roller tube(B2) into the interior end of the roller tube(B1) If insertion is difficult, use a mallet to tap it gently into place.
3. Once inserted, fix it into place with screws(L).



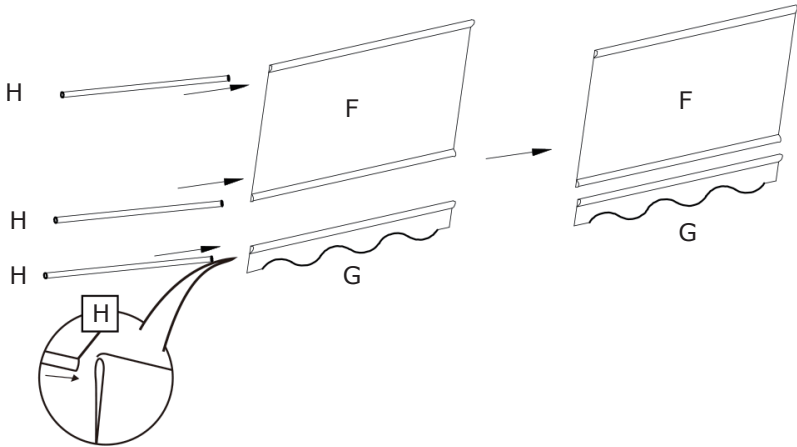
STEP 2 Connecting Front Bars

1. Insert the front bar(D2) into the interior end of the front bar(D1). If insertion is difficult, use a mallet to tap it into place.
2. Once inserted, fix it into place with screws(L) and tighten the screw nut on the bar.

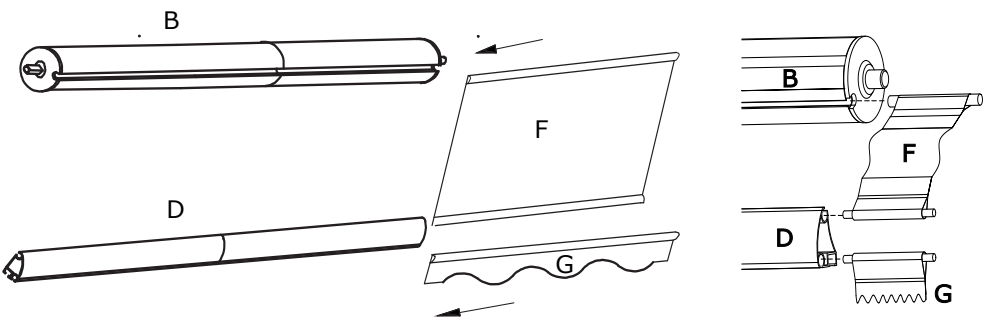


STEP 3 Fabric Assembly

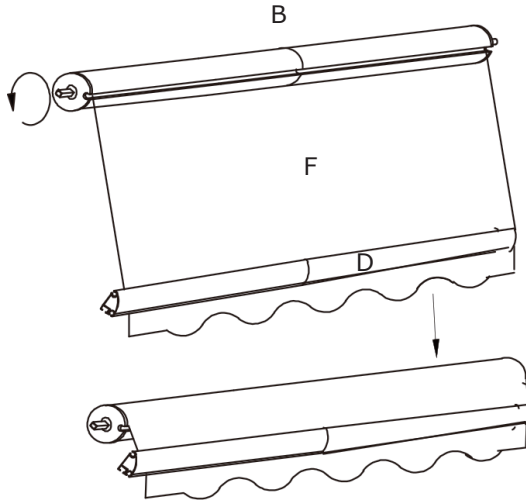
1. Open the fabric carefully to ensure that the product is not damaged.
2. Unfold both pieces of awning fabric. You should have one large fabric piece (F) and a valance with scalloped edge (G).
3. You should also have three fabric liner cords (H).
4. Thread the fabric liners through both ends of the large awning fabric (F) as well as the valance (G).



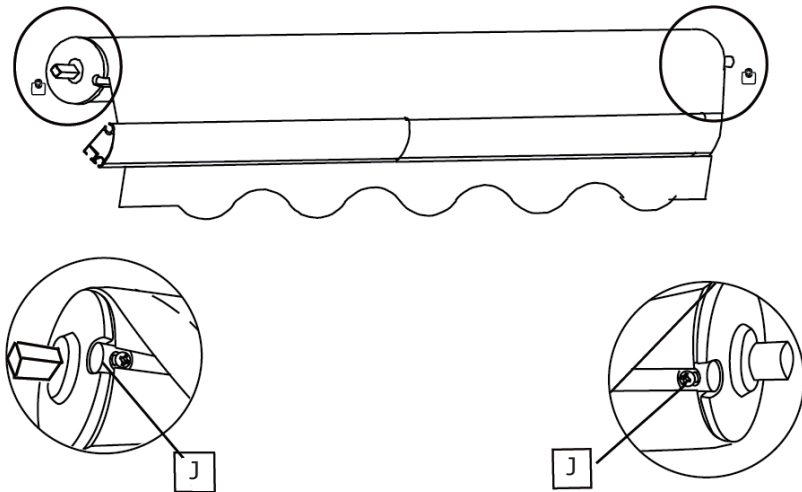
5. Once the liners are threaded through the fabric, find the roller tube. Thread the fabric and its liner through the slot in the roller tube all the way to the end. Note: the fabric has a front and a back side. The back side has a hem, and should face downwards. Then thread the other end of the awning fabric through the slot in the front bar (Wedge-shaped piece). Thread the valance (G) through the other slot in the front bar all the way to the end.



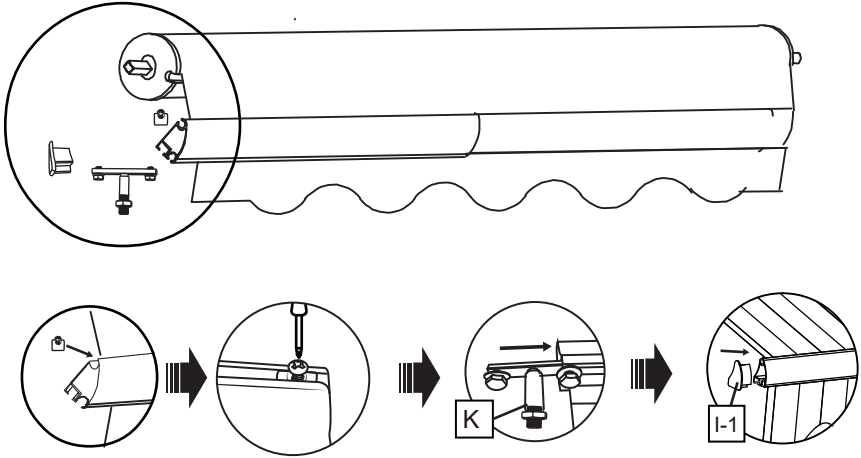
6. Roll the awning fabric counter clockwise around the roller tubes as tightly and evenly as possible.



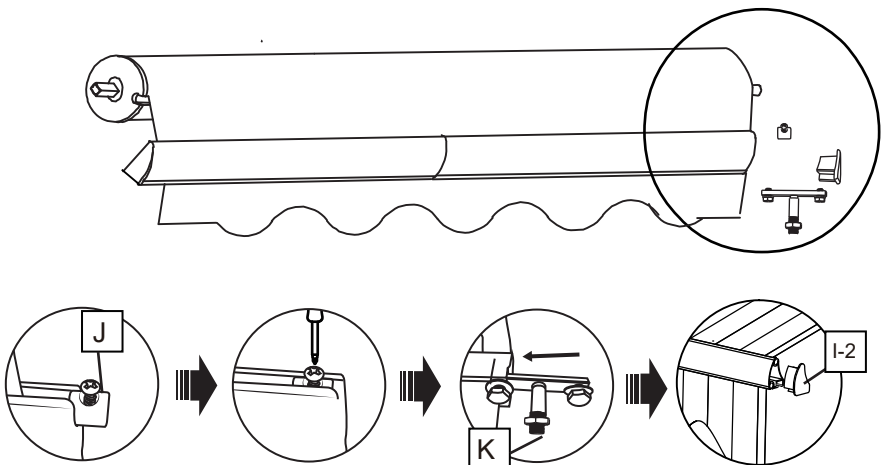
7. Fix the bolt (J) on the hole of the roller bar (B1&B2) on the left& right side. Screw it tightly.



8. Slide arm-bar link(K) into the groove of the front bar on the left side. Put the bolt(J) for fabric inserted,fix the bar end with a plastic cover(I-1). Then tighten the screw on the bolt.



9. Slide arm-bar link(K) into the groove of the front bar on the right side. Put the bolt(J) for fabric inserted,fix the bar end with a plastic cover(I-2). Then tighten the screw on the bolt.



Specification

Product name	Material and surface treatment	Applicable wall type	Recommended installation height	Applicable weather
Retractable awning (Please see details on the package)	Materials: Steel tube, aluminum alloy, plastic parts, polyester fabric. Service treatment: Tubes: spray paint and oxidation Cloth surface: PU, UV, waterproof	Reinforced concrete walls, brick walls	2.5m-3m	The products are used to shield sunshine. Applicable when wind is under level 5. Not suitable for rainy weather.

Wall Mounting

Notes about Wall Mounting

This awning can be secured to reinforced concrete, brick.

Expansion bolt is for reinforced concrete, brick.

We recommend a professional installer for the safest and most secure installation.

Never attempt to secure the wall brackets to loose wall stones or any surfaces that are not absolutely firm!

CAUTION

Proper location of the brackets is the most important aspect of the awning installation. It is critical that you fasten all the mounting brackets to studs, joists, headers or other major structural components.

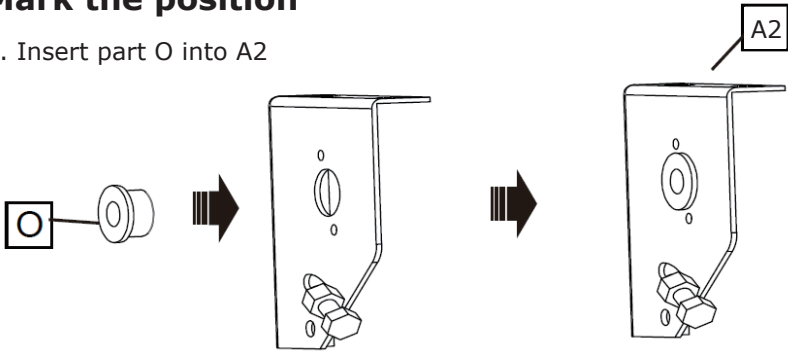
WARNING

Failure to securely fasten all the brackets to the wall could result in the collapse of the awning and cause personal injury or death.

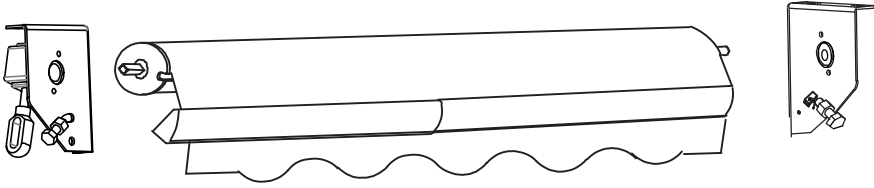
STEP 4 Assembly awning on the wall

Mark the position

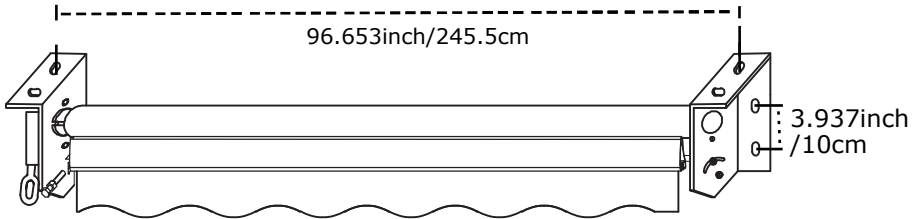
1. Insert part O into A2



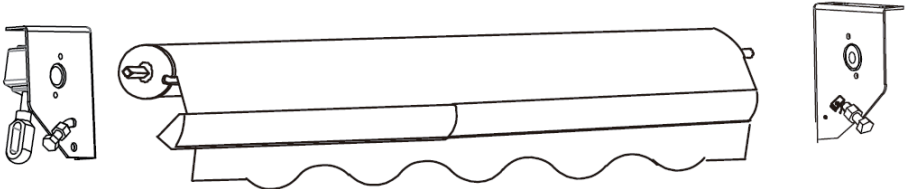
2. Connect A1 and A2 on the left and right side of the roller bar.



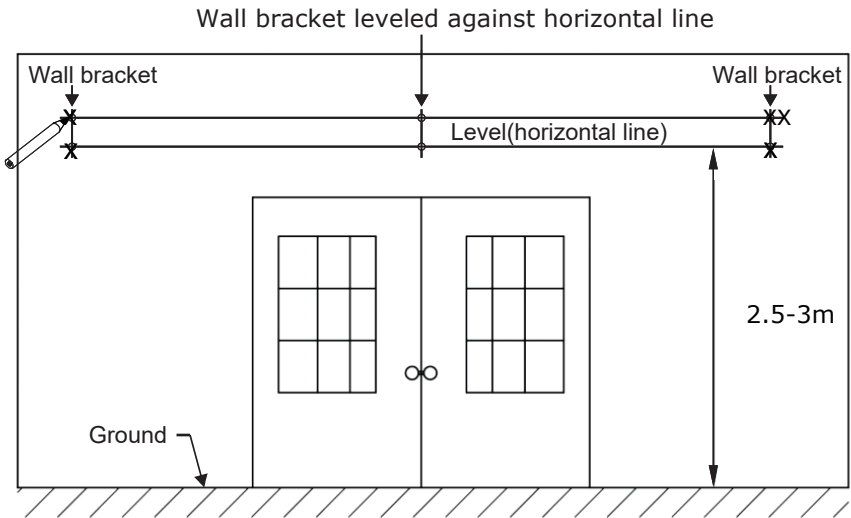
3. Measure the distance of product installation.



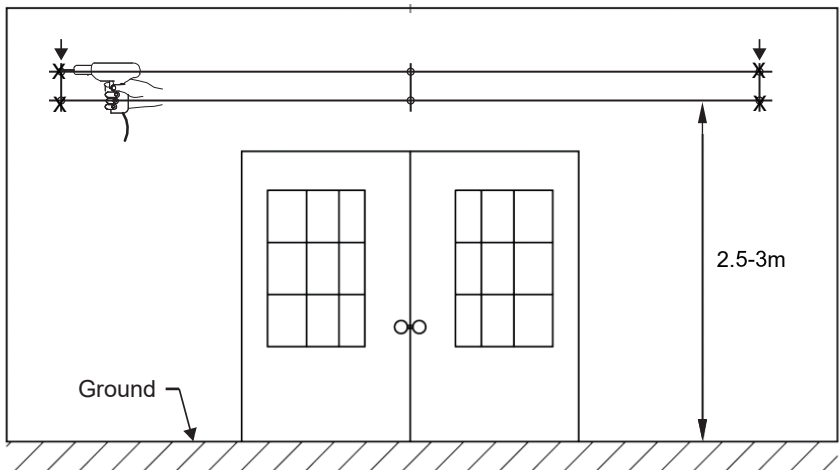
4. After measuring the distance,seprarte A1 and A2.



5. Mark the position on the wall

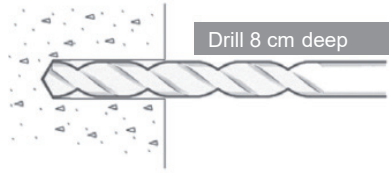


6. Drilling the bolt holes.



Drilling the Bolt Holes

1. Now that you have a straight level line across the wall with the locations of the wall brackets and their bolt holes marked, you can drill holes to mount the brackets.



2. Using a 14mm masonry drill bit, drill the first bolt hole approximately 8 cm deep, as shown in the diagram. This must be drilled through solid brick or concrete to offer the necessary support for the awning.

3. Drill the remaining holes exactly as in step 2.

WARNING

Failure to securely fasten all the brackets to the wall could result in the collapse of the awning and cause personal injury or death.

All bolt holes must be aligned vertically and horizontally to ensure that the awning hangs straight.

Double check alignment before drilling if you are not certain.

The diameter and depth of your mounting holes must be the same size as the expansion bolts.

Preparing for Mounting

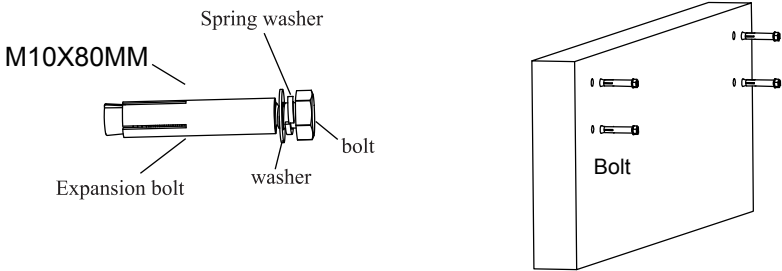
1. Now that all of your holes are drilled, then insert the expansion bolts.

2. It may be necessary to drive the bolts in with a wooden (or other non-metallic) mallet.



If a mallet is necessary for installation, we recommend placing the nut on the screw (loosely) before hammering to avoid damaging the bolt threads.

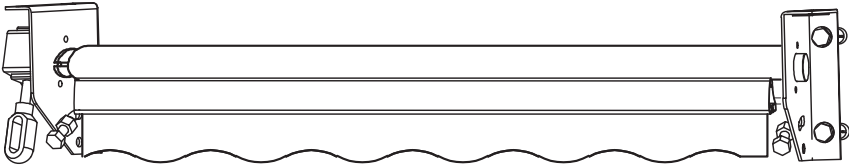
3. Make sure that the bolts are firm in place, yet let them stick out of the wall approximately 2.5 cm or less-enough that the wall bracket can be installed onto them. Firmly tighten the bolts with a 19 mm hex key. It is best to use the hex key with a closed end rather than an open end to avoid damaging the nut, should it slip.



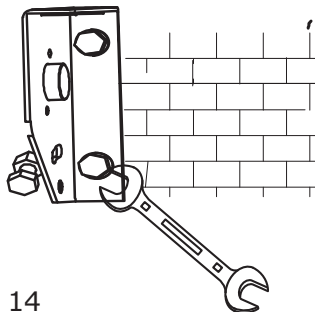
7. Please assemble the A1 on the wall by first, tighten the bolts by wrench. And assemble the A2 on the wall but do not tighten the bolts very much until step 9.



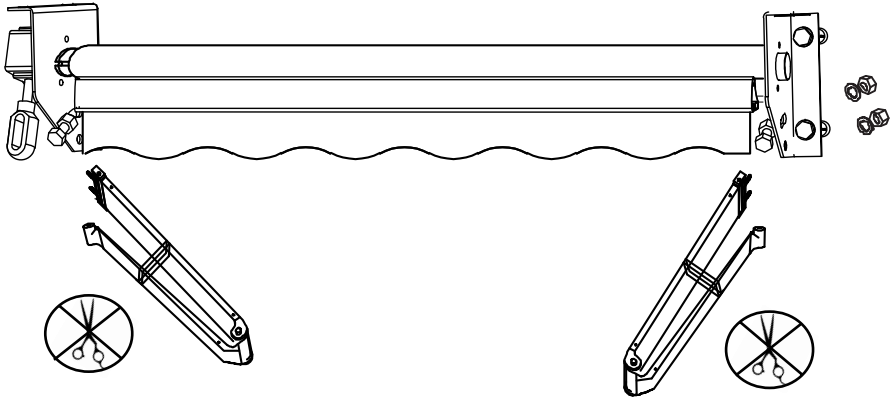
8. Then insert the left side of the roller bar into A1 hole.



9. After installation on the left side, then insert right side of the roller bar into A2 hole, and then tighten the bolts on A2 by wrench.

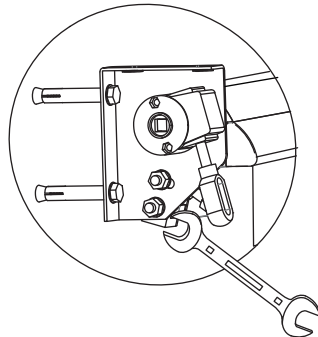
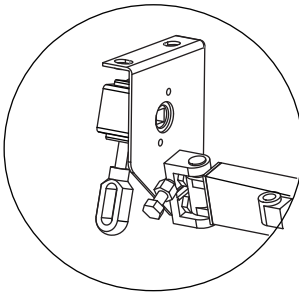


STEP 5 Assemble Arms

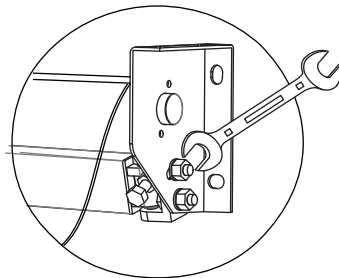
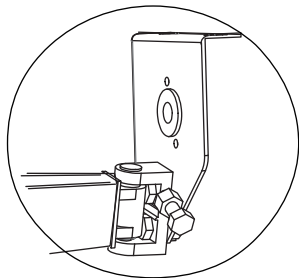


WARNING

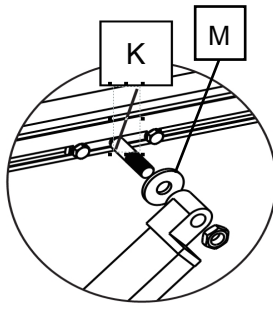
Don't cut off the rope on the arm.



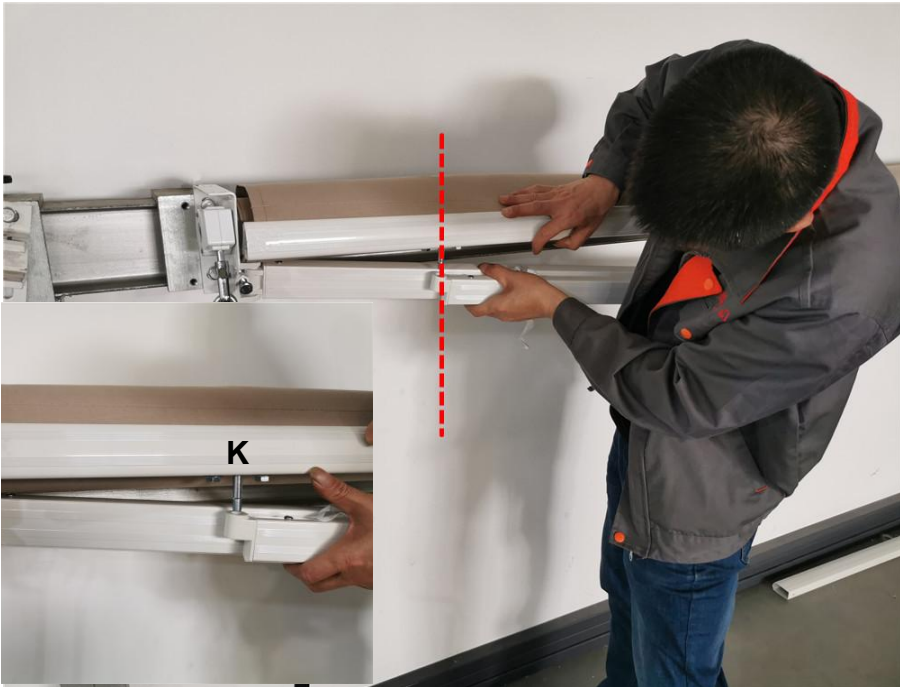
1. Assemble arm C1 on the wall bracket A1's arm holes.
2. Tighten the arm screws.



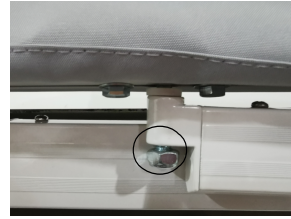
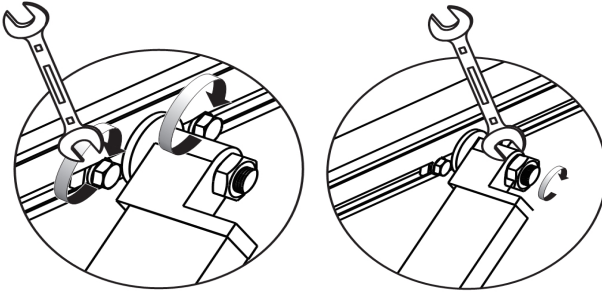
3. Assemble arm C2 on the wall bracket A2's arm holes.
4. Tighten the arm screws.



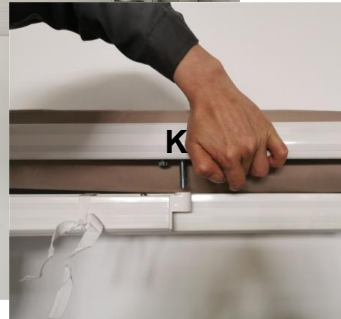
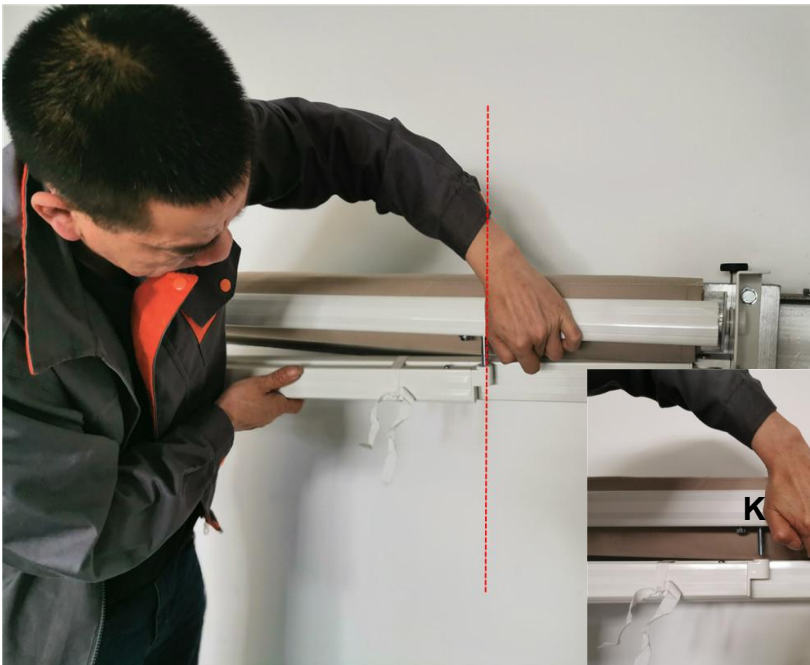
5.Screw two plastic washers (M) into the arm-bar links (K).



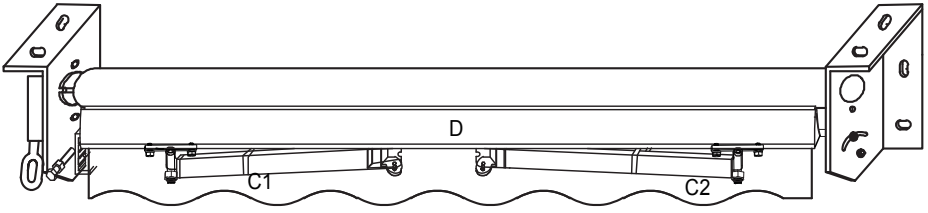
6.Installation notes: Push C1 arms slightly in the direction of the fold and hold it. Move K to suitable position,make sure the K and the hole on the arm in the same vertical line.Then insert the arm-bar links to the holes on the end of both arms.



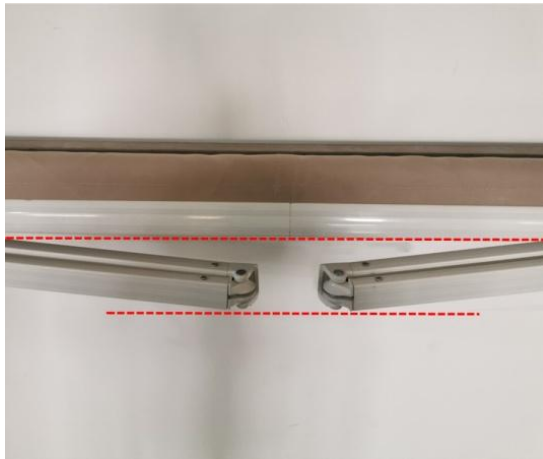
7. Tighten the two screws and nuts with a wrench.
(Installation notes: Do not fully tighten the screw nuts, leaving about 0.4cm space in between.)



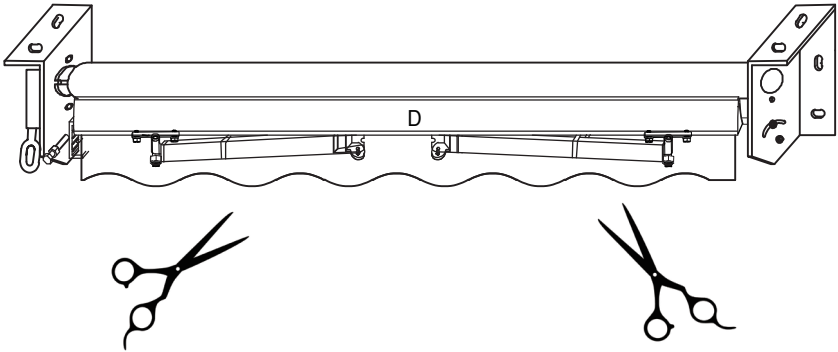
8. Installation notes: Push C2 arms slightly in the direction of the fold and hold it. Move K to suitable position, make sure the K and the hole on the arm in the vertical line. Then insert the arm-bar links to the holes on the end of both arms. Then repeat step 7



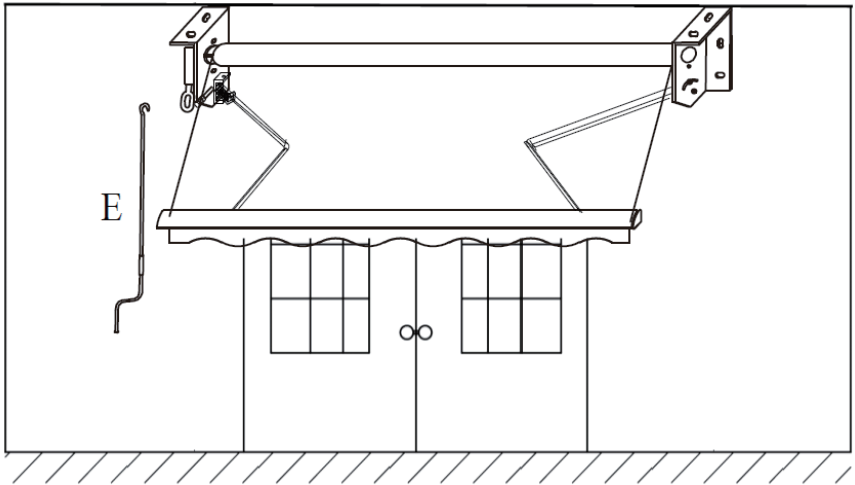
When we have completed all the above steps, the product installation is complete.



Please note: C1 and C2 arms are basically on the same parallel plane in their natural state



9. Please cut the straps on arms carefully while making sure that the cloth is completely tightened.



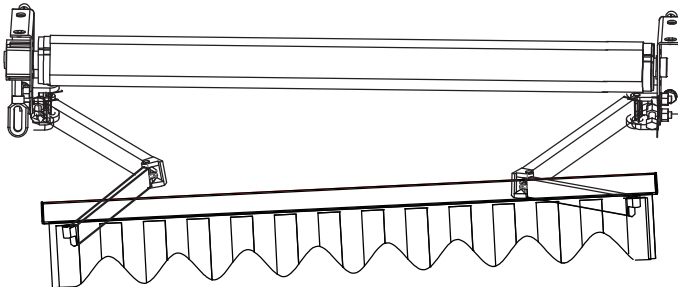
10. Open the awning with hand crank E.

If you find that the cloth surface has fallen down. Please retract the cloth surface 3-5cm to ensure that the cloth surface is in a tight state.

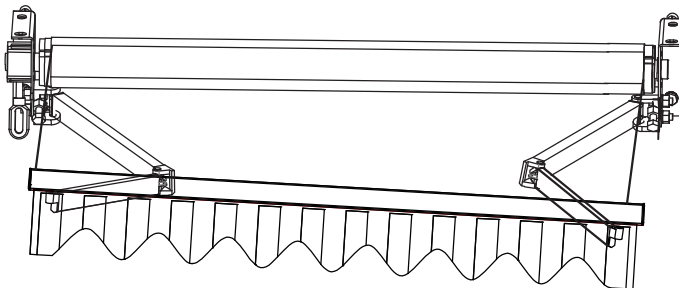
Attention!

1. Keep this product away from heat and flame.
2. Do not use this product in the rain or in strong winds.
3. Do not leave leaves or water too long on the roof.
4. Do not hang any clothes on any part of awning.
5. You should often check if the fixed barcket has become loose in the wind. If it is loose, please contact a professional to fix.
6. Make sure that the place where you install the awning is strong enough to support the weight of the product.
7. Close your awning during the winter,in case the snow increases its loads.

When we fully unfold the awning, we may find that the left and right sides of the awning are unbalanced. At this time, we need to adjust the inclination of the awning so that the left and right sides of the awning can be on the same horizontal line.



Tips: You can adjust only the left side or only the right side, you can also adjust both left side and right side. The inclination of the awning is up to you, but please remember the left side and right side should be on the same horizontal line finally.

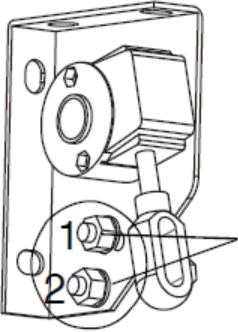


How to adjust the awning inclination

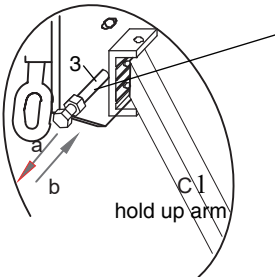
The inclination of the awning is set by adjusting the screw

WARNING

when adjusting the awning inclination, please expand the awning completely



Step1: Hold up the arm and loosen the screw (1&2)
Don't loosen the screw directly without holding the arm up.

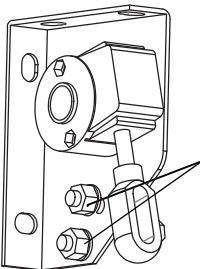


Step2: Keep holding up the arm(C1)by your hand and adjust the screw(3)

If you turn the screw in the direction of arrow a, the angle of the awning will go down.

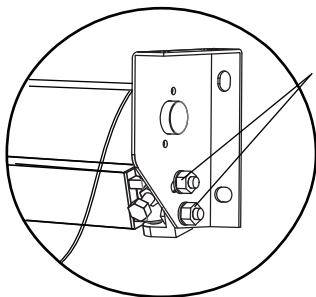
If you turn the screw in the direction of arrow b, the angle of the awning will rise upward.

After adjusting the screw3, please check if the awning has been adjusted to the proper angle, if not,please repeat the above installation steps 2 until the angle is suitable.

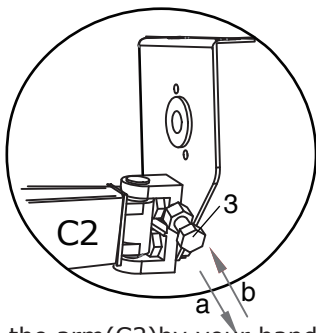


Step3: Don't forget to tighten the screws(1&2) after adjusting the inclination of the awning.

If you don't tighten the screw(1&2), the screw 3 will be damaged soon.



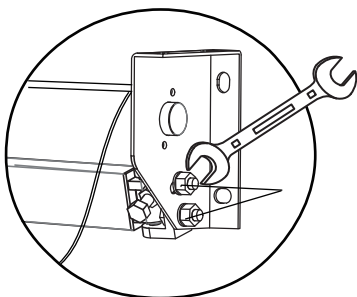
Step1: Hold up the arm and loosen the screw(1&2) Don't loosen the screw directly without holding the arm up.



Step2: Keep holding up the arm(C2)by your hand and adjust the screw(3)
If you turn the screw in the direction of arrow a, the angle of the awning will go down.

If you turn the screw in the direction of arrow b, the angle of the awning will rise upward.

After adjusting the screw3, please check if the awning has been adjusted to the proper angle,if not,please repeat the above installation steps 2 until the angle is suitable.



Step3: Don't forget to tighten the screws(1&2) after adjusting the inclination of the awning.

If you don't tighten the screw(1&2), the screw 3 will be damaged soon.



Please give us a chance to make it right and do better !

Contact our friendly customer service department for help first.
Replacements for missing or damaged parts will be shipped ASAP !

US office: Fontana **UK** office: Ipswich **AU** office: Truganina
DE office: Hamburg **FR** office: Saint Vigor d'Ymonville **PL** office: Gdańsk



Contact Us!

Do NOT return this item.

Contact our friendly customer service department for help first.



US: cs.us@costway.com

UK: cs.uk@costway.com

AU: cs.au@costway.com