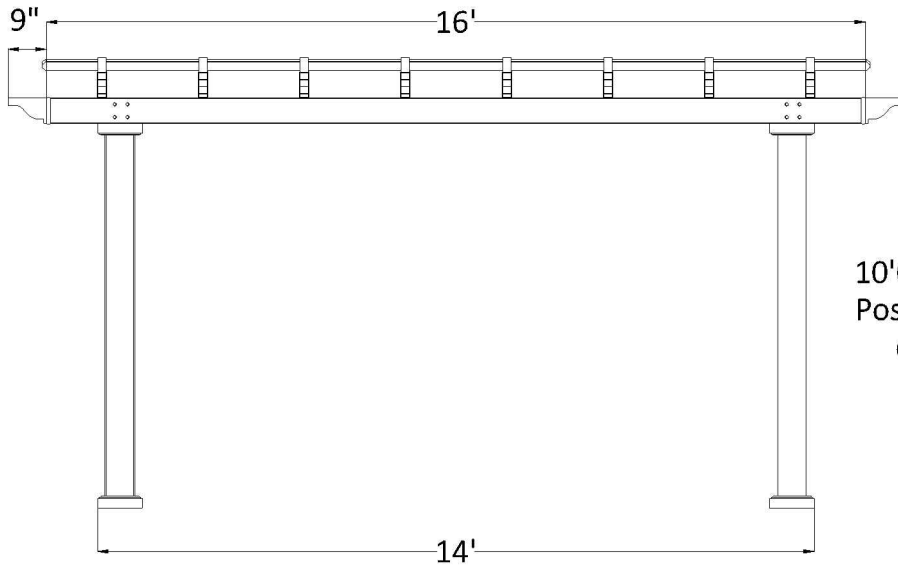


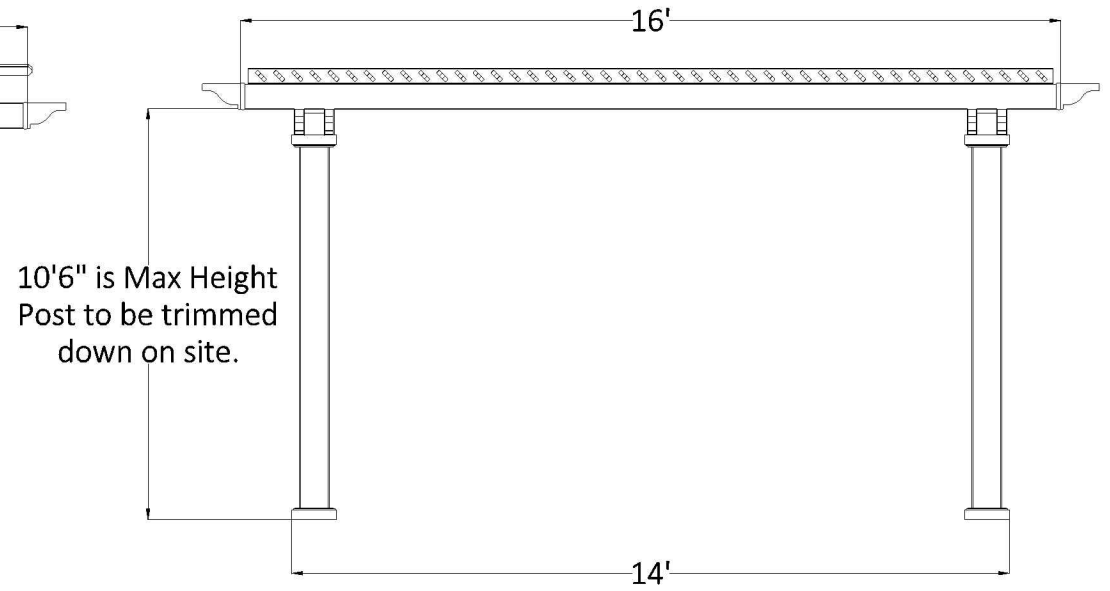
# FRONT ELEVATION



POST ON CENTER MEASUREMENT FOR 14' OTO

STYLE	INCHES
7" SQUARE COLUMN	157 1/2

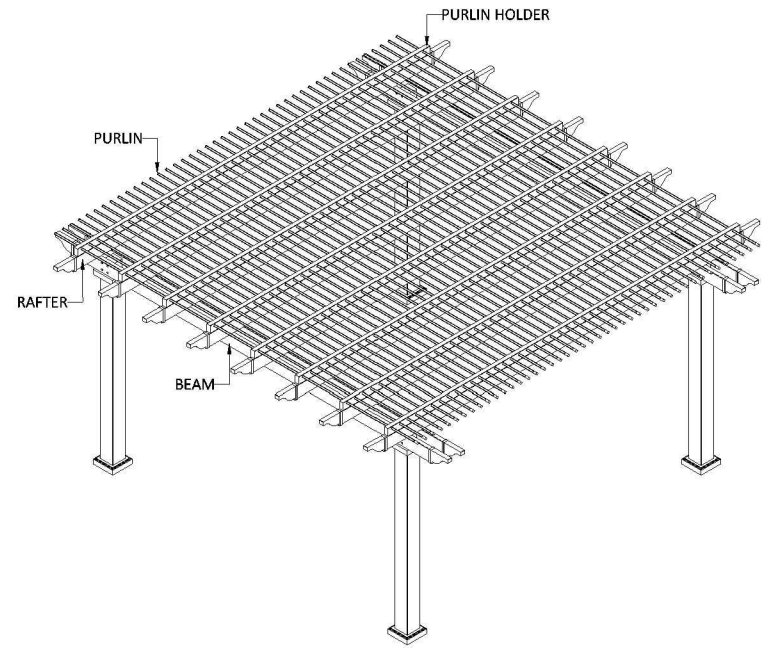
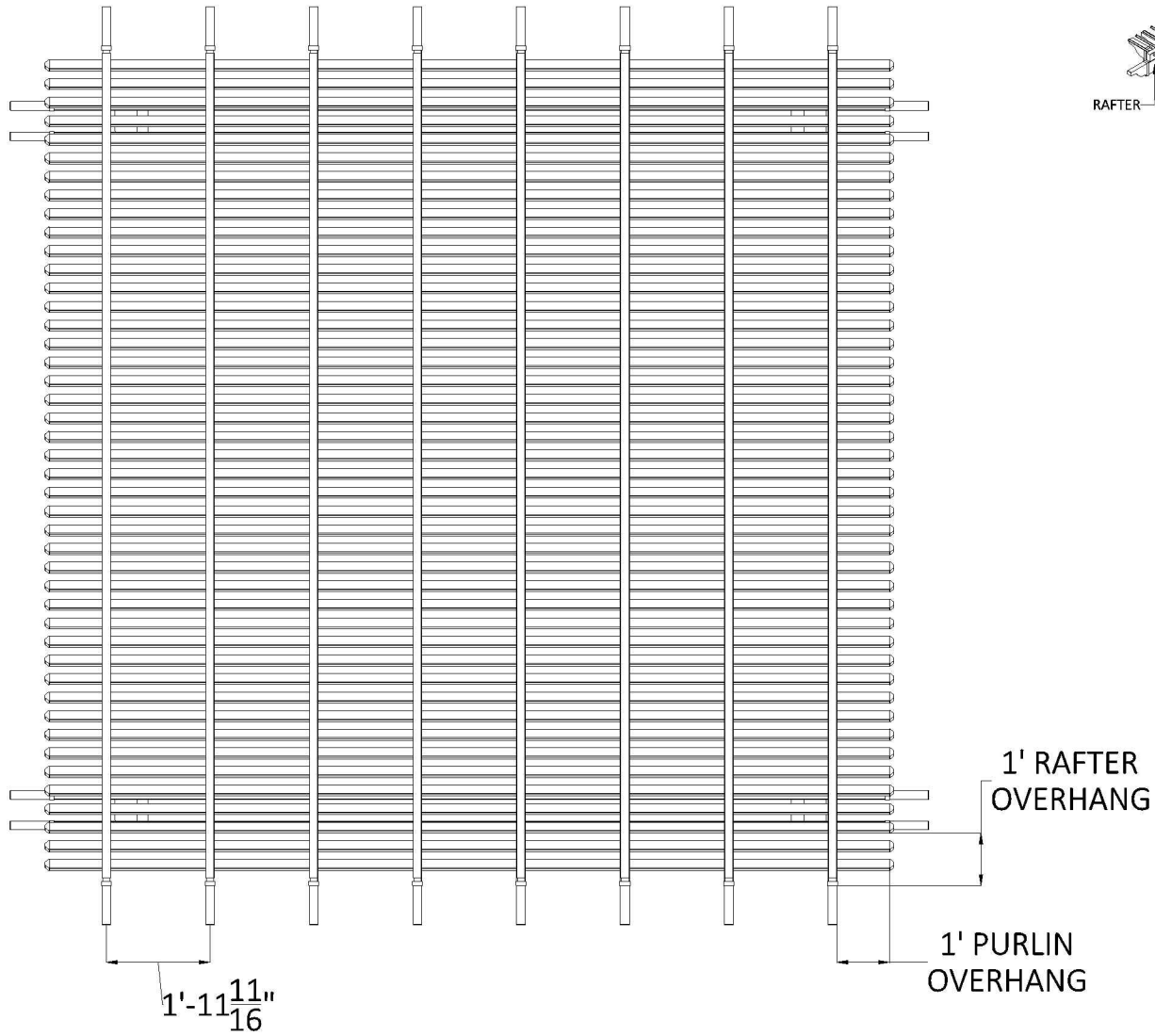
# SIDE ELEVATION



POST ON CENTER MEASUREMENT FOR 14' OTO

STYLE	INCHES
7" SQUARE COLUMN	157 1/2

# PLAN VIEW



16' x 16' FREESTANDING PERGOLA