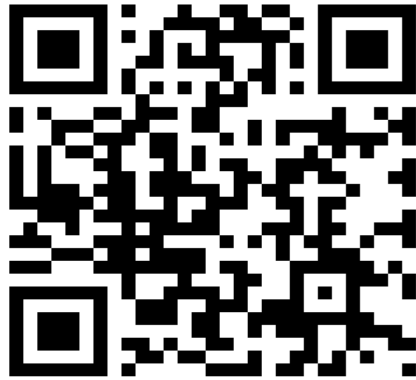


Installation video



Modern Ceiling Fan

Installation & Troubleshooting Manual

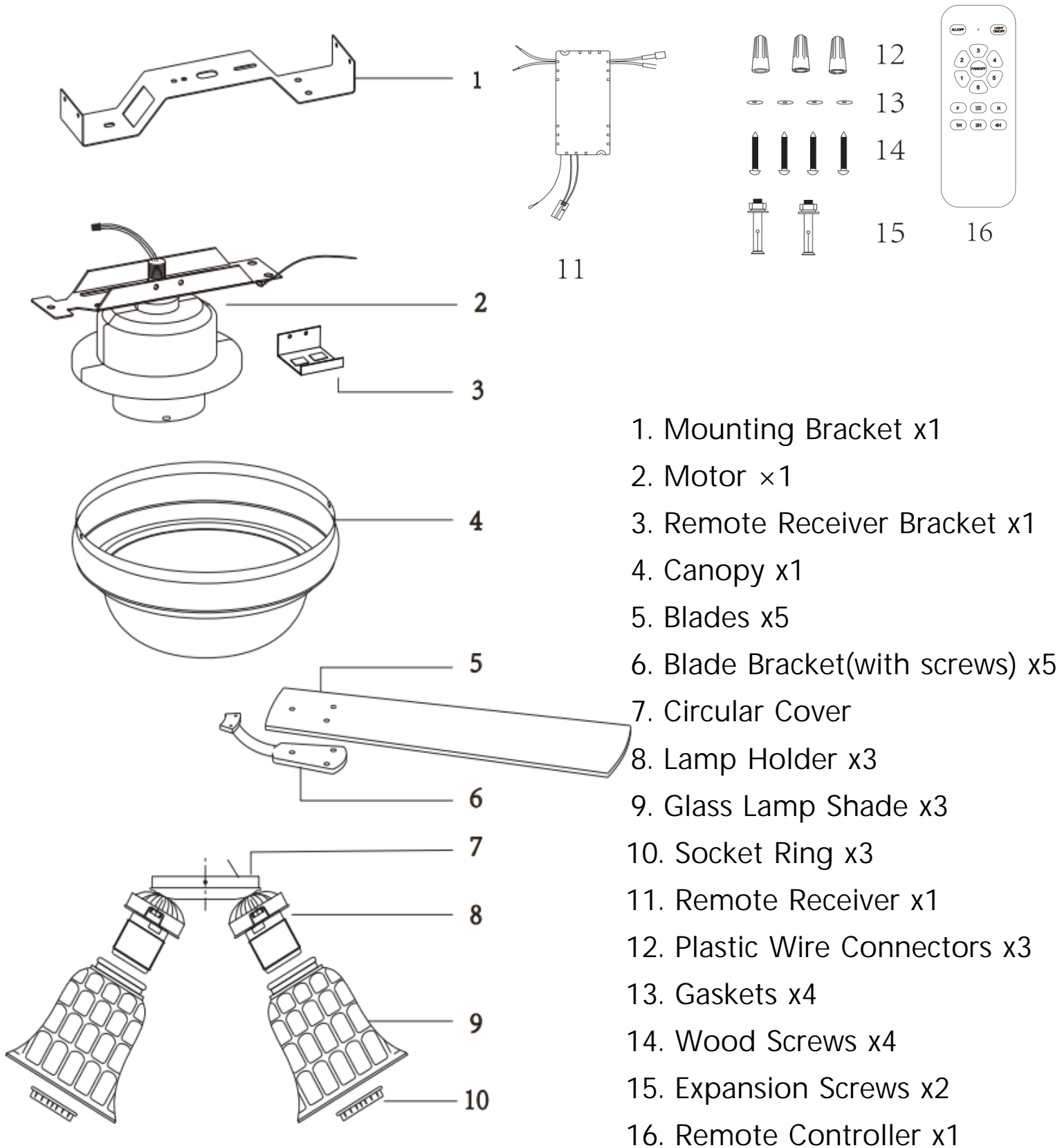
CAUTION

**READ INSTRUCTIONS CAREFULLY FOR
SAFE INSTALLATION AND FAN OPERATION**



BEFORE INSTALLATION

Unpack your fan and check the contents. You should have followings:



1. Mounting Bracket x1
2. Motor ×1
3. Remote Receiver Bracket x1
4. Canopy x1
5. Blades x5
6. Blade Bracket(with screws) x5
7. Circular Cover
8. Lamp Holder x3
9. Glass Lamp Shade x3
10. Socket Ring x3
11. Remote Receiver x1
12. Plastic Wire Connectors x3
13. Gaskets x4
14. Wood Screws x4
15. Expansion Screws x2
16. Remote Controller x1

SAFTY RULES

1. To reduce the risk of electric shock, turn off the electricity to the fan at the main fuse box or circuit panel before beginning.
2. All wiring must be in accordance with the local electrical codes or National Electrical Code. Electrical installation should be performed by a qualified licensed electrician.
3. To avoid personal injury, the use of gloves may be necessary while handling fan parts with sharp edges.
4. Make sure the installation site you choose allows clear space for the blades to rotate and at least seven 7 feet (2.13 meters) of clearance between the floor and the fan blade tips. The fan should be mounted so that the tips of the blades are at least thirty 18 inches (45.72 centimeters) from walls or other upright structures.
5. **WARNING:** To reduce the risk of fire, electric shock, or personal injury, mount fan only to an outlet box marked acceptable for fan support and use mounting screws provided with the outlet box. Most outlet boxes commonly used for the support of lighting fixtures are not acceptable for fan support and may need to be replaced. Consult a qualified electrician if in doubt.
6. The outlet box and ceiling support structure must be securely mounted and capable of supporting at least 45 KGs.
7. To avoid personal injury or damage to the fan and other items, be cautious when working around or cleaning the fan.
8. Do not use water or detergents when cleaning the fan or fan blades. A dry dust cloth or lightly dampened cloth will be suitable for most cleaning.
9. After making electrical connections, spliced conductors should be turned upward and pushed carefully up into the outlet box. The wires should be spread apart with the grounded conductor and the equipment-grounding conductor on one side of the outlet box.
10. Electrical diagrams are for reference only.
11. The fan is suitable for indoor use only.

TOOLS REQUIRED



Phillips
screwdriver



Flat blade
screwdriver



Step
ladder



Wire
stripper



Electrical
tape

INSTALL THE FAN

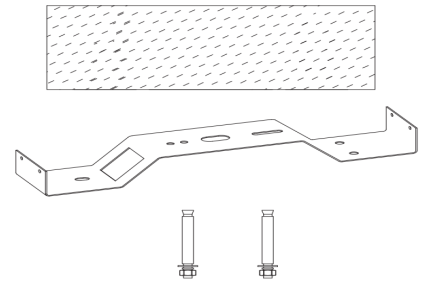
Tools Required: Phillips Screwdriver, Pair of Pliers, Straight slot screwdriver, Adjustable Wrench, Step Ladder and Wire Cutters.

INSTALL THE MOUNTING BRACKET

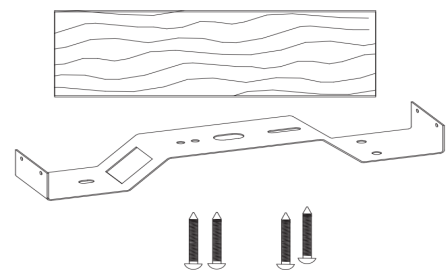
To prevent personal injury and damage, ensure that the hanging location allows the blade a clearance of 7 feet (2.13 meters) from the floor and 18 inches (45.72 centimeters) from any wall or obstruction.

If there isn't an existing CUL listed mounting box, then read the following instructions:

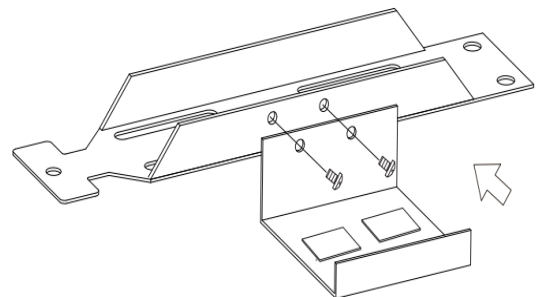
1. For the concrete ceiling: Mark the location for the ceiling fan first, then drill two holes in the ceiling to aid in securing ceiling bracket with two expansion screws provided, and secure the mounting bracket to the building structure with two expansion screws provided, tighten the screws. (Fig.1)



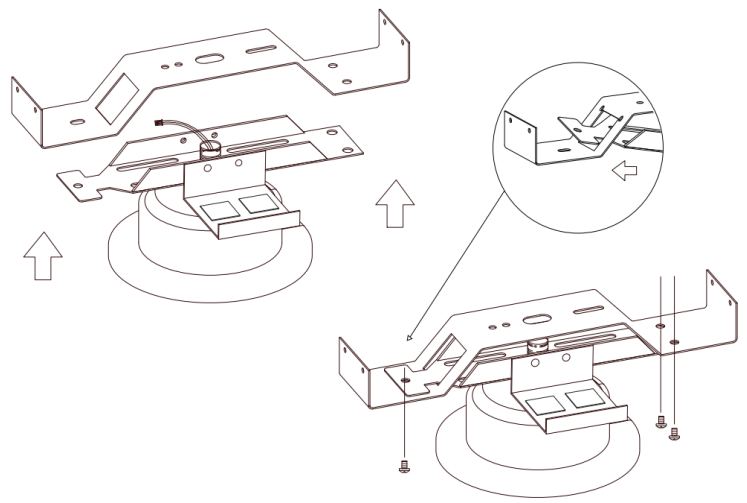
2. For the Wood Ceiling: Mark the location for the ceiling fan first, secure the mounting bracket to the building structure with four wood screws provided. (Fig.2)



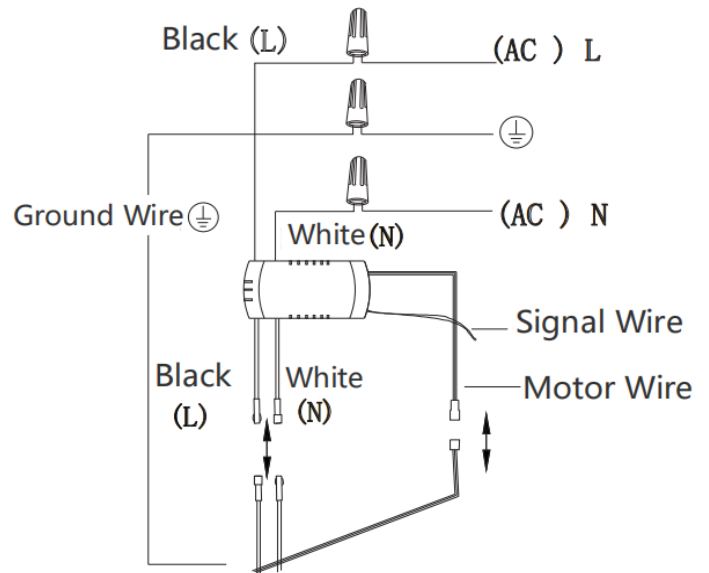
Install the Remote Receiver Bracket on the Mounting Bracket and secure it with screws.



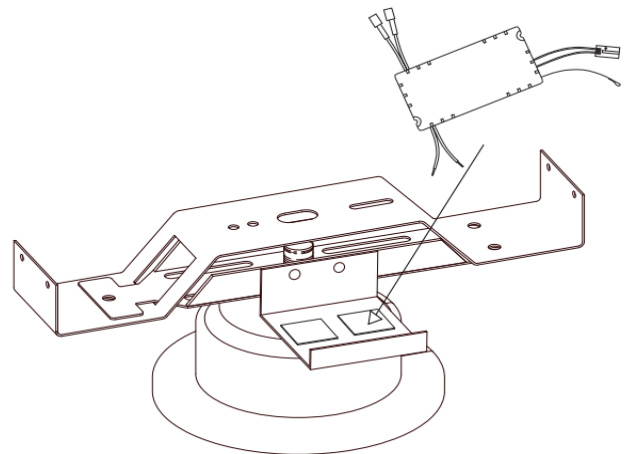
Insert the Motor into the Mounting Bracket and secure it with the three accompanying screws.



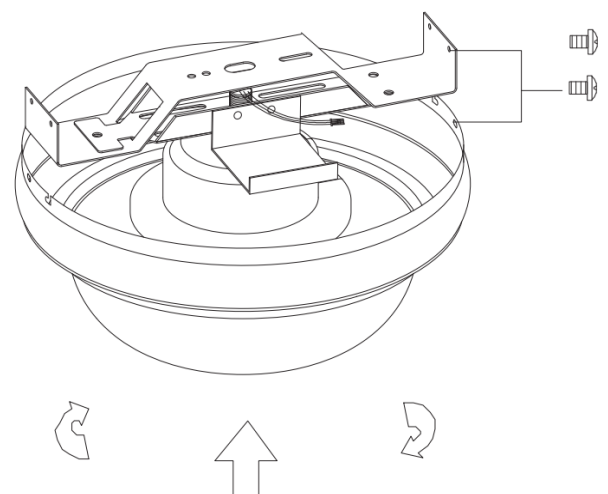
Make wiring connections from the house and the motor to the remote receiver as shown right. Connect using wire nuts (provided).



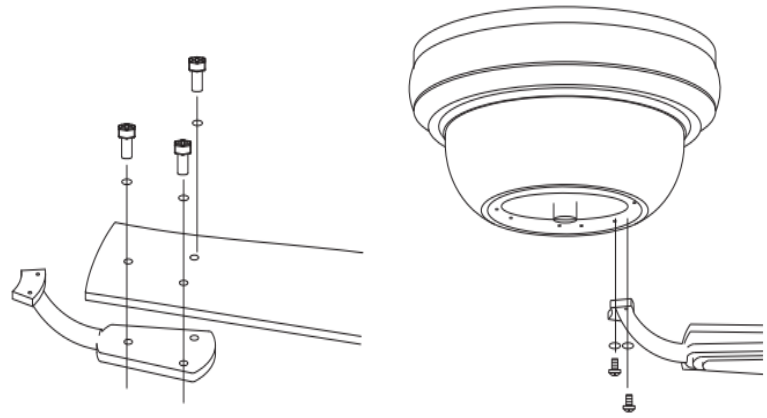
Place the Remote Receiver on the Bracket and secure it with the included double-sided adhesive tape.



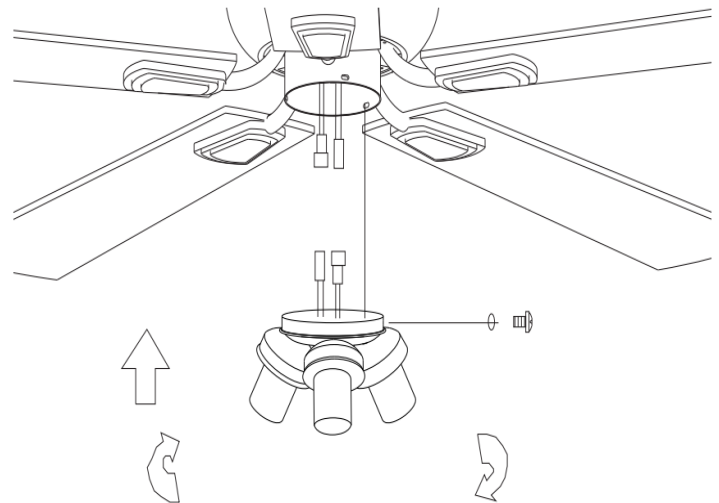
Place the Canopy on the Mounting Bracket, rotate it clockwise to align it with the holes on the Mounting Bracket, and then secure it by tightening four accompanying screws.



Align the holes of the Blade Brackets and the holes of motor. Connect them together by screws.



1. As shown in the figure, connect the wires from the Motor to the wires on the Circular Cover.
2. Secure the Circular Cover onto the Circular Disc using the provided screw



1. Secure the Glass Lamp Shade onto the Lamp Holder using Socket Ring.
2. Repeat this process to affix all three Glass Lamp Shades onto the Lamp Holders.

