



MT000T01

Two-Piece Toilet



FEATURES :

- Rear Discharge Two-Piece Toilet
- Chair-Height (16 1/2")
- Powerful Direct Flush
- Space-Efficient Round Bowl
- Left-Handed Flush Lever

SPECIFICATIONS :

- **N.W:** 72.8 LB
- **Dimension:** 26"L * 31 9/16"H * 16"W
- **Trap Type:** P-trap
- **Flush Type:** Direct Flush
- **Flush Rate:** 1.6GPF
- **Waste Outlet:** Wall
- **Seat Shape:** Round
- **Installation Type:** Floor Mounted
- **Quality Assurance:** 2-Year Warranty

	Bowl	Water Tank	Toilet Seat	Extension Pipes
Material	Ceramic	Ceramic	Polypropylene	Polypropylene
Color	White	White	White	White
Weight	39 LB	28.7 LB	2.8 LB	2.3 LB



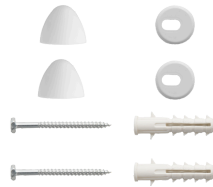
**MACERATING
FLO**

Innovation For A Better Flow

PACKAGE INCLUDED :



Toilet Bowl



Floor Mounting Kit



Extension Pipes



Water Tank
(Water Fittings Pre-installed)



Water Tank
Mounting Kit



Adapter



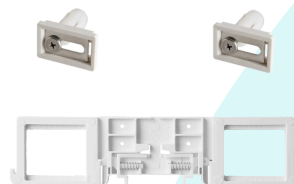
Tank-To-Bowl Gasket



Lever



Toilet Seat



Seat Mounting Kit



**MACERATING
FLO**

Innovation For A Better Flow

DIMENSIONAL DIAGRAM :

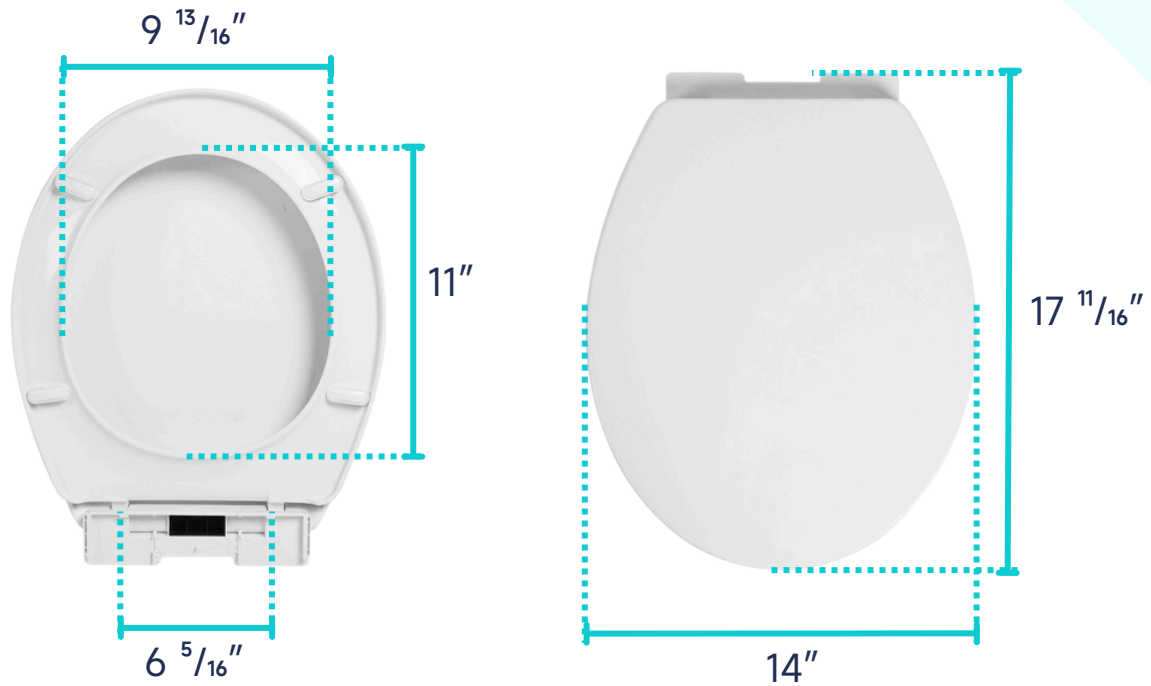




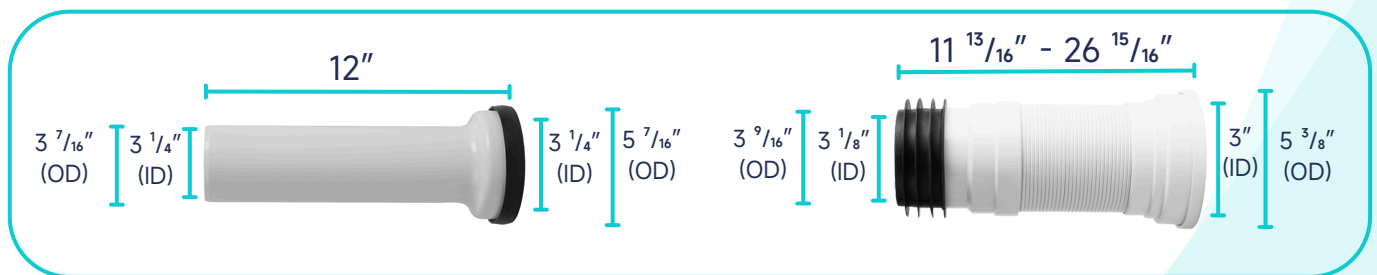
**MACERATING
FLO**

Innovation For A Better Flow

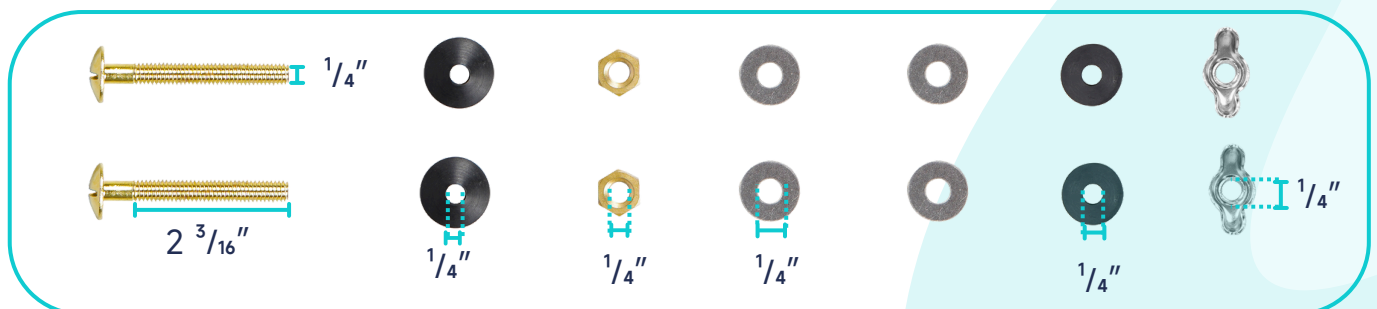
DIMENSIONAL DIAGRAM :



EXTENSION PIPES:



WATER TANK MOUNTING KIT:



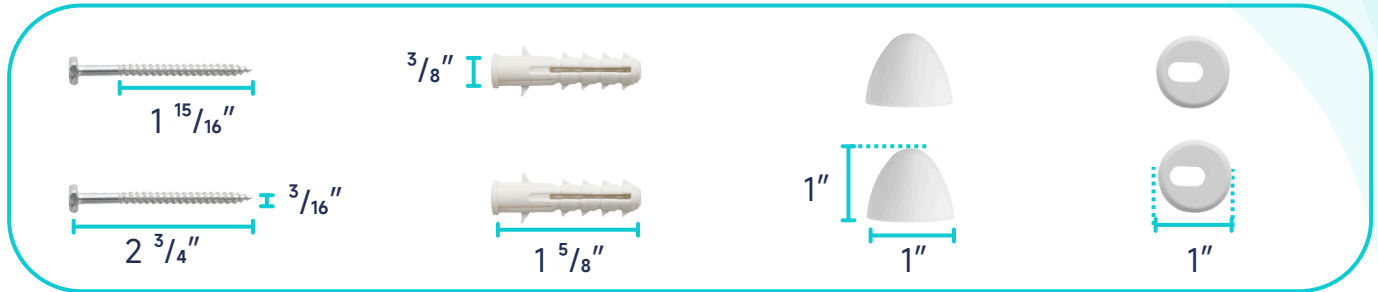


**MACERATING
FLO**

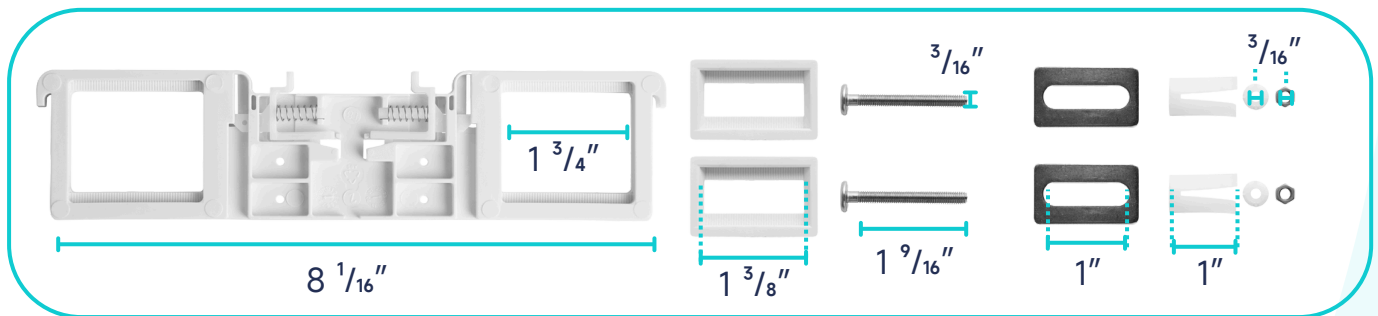
Innovation For A Better Flow

DIMENSIONAL DIAGRAM :

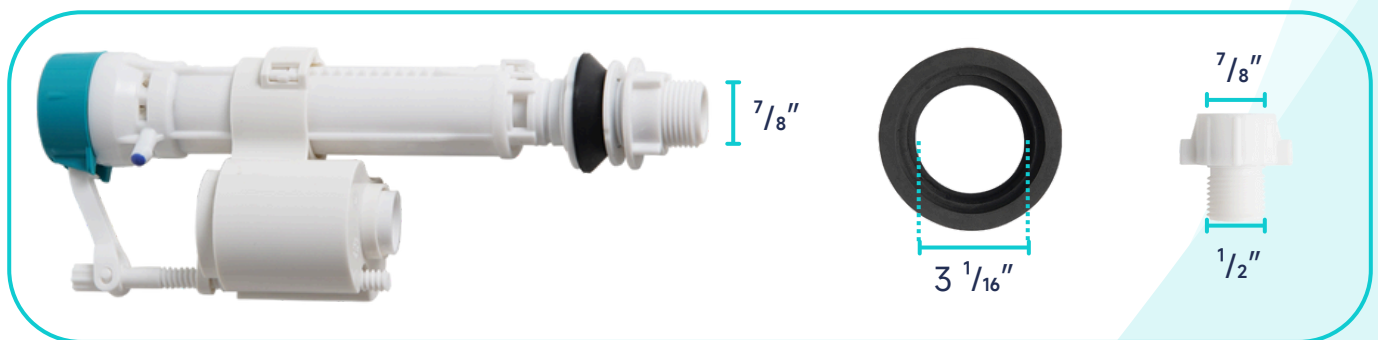
FLOOR MOUNTING KIT:



SEAT MOUNTING KIT:



WATER TANK CONNECTION KIT:



LEVER:

