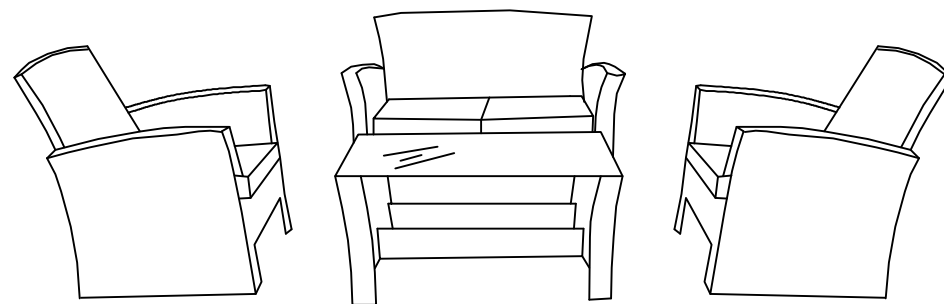
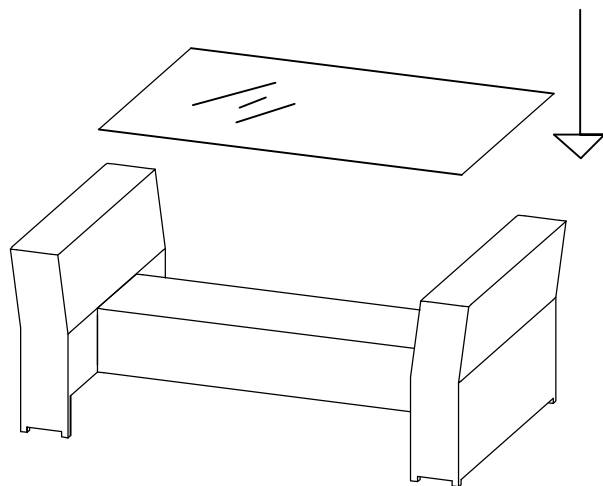
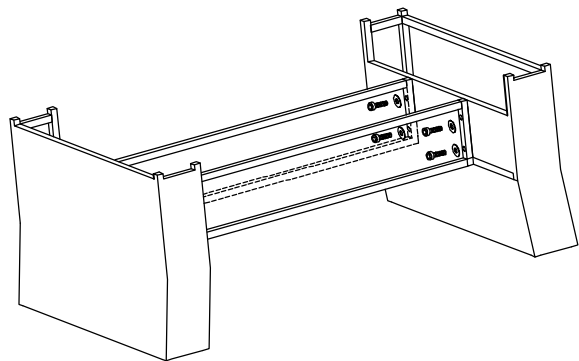
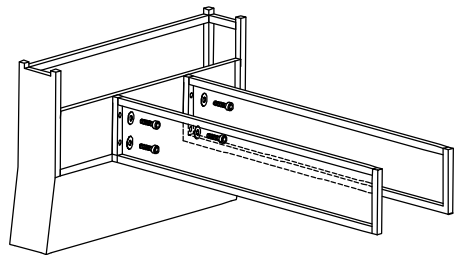


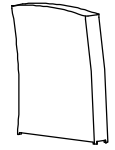
Do not fully tighten bolts until assembly is complete.
Assemble the table linker(H) to the leg(G),using bolt and washer(J).



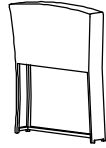
ASSEMBLY INSTRUCTIONS

PARTS AND HARDWARE

Avoid using sharp objects such as a knife to cut open packing as you may accidentally damage the upholstery.



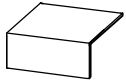
A: 3PCS



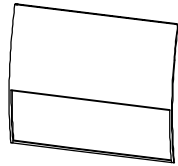
B: 3PCS



C: 2PCS



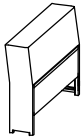
D: 2PCS



E: 1PC



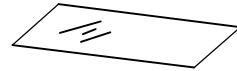
F: 1PC



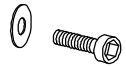
G: 2PCS



H: 2PCS



I: 1PC



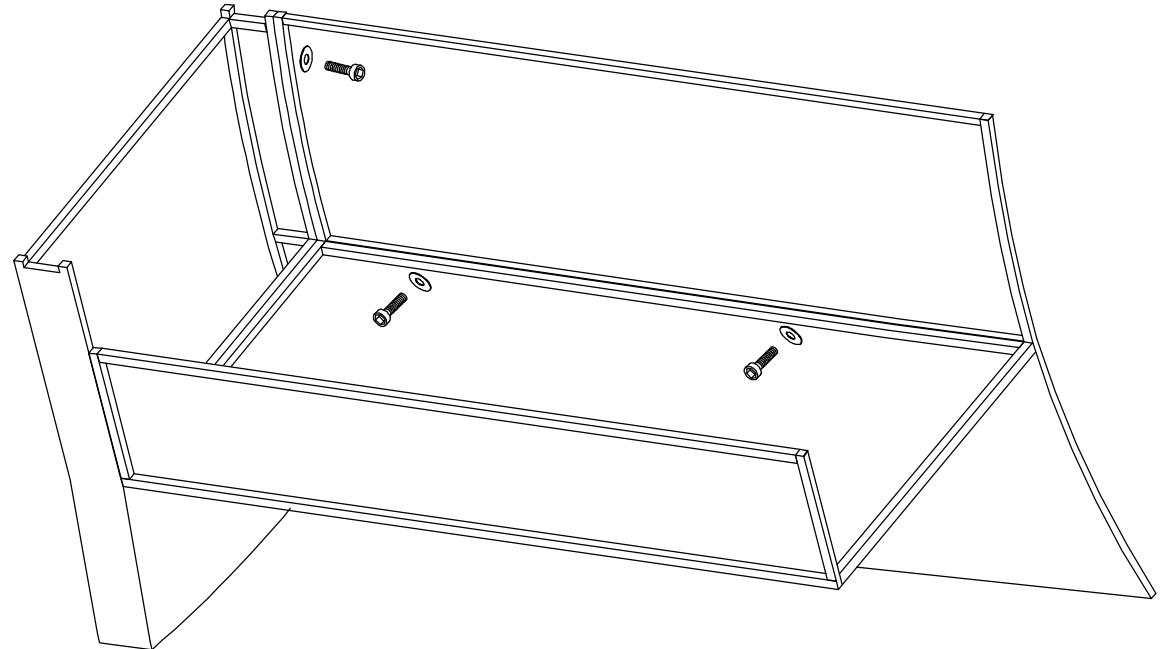
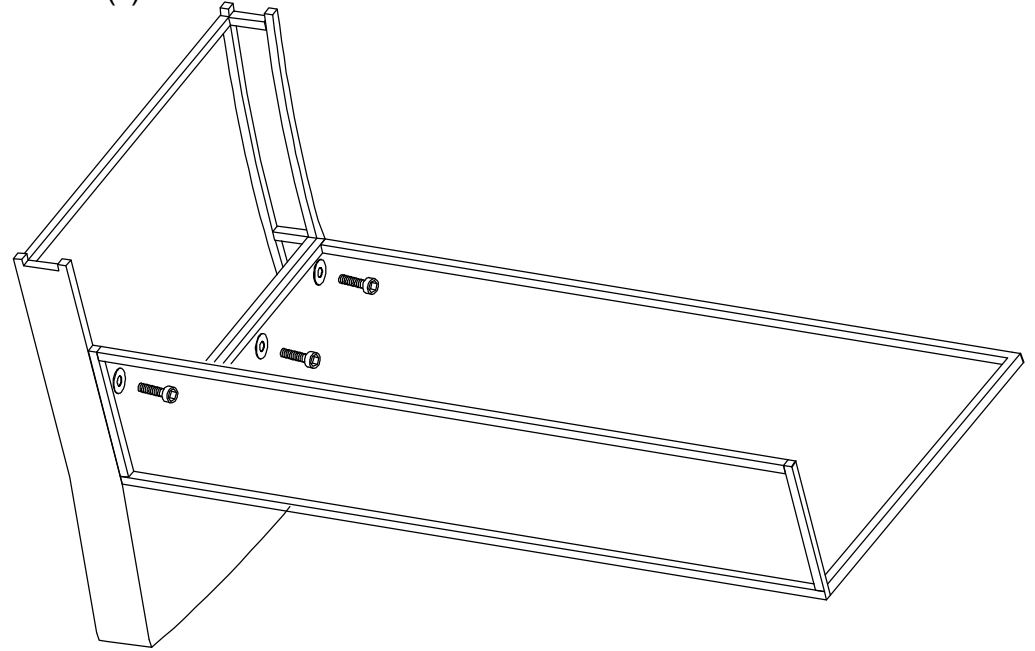
J: 36PCS

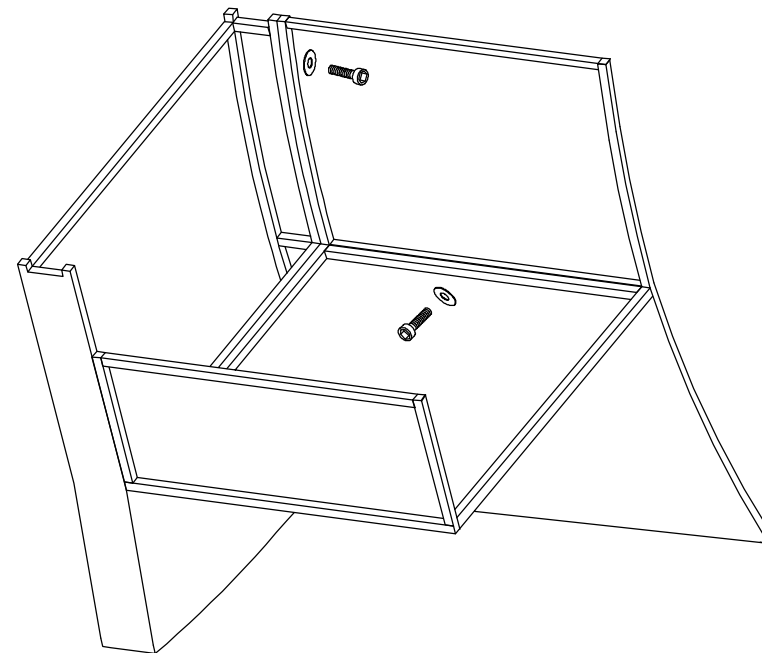
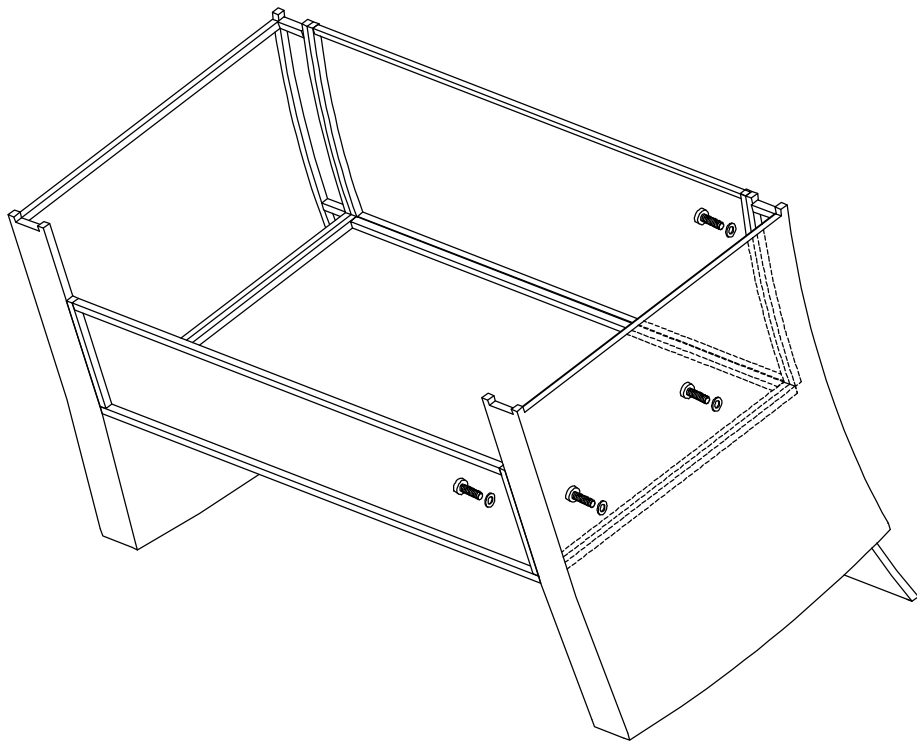


K: 1PC

Do not fully tighten bolts until assembly is complete.

Assemble the sofa arm(A&B) and seat(F) to the backrest(E), using bolt and washer(J).





Assemble the sofa arm(A&B) and seat(D) to the backrest(C),using bolt and washer(J).

