

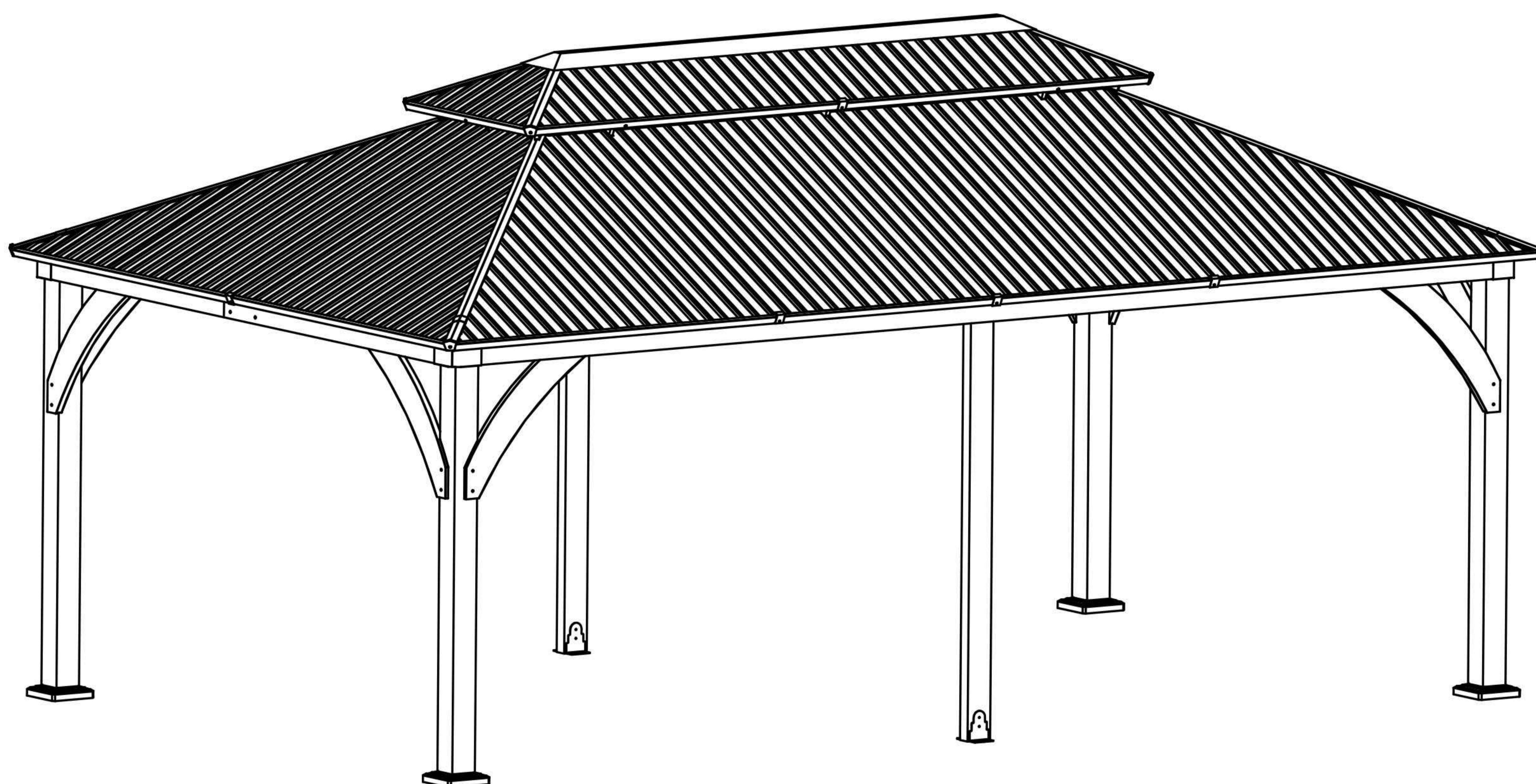
Metal Roof

Cedar Wooden Gazebo

13X19FT

SKU: C001G049WF-1
C001G049WF-2
C001G049WF-3
C001G049WF-4
C001G049WF-5
C001G049WF-6

ASSEMBLY INSTRUCTIONS



Please check the number of parts in the following accessory catalogue when unpacking. We have sent you more small parts for spare. If there is any missing or any questions about the installation. Please feel free to contact us. We will reply within 24 hours.



E-mail: cs.helper01@gmail.com

TOOLS RECOMMENDED

*NOTE: The recommended tools are not included in boxes and need to be prepared by yourself.



DRILL



RUBBER Mallet



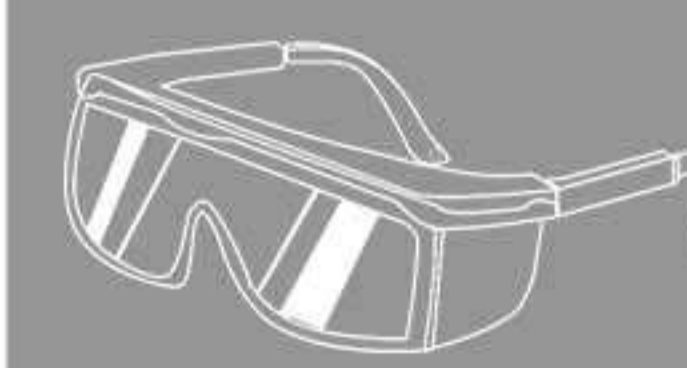
STEPLADDER
(6.5Ft Or More)



SAFETY HAT



GLOVES



SAFETY GOGGLES

ATTENTIONS



Since it is easy to lose many small accessories during the installation, please collect all the screw accessories before the assembly is completed



To better align the screws for practical situations, do not fully tighten screws initially



Please reinforced the Gazebo and do not use in heavy winds or inclement weather



Make sure all screws are tightened before use and check all screws, buckles and straps every 90 days



Two or more people are required for assembly



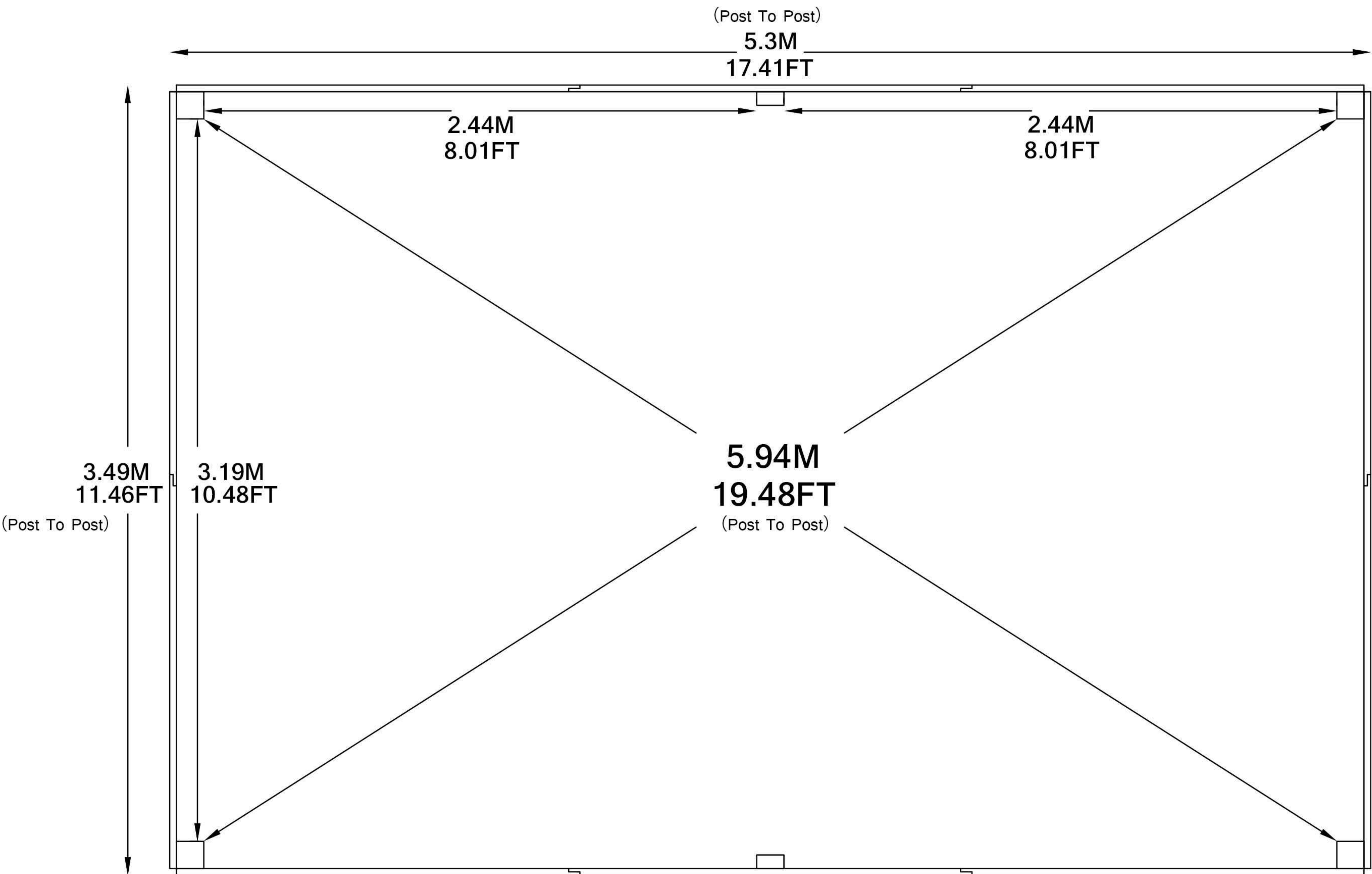
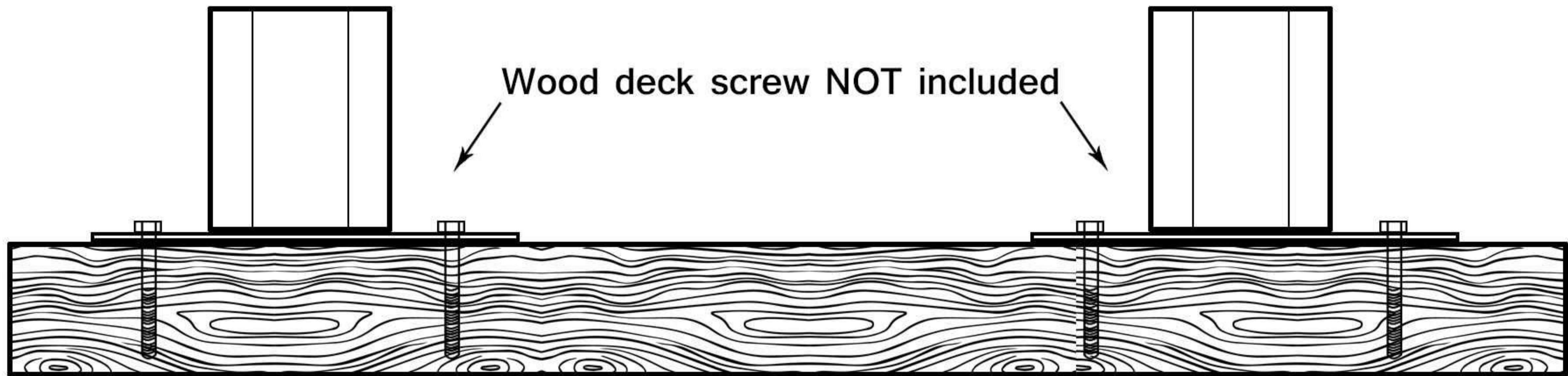
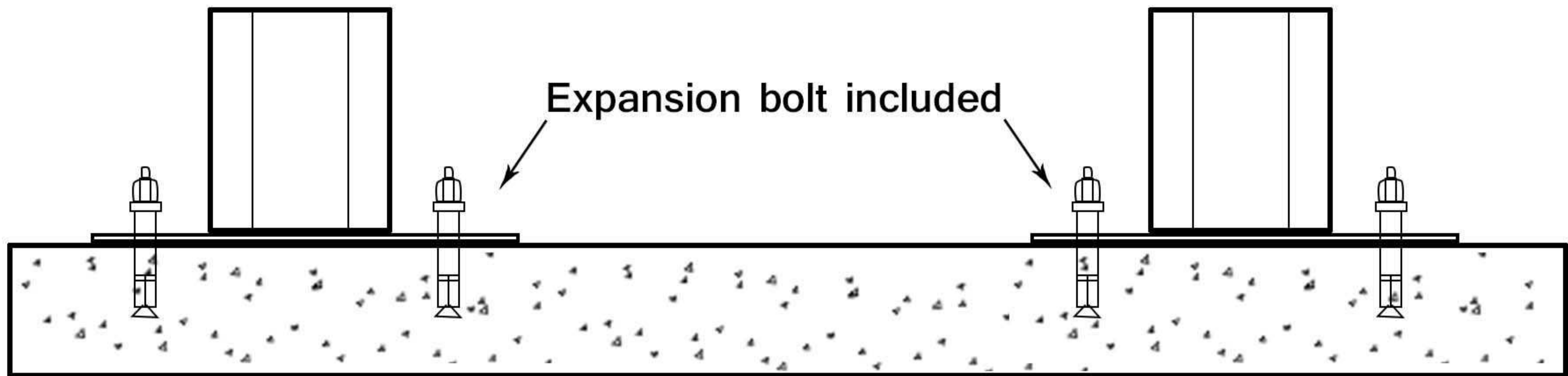
Please clear the snow off the roof in time for the heavy snowfall and do not use it

Please take care of the screws and contact the after-sales service if there is any problem with the installation or parts.



Permanent Installation Examples

Our supporting expansion screws can only be used for cement floors, customers need to bring their own special screws if they are used for wood floors

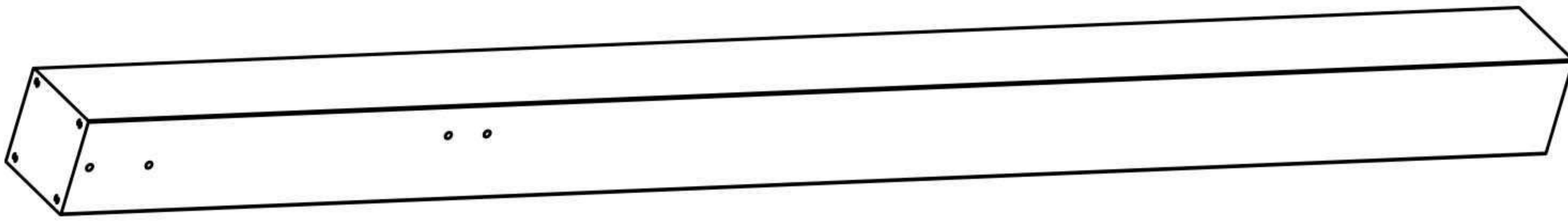
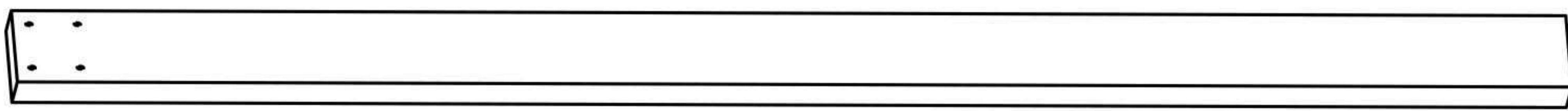
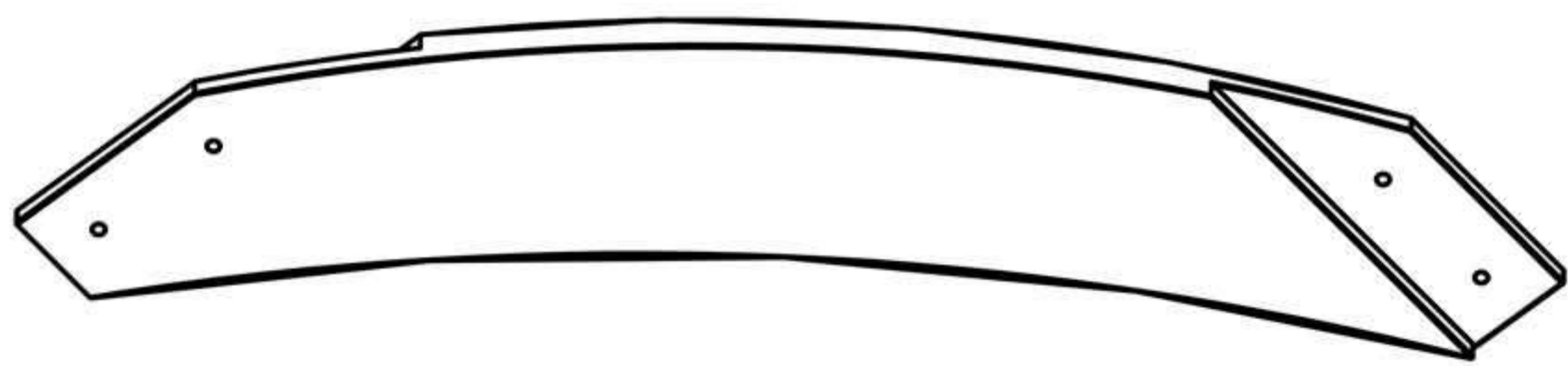

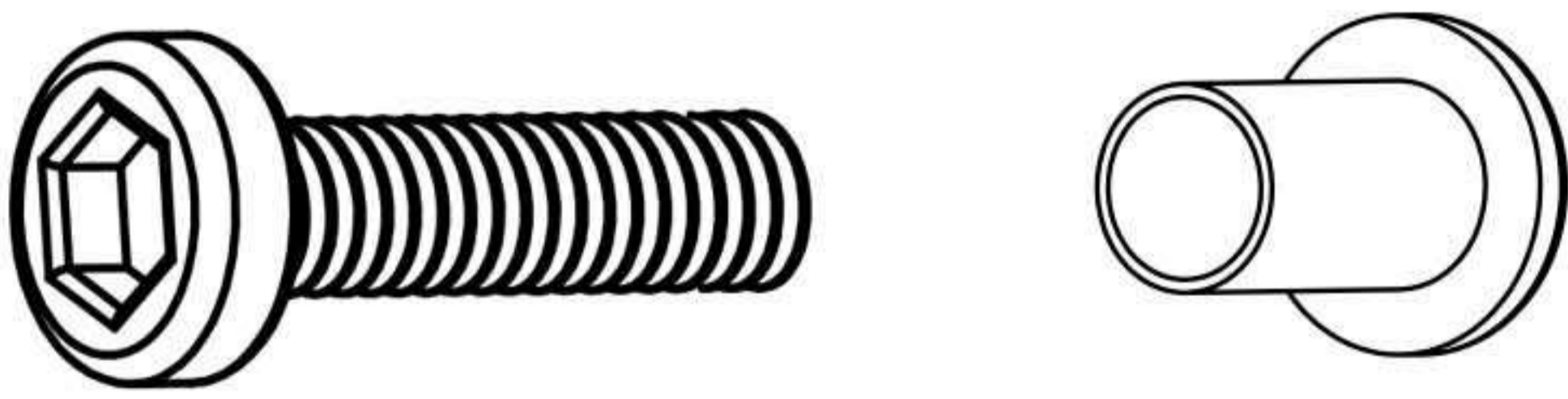
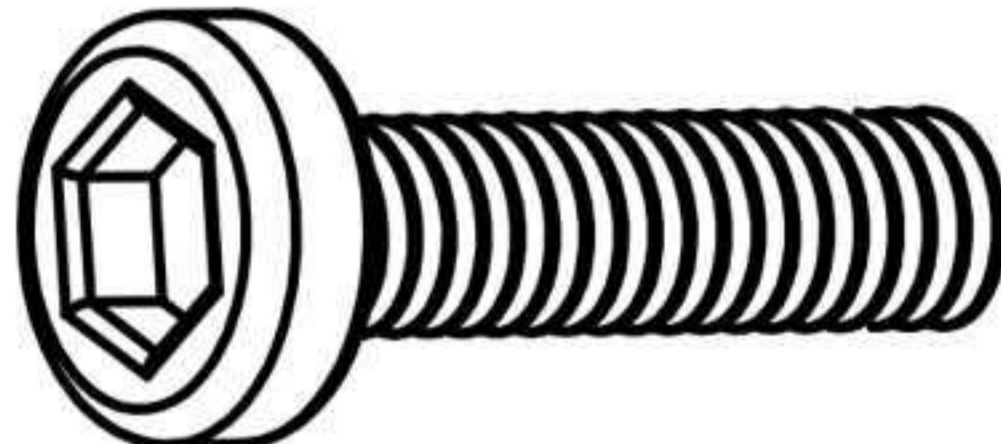
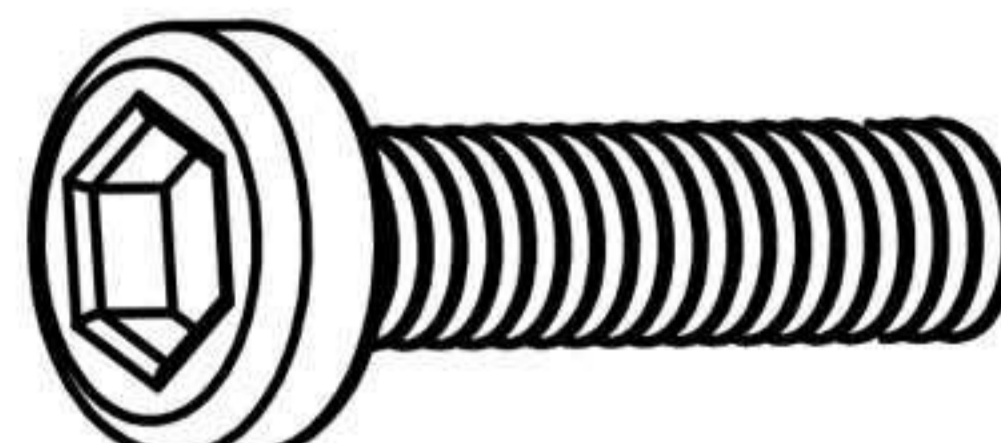
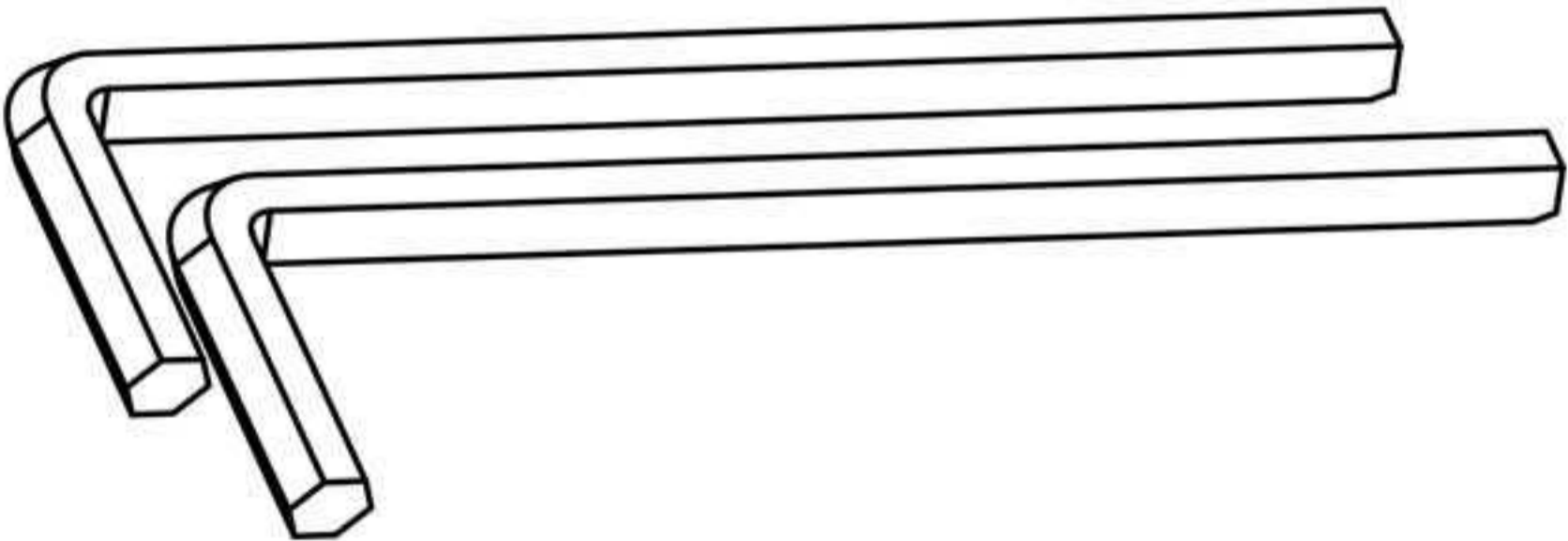


Please take care of the screws and contact the after-sales service if there is any problem with the installation or parts.

➔ ✉ E-mail: cs.helper01@gmail.com

ACCESSORY CATALOGUE

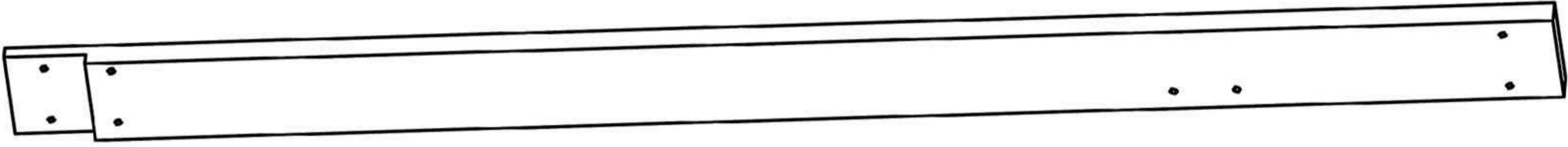
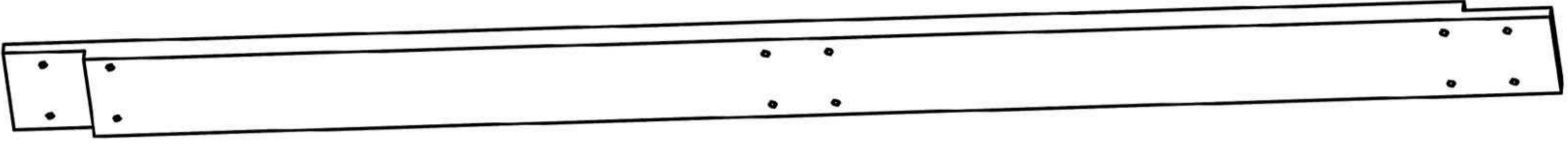
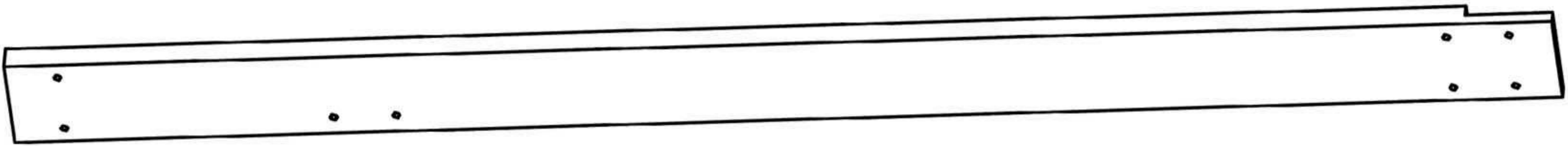
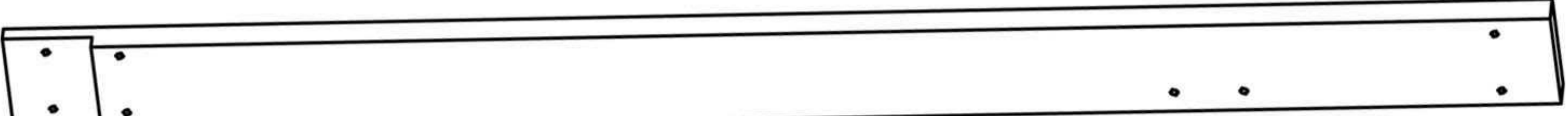
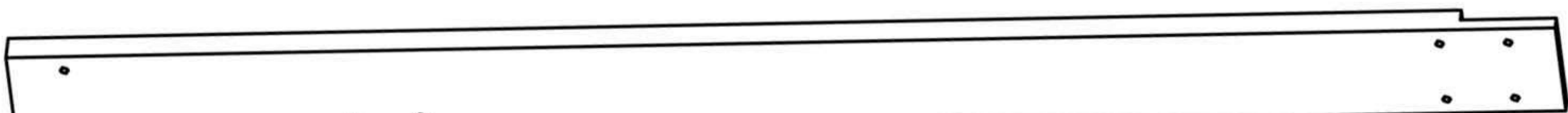
BOX 1 SKU: C001G049WF-1

Item no.	Reference Image	Qty.
A		4
A1		2
F		4
F1		4
X1	 M8X20mm	34
X2	 M8X45mm	24
X3	 M8X35mm	32
1		1

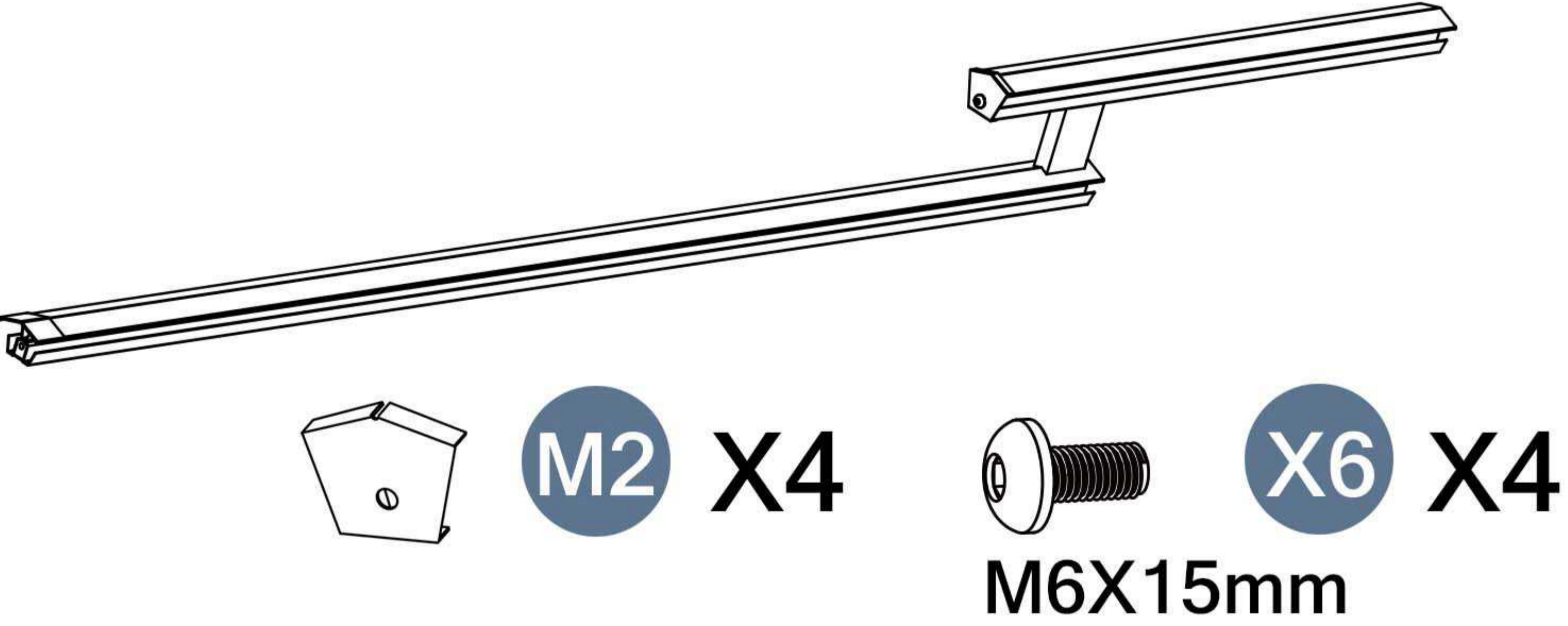
Please take care of the screws and contact the after-sales service if there is any problem with the installation or parts.

ACCESSORY CATALOGUE

BOX 2 SKU: C001G049WF-2

Item no.	Reference Image	Qty.
B		2
B1		2
B2		2
C		2
C1		2

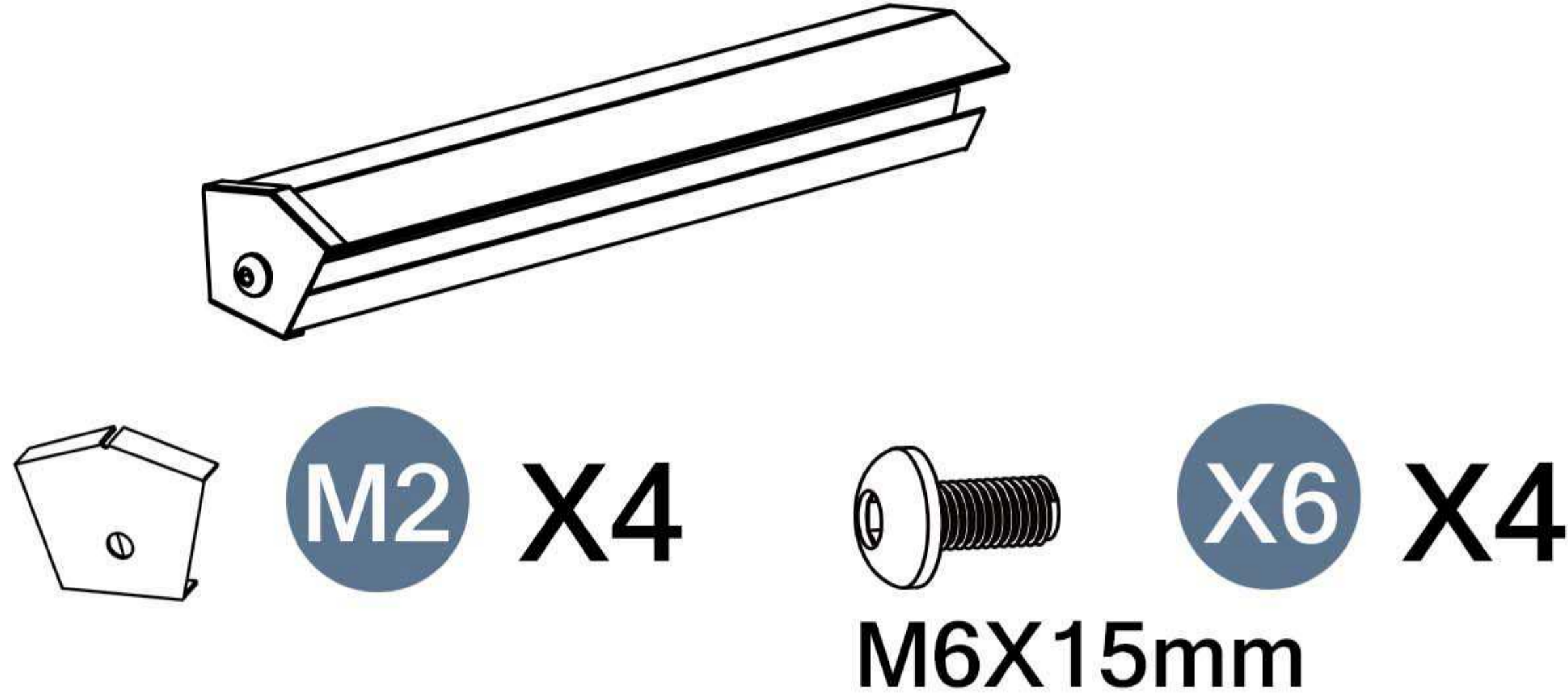
BOX 3 SKU: C001G049WF-3

Item no.	Reference Image	Qty.
E	 <p>M2 X4 X6 X4 M6X15mm</p>	4

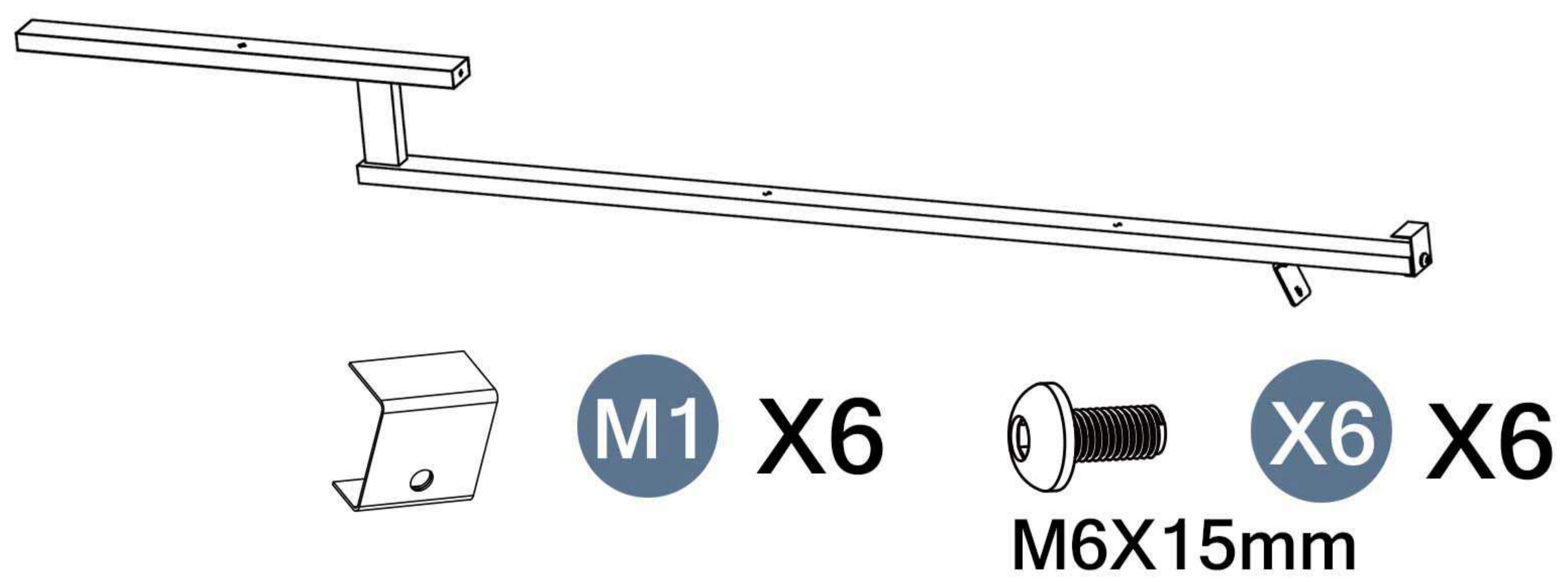
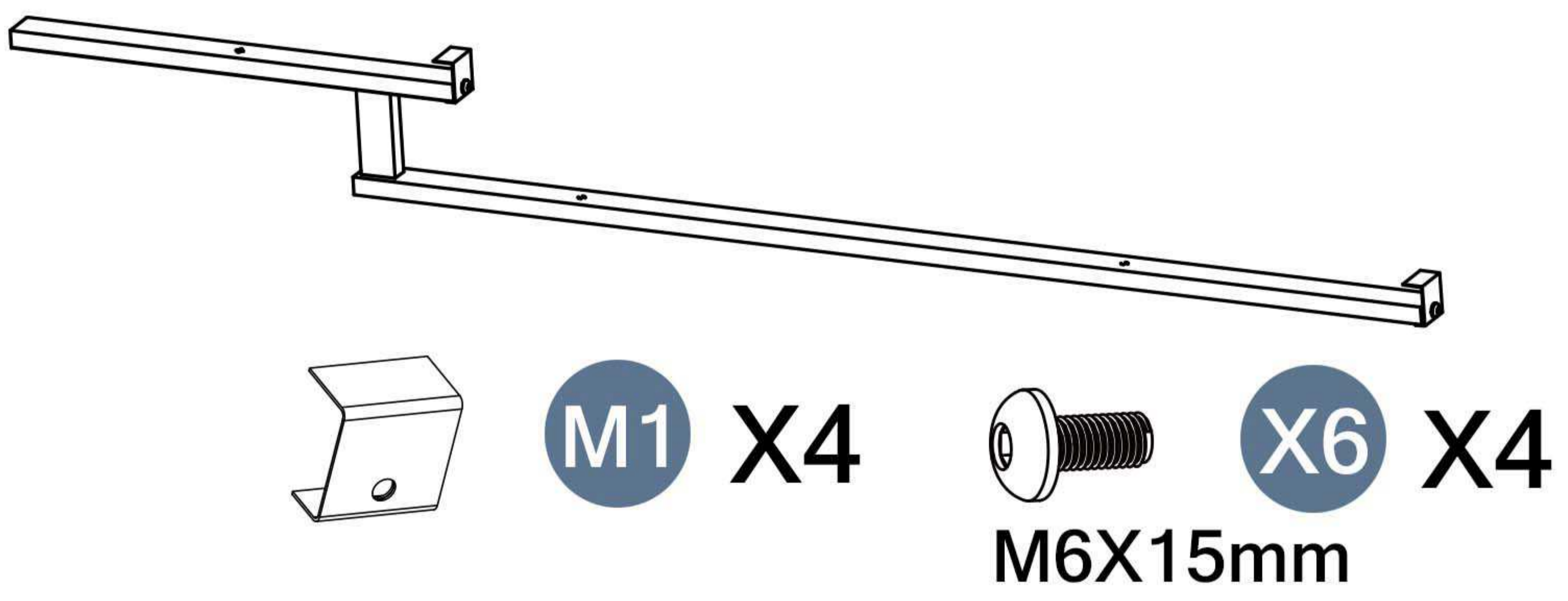
Please take care of the screws and contact the after-sales service if there is any problem with the installation or parts.


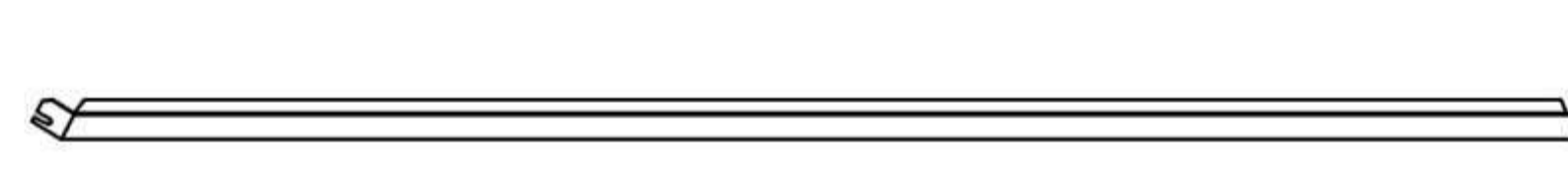
➔ ✉ E-mail: cs.helper01@gmail.com

ACCESSORY CATALOGUE

Item no.	Reference Image	Qty.
E1		4


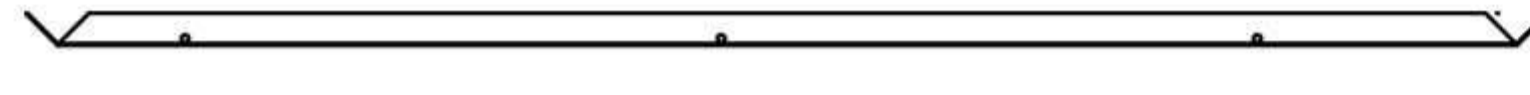


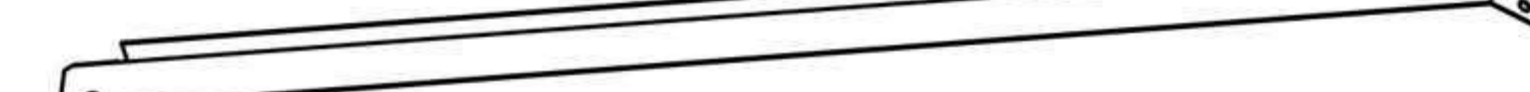

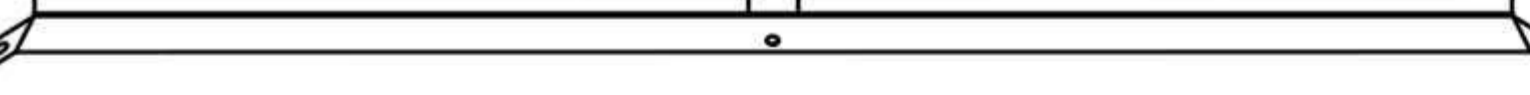

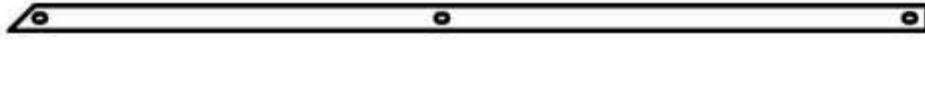

BOX 4 SKU: C001G049WF-4


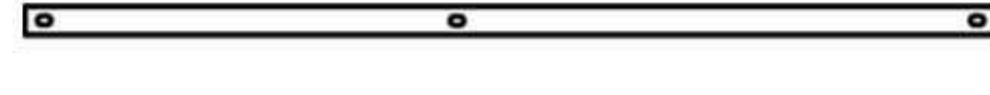
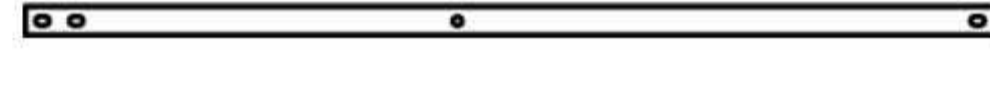
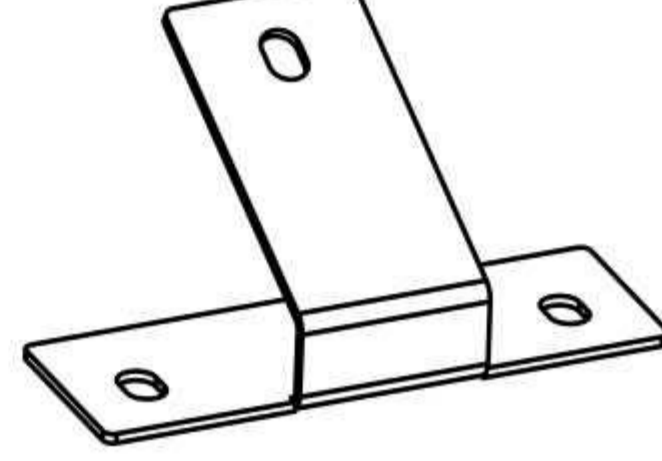
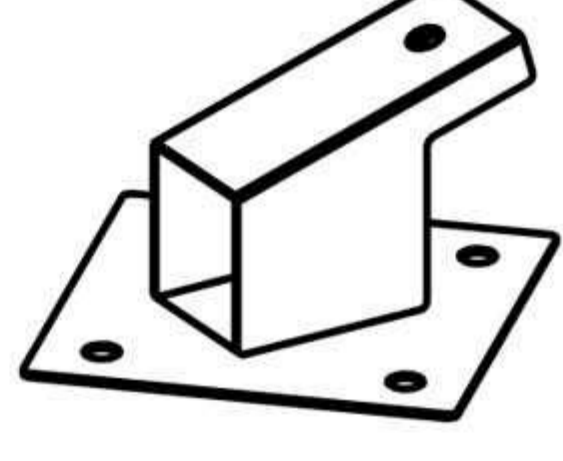
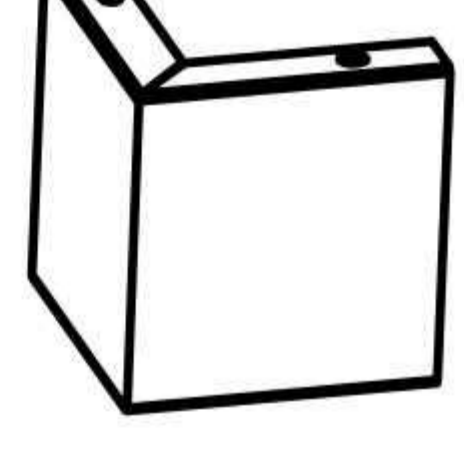


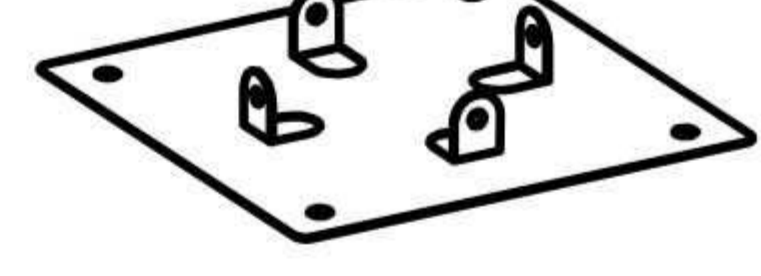
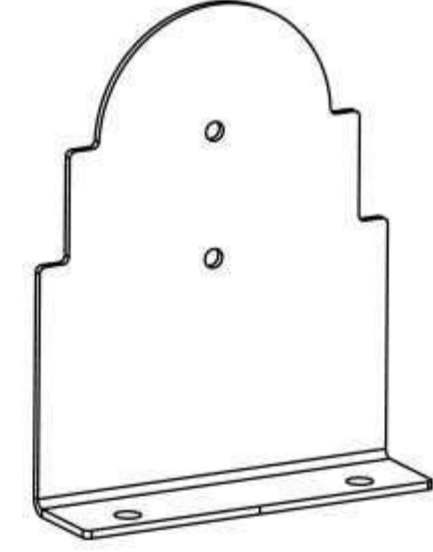
Item no.	Reference Image	Qty.
D		6
D1		2

Item no.	Reference Image	Qty.	Item no.	Reference Image	Qty.
G		4	G1		4

Please take care of the screws and contact the after-sales service if there is any problem with the installation or parts.

ACCESSORY CATALOGUE

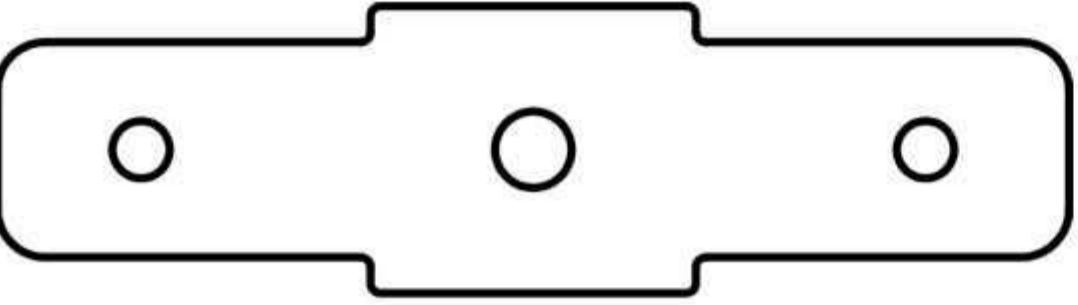
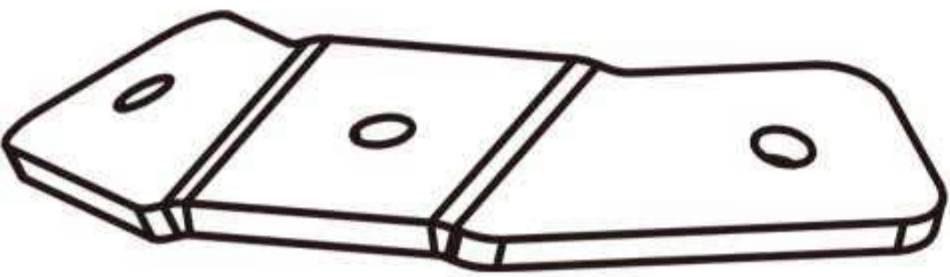
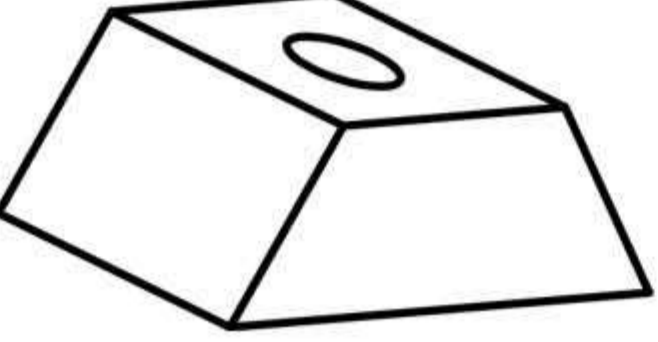
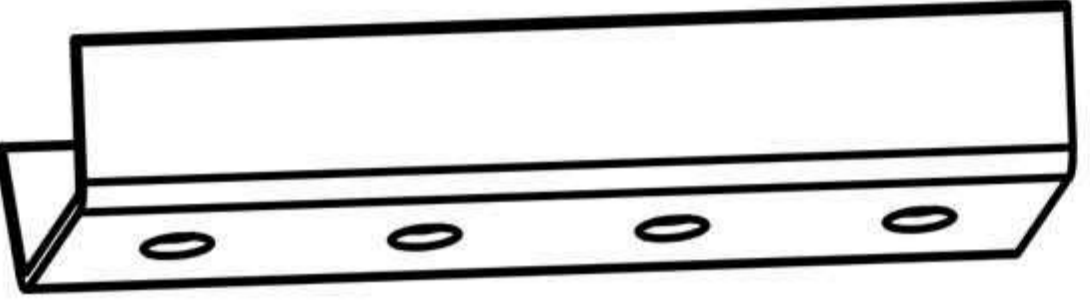
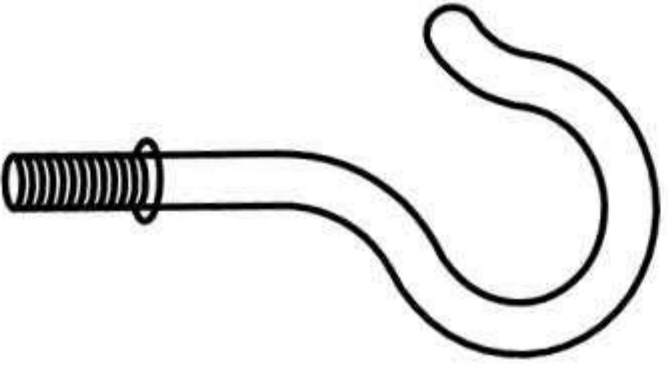
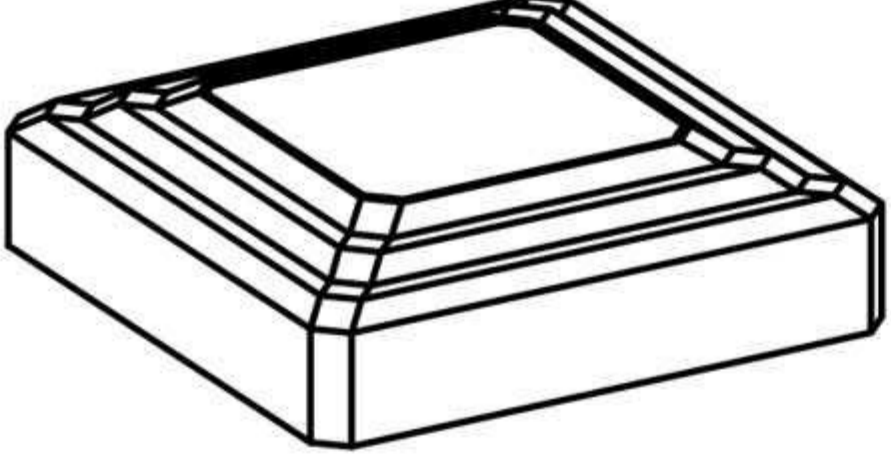
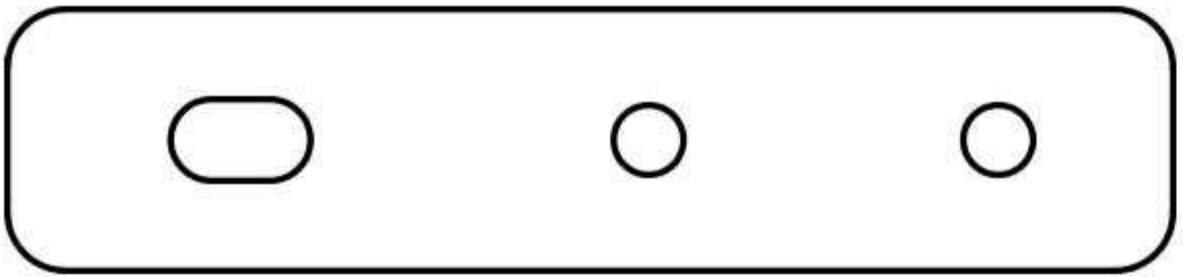
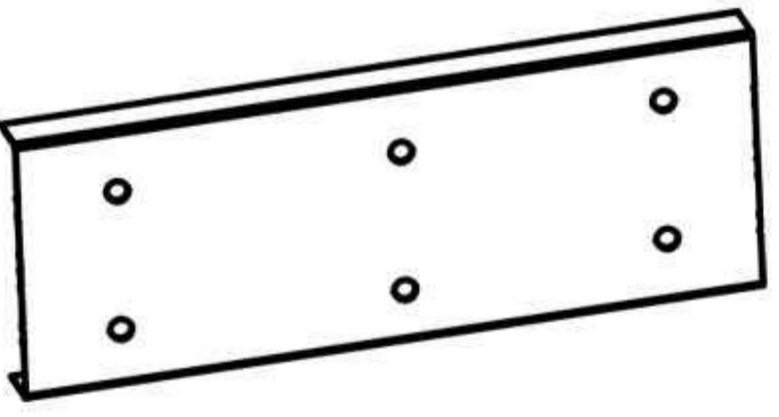
Item no.	Reference Image	Qty.
G2		4
G5		2
G6		2
G7		2
G8		2
G9		2
G10		2
H		4
H1		4
H2		4

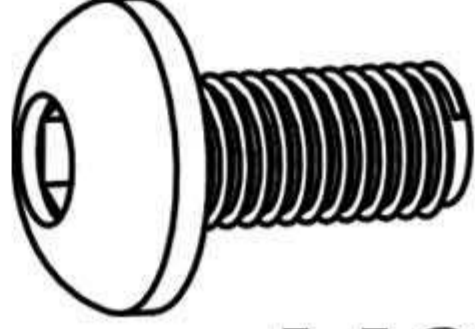
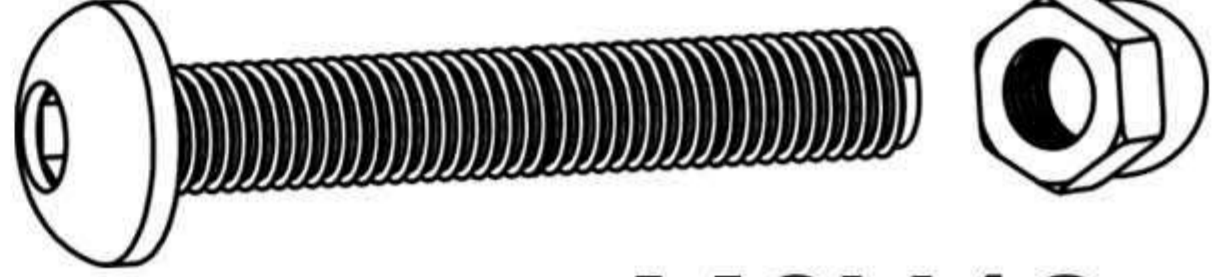
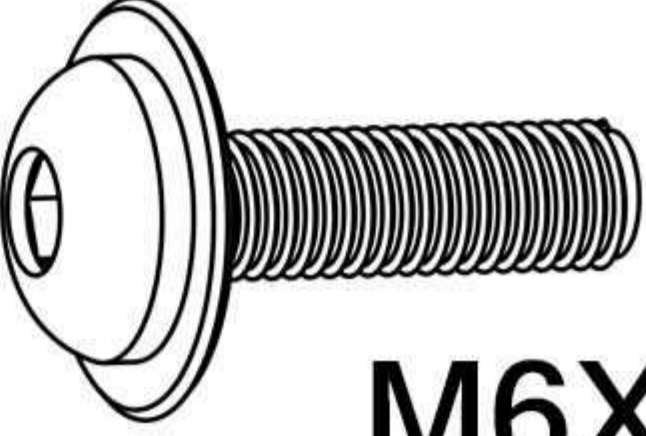
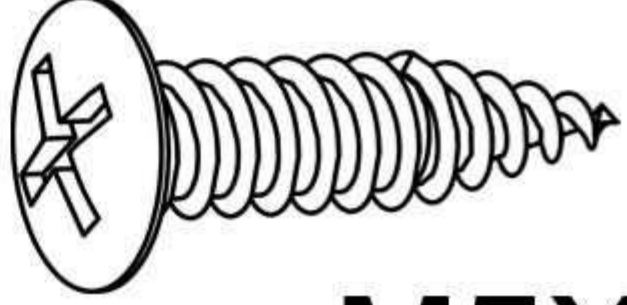
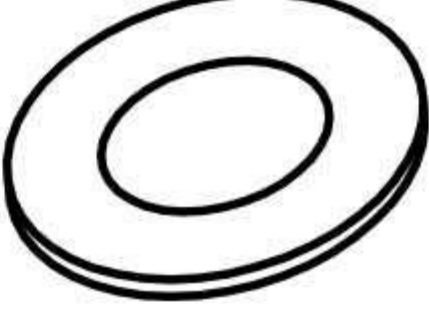
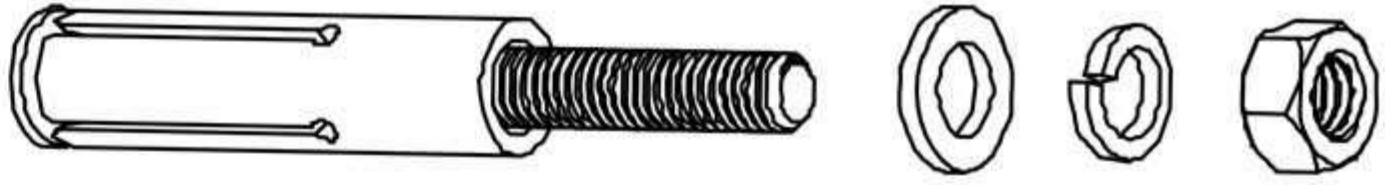
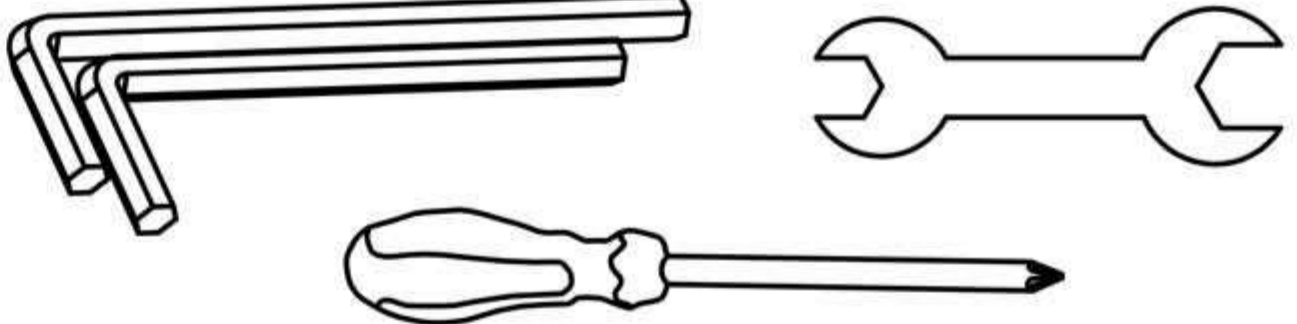
Item no.	Reference Image	Qty.
H3		4
H4		8
H5		4
I		2
I1		4
J1		4
K		1
K1		1
L		4
L1		4

Please take care of the screws and contact the after-sales service if there is any problem with the installation or parts.

➔ ✉ E-mail: cs.helper01@gmail.com

ACCESSORY CATALOGUE

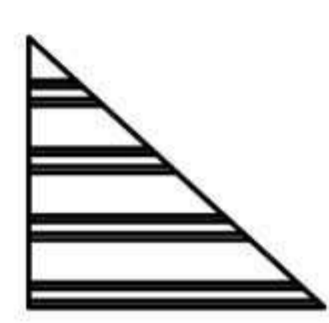
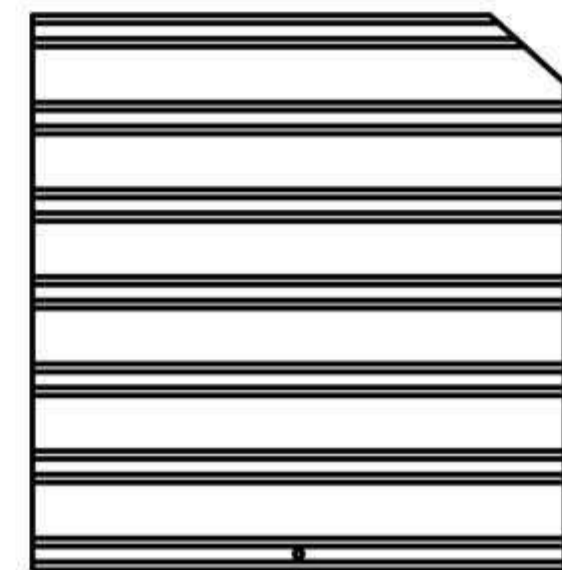
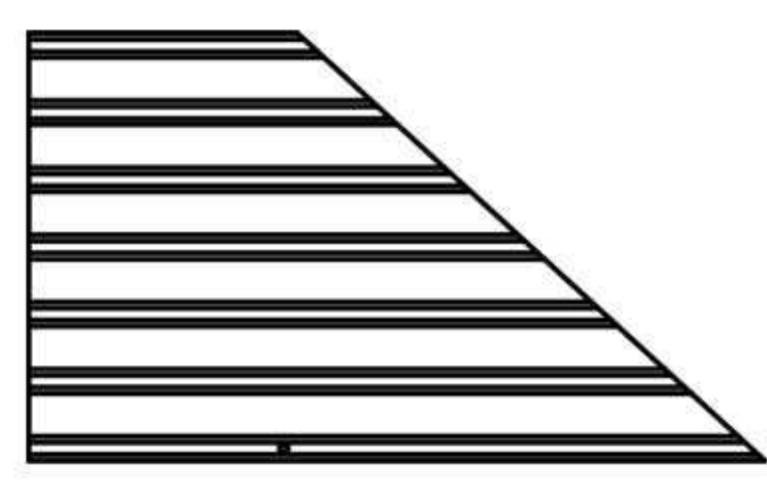
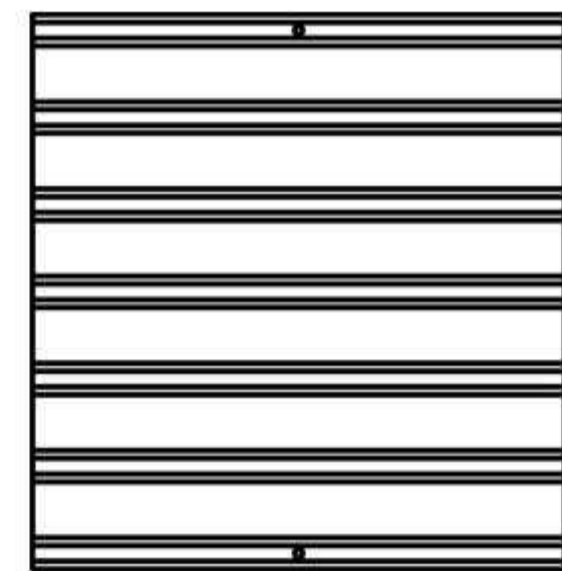
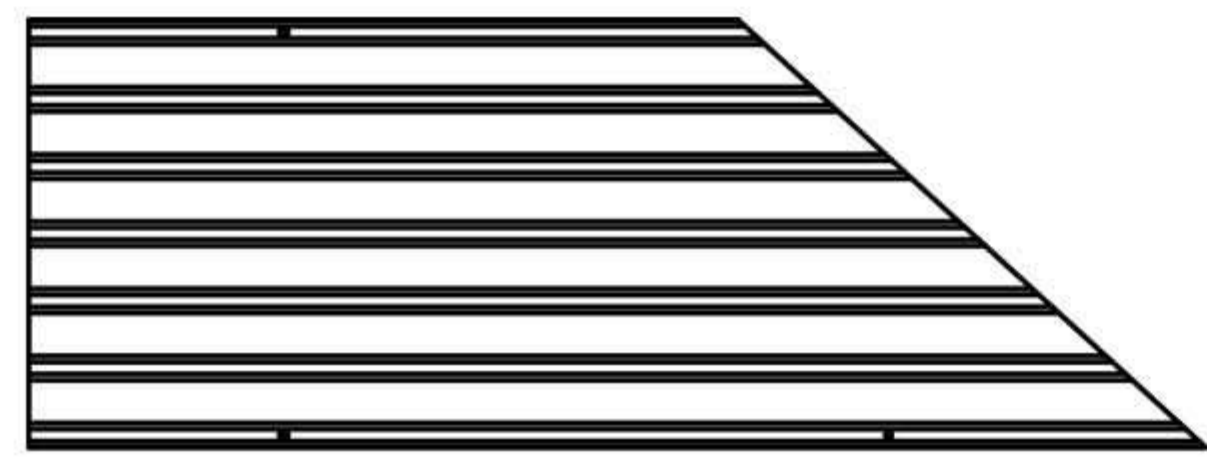
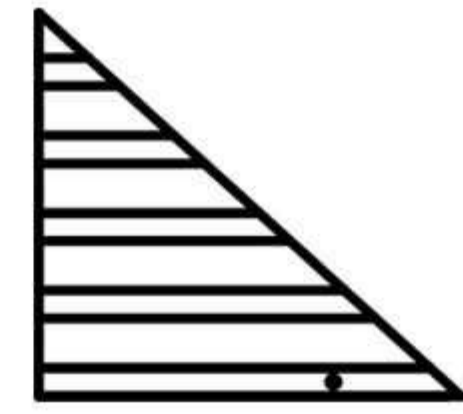
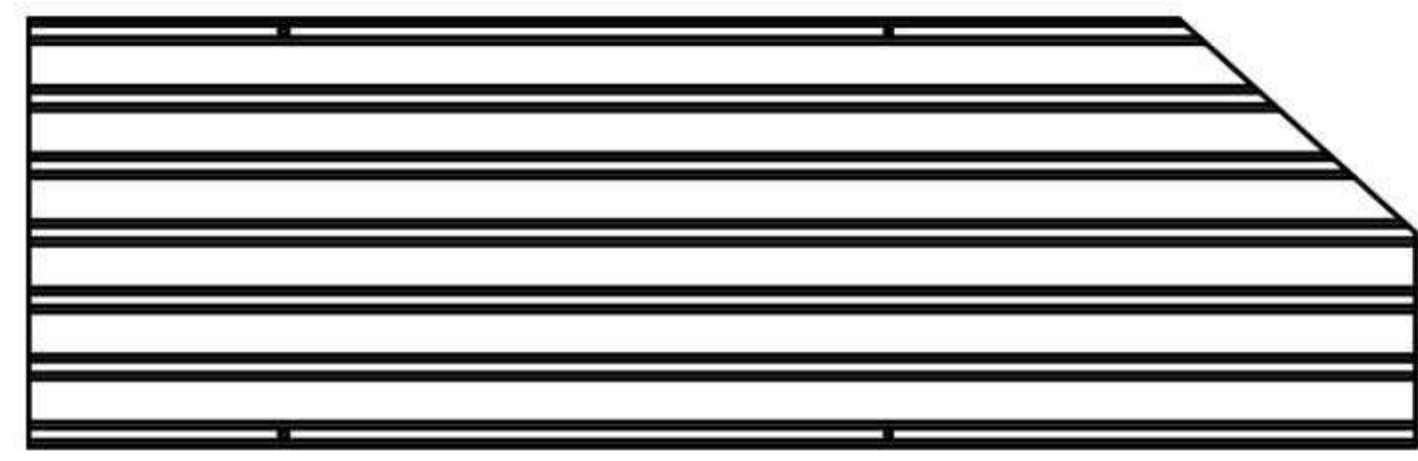
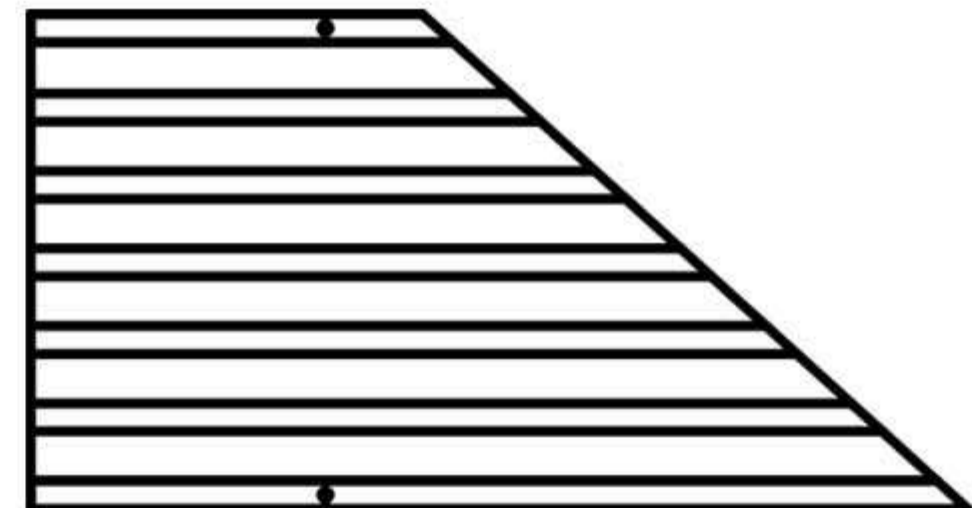
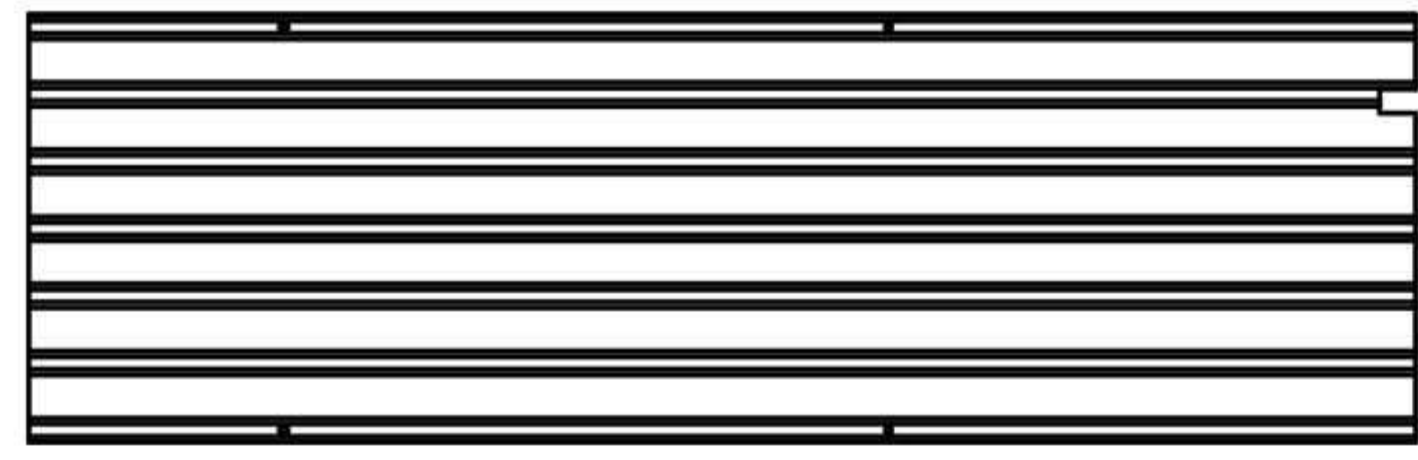
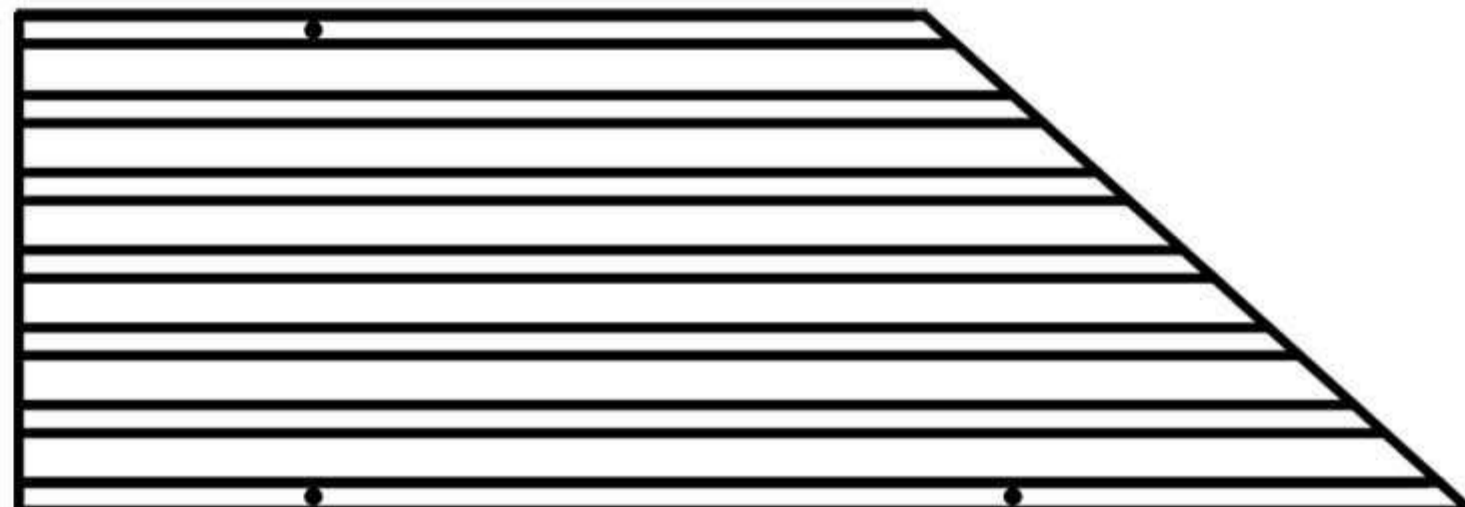

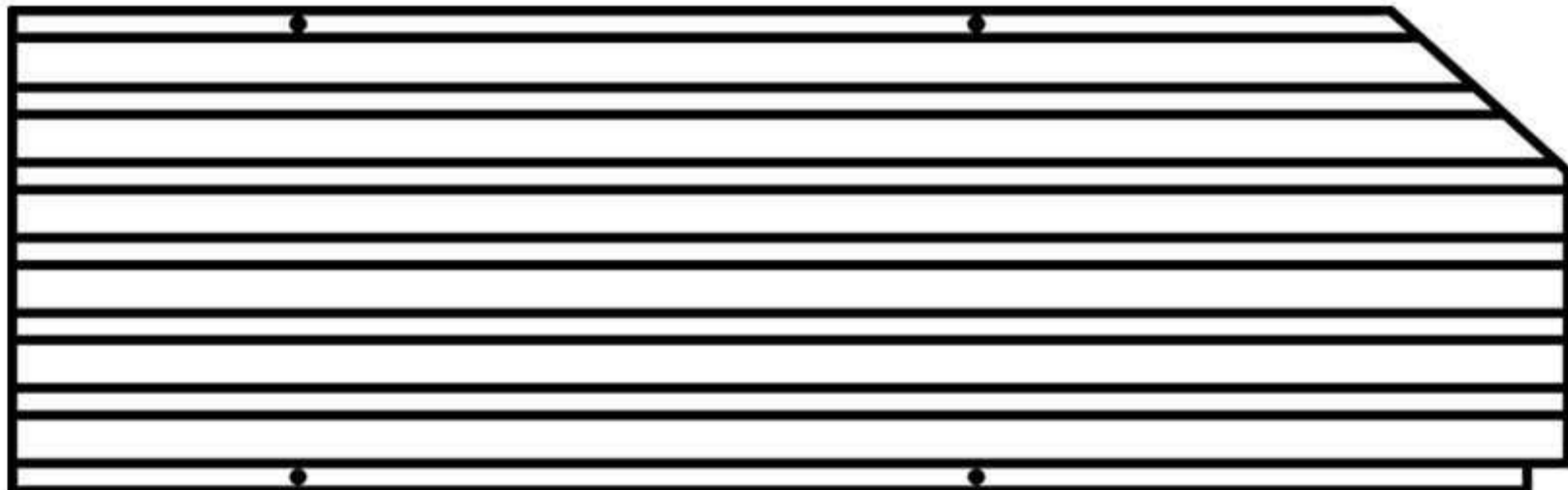
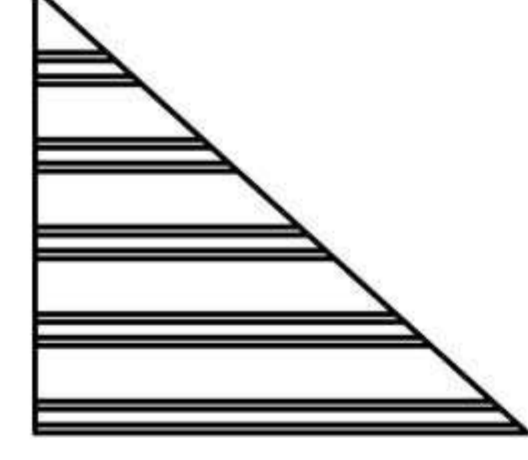
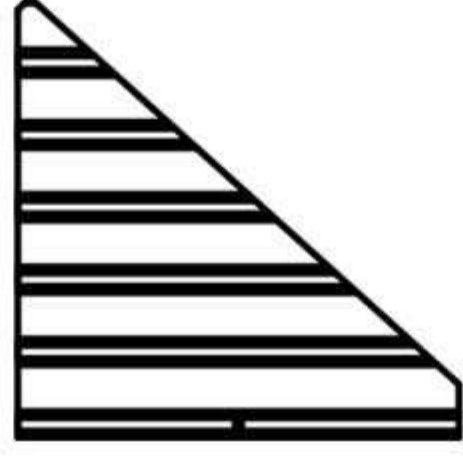
Item no.	Reference Image	Qty.
M3		18
M4		8
M5		60
M6		4
M7		2
M8		4
M9		4
T		6

Item no.	Reference Image	Qty.
X6	 M6X15mm	161
X7	 M6X42mm	62
X8	 M6X30mm	4
X9	 M5X15mm	44
W		16
2		10
3		1

Please take care of the screws and contact the after-sales service if there is any problem with the installation or parts.

ACCESSORY CATALOGUE

BOX 5 SKU: C001G049WF-5

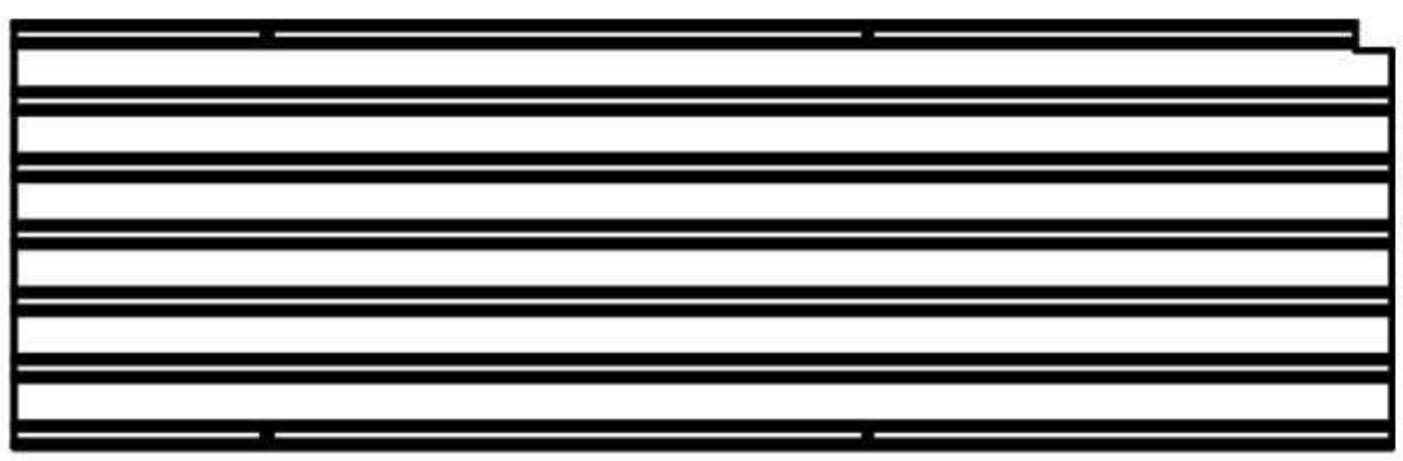
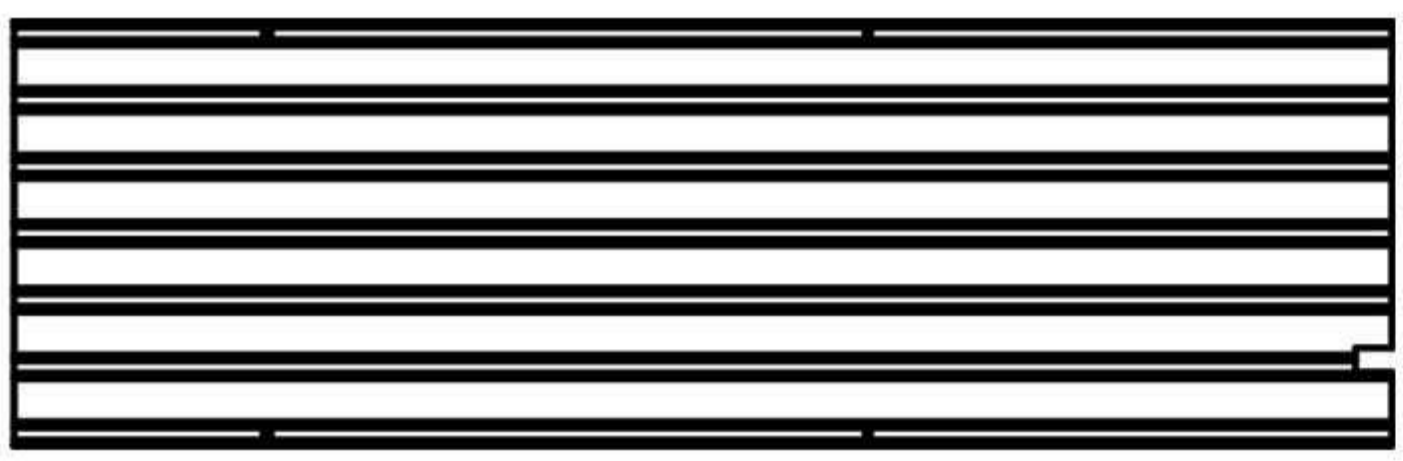
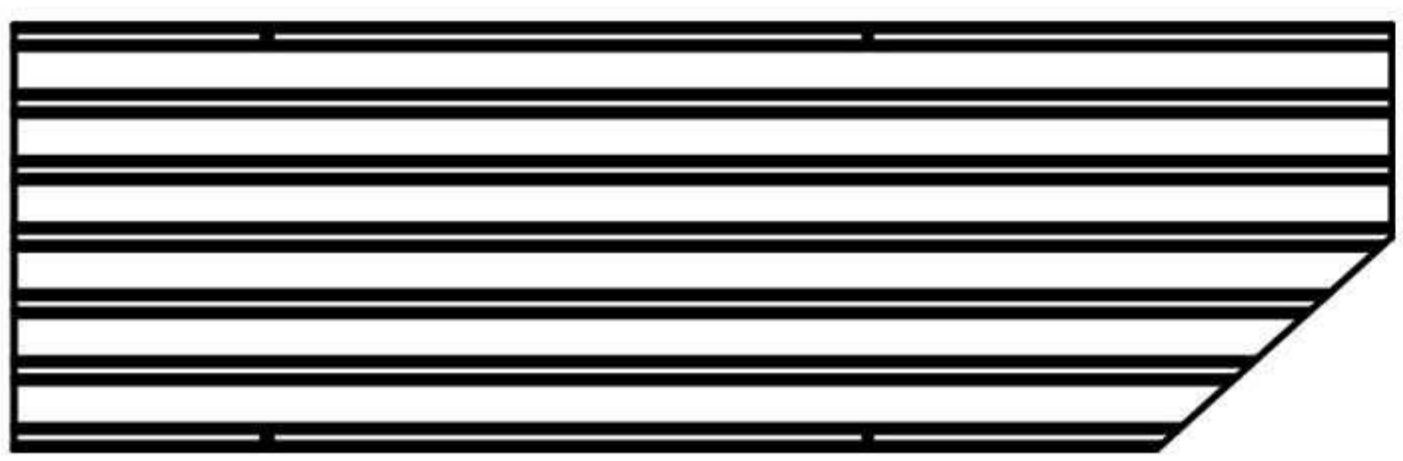
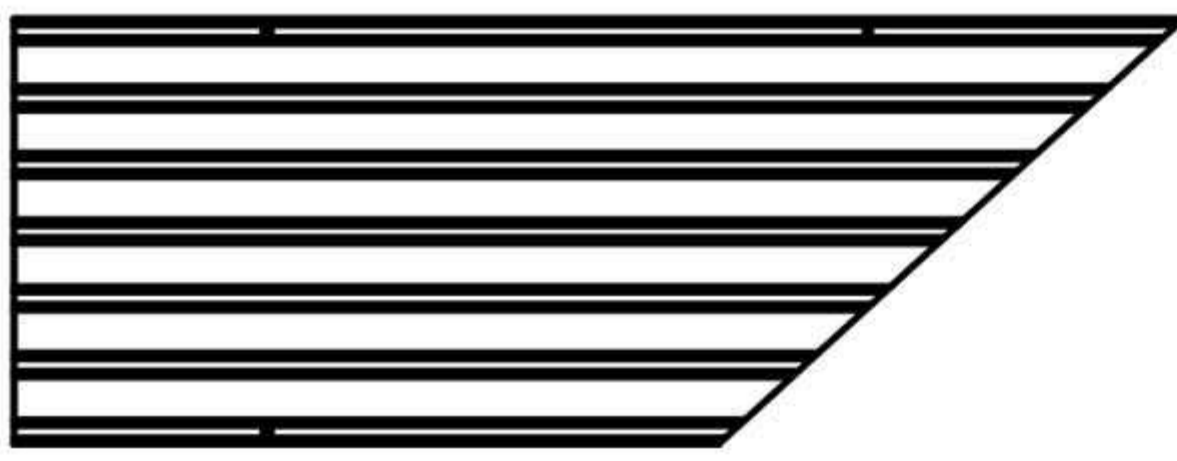
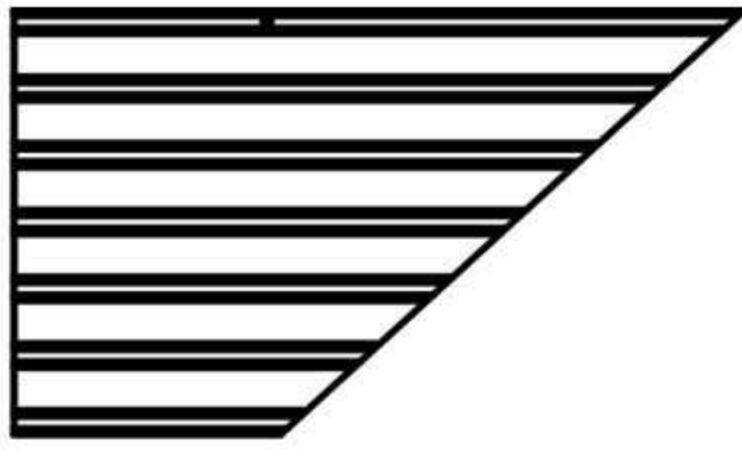

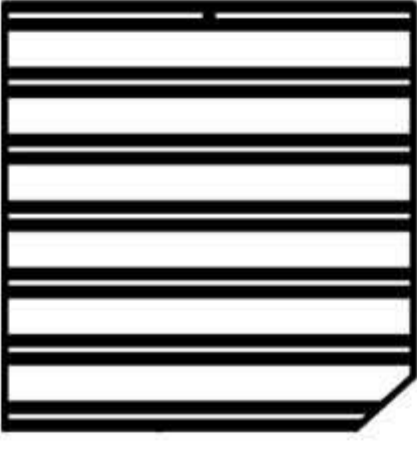
Item no.	Reference Image	Qty.	Item no.	Reference Image	Qty.
N1		2	N7		2
N2		2	N8		4
N3		2	O1		2
N4		2	O2		2
N5		2	O3		2
N		2	O4		2
N6		2	O5		2

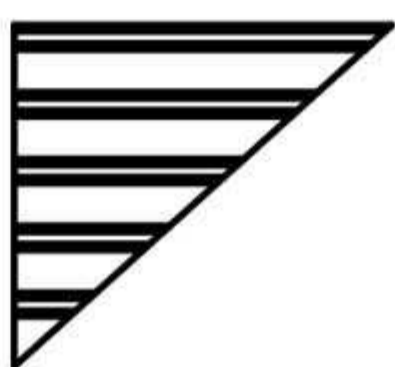
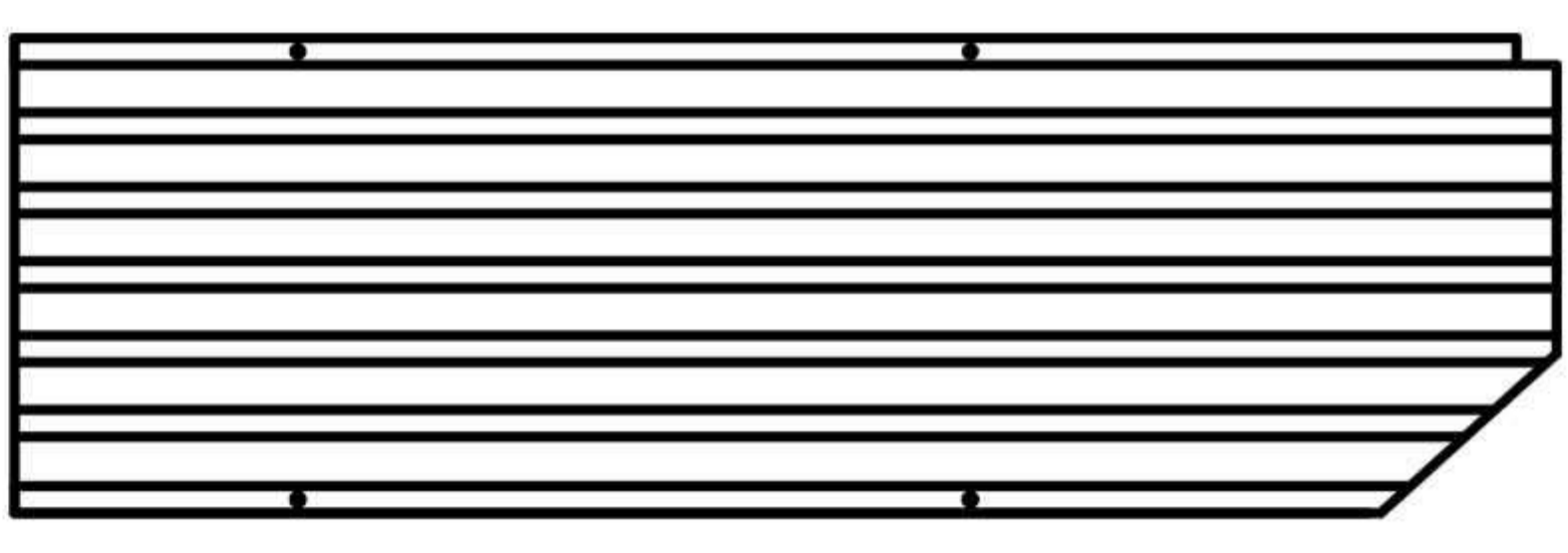
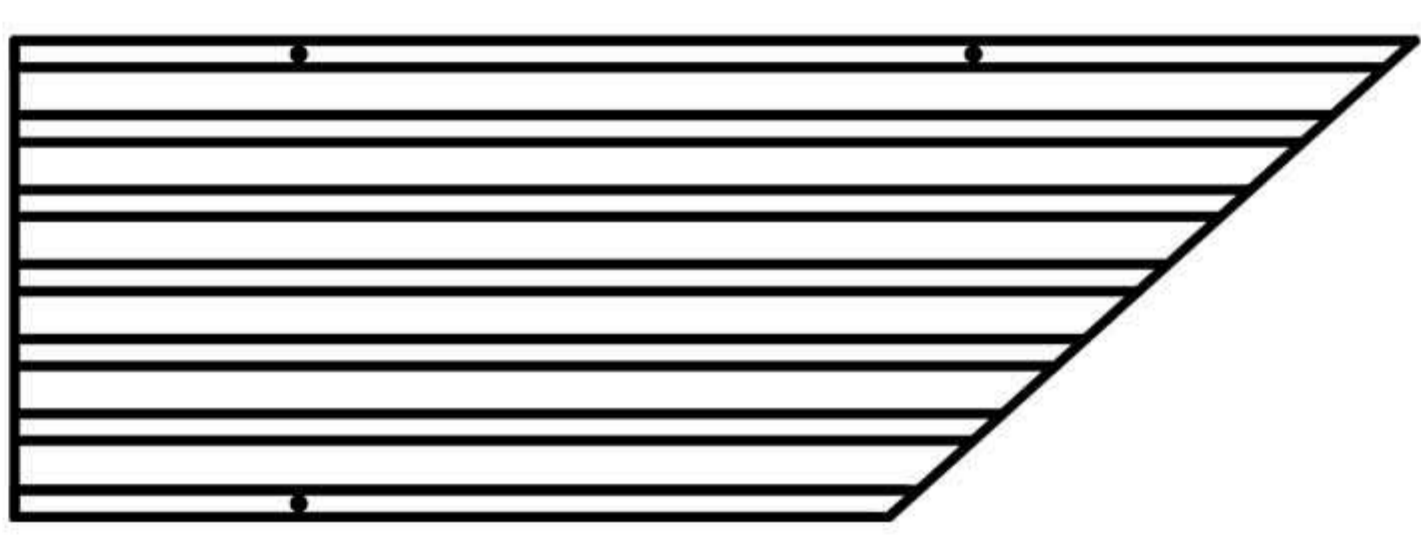
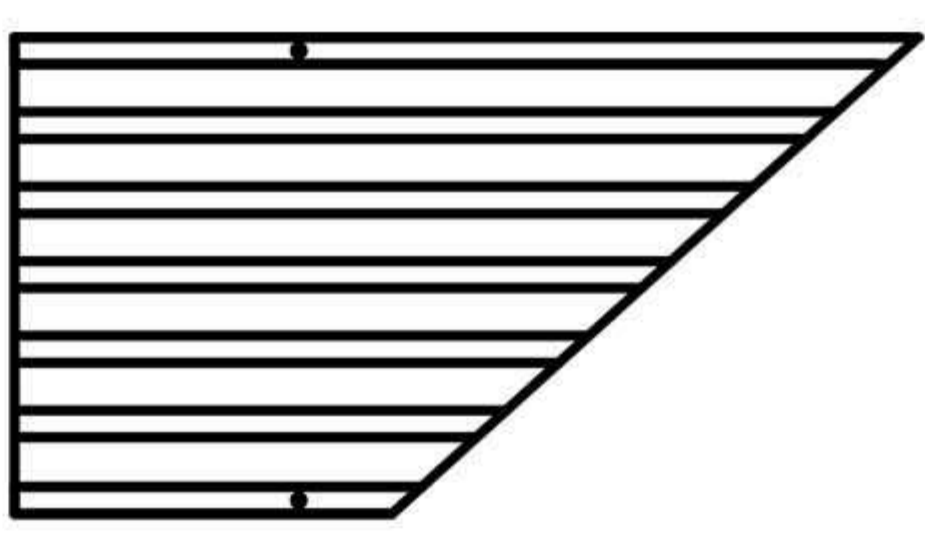
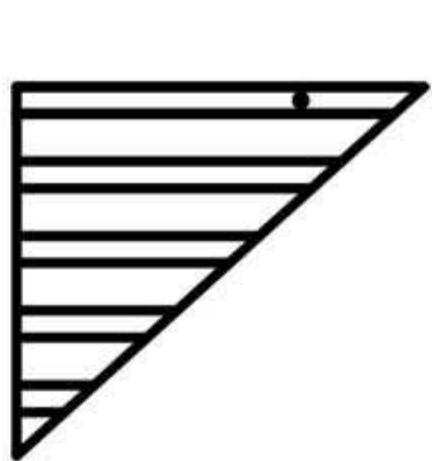
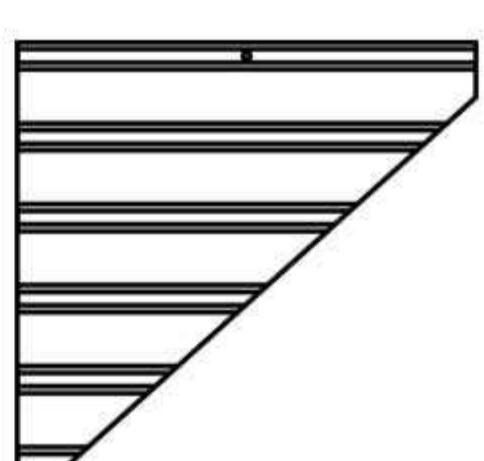
Please take care of the screws and contact the after-sales service if there is any problem with the installation or parts.

➔ ✉ E-mail: cs.helper01@gmail.com

ACCESSORY CATALOGUE

BOX 6 SKU: C001G049WF-6

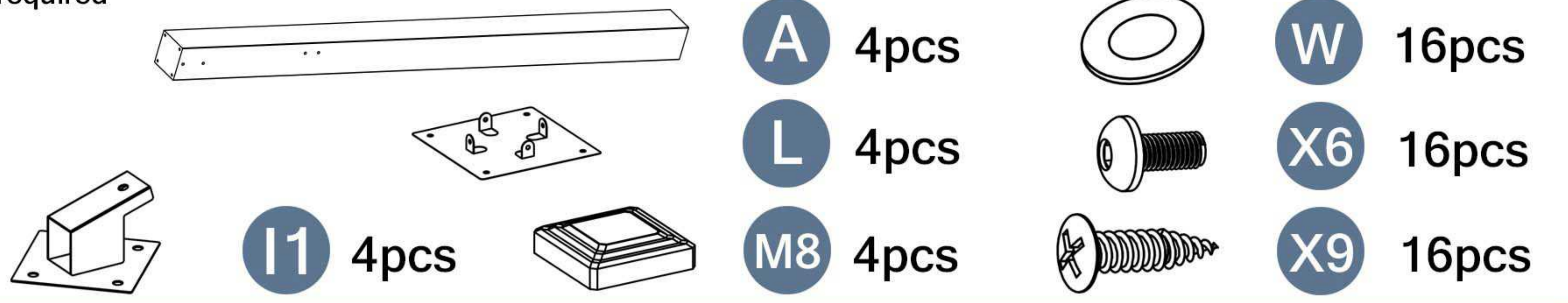
Item no.	Reference Image	Qty.
Y		2
Y5		2
Y4		2
Y3		2
Y2		2
Y1		2
Y7		2

Item no.	Reference Image	Qty.
Y6		2
V4		2
V3		2
V2		2
V1		2
V5		2

Please take care of the screws and contact the after-sales service if there is any problem with the installation or parts.

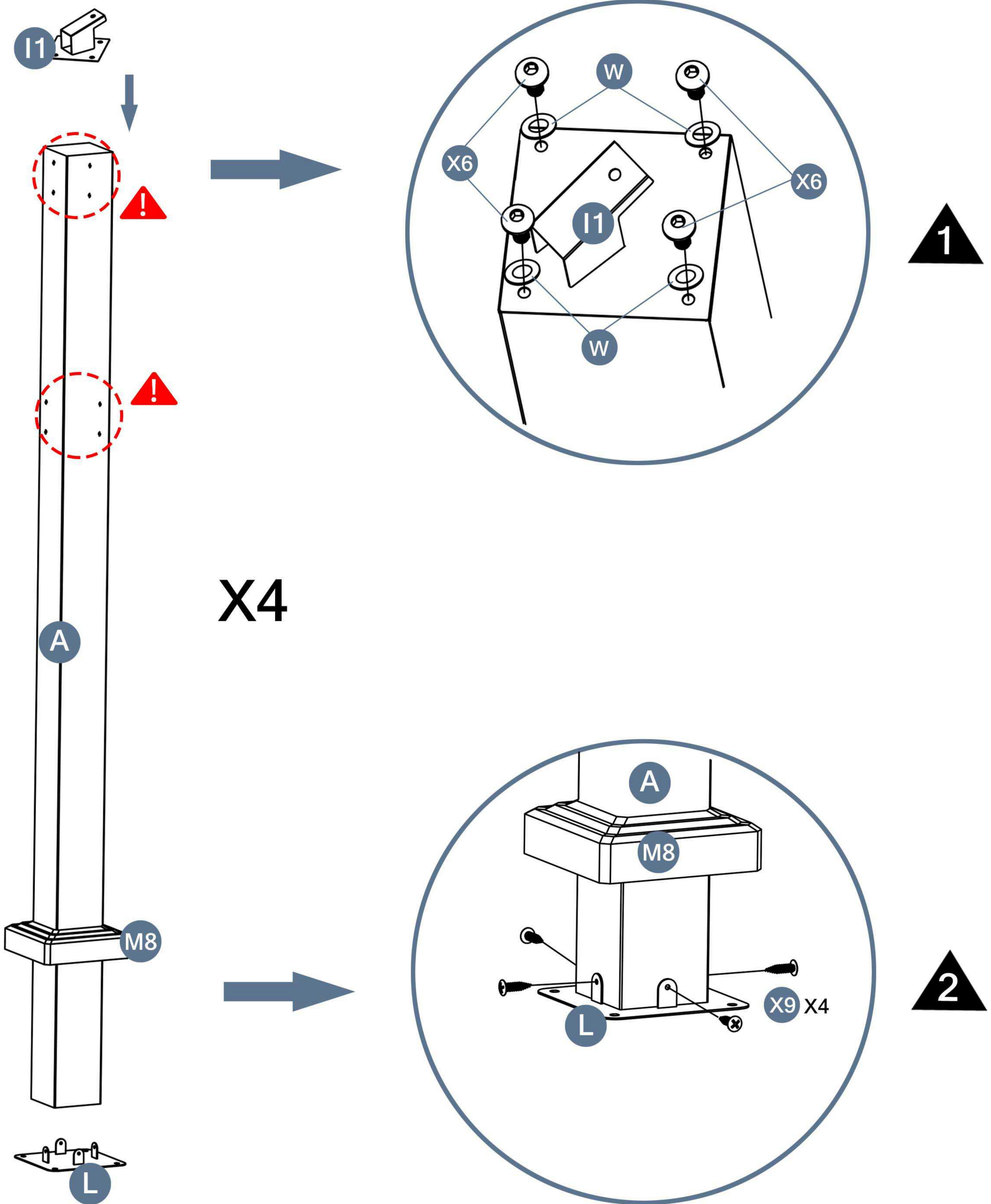
STEP 1

Parts required



1 → 2

⚠ Please note the orientation of the hole.

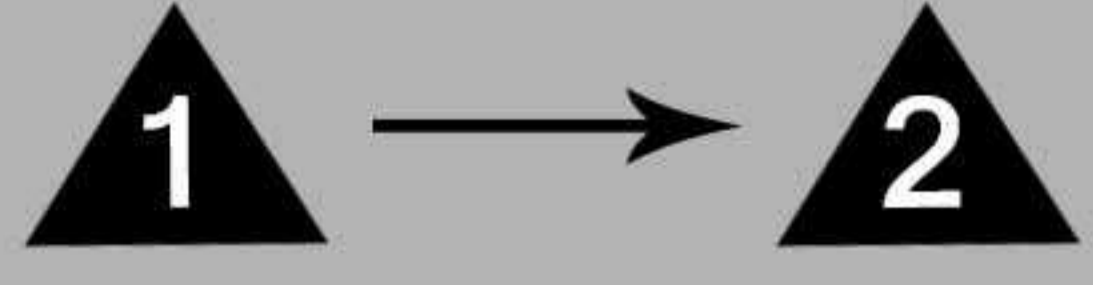
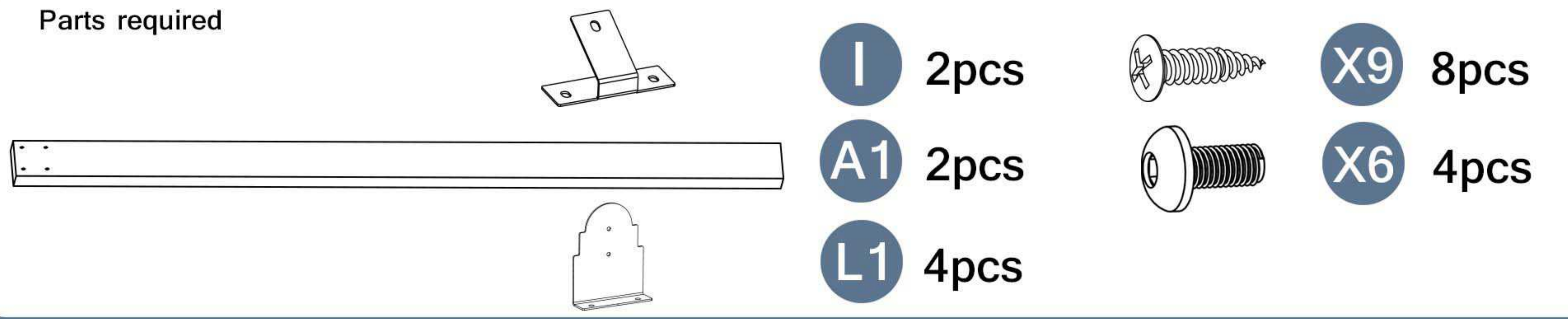


Please take care of the screws and contact the after-sales service if there is any problem with the installation or parts.

➔ ✉ E-mail: cs.helper01@gmail.com

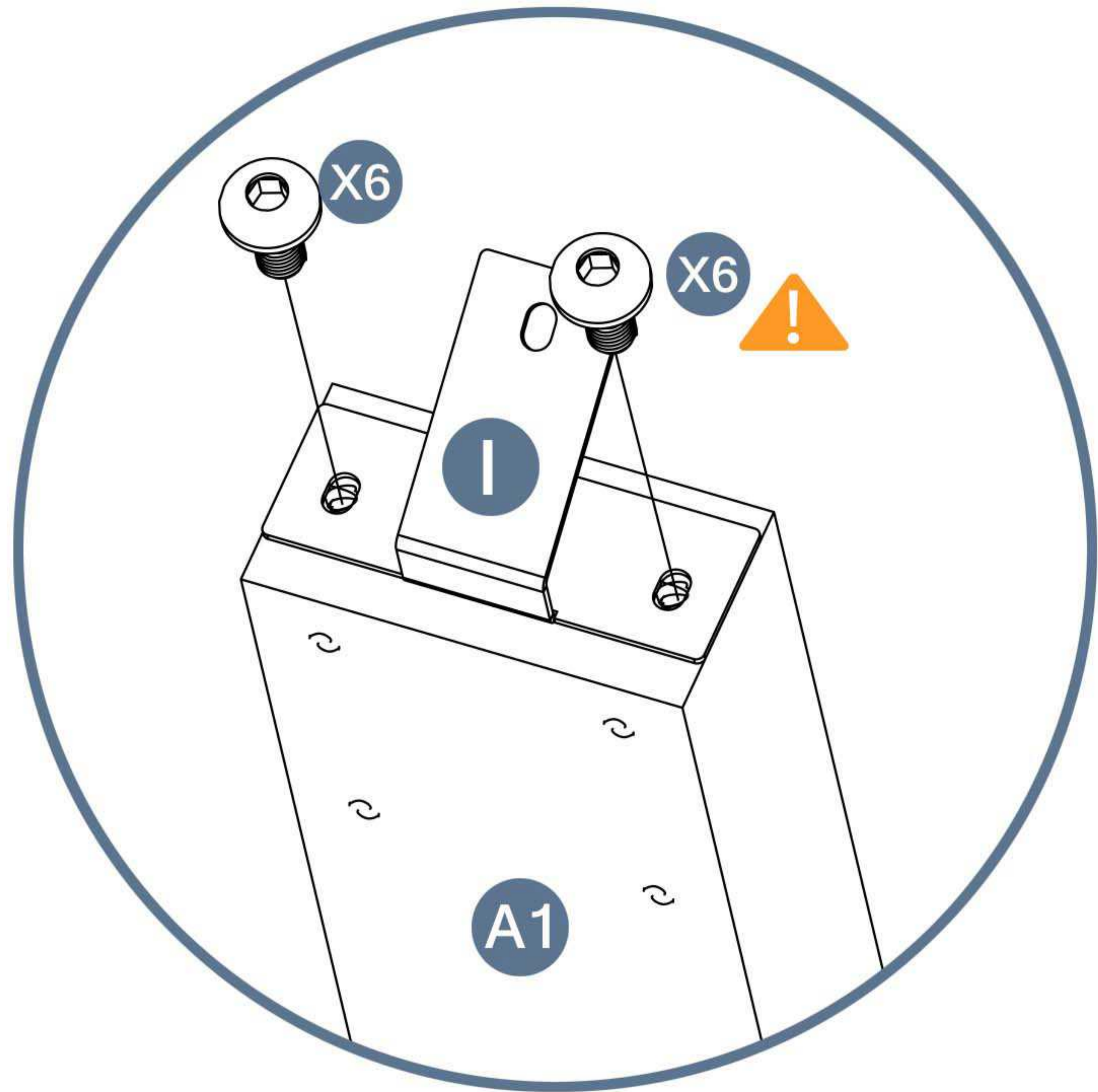
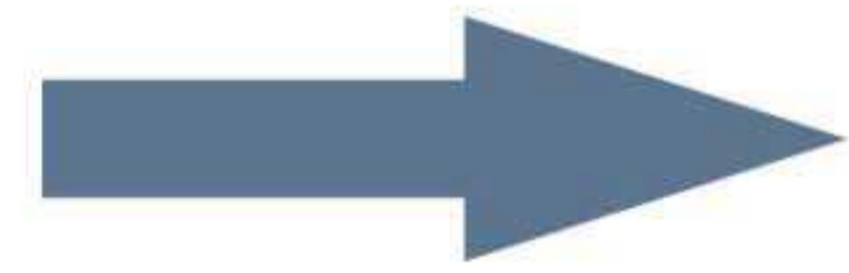
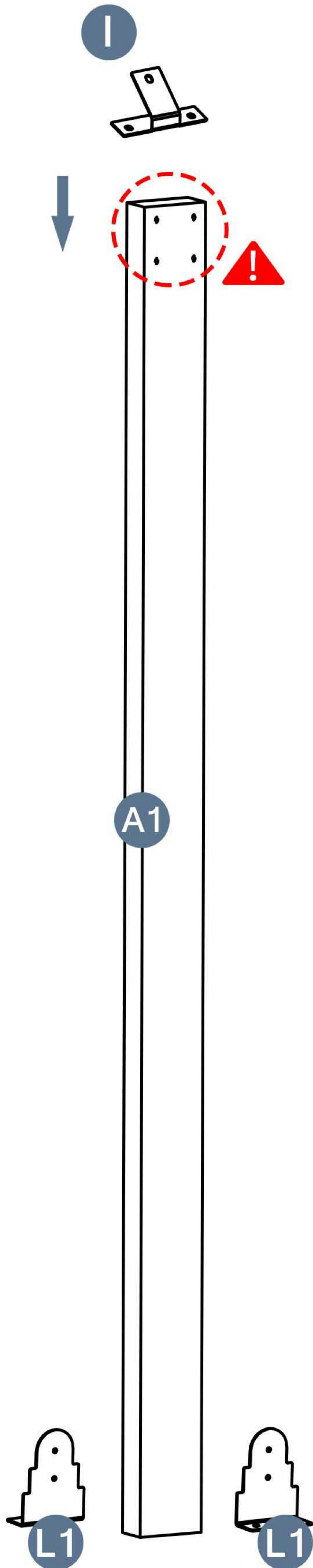
STEP 2

Parts required

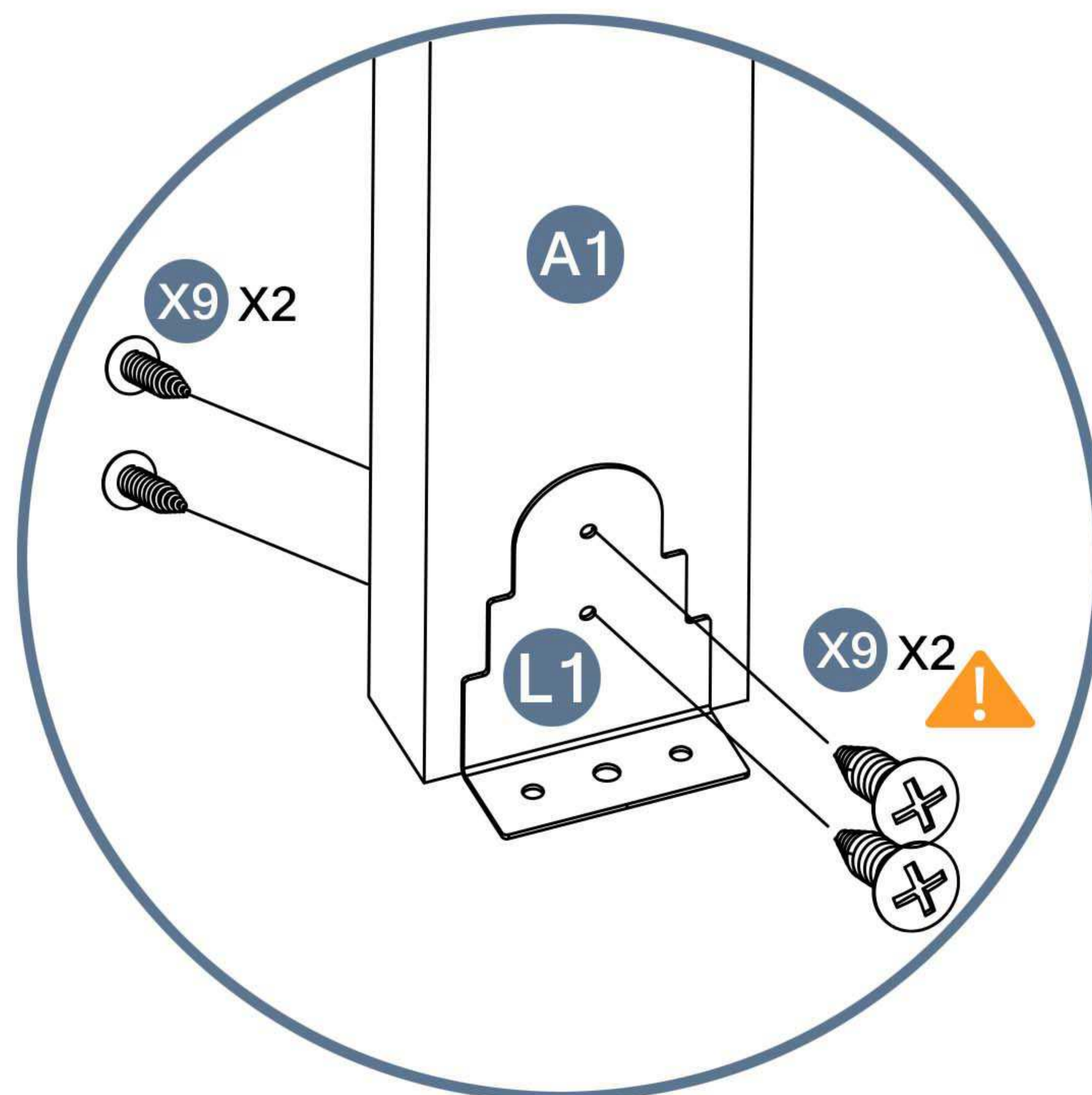
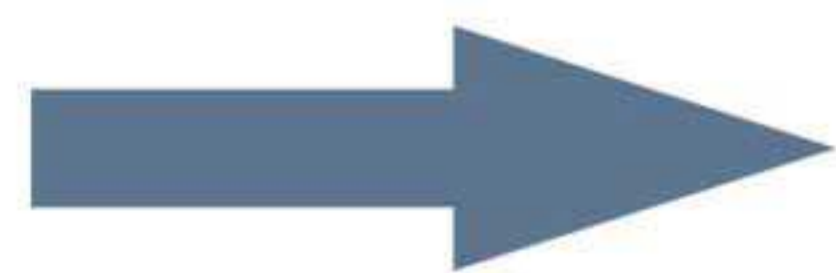


⚠ Pay attention to the difference of screws

⚠ Please note the orientation of the hole.



X2



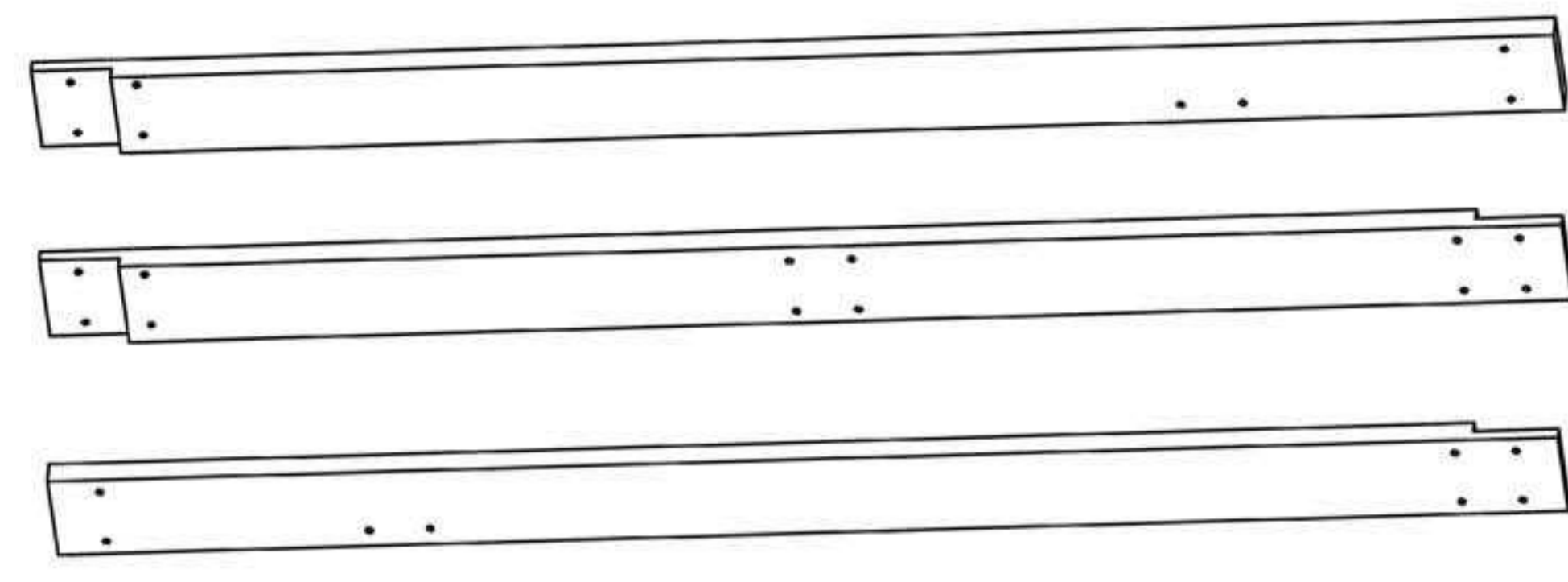
Please take care of the screws and contact the after-sales service if there is any problem with the installation or parts.



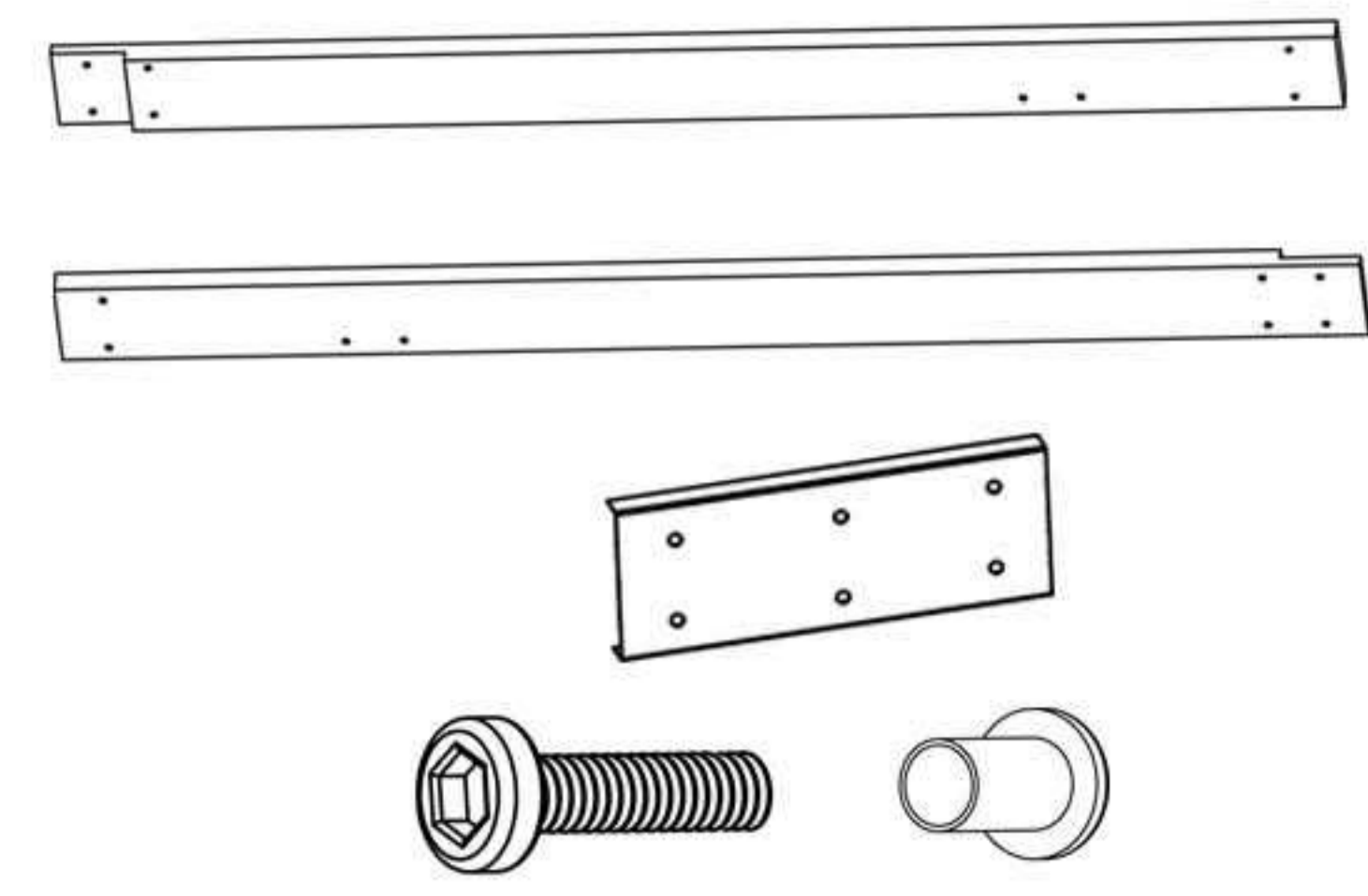
E-mail: cs.helper01@gmail.com

STEP 3

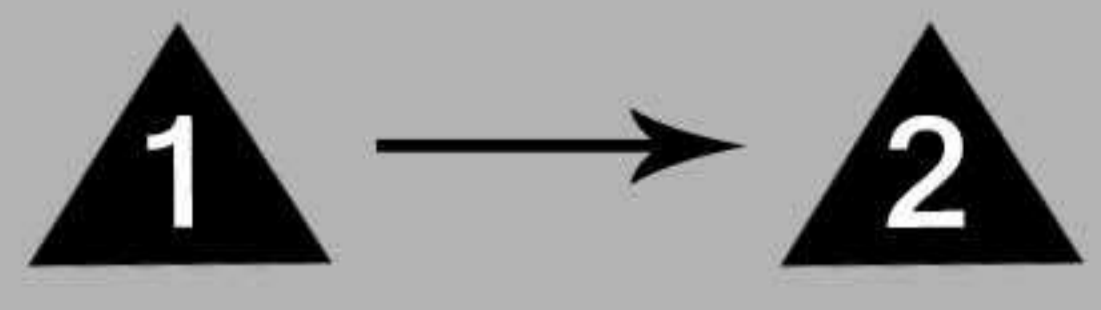
Parts required



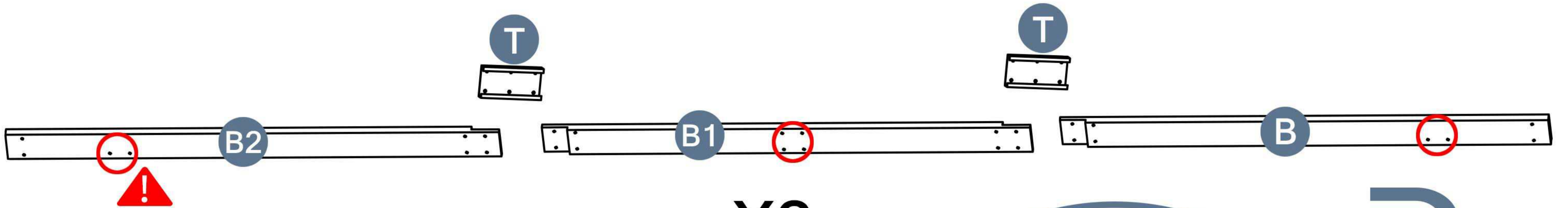
B 2pcs
B1 2pcs
B2 2pcs



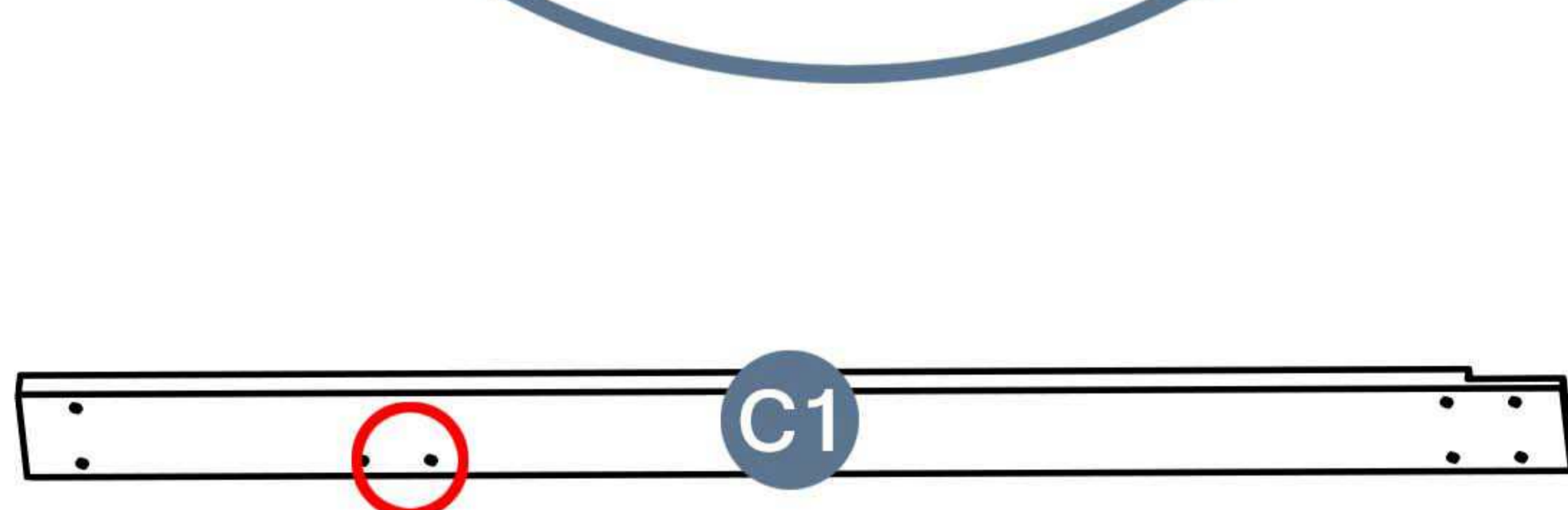
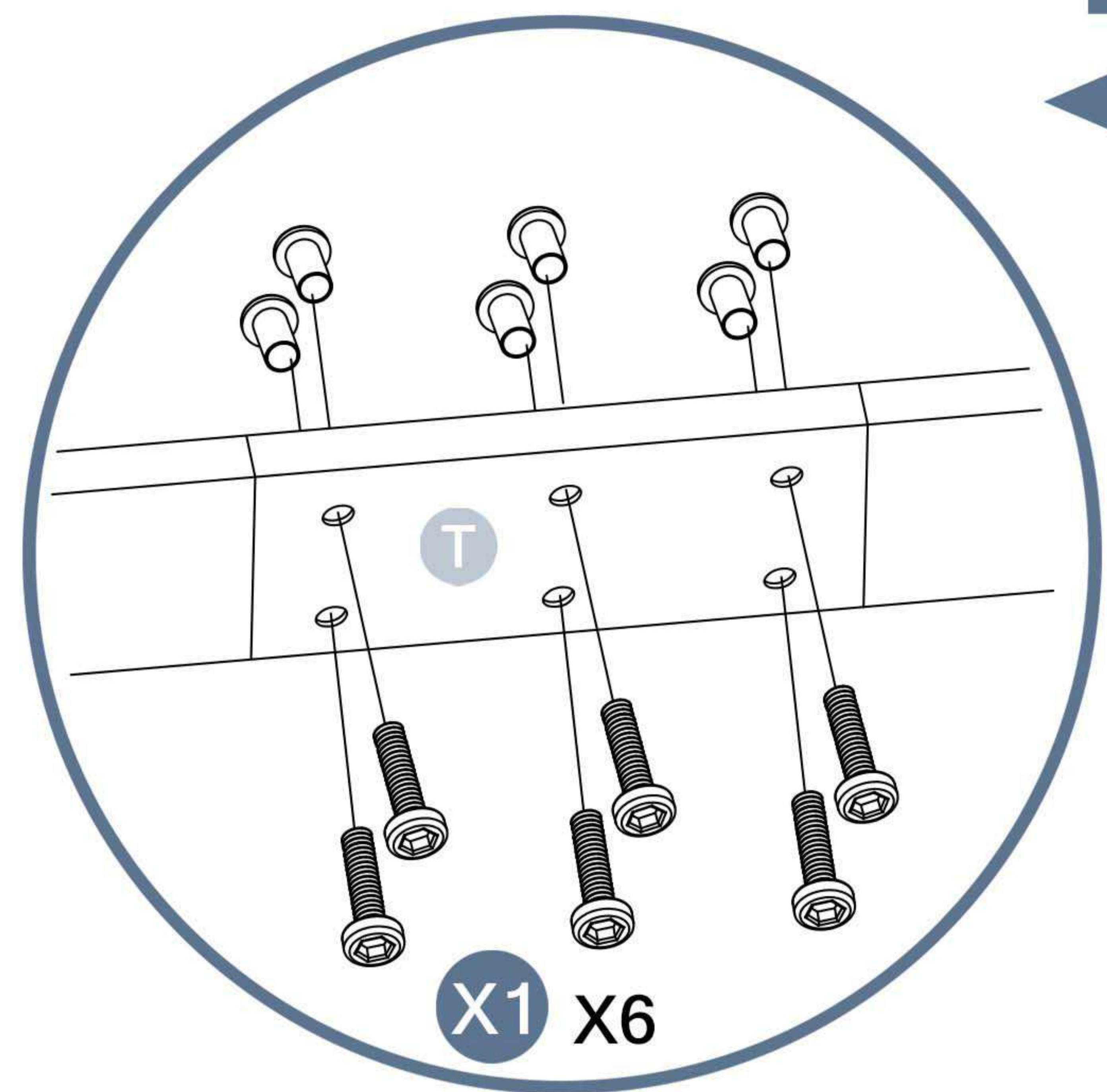
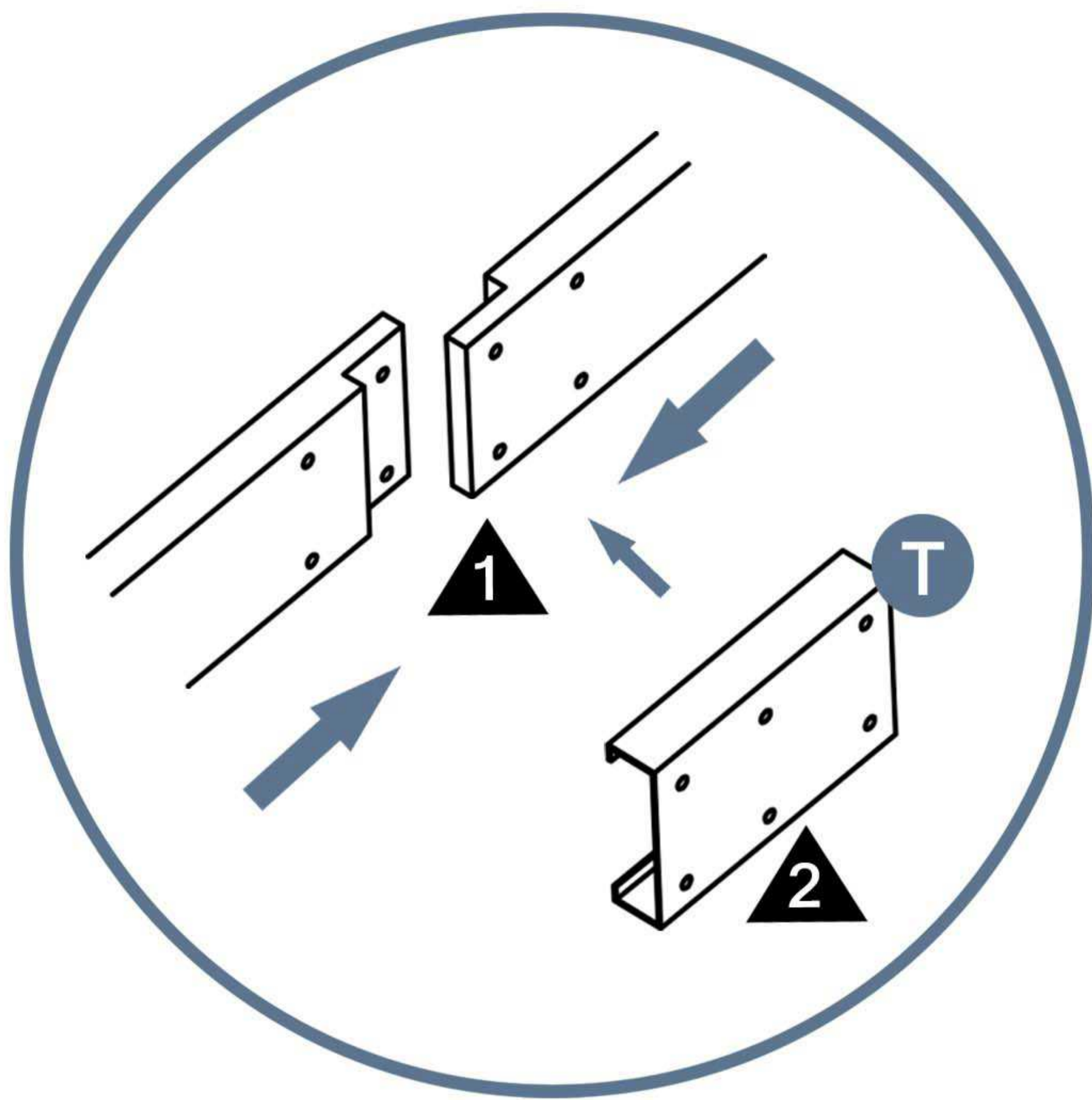
C 2pcs
C1 2pcs
T 6pcs
X1 34pcs



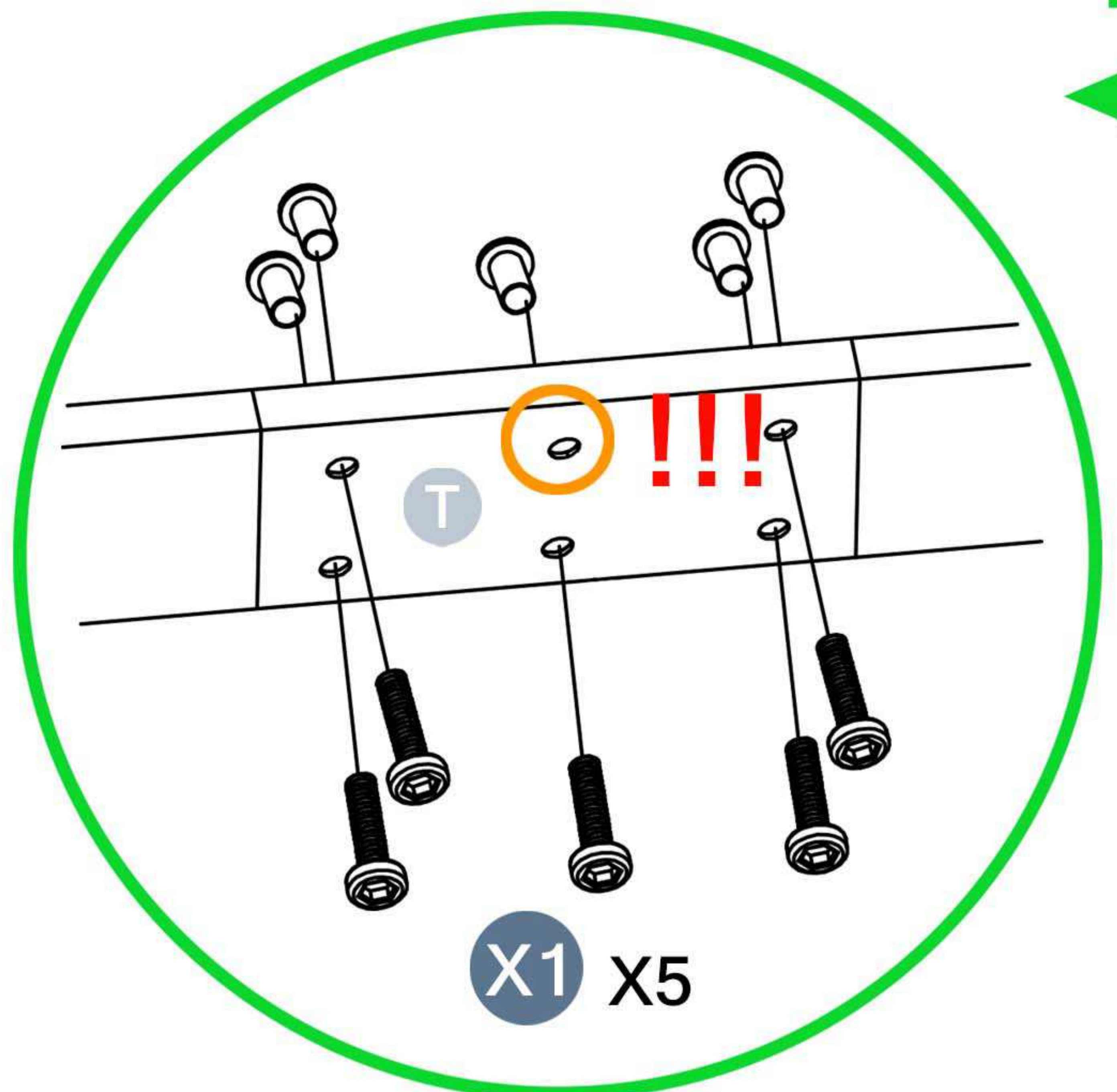
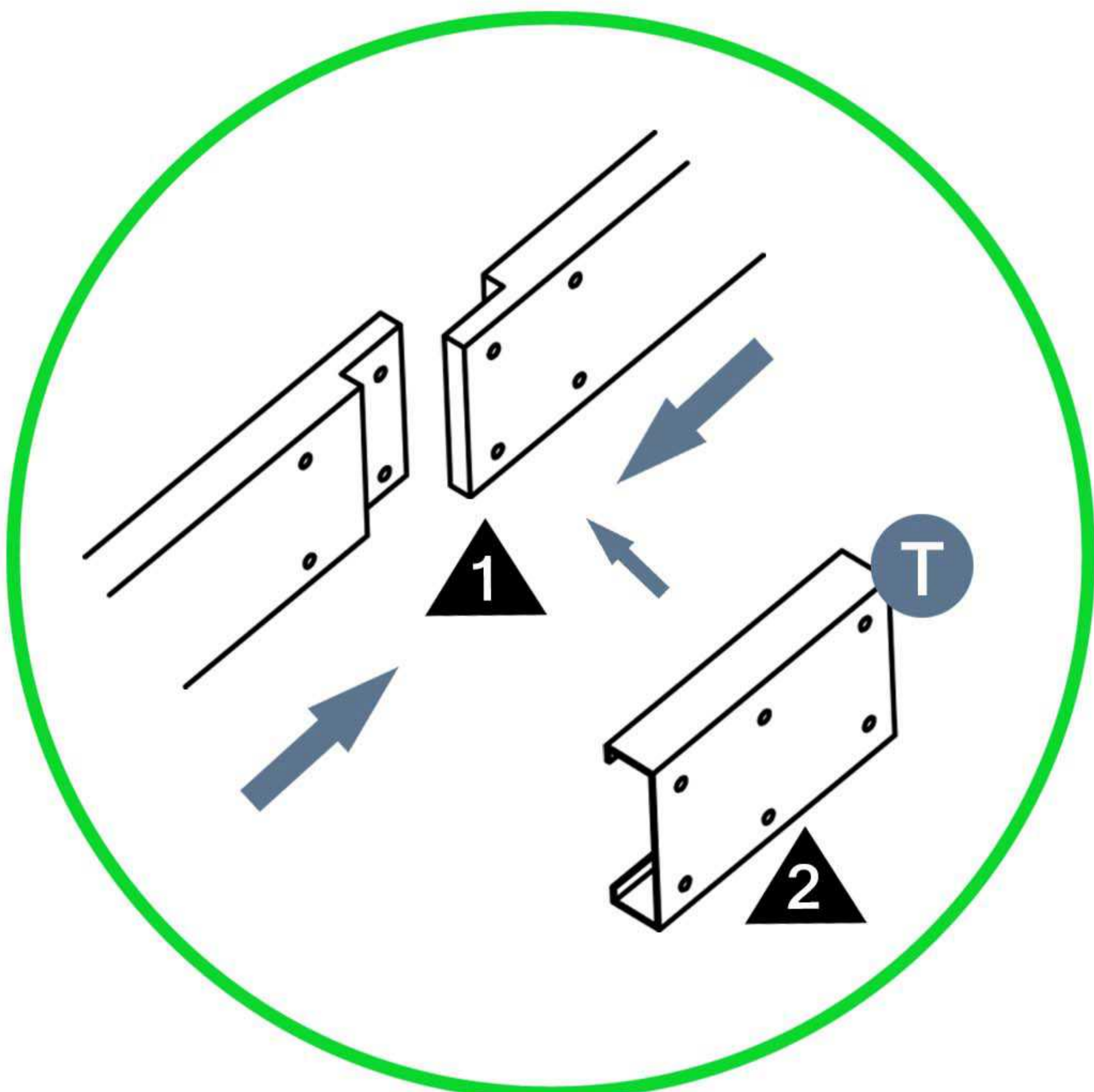
Pay attention to the orientation of the red circle, please install the **T** on the back. (shown in the figure).



X2



X2



!!! Be careful not to screw the screws at the yellow circle. Step 6 is screwing.

Please take care of the screws and contact the after-sales service if there is any problem with the installation or parts.

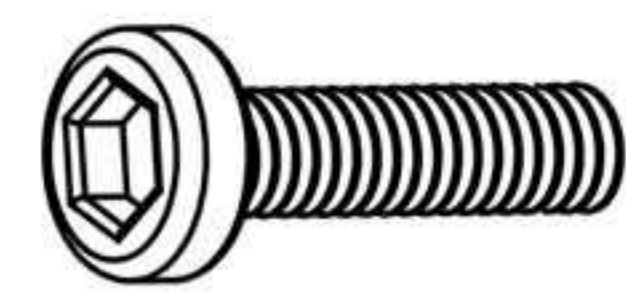
➔ ✉ E-mail: cs.helper01@gmail.com

STEP 4

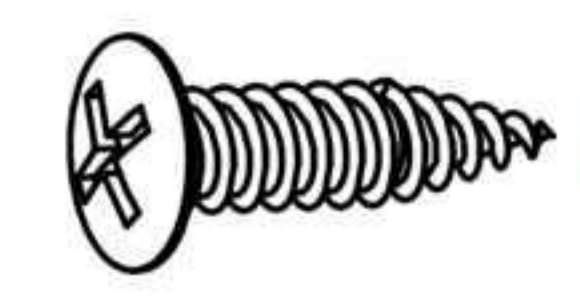
Parts required



J1 4pcs



X2 24pcs

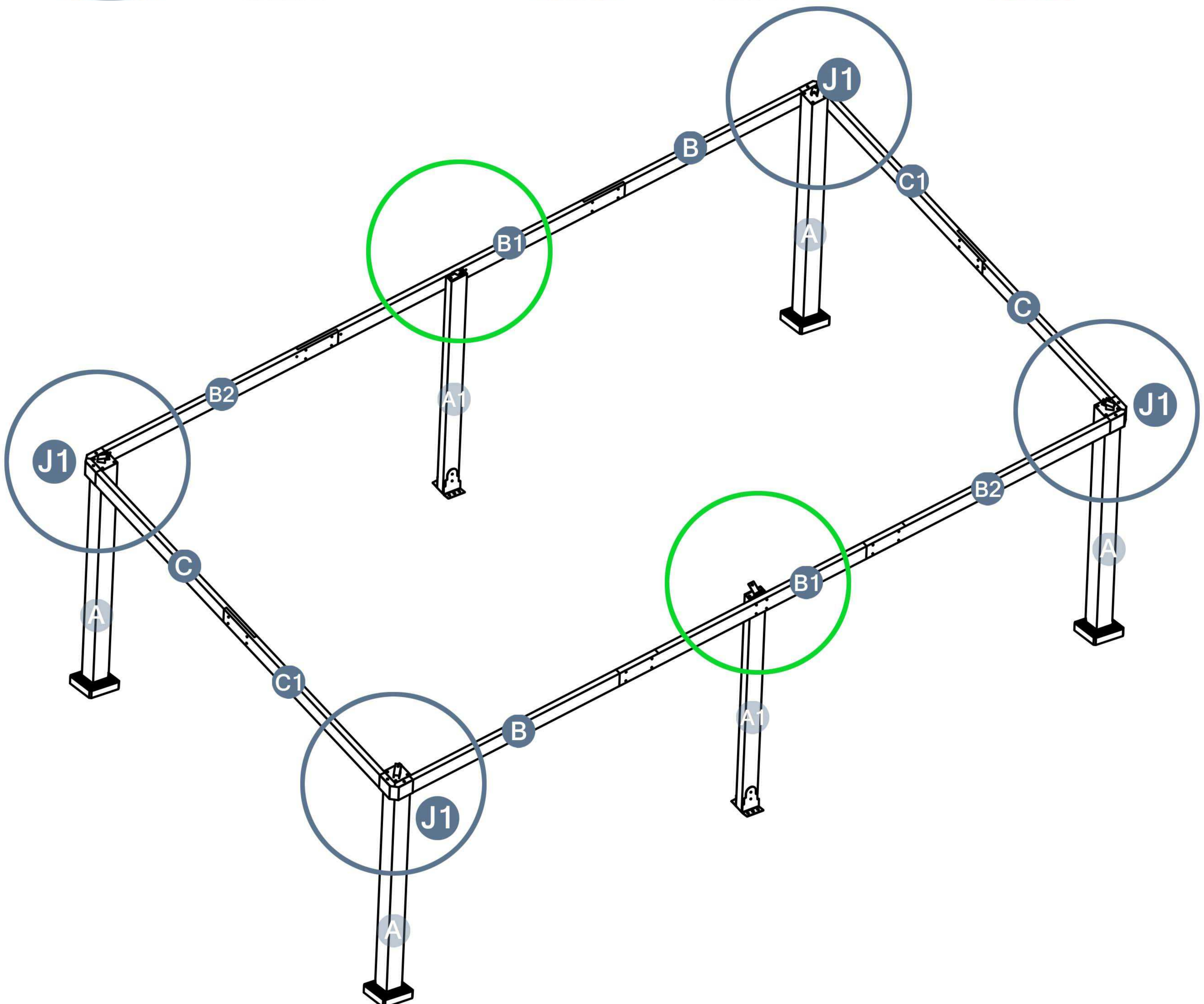
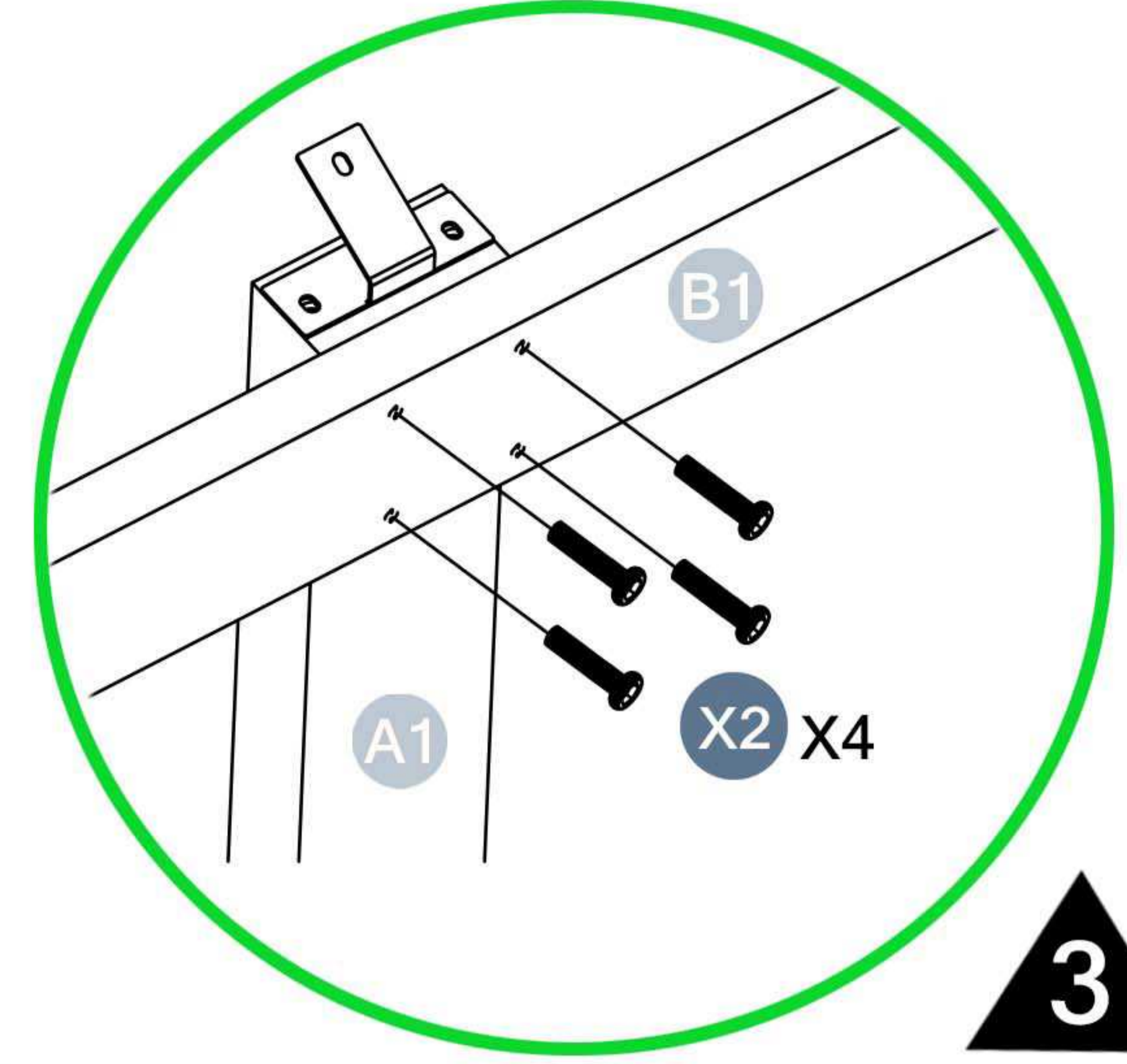
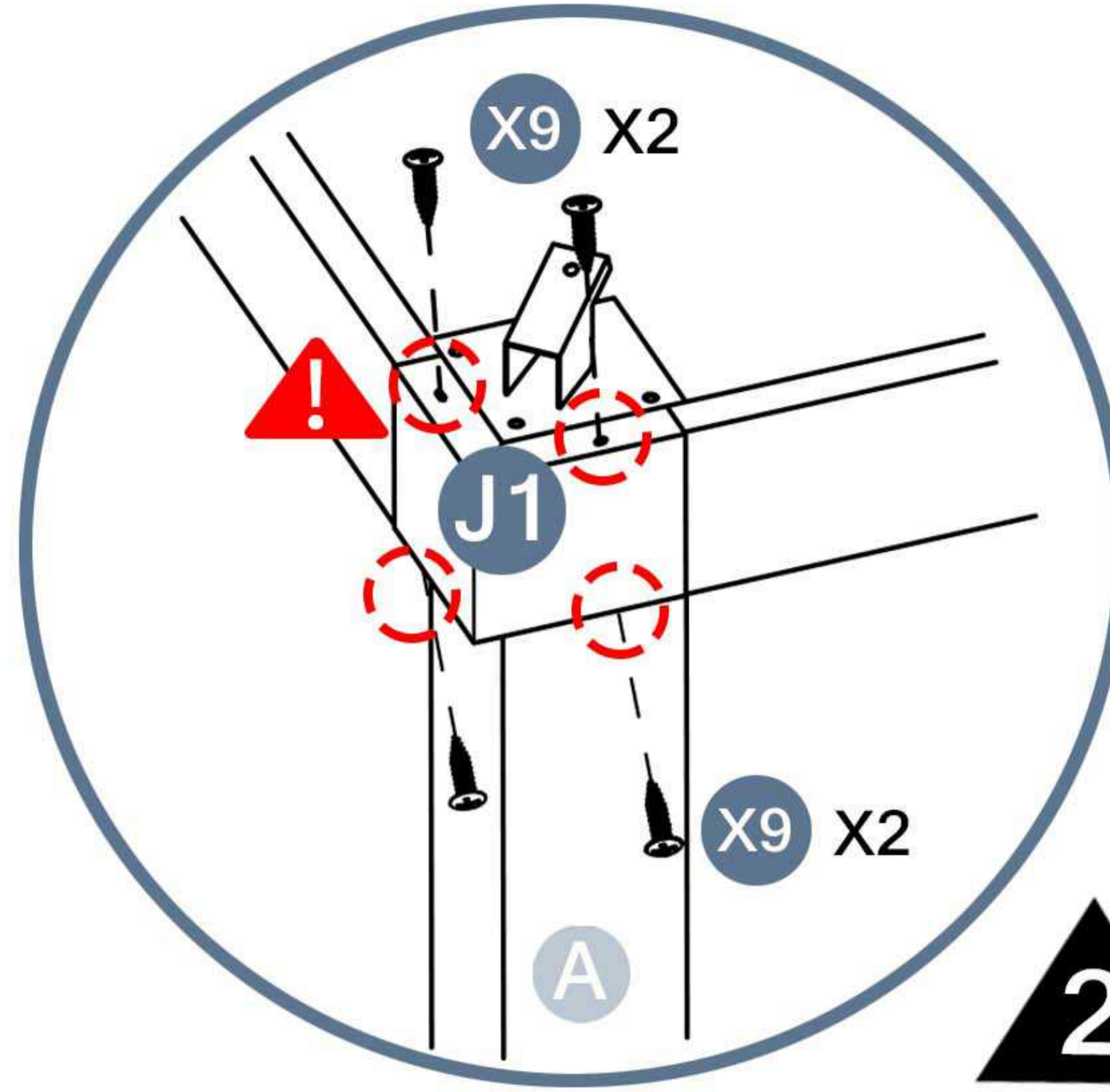
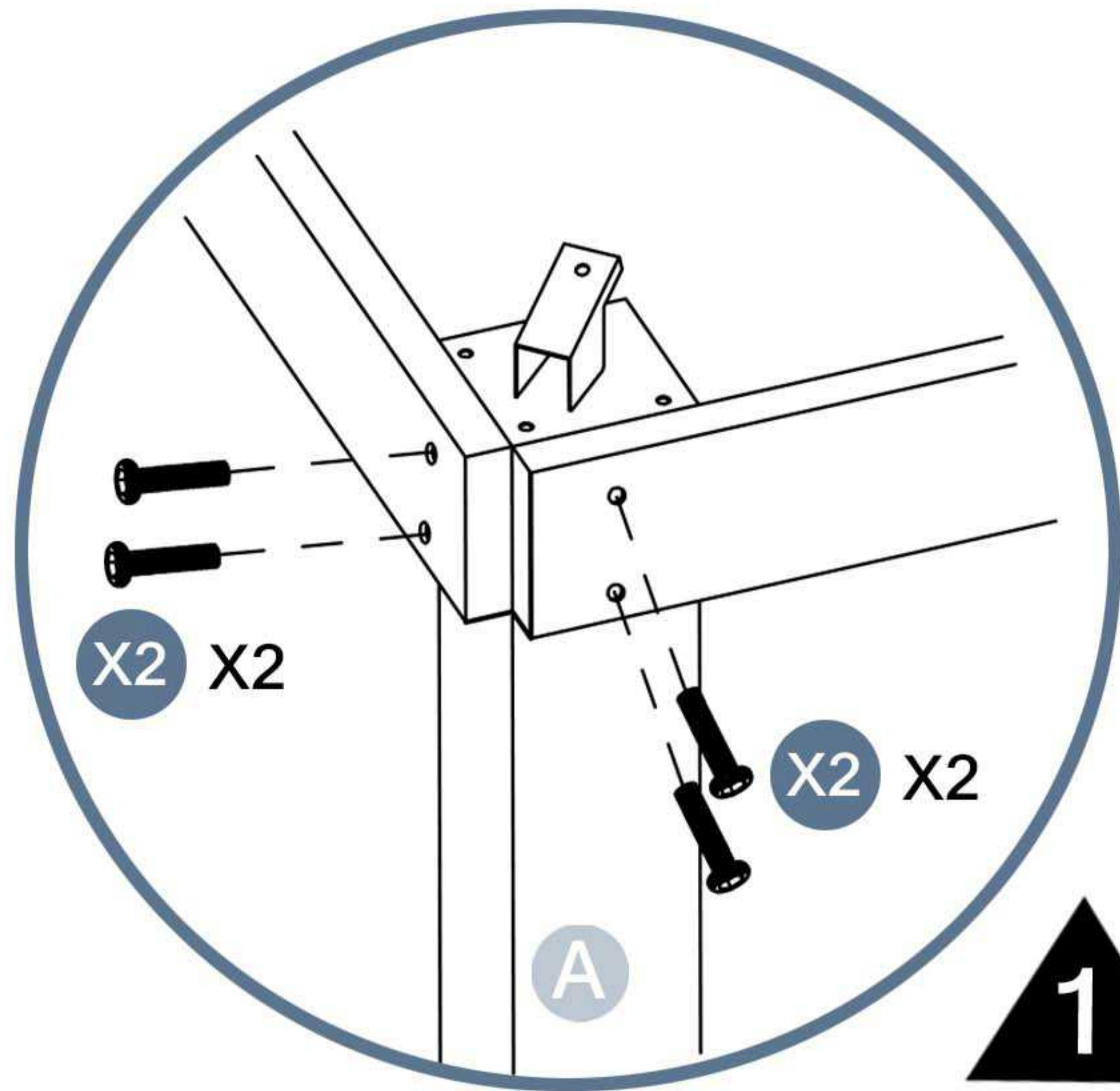


X9 16pcs

1 → 2 → 3



Please Note that the X9 circled in red is a self-tapping nail without hole, it can be directly tightened.



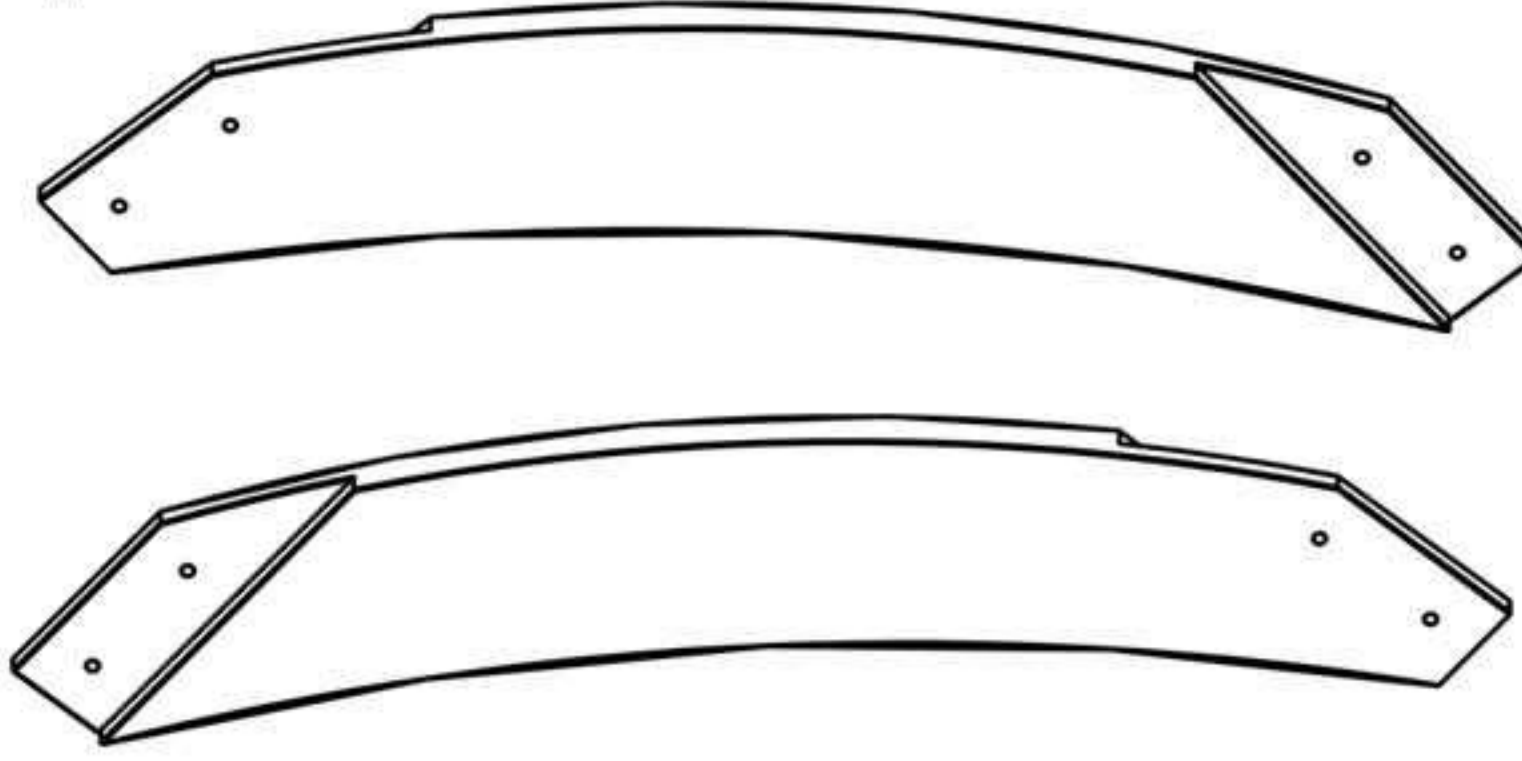
Please take care of the screws and contact the after-sales service if there is any problem with the installation or parts.



E-mail: cs.helper01@gmail.com

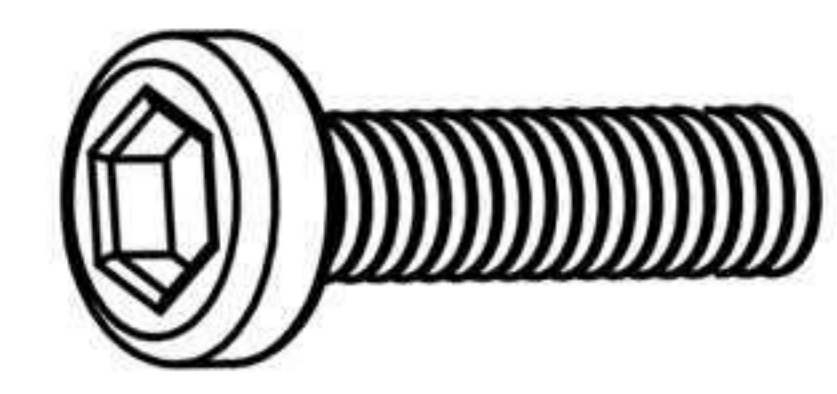
STEP 5

Parts required

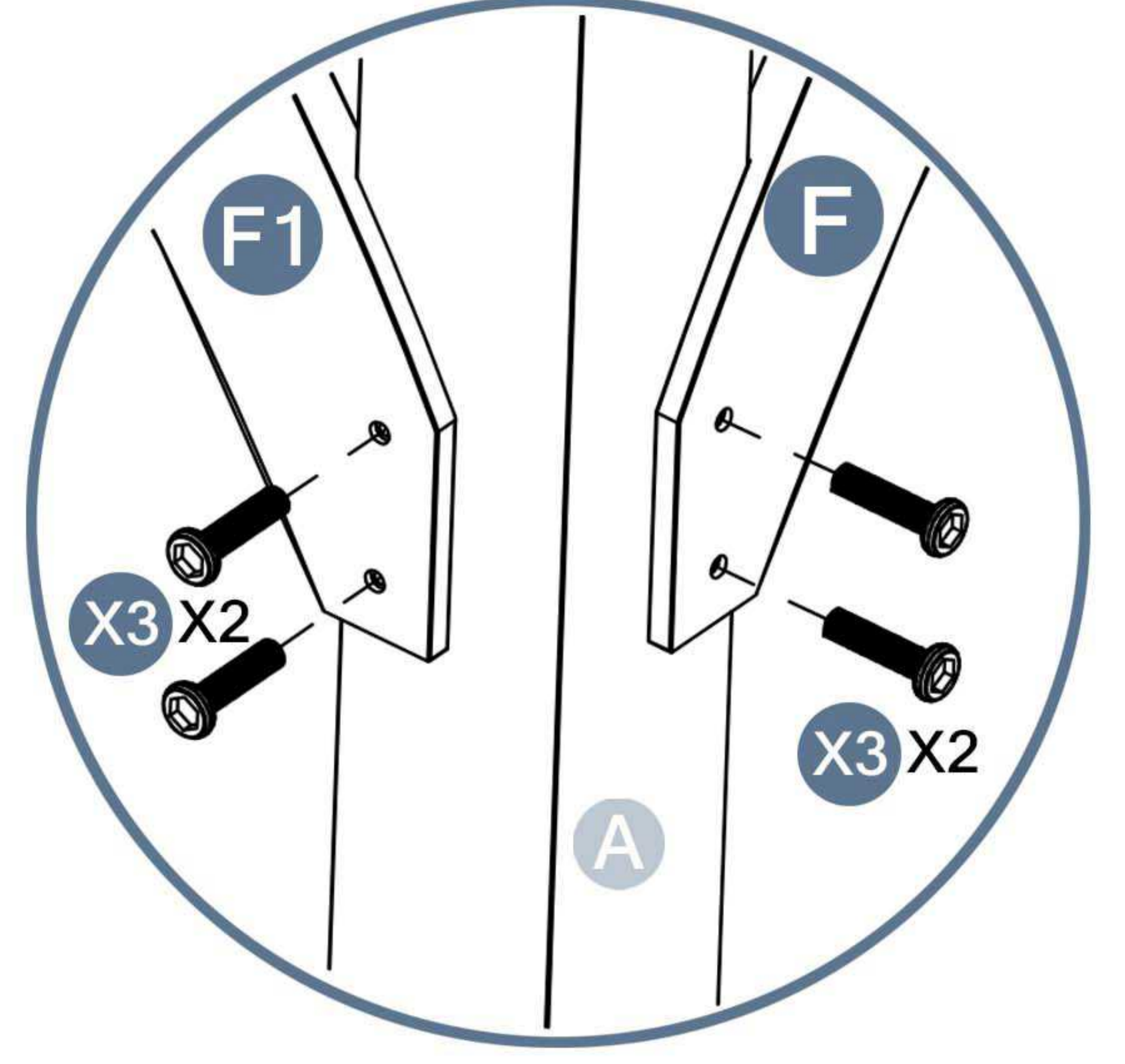
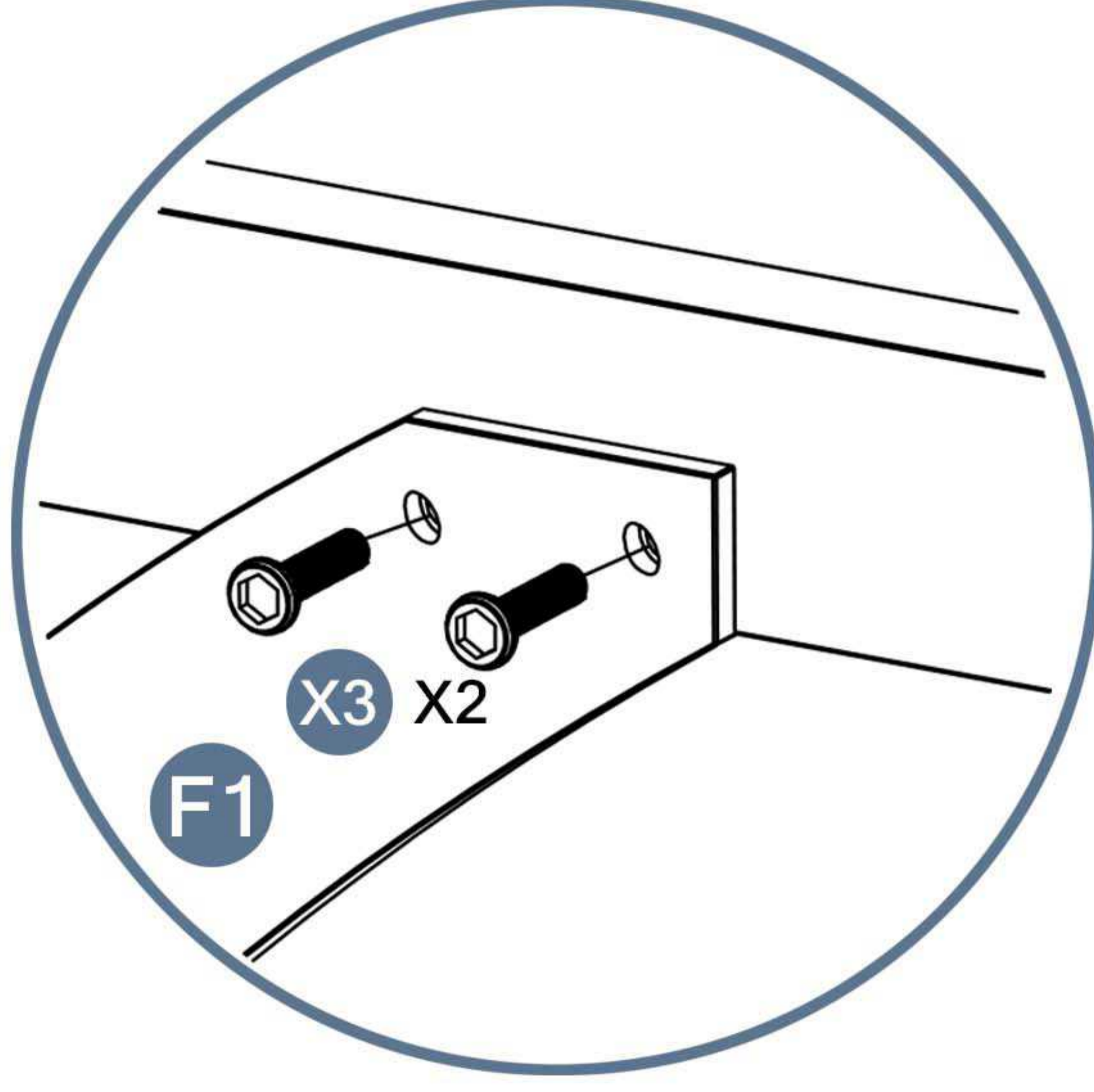
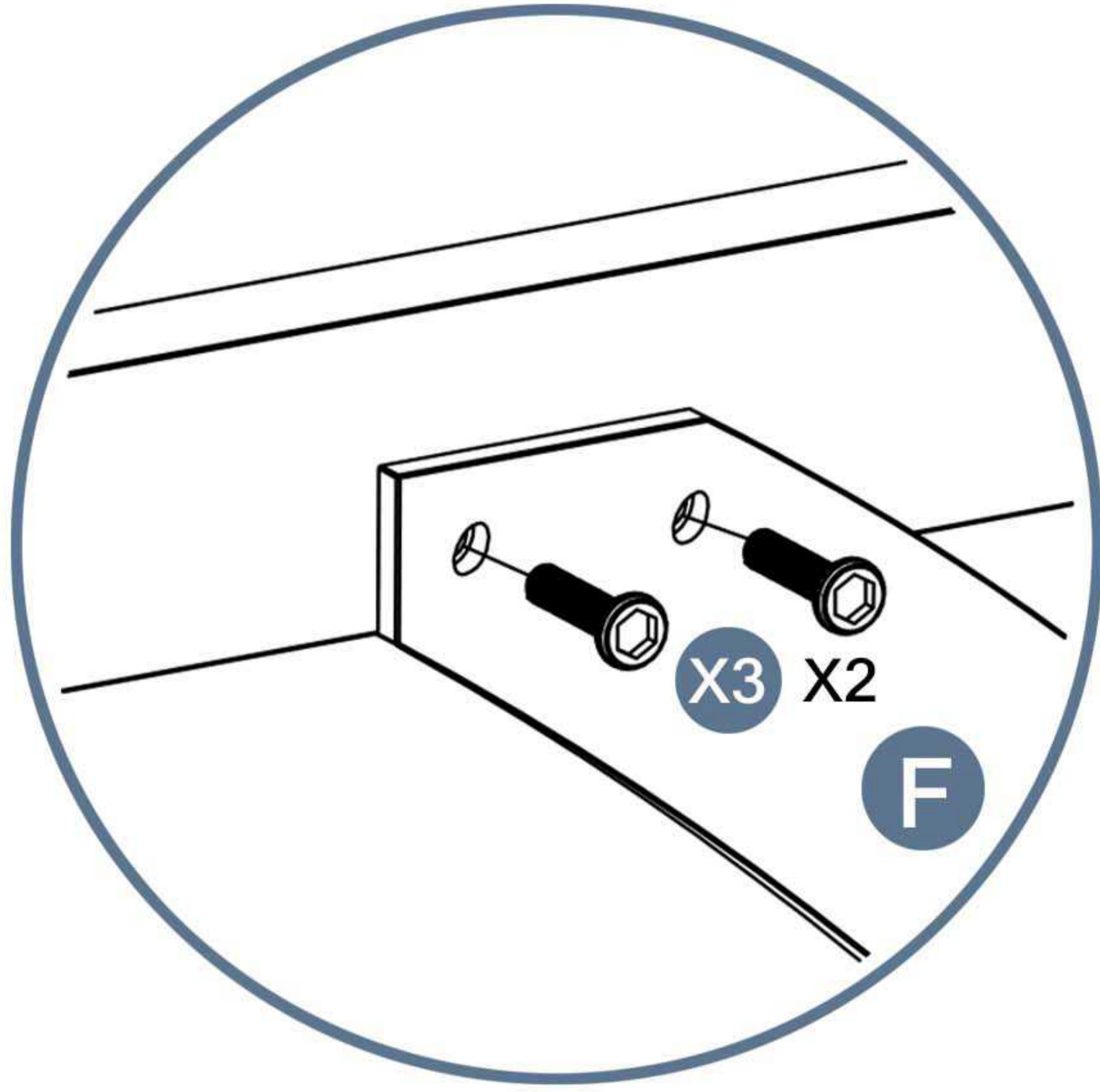


F 4pcs

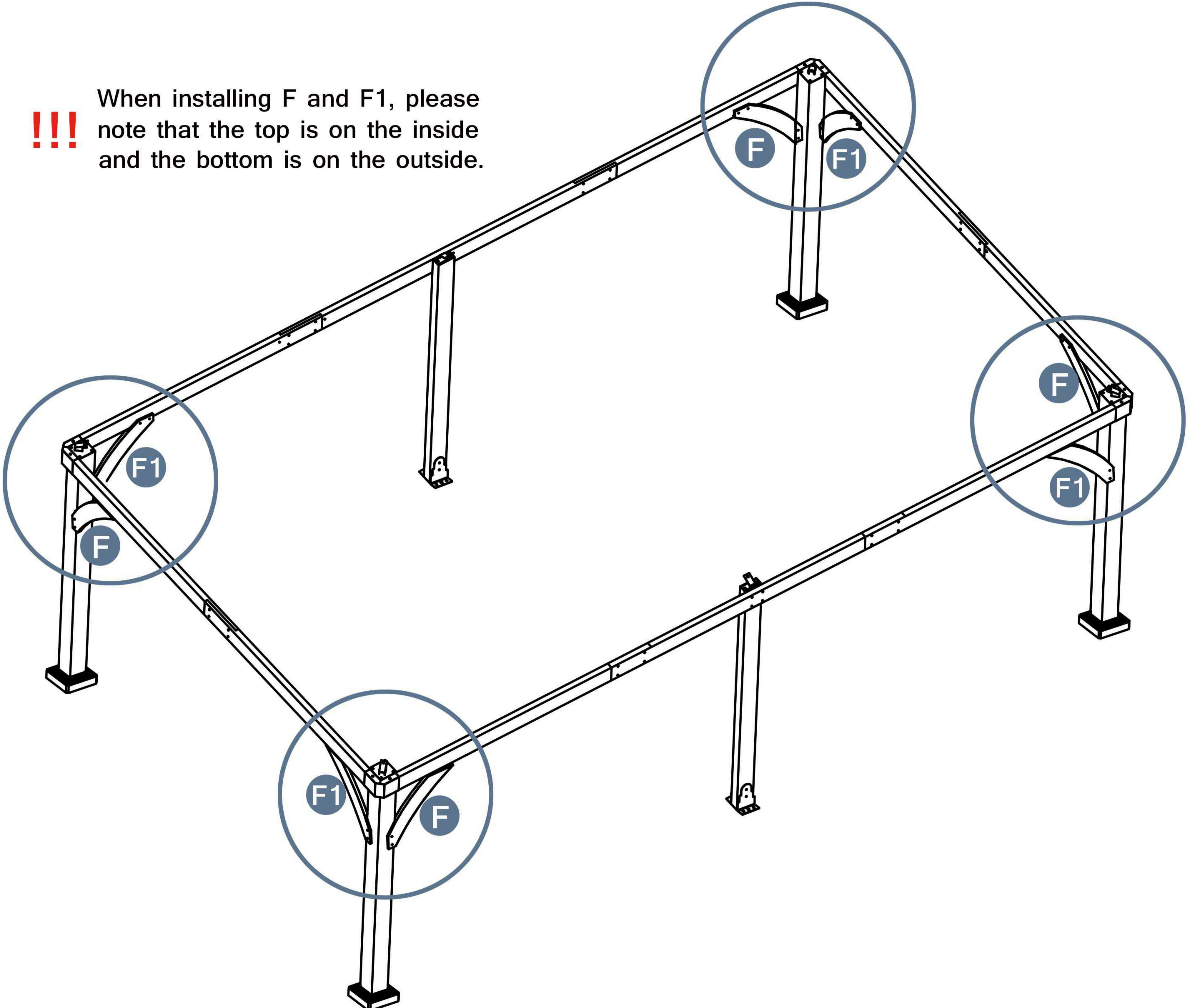
F1 4pcs



X3 32pcs



!!! When installing F and F1, please note that the top is on the inside and the bottom is on the outside.

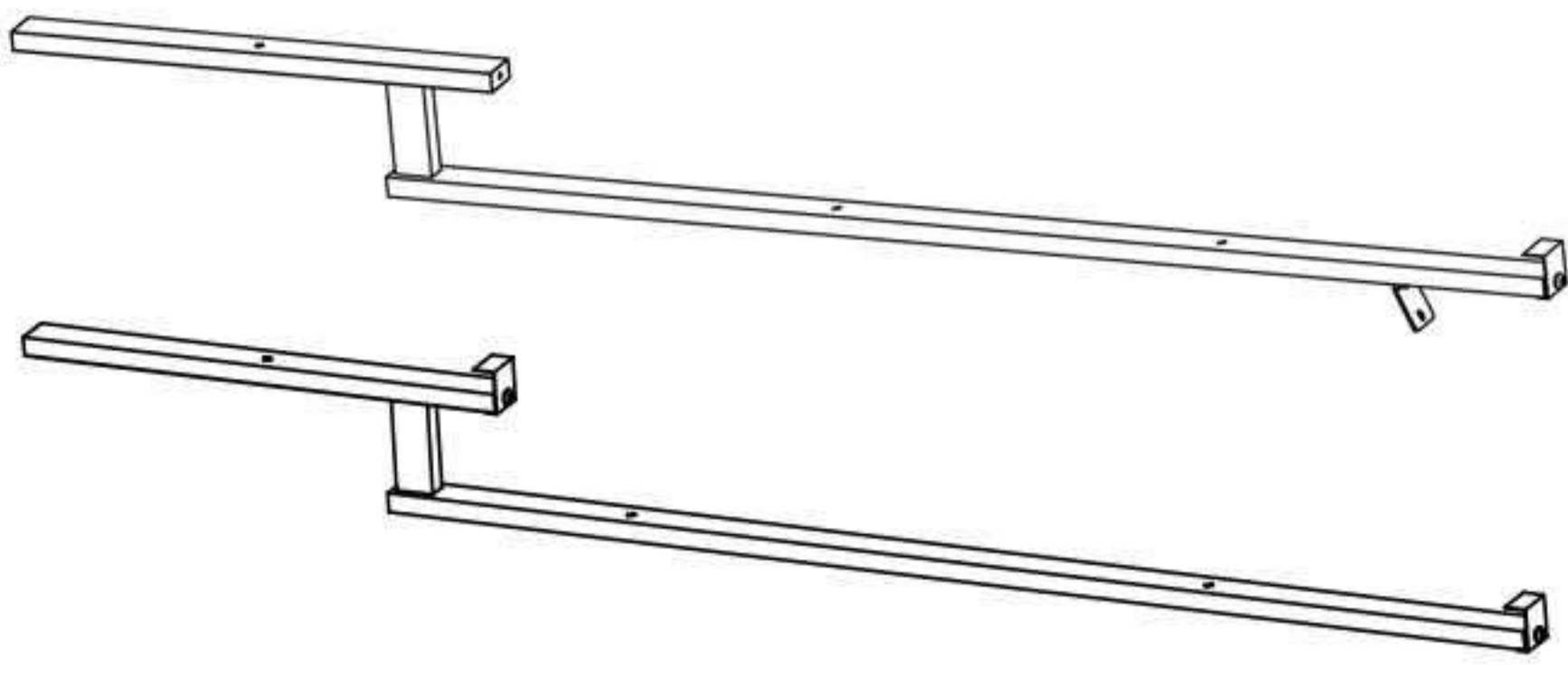


Please take care of the screws and contact the after-sales service if there is any problem with the installation or parts.

➔ ✉ E-mail: cs.helper01@gmail.com

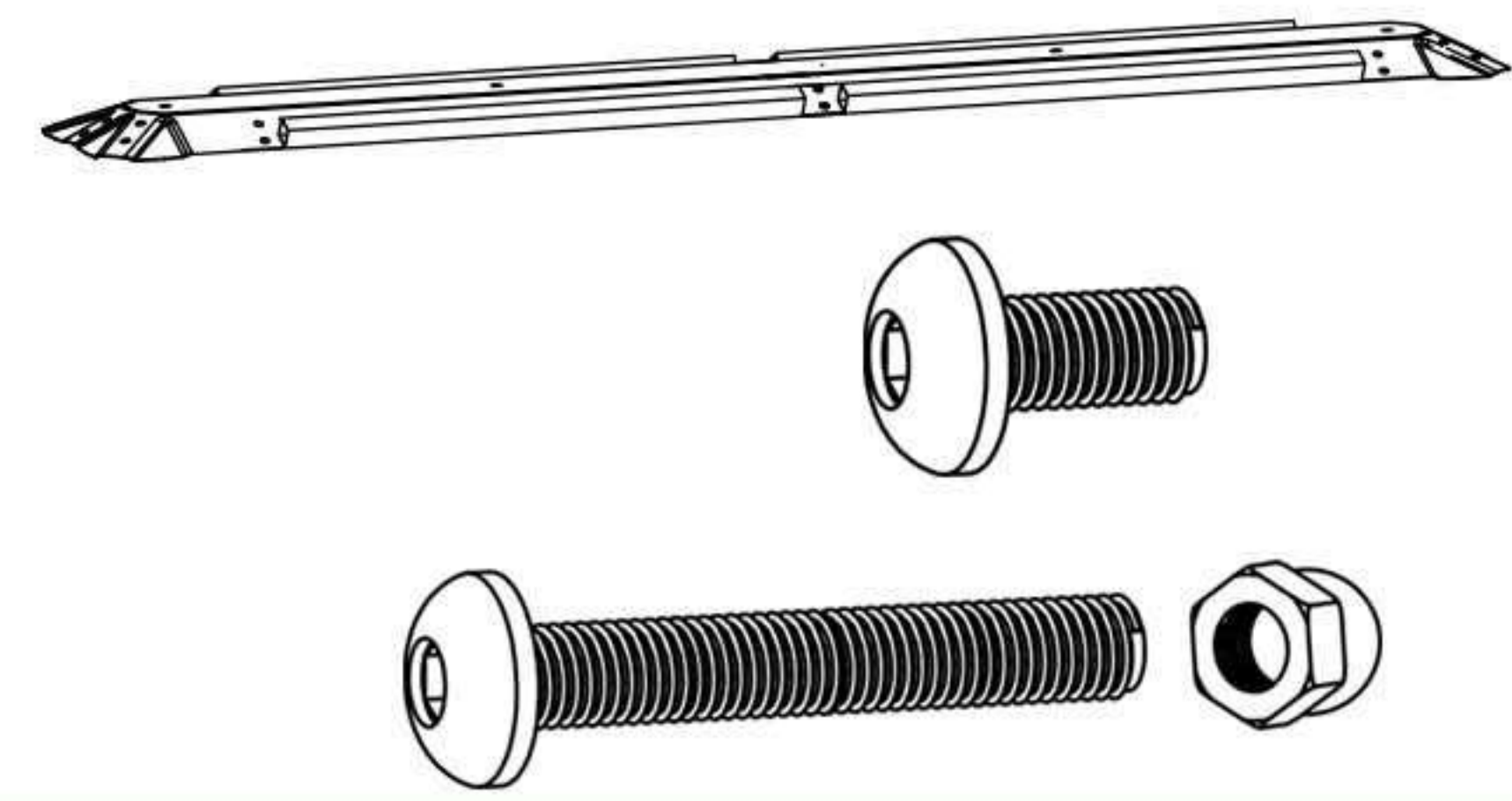
STEP 6

Parts required



D 6pcs

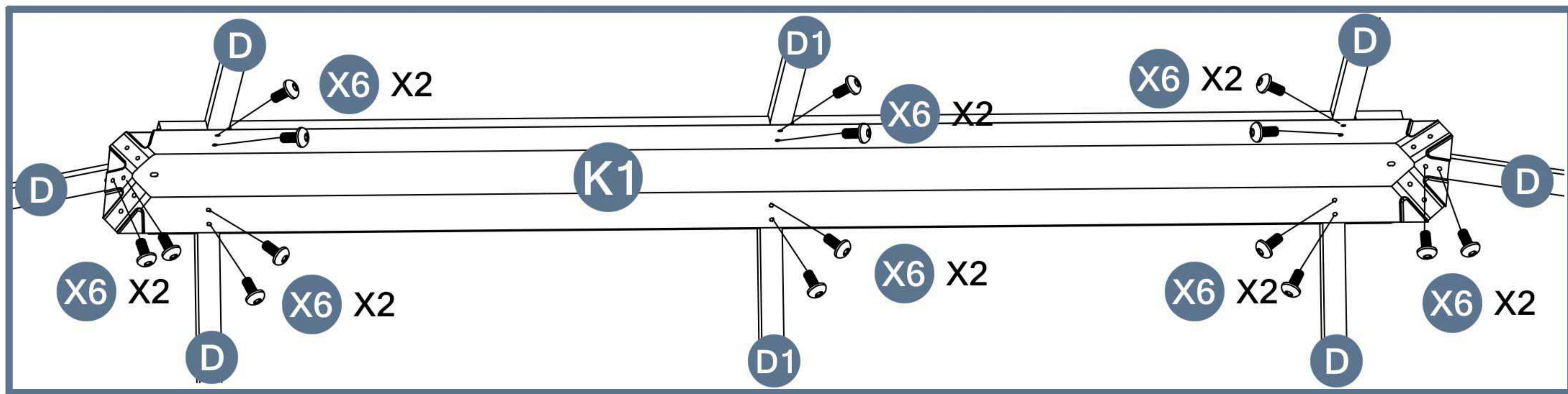
D1 2pcs



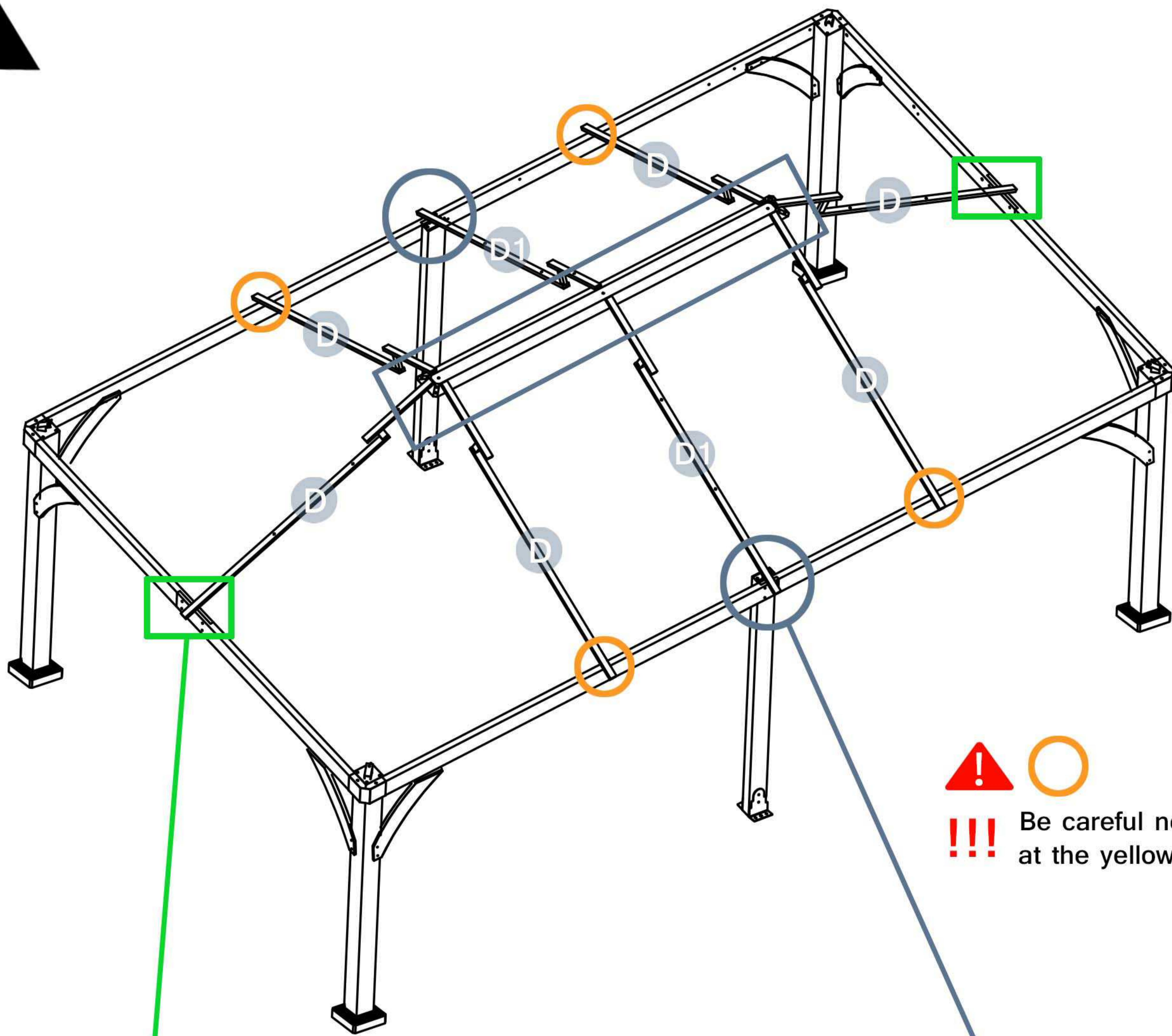
K1 1pcs

X6 18pcs

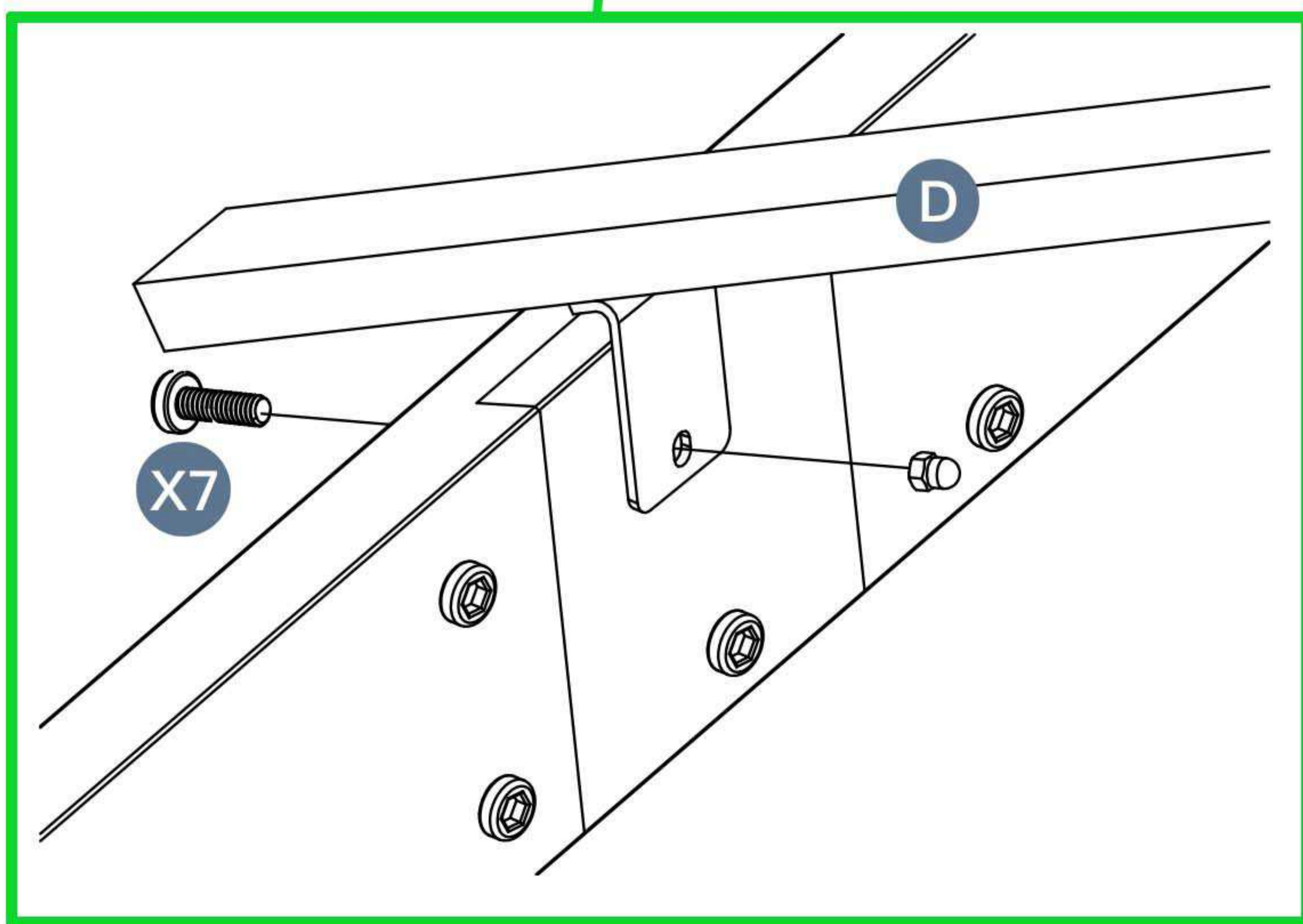
X7 2pcs



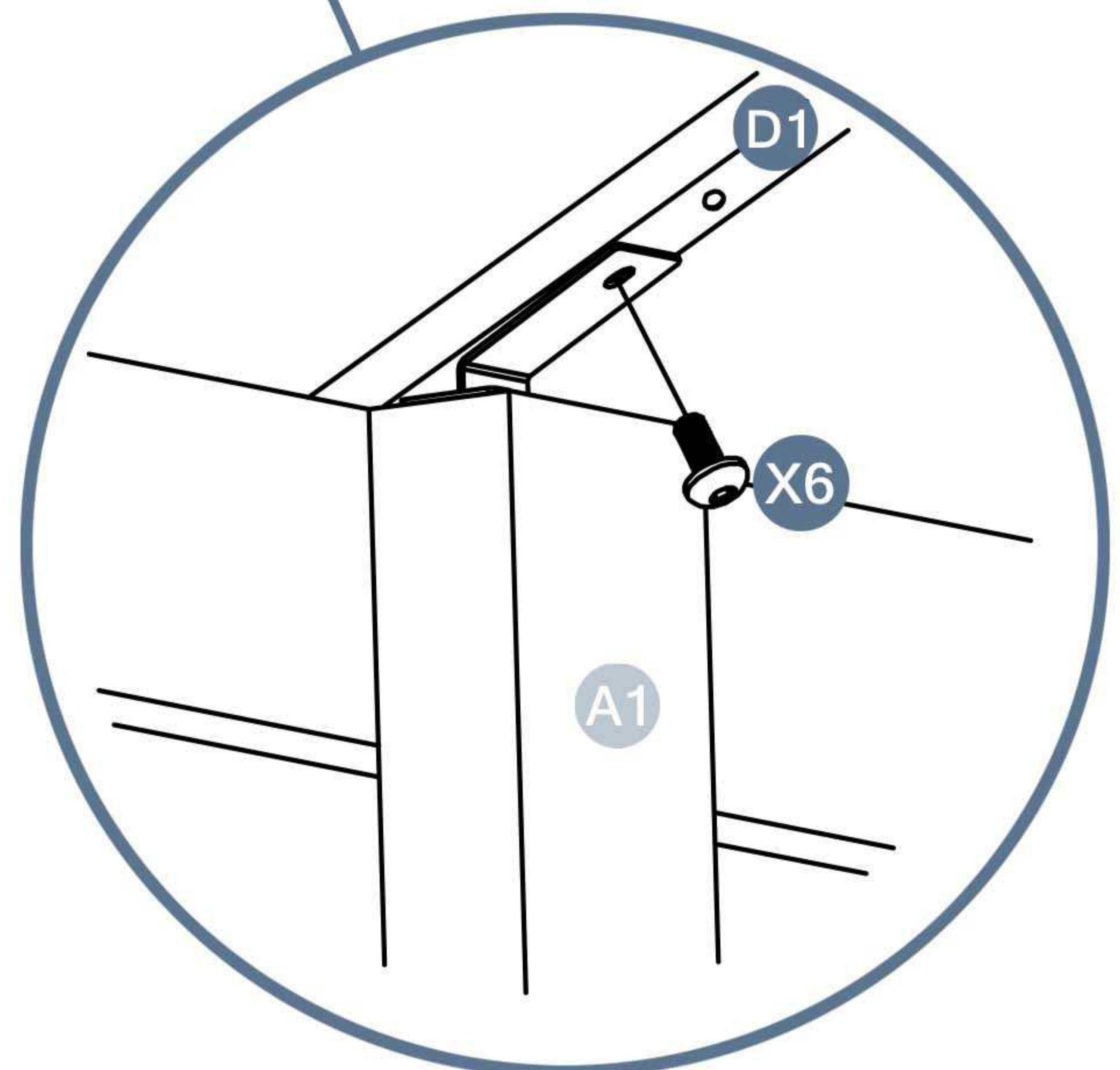
1



!!! Be careful not to screw the screws at the yellow circle. Step 19 is screwing.



1



2

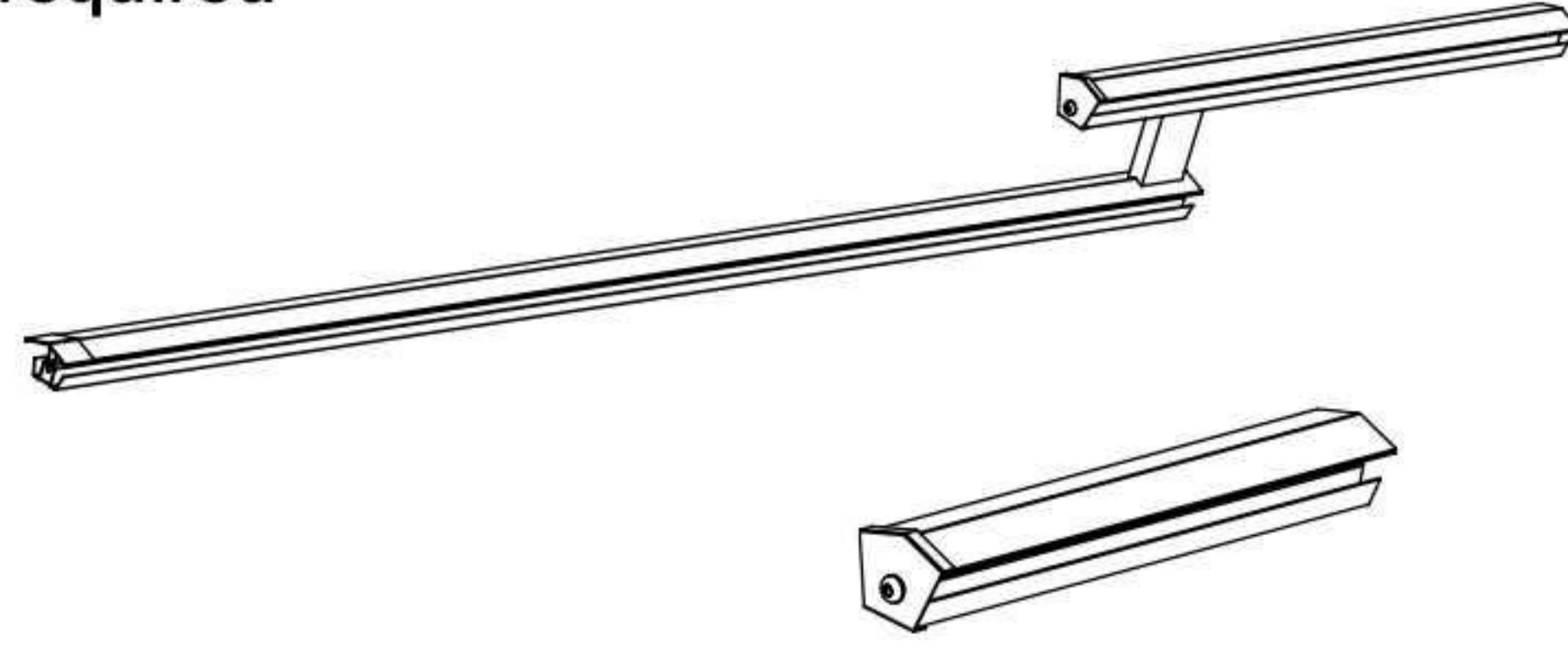
Please take care of the screws and contact the after-sales service if there is any problem with the installation or parts.



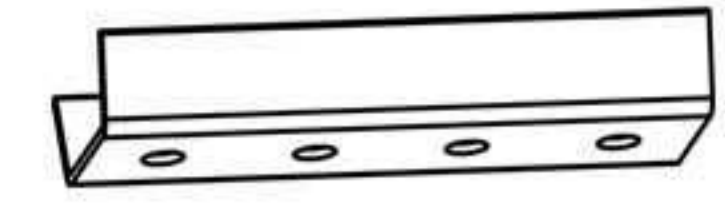
E-mail: cs.helper01@gmail.com

STEP 7

Parts required



E 4pcs



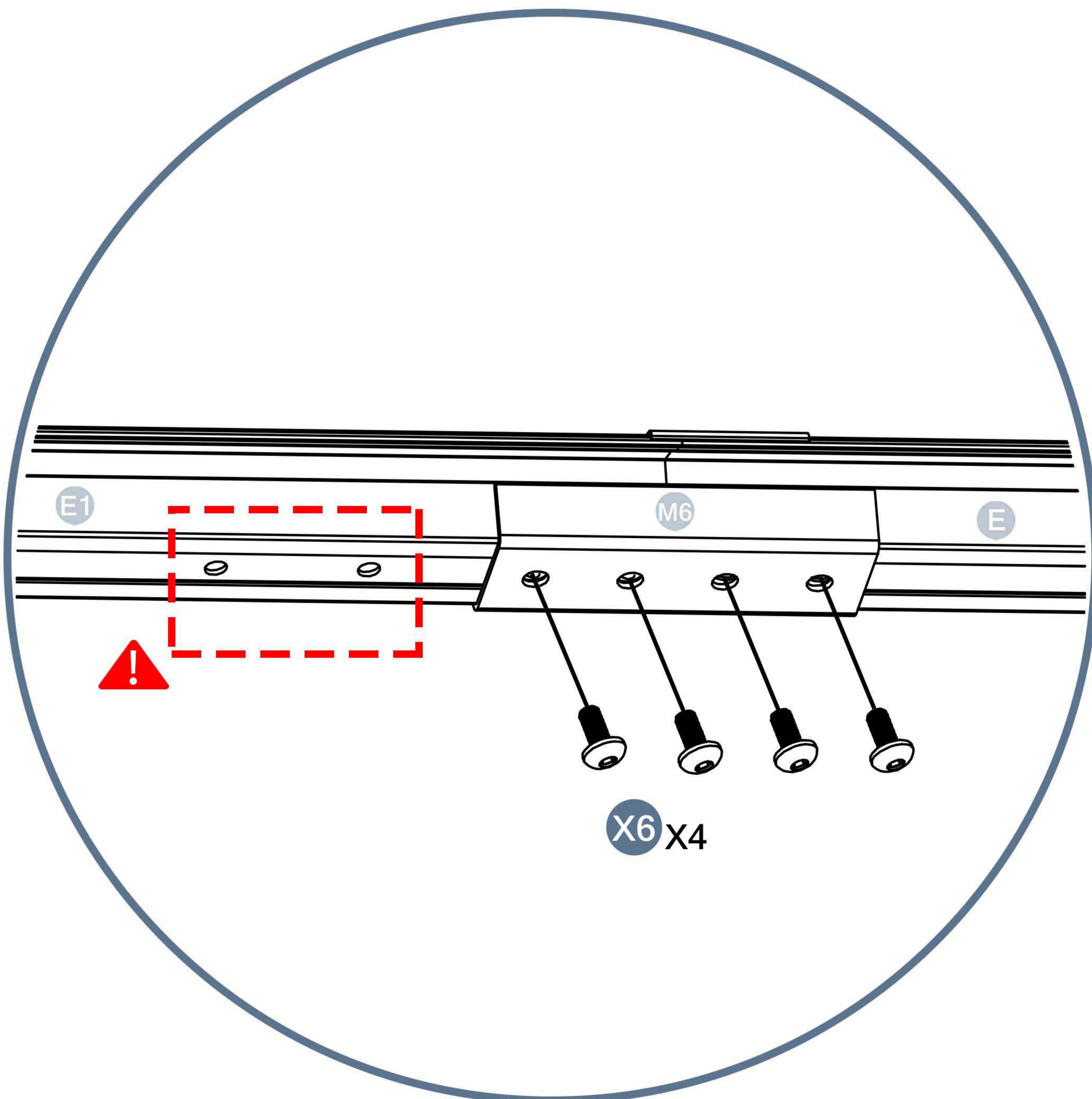
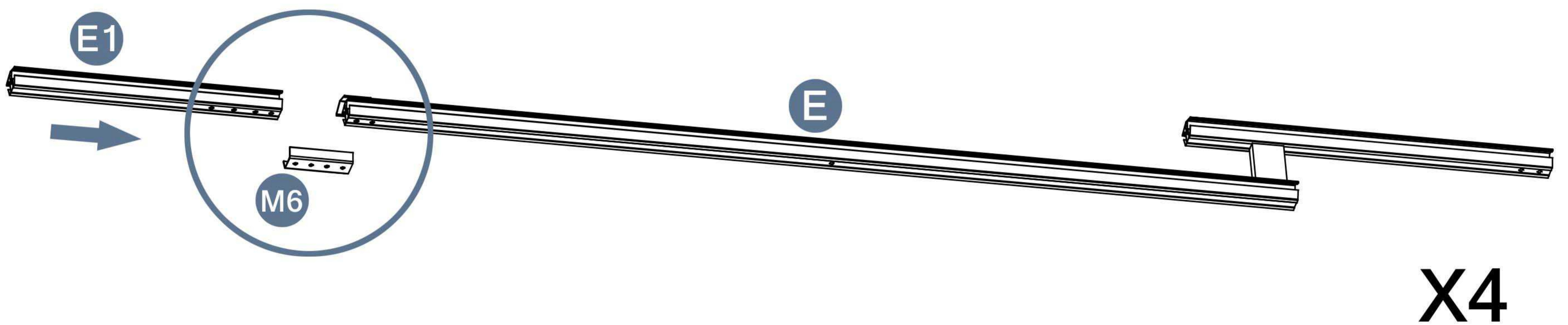
M6 4pcs

E1 4pcs



X6 16pcs

 Do not screw and tighten the **E1** pipe in the red dotted box.



Please take care of the screws and contact the after-sales service if there is any problem with the installation or parts.

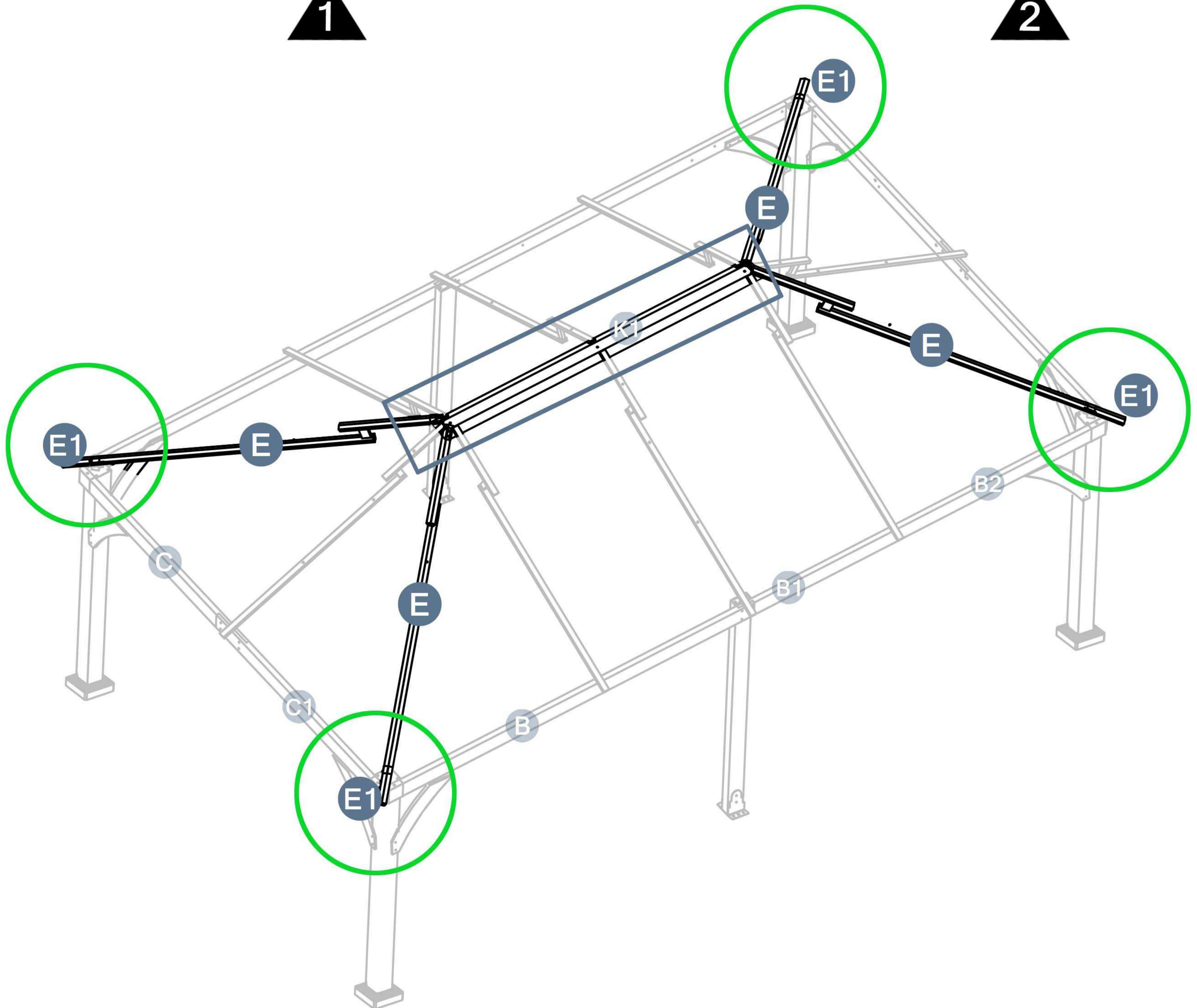
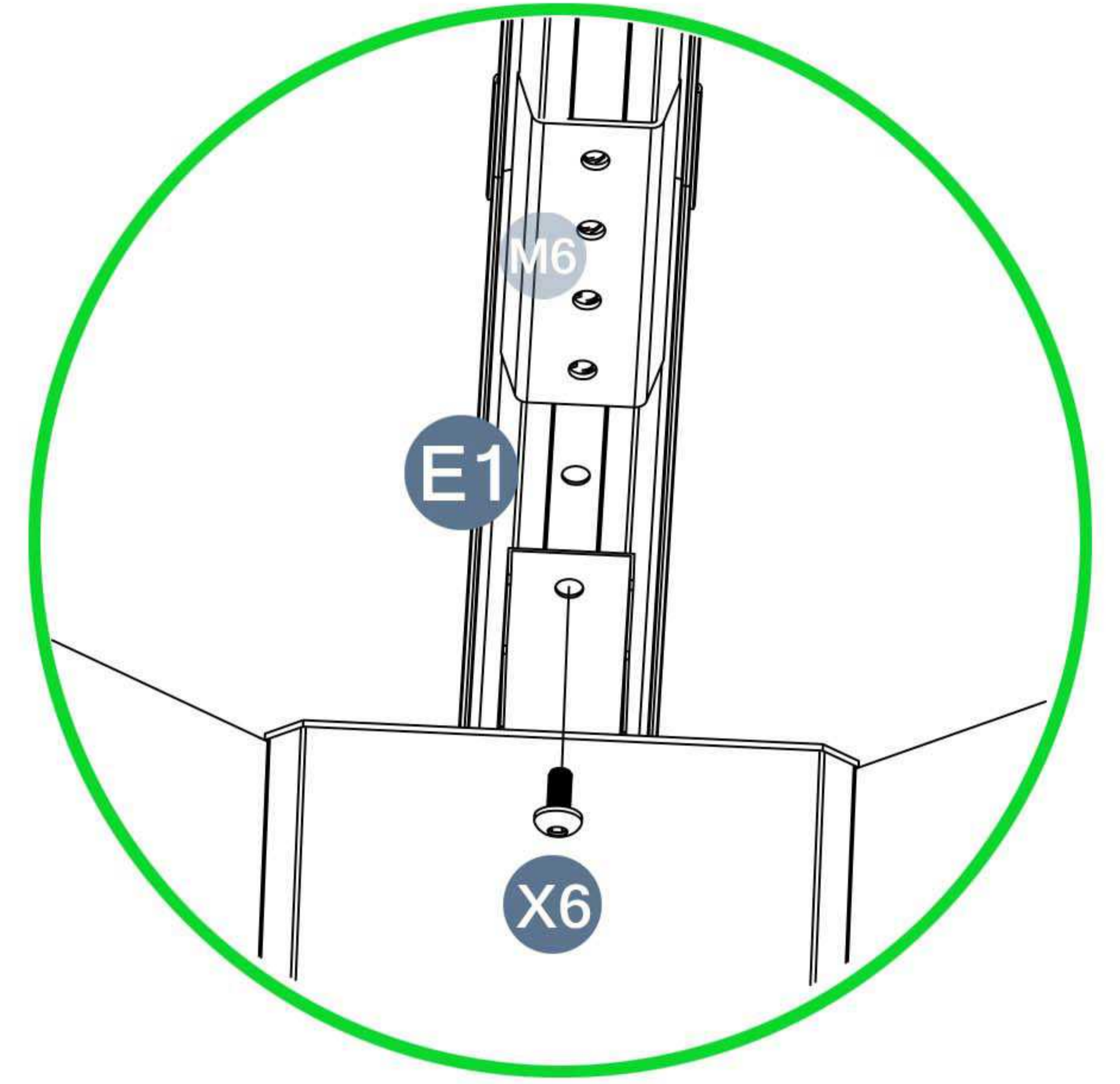
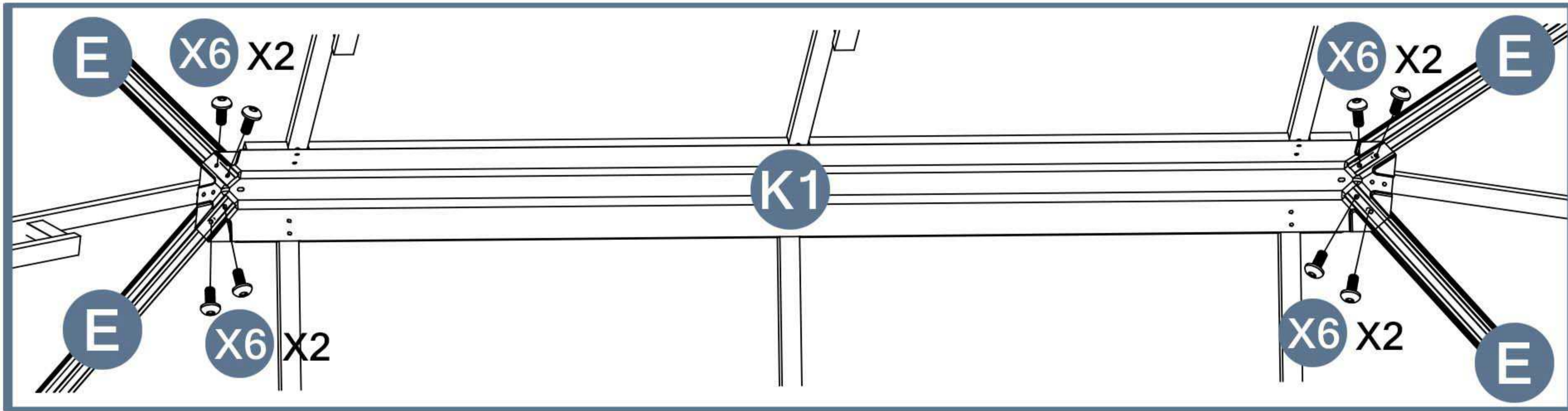
  E-mail: cs.helper01@gmail.com

STEP 8

Parts required

 X6 12pcs

1 → 2

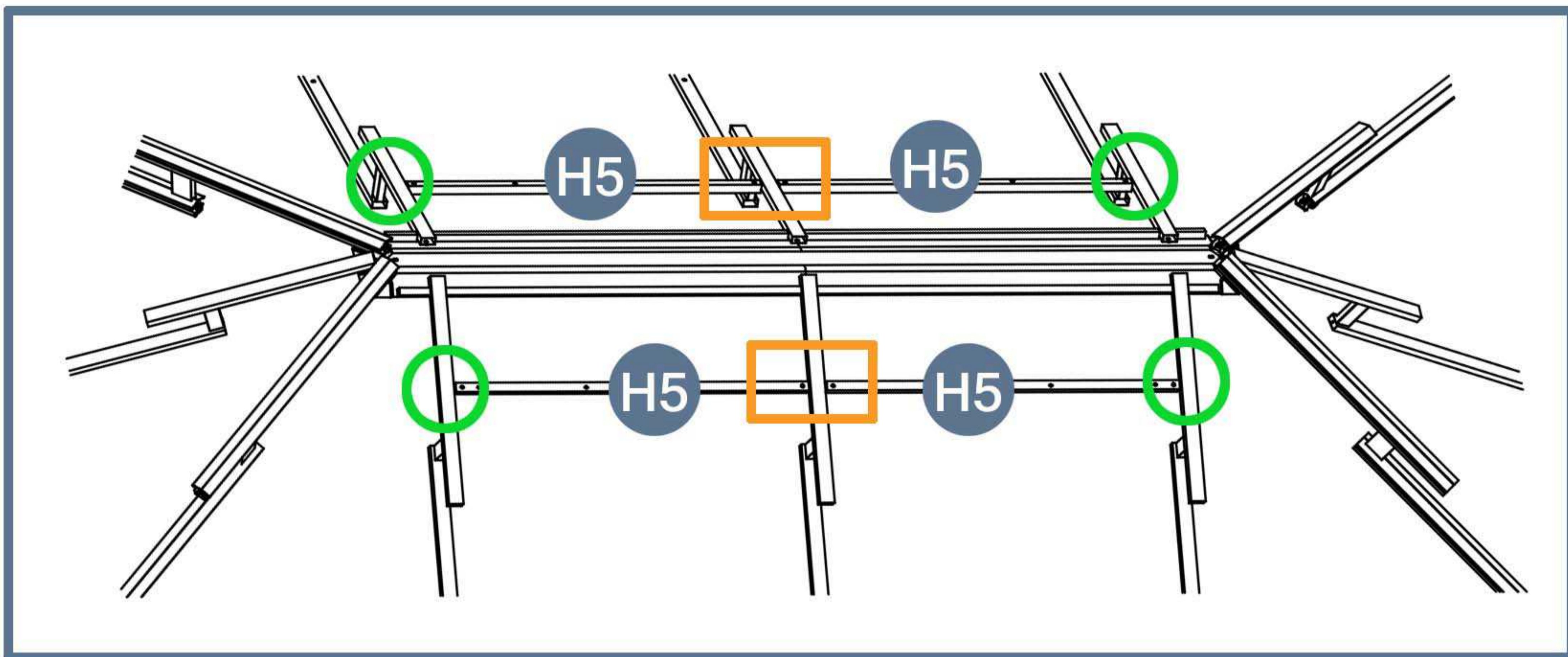
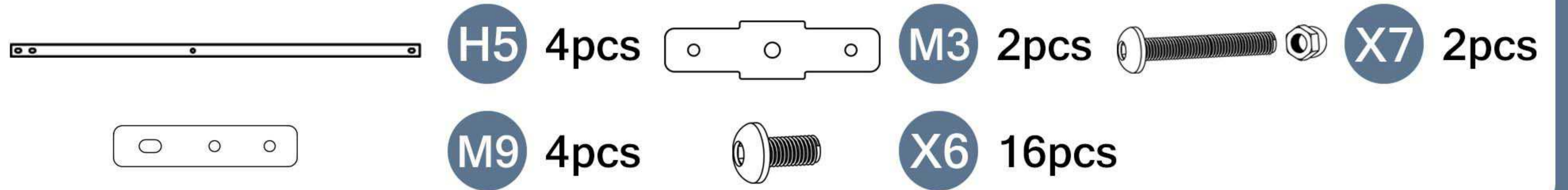


Please take care of the screws and contact the after-sales service if there is any problem with the installation or parts.

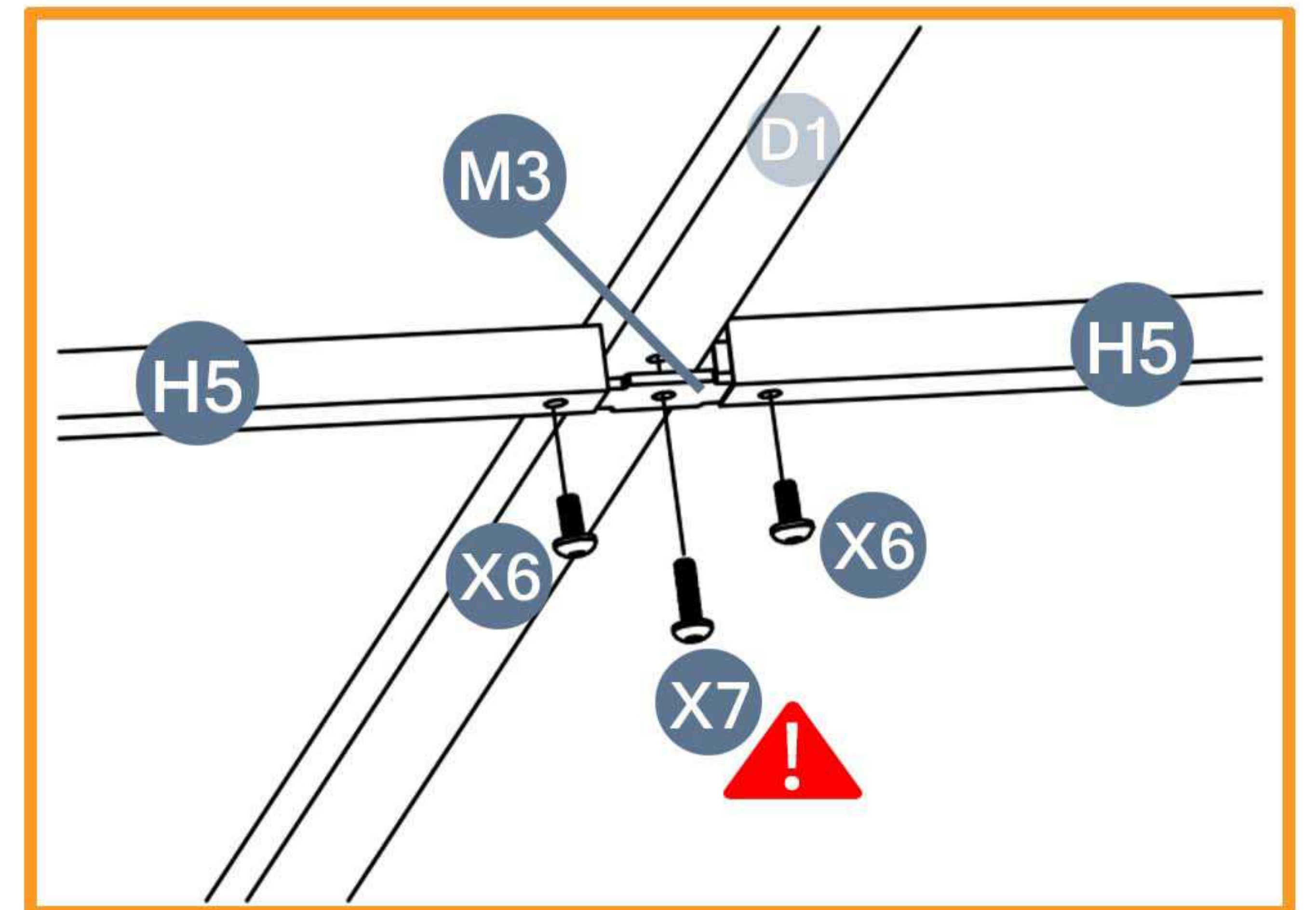
➔ ✉ E-mail: cs.helper01@gmail.com

STEP 9

Parts required

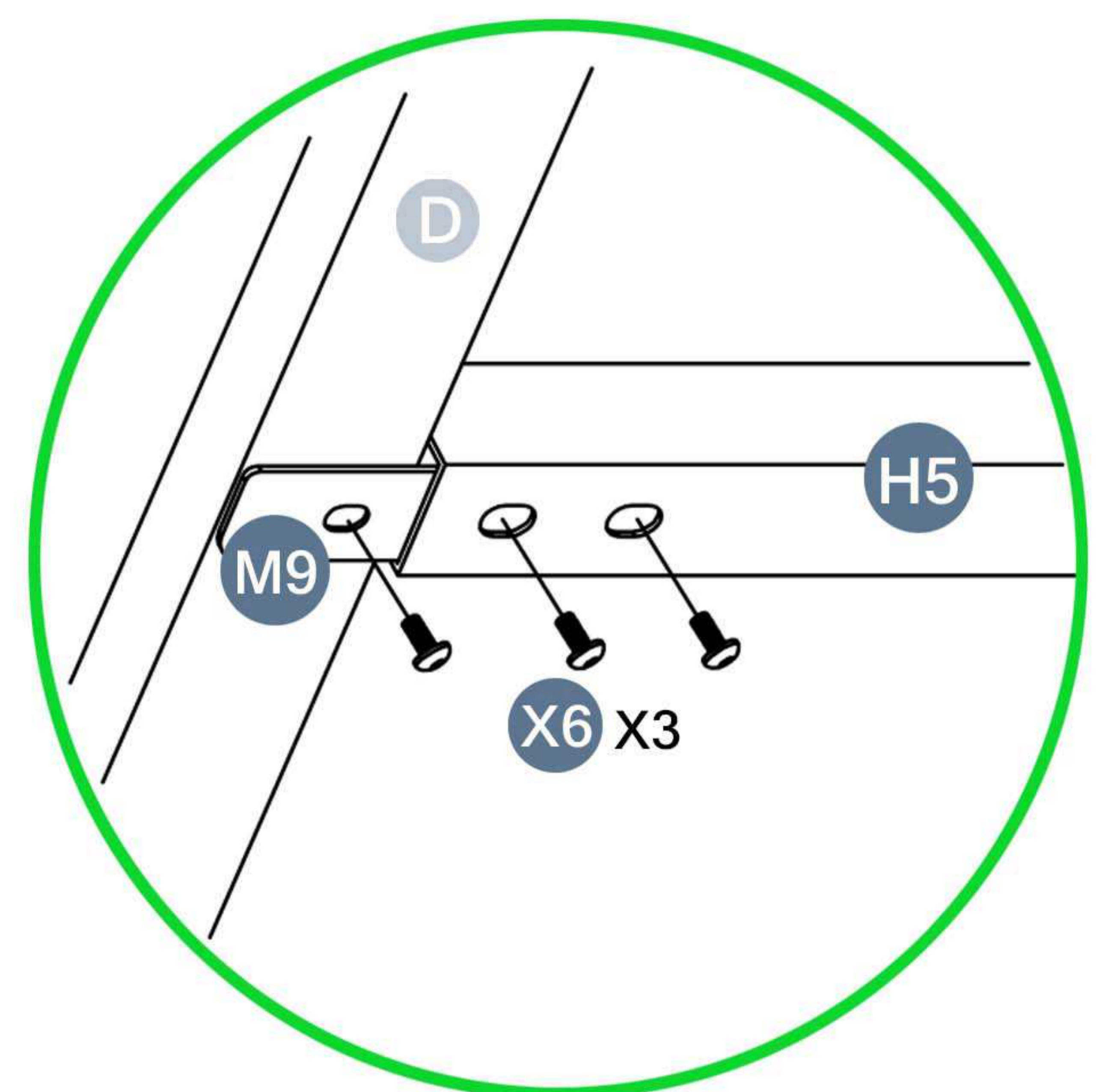
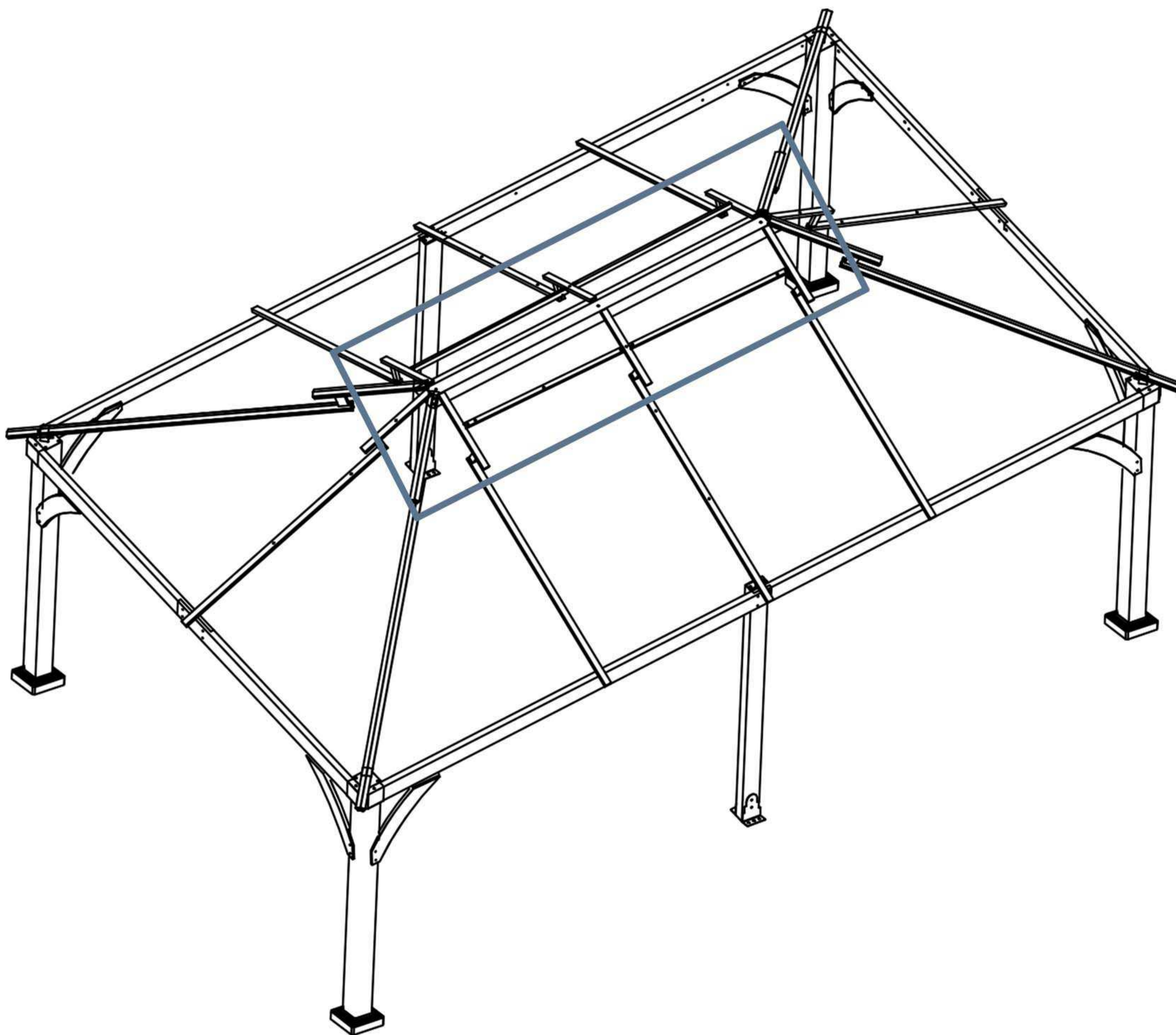


1



2

! Pay attention to the difference of screws



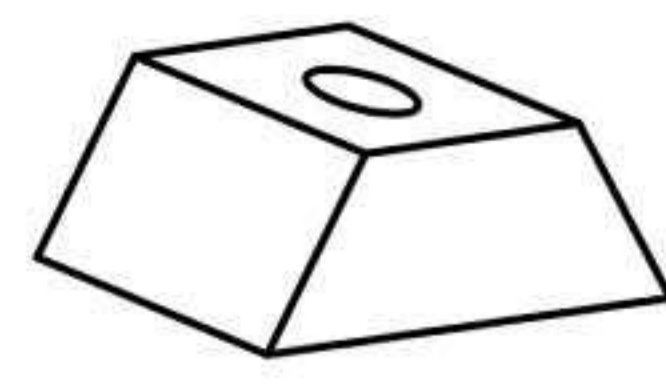
3

Please take care of the screws and contact the after-sales service if there is any problem with the installation or parts.

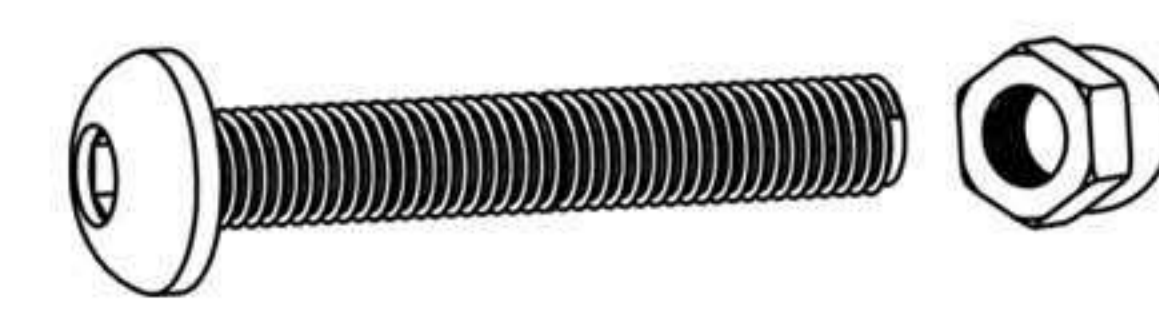
➔ E-mail: cs.helper01@gmail.com

STEP 10


Parts required

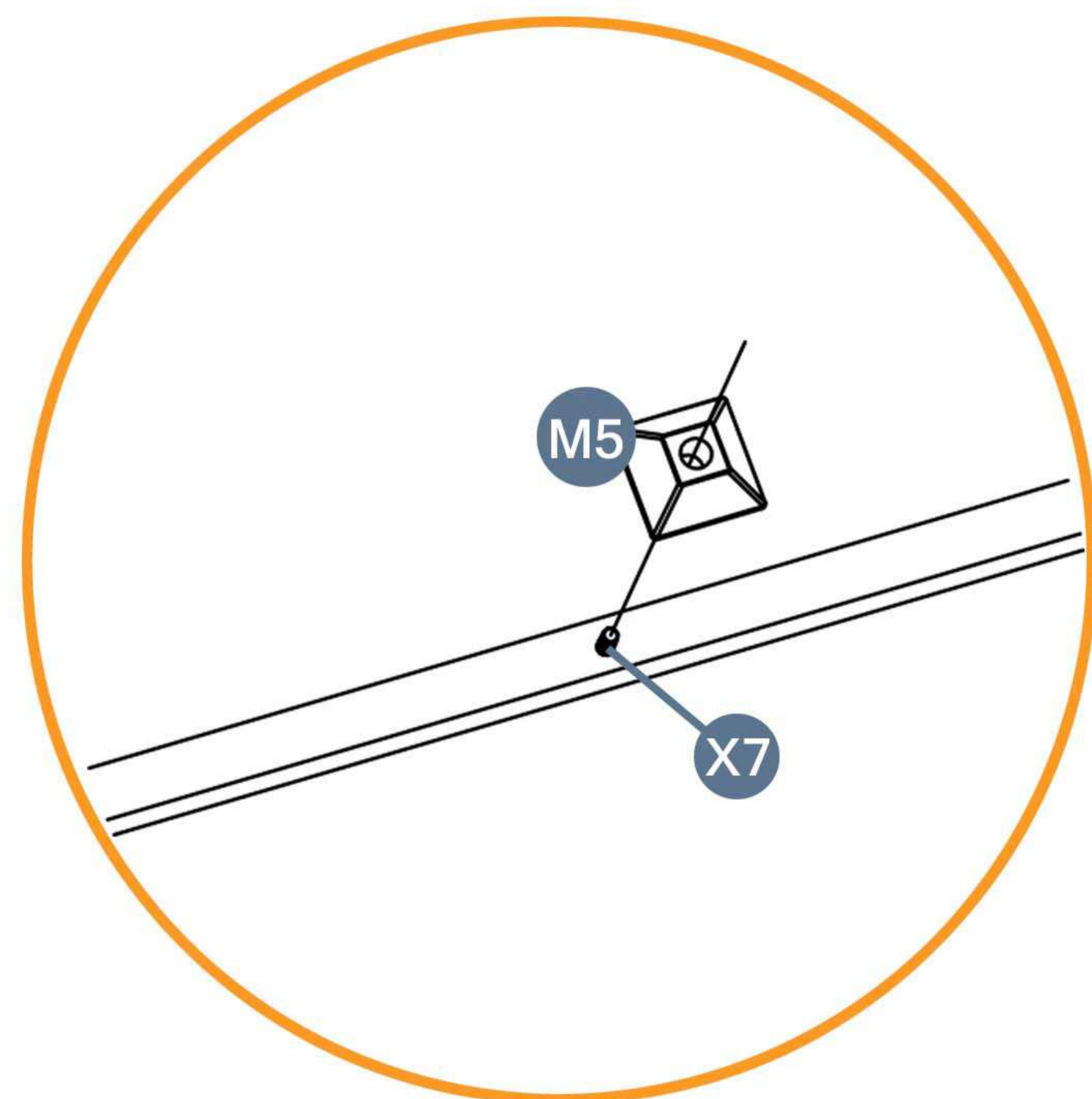
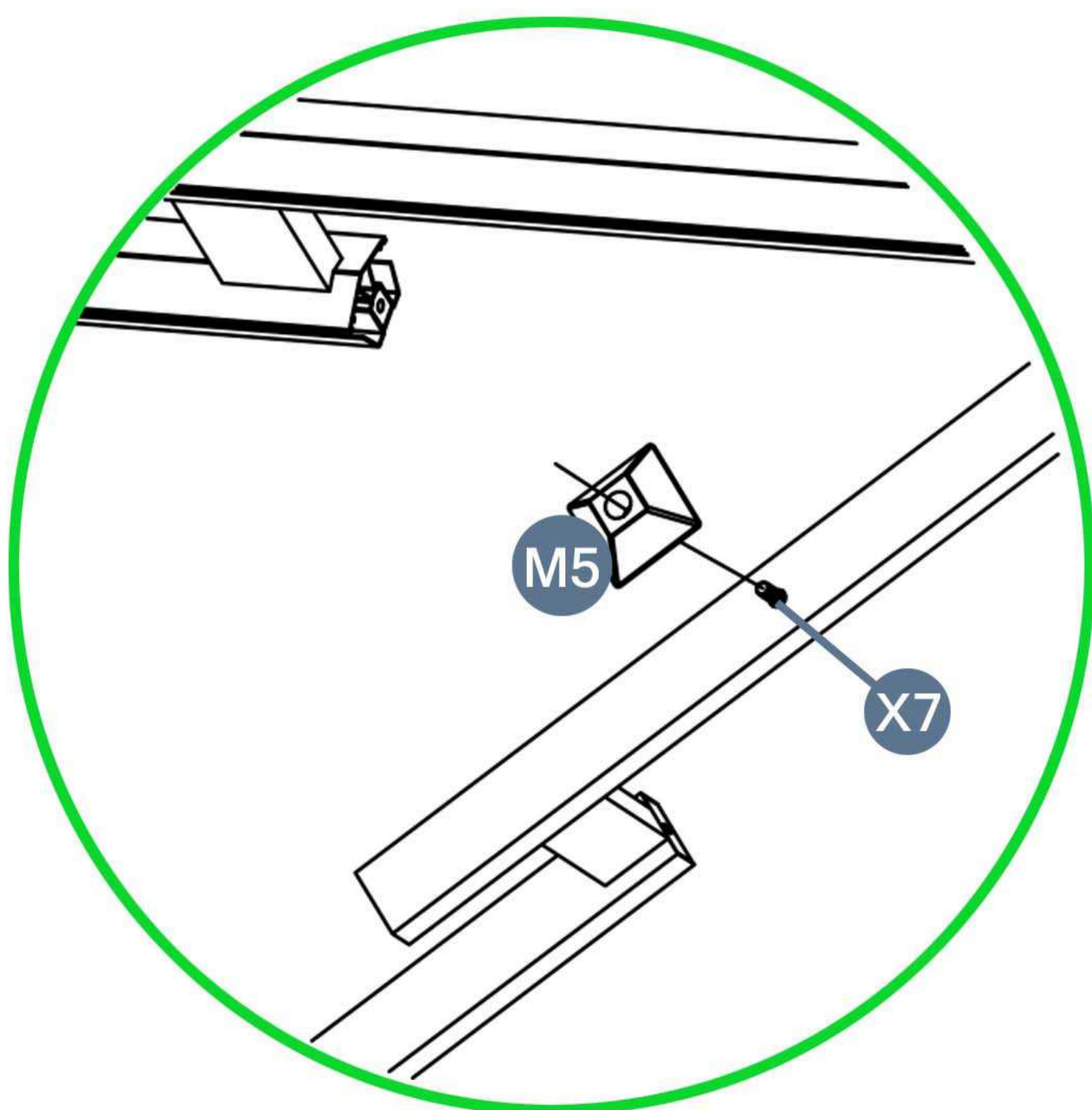
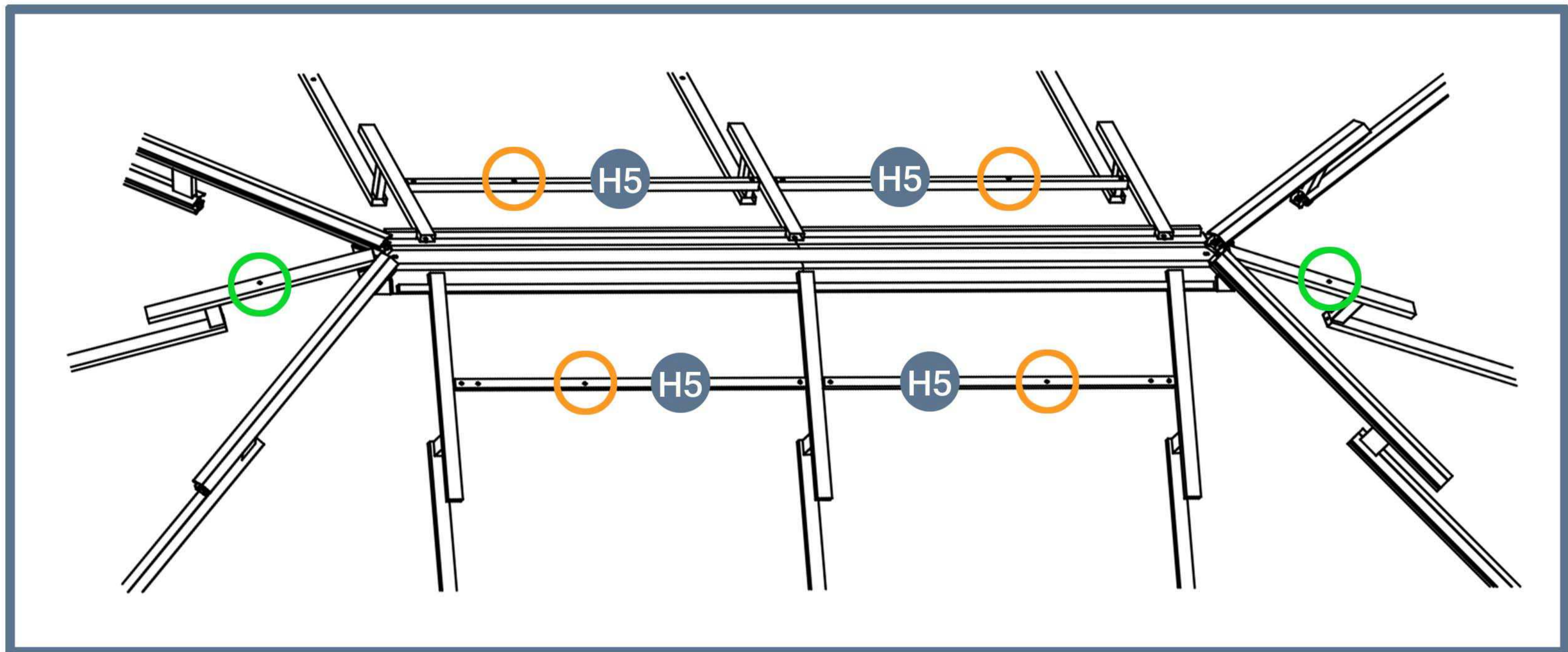


M5 8pcs



X7 6pcs

 Only X7 screws are used in this step. Please store the X7 nuts. Steps 11 will be used.



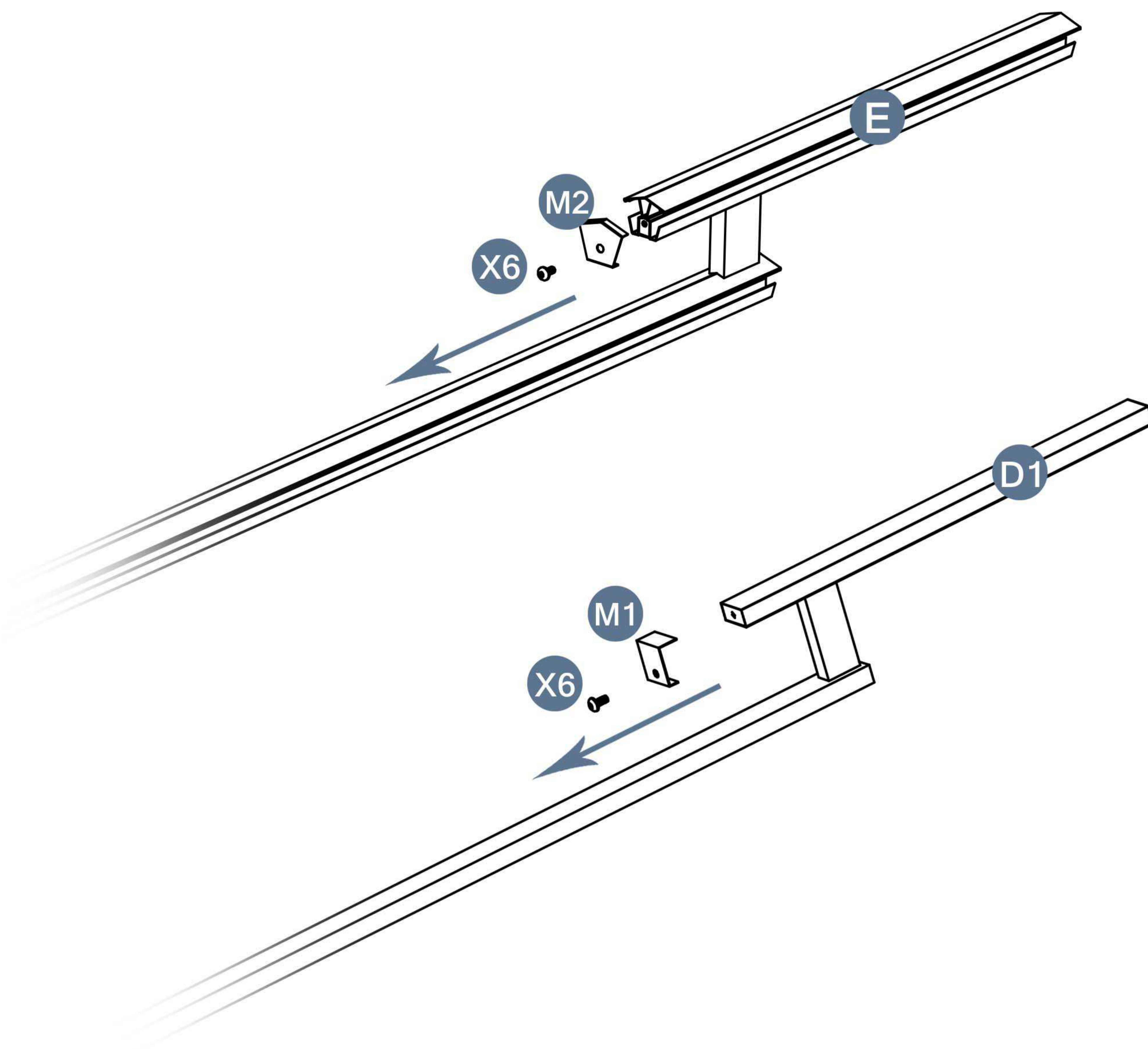
Please take care of the screws and contact the after-sales service if there is any problem with the installation or parts.



E-mail: cs.helper01@gmail.com

To prevent the loss of M2 and M1
we mounted the M2 and M1 on top of the E and D1 ahead of time

Before installing step 11, please remove the 4 M2's
and 2 M1's from the part E and D1. (Reinstall them during step 13) .

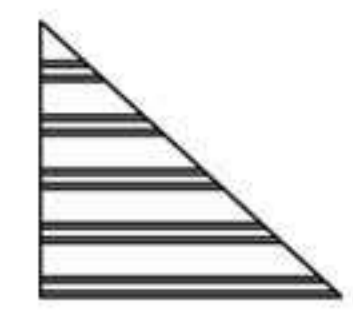


Please take care of the screws and contact the after-sales service if there is any problem with the installation or parts.

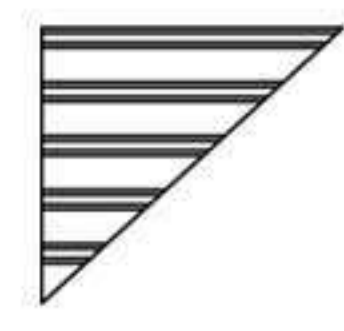
➔ ✉ E-mail: cs.helper01@gmail.com

STEP 11

Parts required



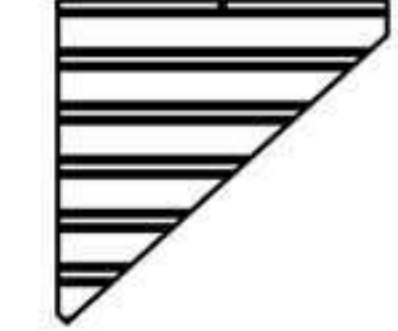
N6 2pcs



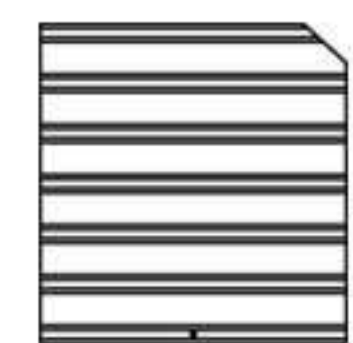
Y6 2pcs



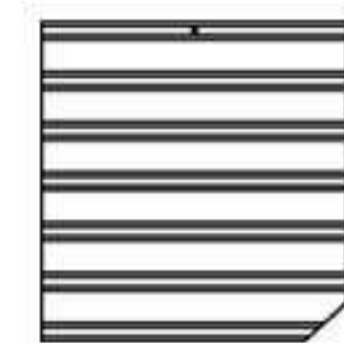
O5 2pcs



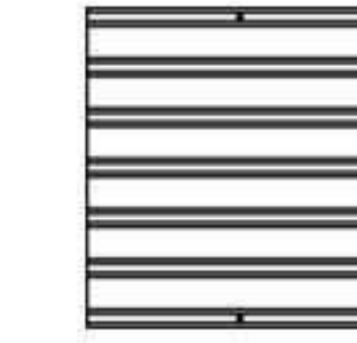
V5 2pcs



N7 2pcs



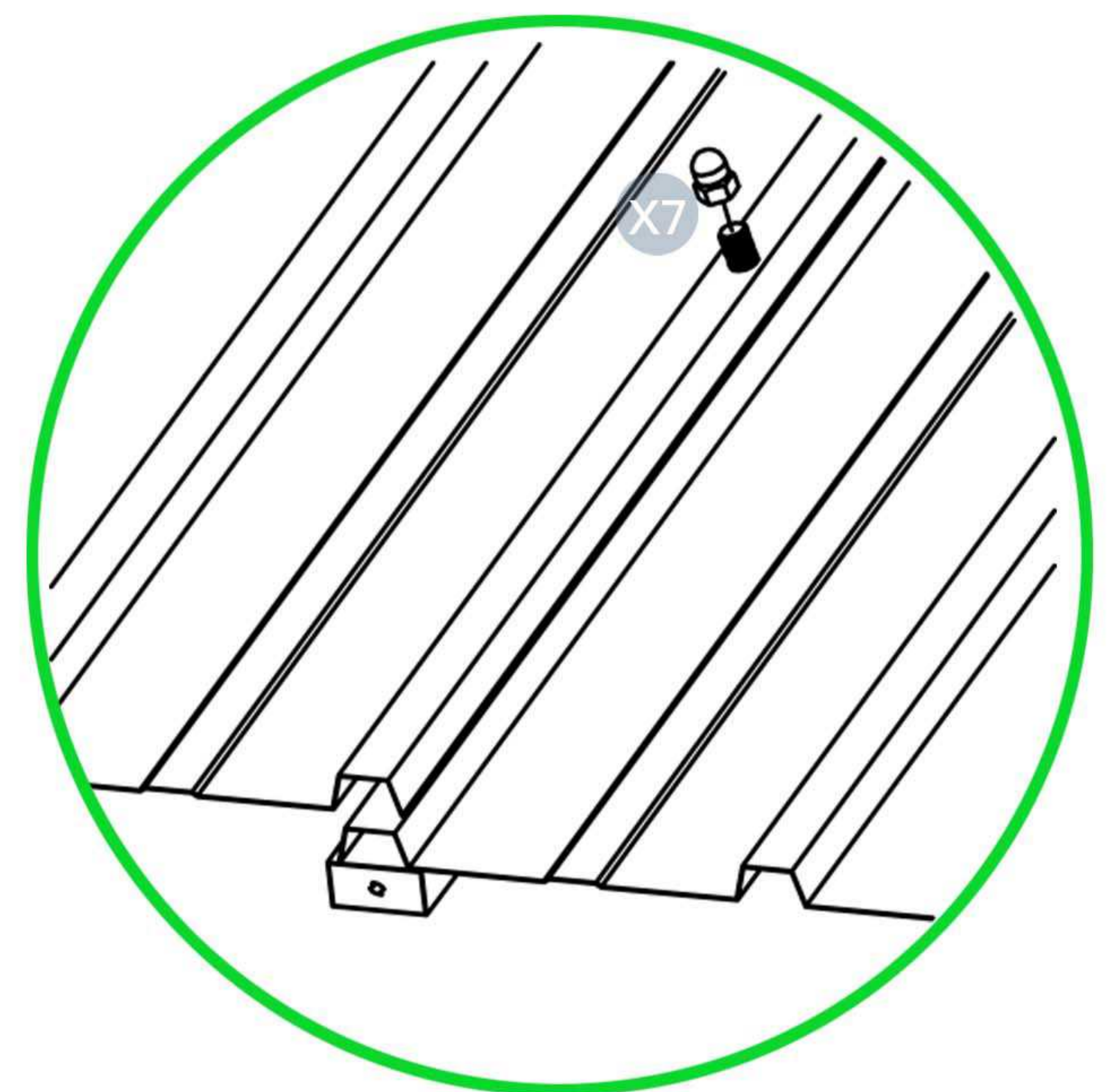
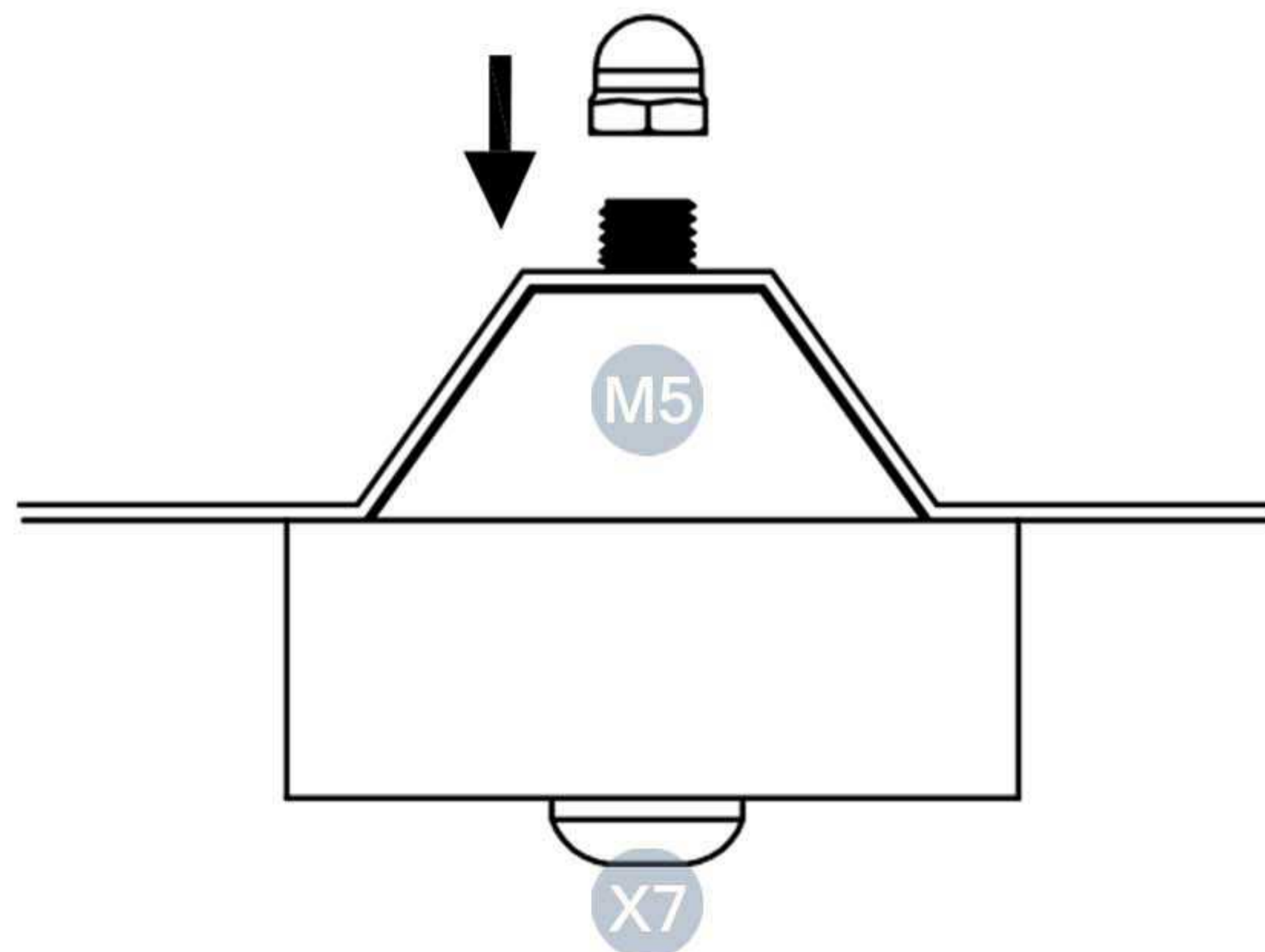
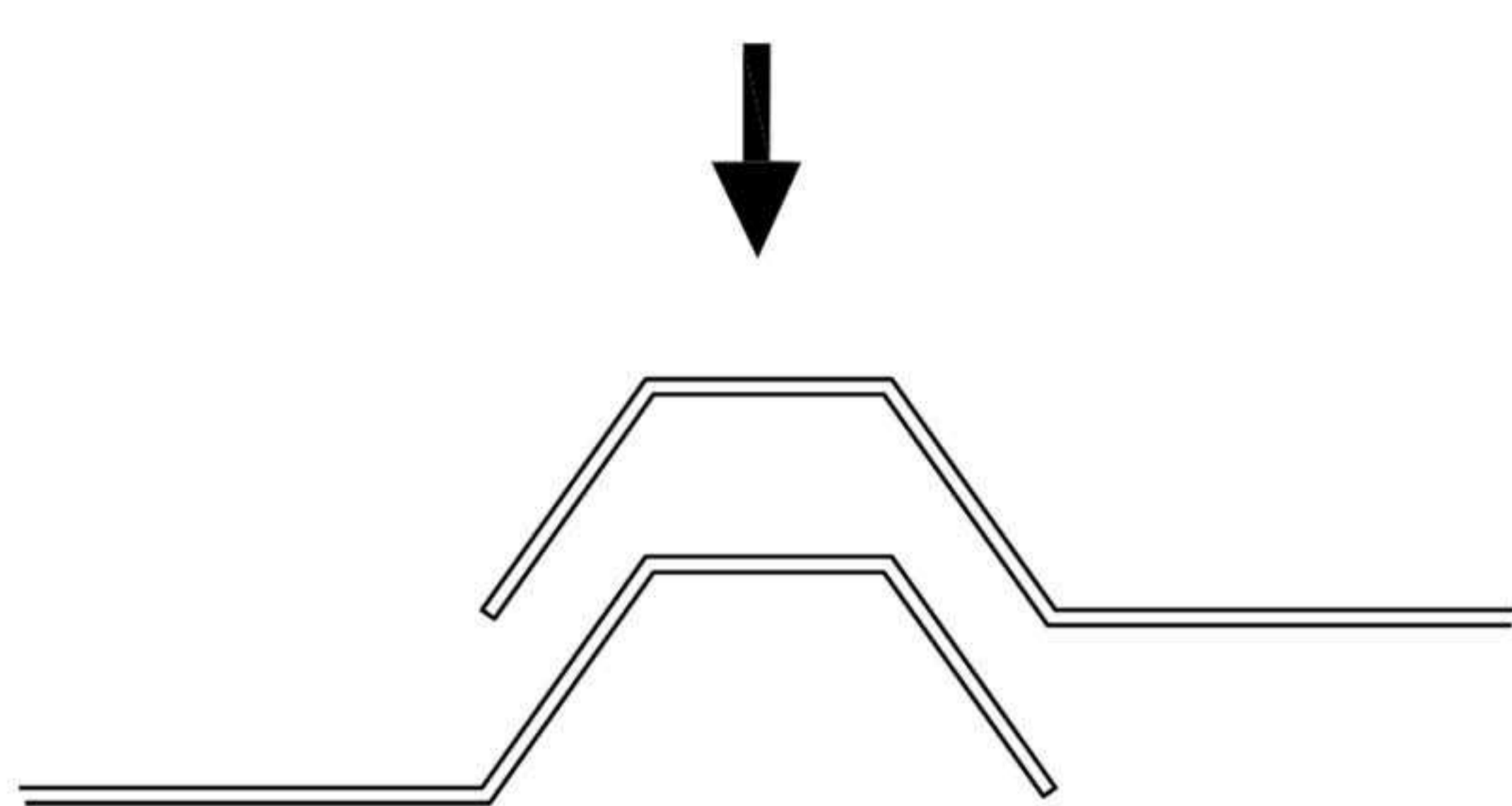
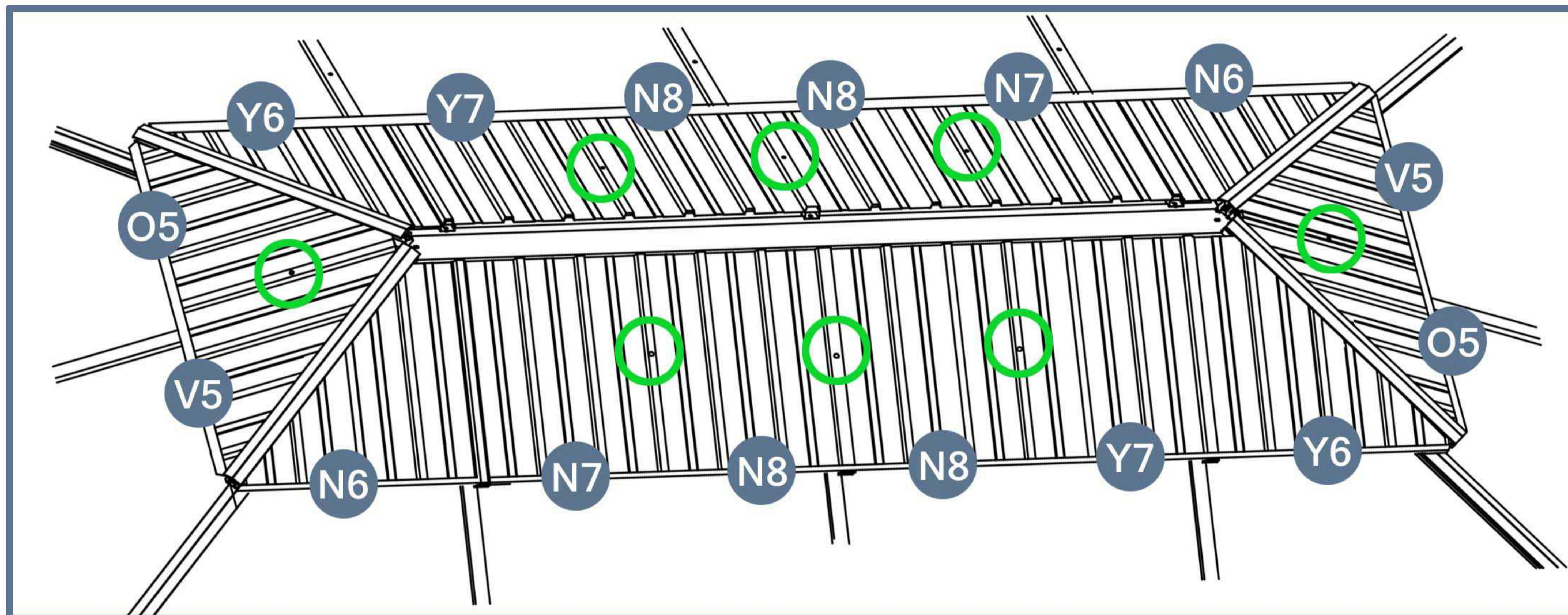
Y7 2pcs



N8 4pcs



In order to facilitate the installation, it is recommended to leave one side and not install it for the time being. Wait for the installation in step 12 to complete before installing.



● Side view

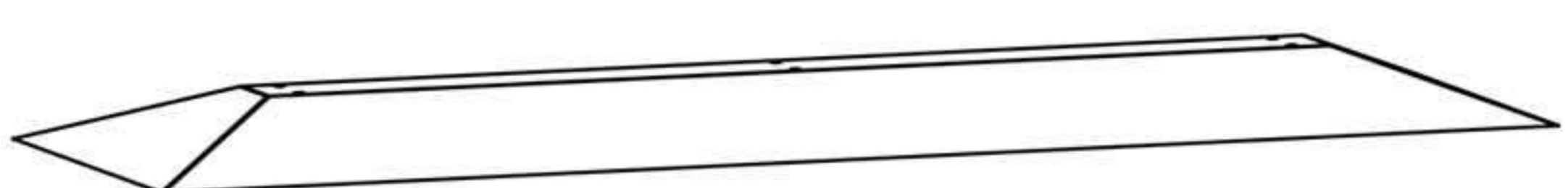
Please take care of the screws and contact the after-sales service if there is any problem with the installation or parts.



E-mail: cs.helper01@gmail.com

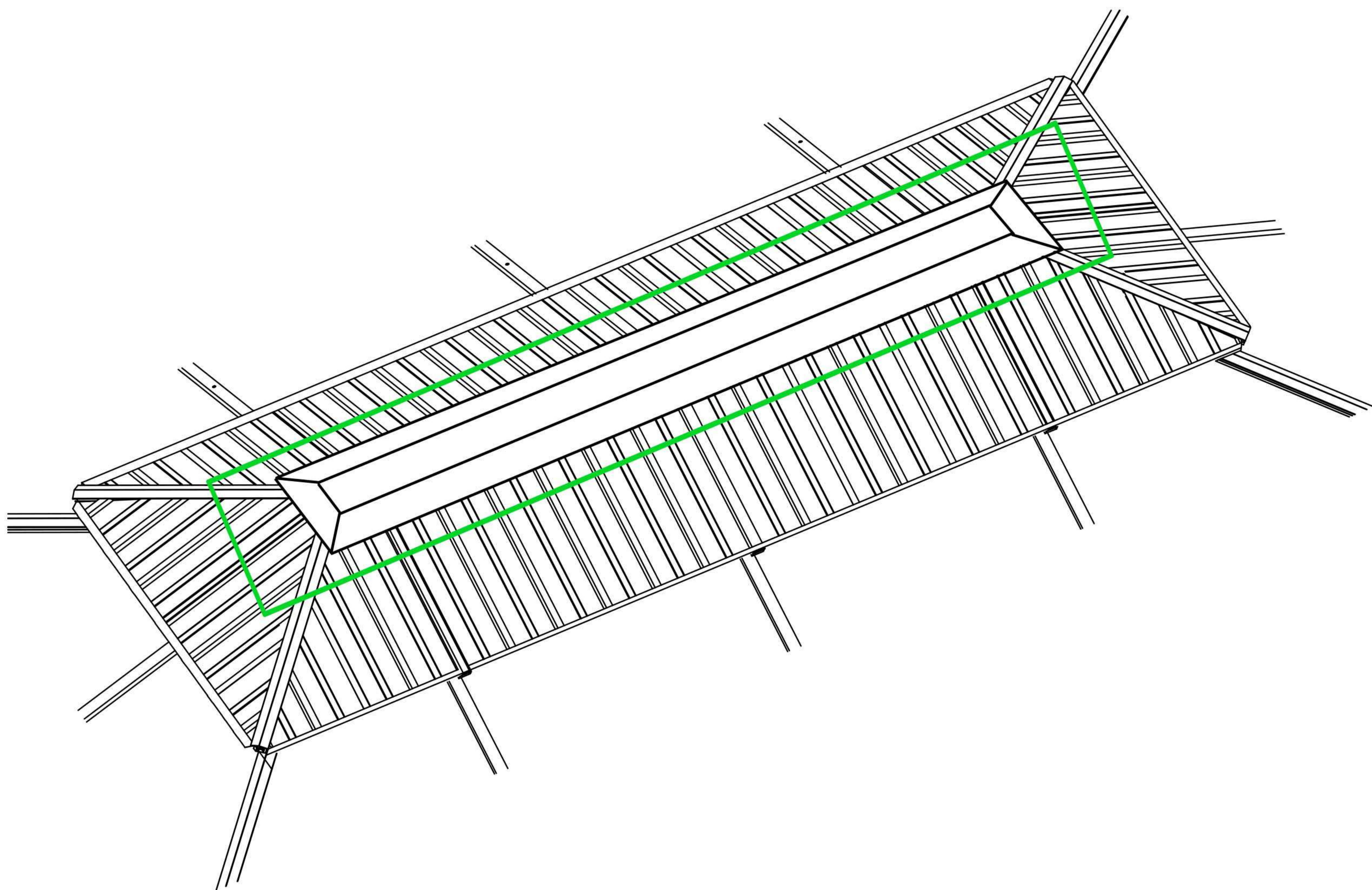
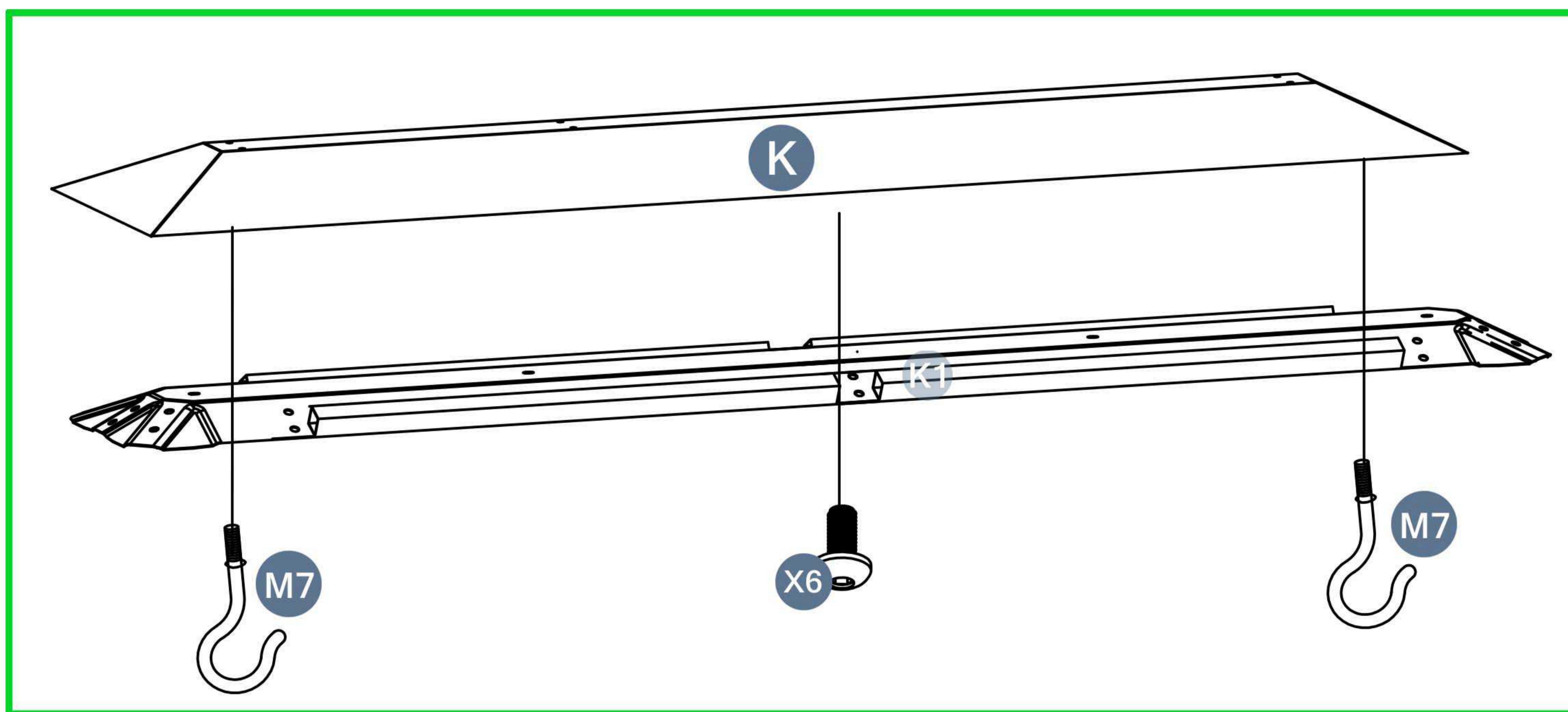
STEP 12

Parts required

 **K** 1pcs

 **M7** 2pcs

 **X6** 1pcs



Please take care of the screws and contact the after-sales service if there is any problem with the installation or parts.

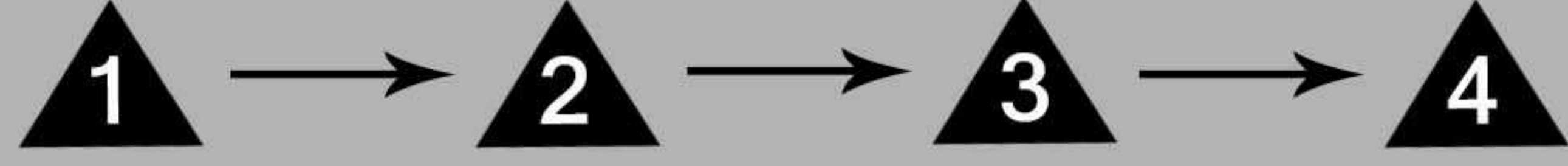


E-mail: cs.helper01@gmail.com

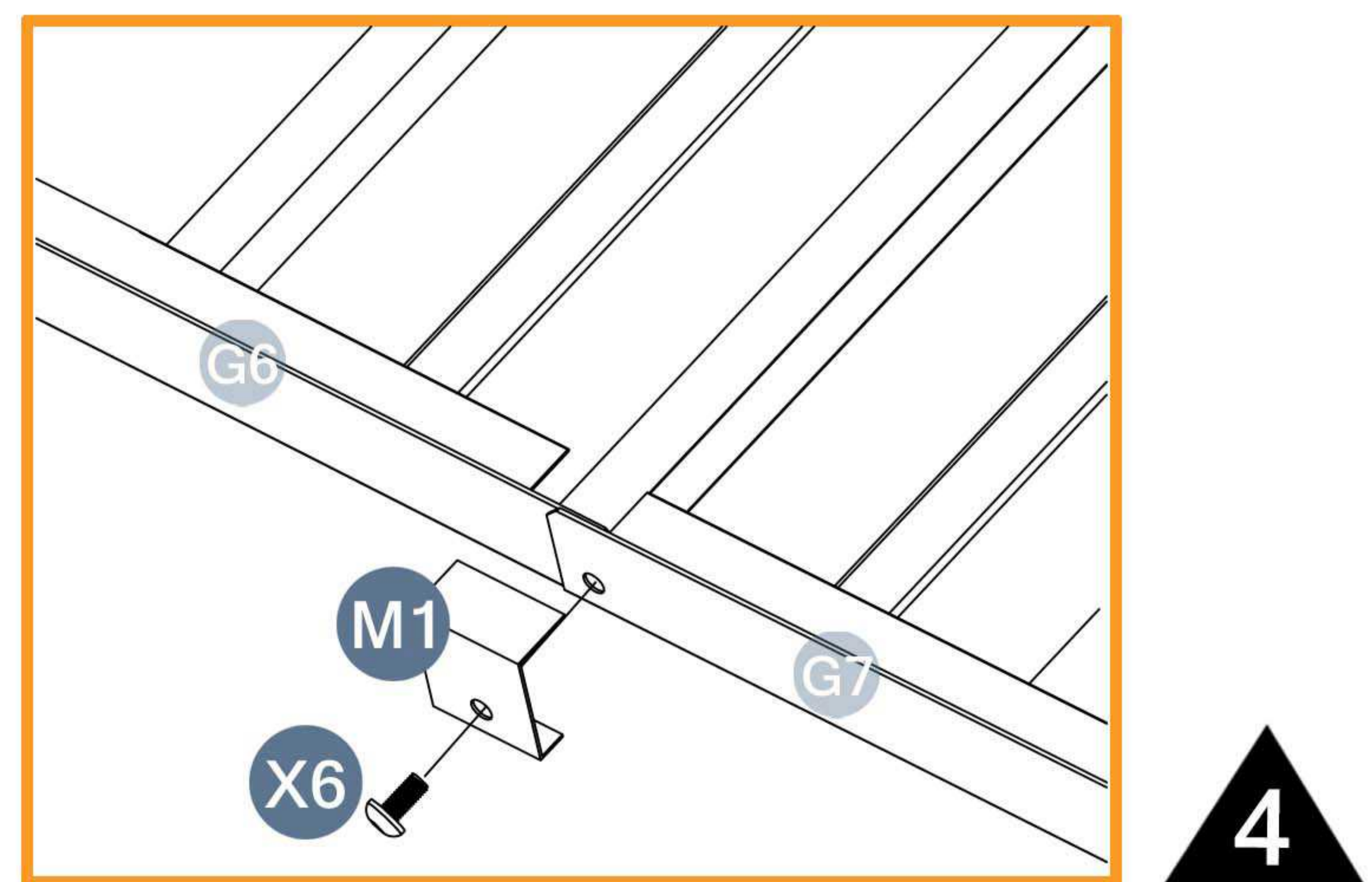
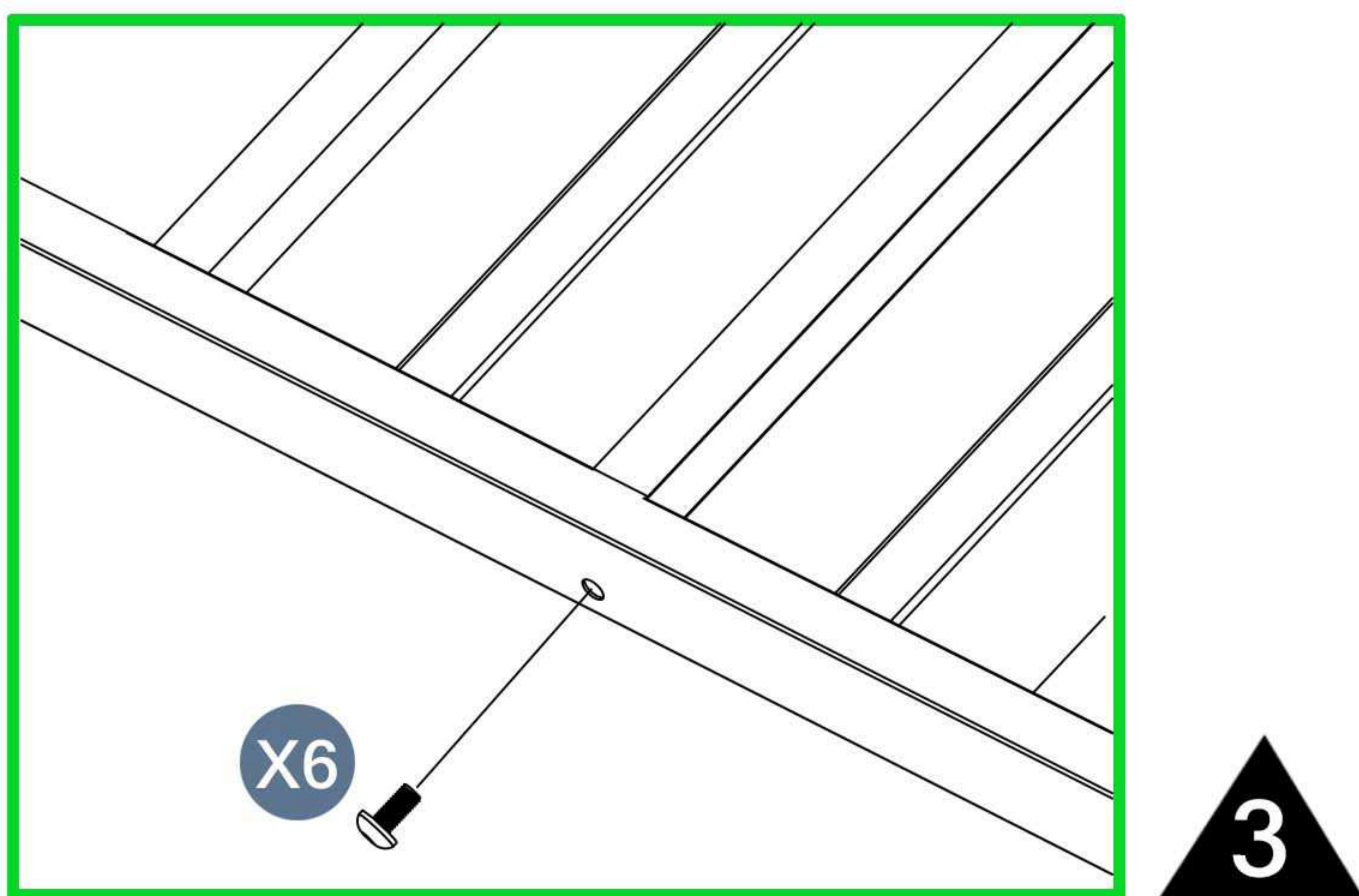
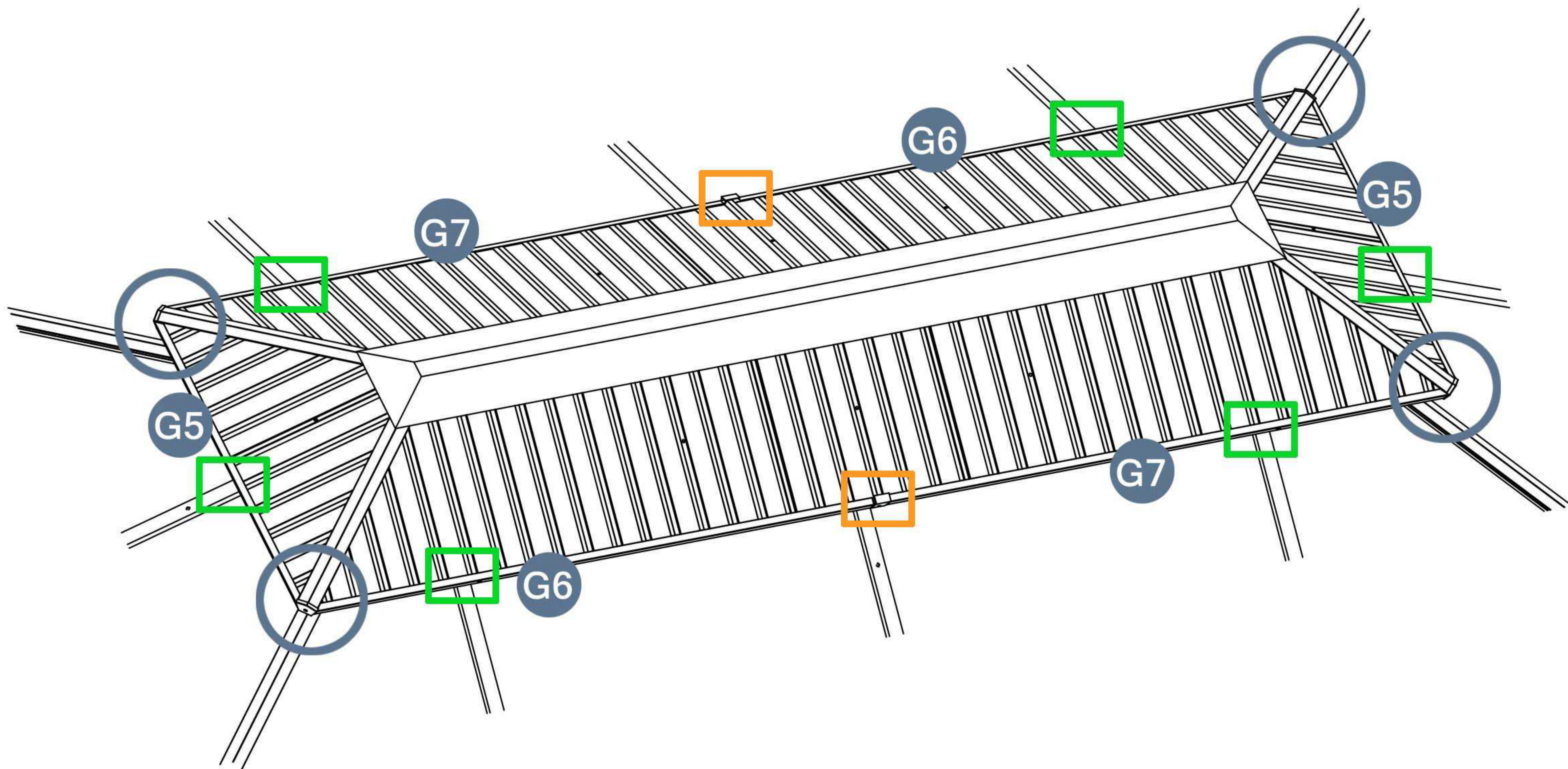
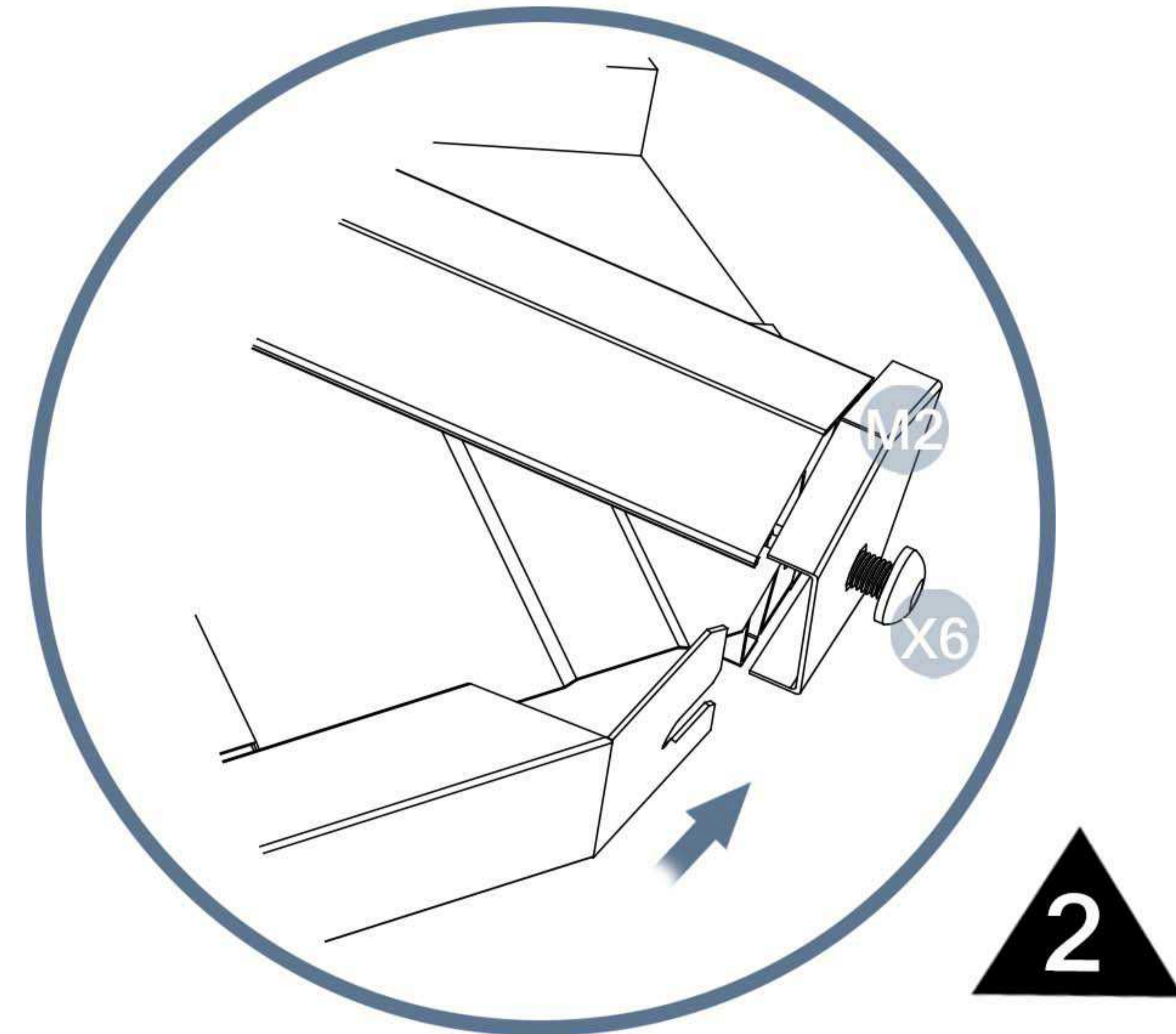
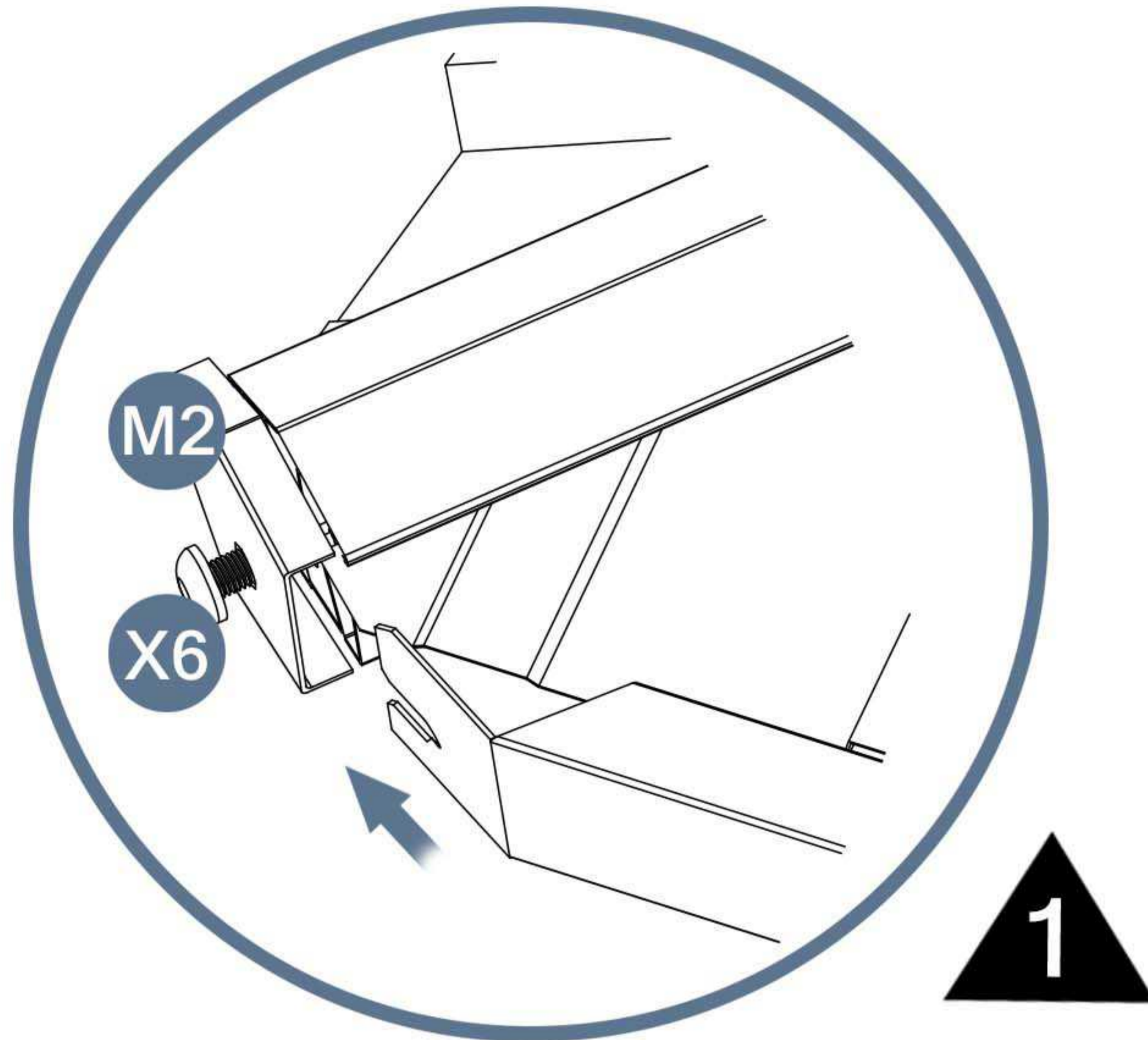
STEP 13

Parts required

	G5 2pcs		M2 4pcs
	G6 2pcs		M1 2pcs
	G7 2pcs		X6 12pcs



To better align the screws for practical situations, do not fully tighten screws initially.

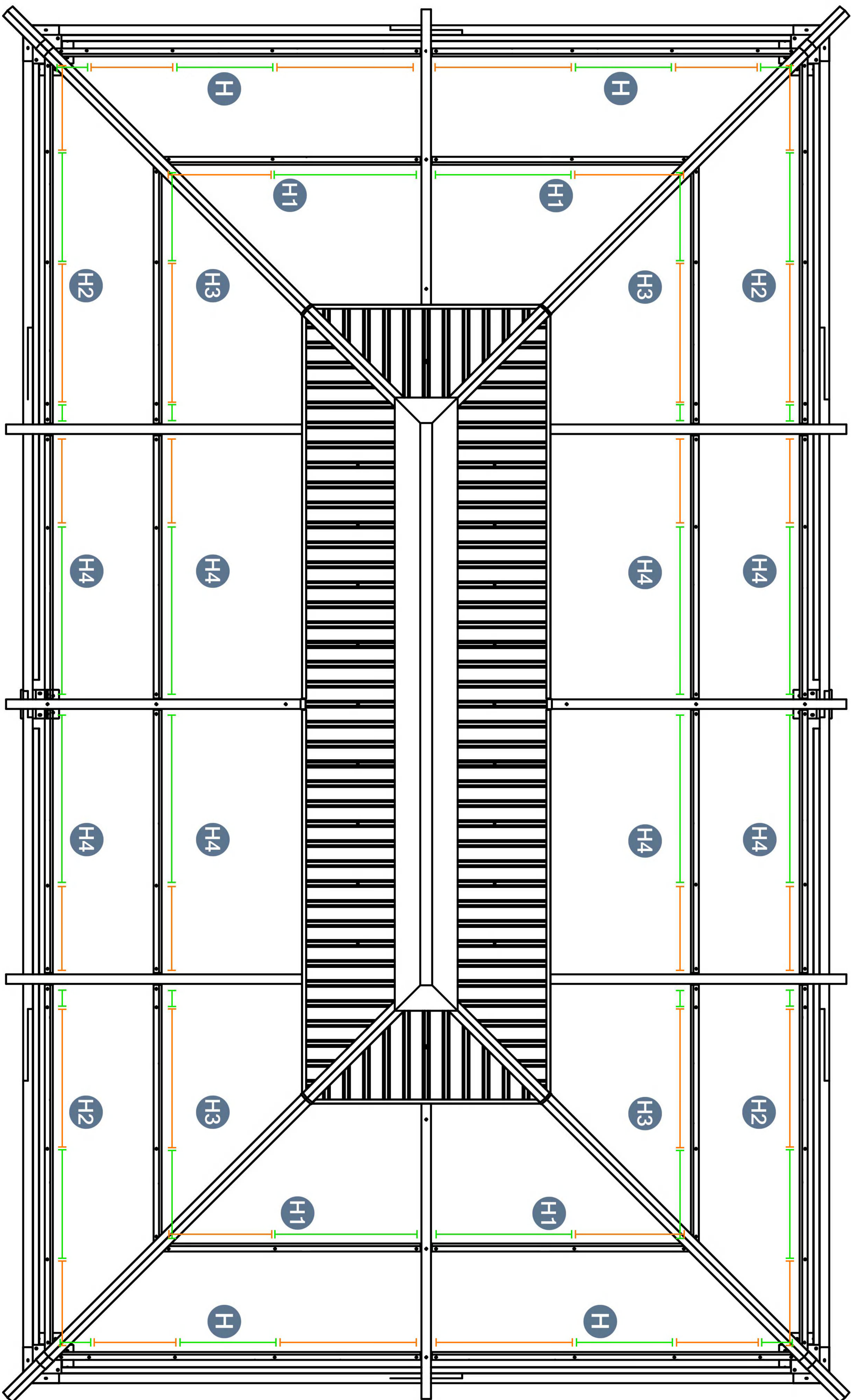


Please take care of the screws and contact the after-sales service if there is any problem with the installation or parts.

➔ ✉ E-mail: cs.helper01@gmail.com

Please refer to this diagram when assembling step 14 of the instructions.

Pay attention to the spacing and direction of the holes in H/H1/H2/H3/H4 to avoid affecting the subsequent installation.


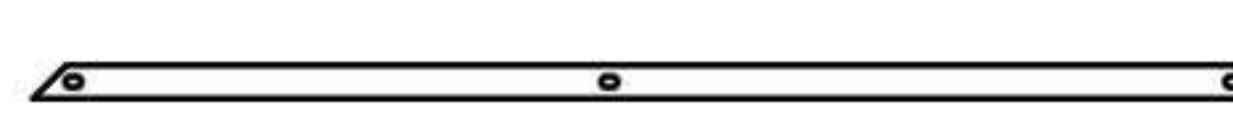
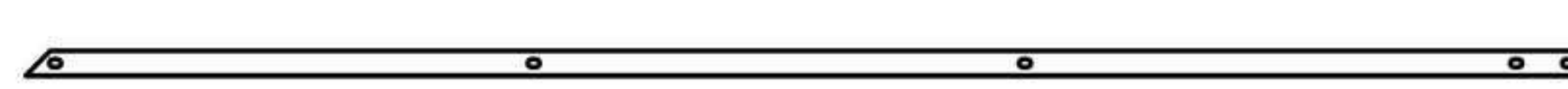



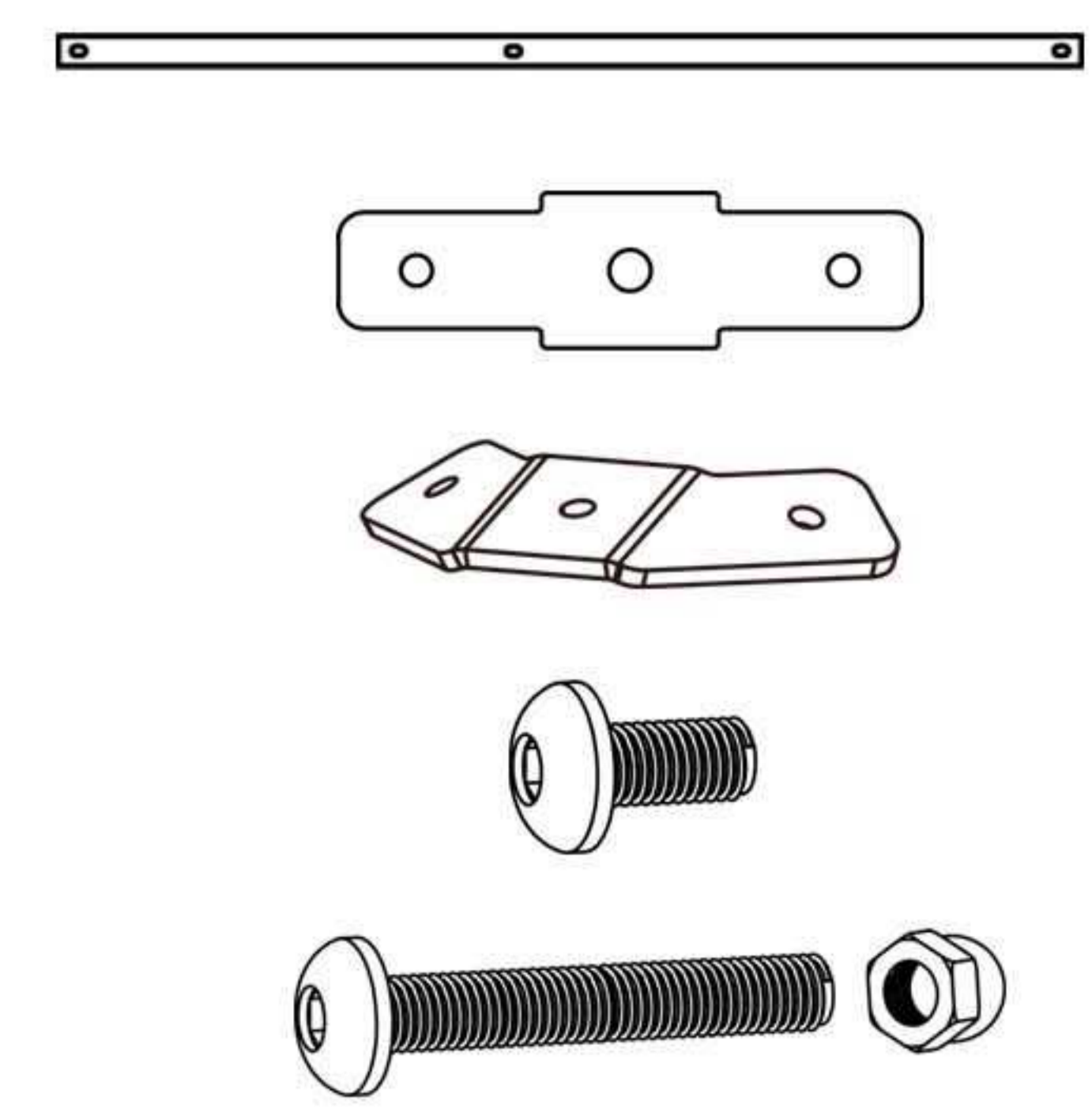
Please take care of the screws and contact the after-sales service if there is any problem with the installation or parts.




➔ ✉ E-mail: cs.helper01@gmail.com

STEP 14

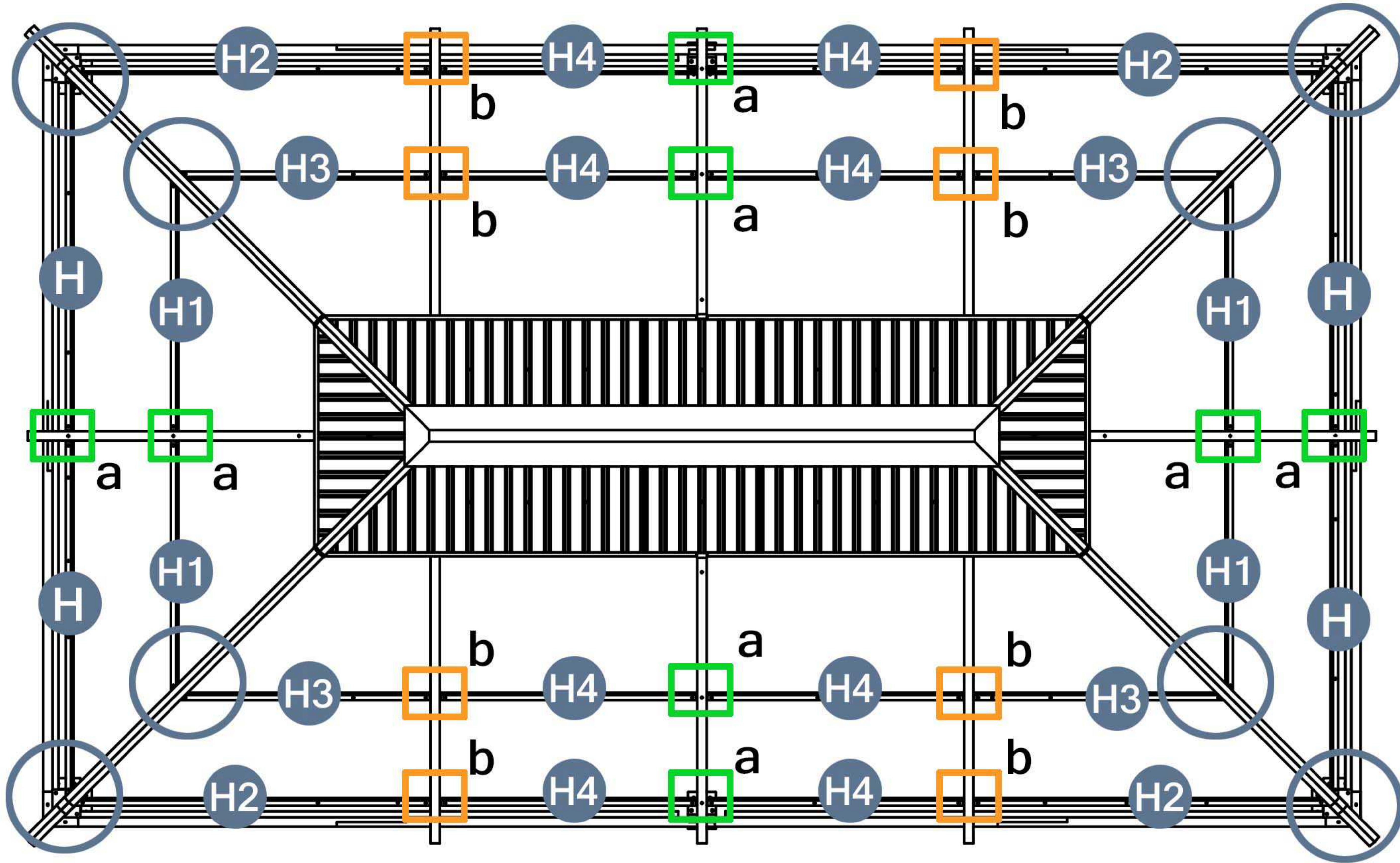
Parts required

-  H 4pcs
-  H1 4pcs
-  H2 4pcs
-  H3 4pcs

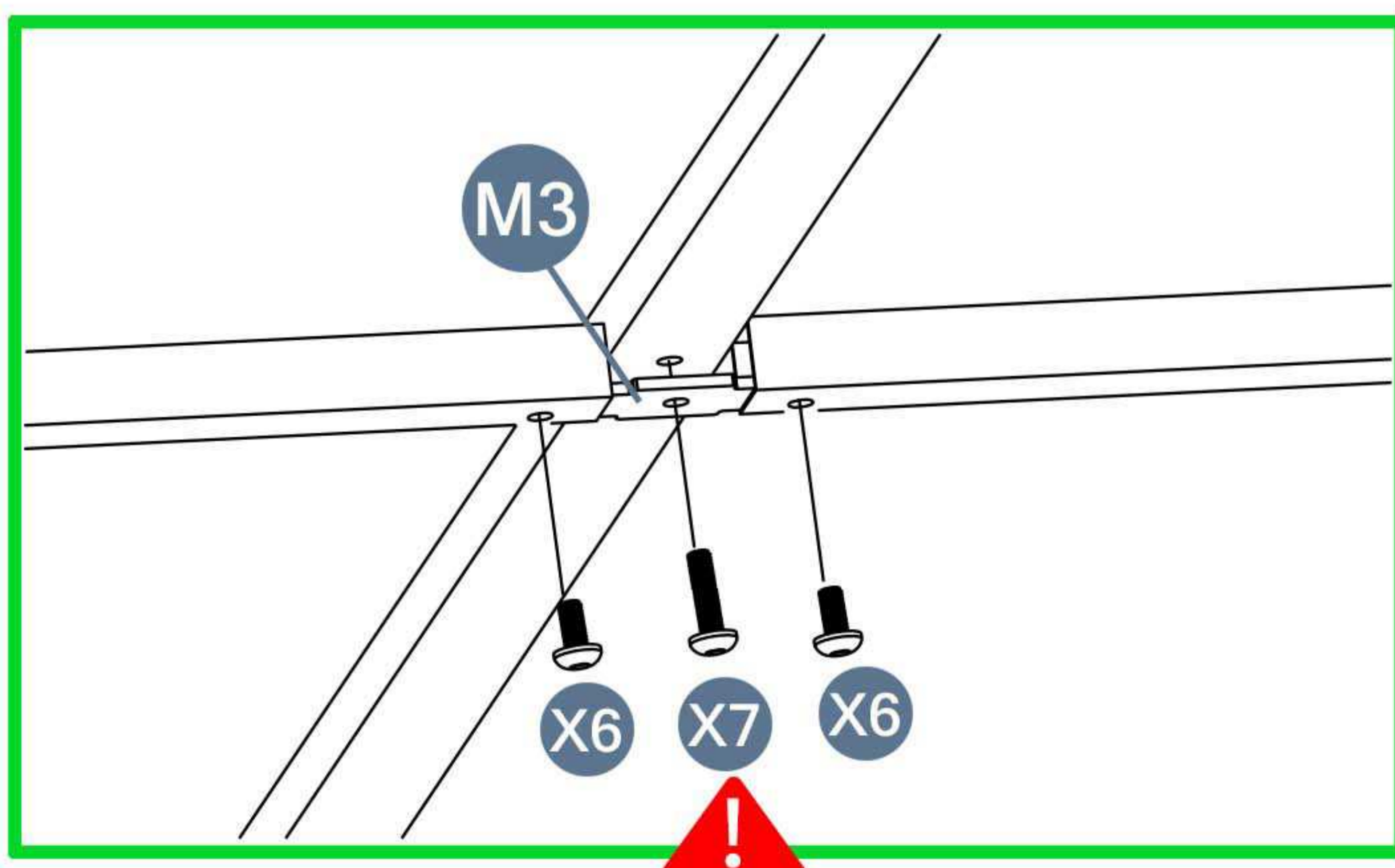



-  H4 8pcs
-  M3 16pcs
-  M4 8pcs
-  X6 64pcs
-  X7 8pcs

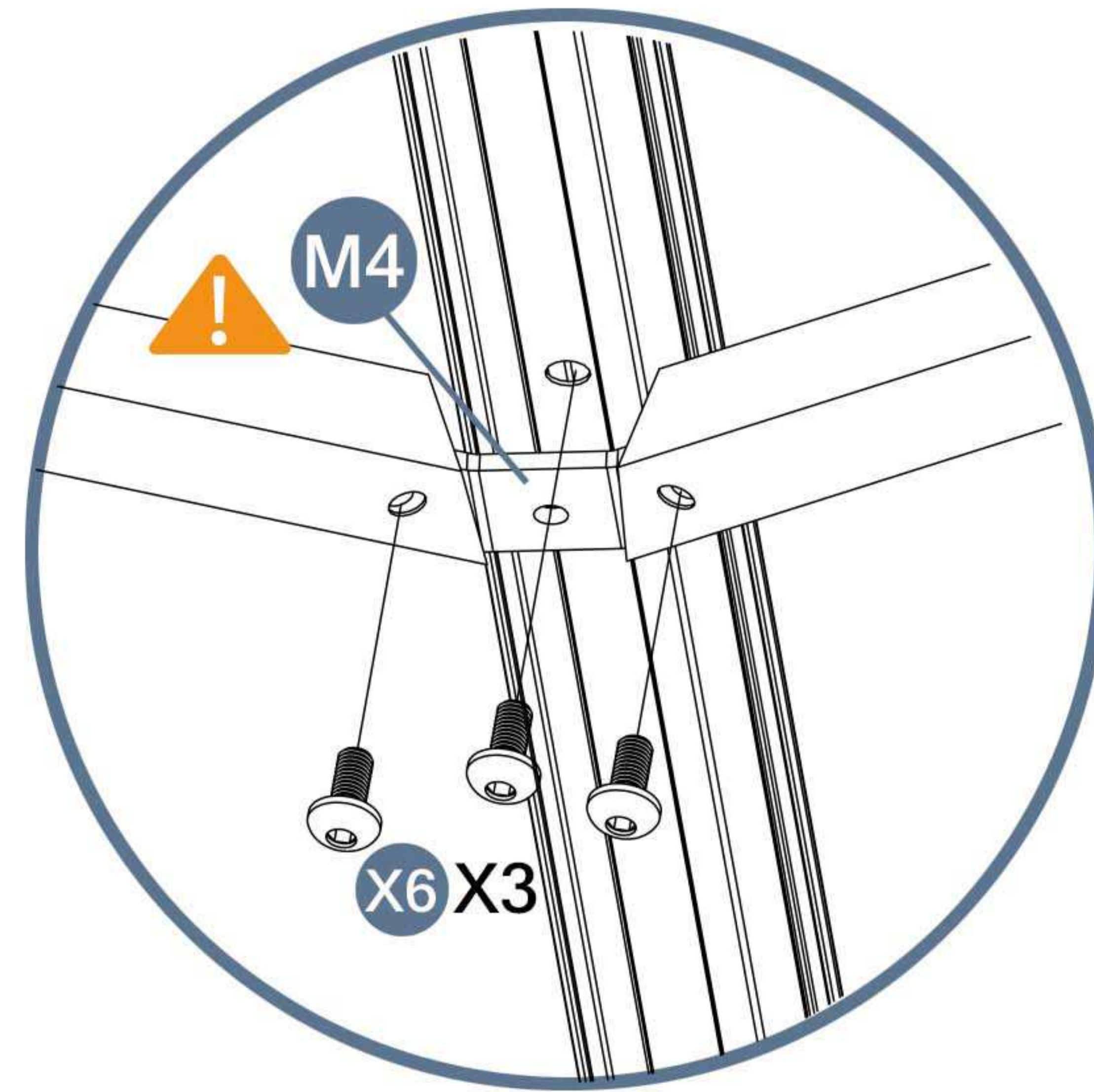
Only X7 screws are used in this step. Please store the X7 nuts. Steps 15 and 16 will be used.
To better align the screws for practical situations, do not fully tighten screws initially.




a

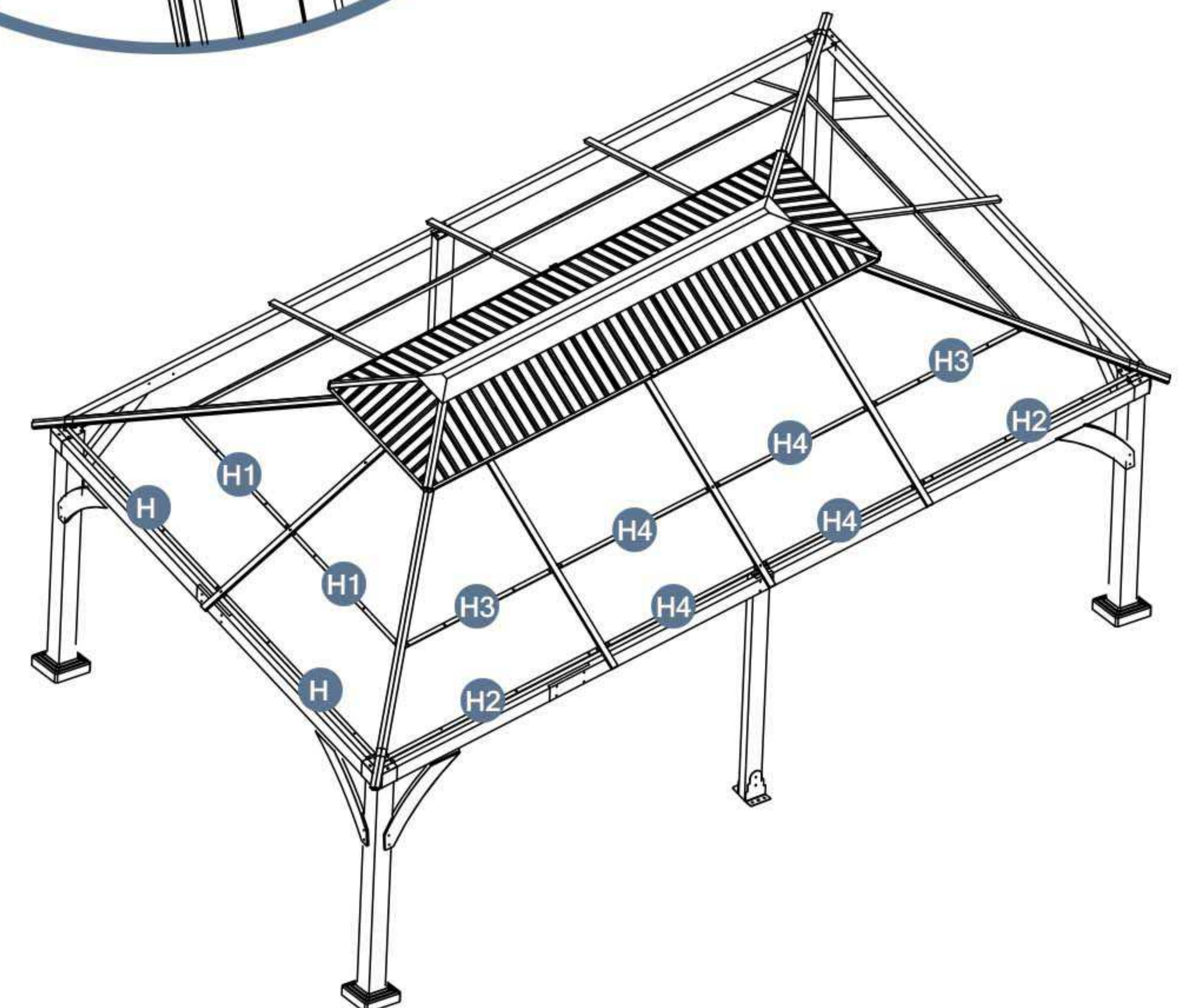
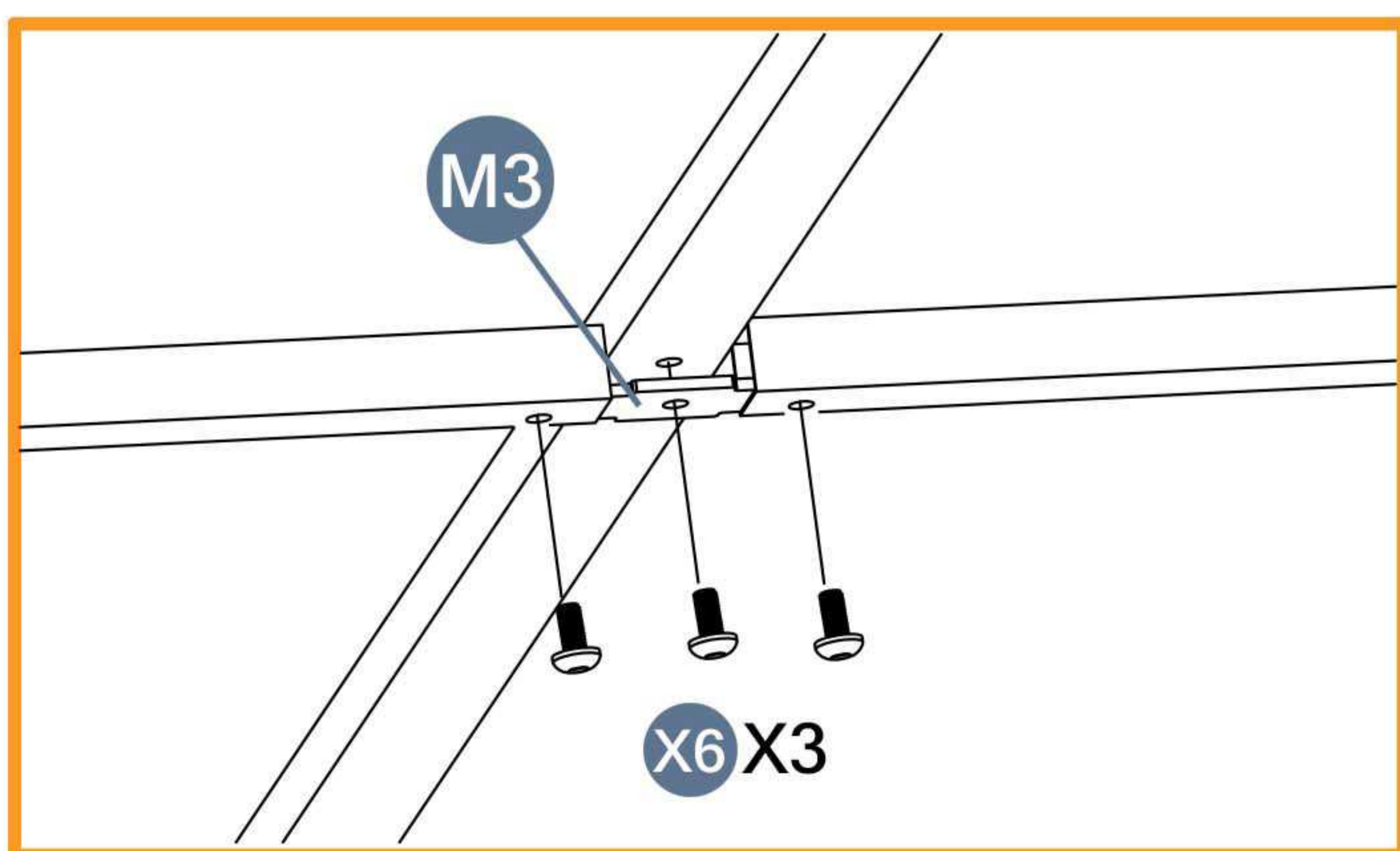


 Pay attention to the difference of screws



 M4 needs to be inserted into both tubes, aligned with the holes.

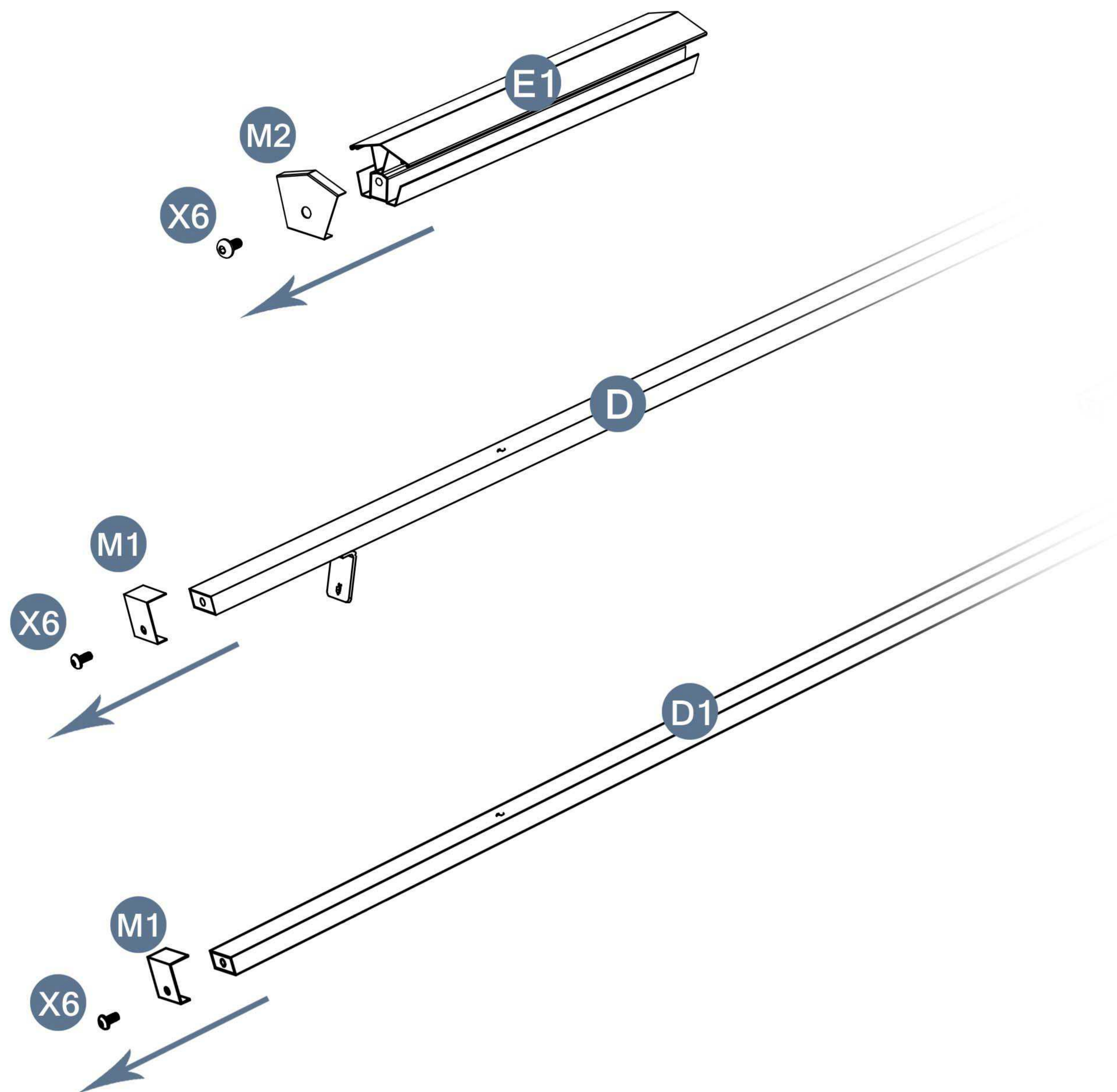
b



Please take care of the screws and contact the after-sales service if there is any problem with the installation or parts.

To prevent the loss of M2 and M1
we mounted the M2 and M1 on top of the E1/D and D1 ahead of time

Before installing step 15, please remove the 4 M2's
and 8 M1's from the part E1/D and D1. (Reinstall them during step 17) .



Please take care of the screws and contact the after-sales service if there is any problem with the installation or parts.

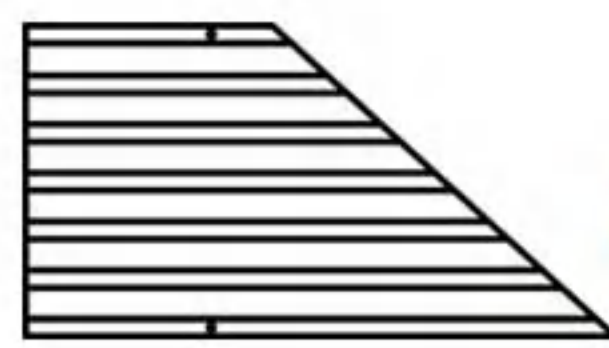
➔ ✉ E-mail: cs.helper01@gmail.com

STEP 15

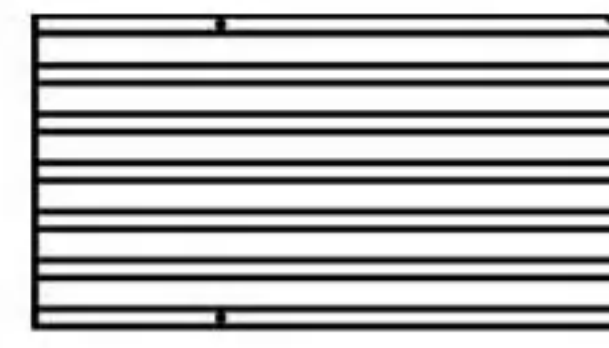
Parts required



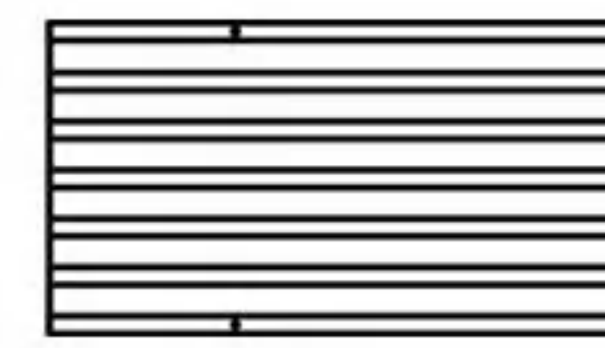
O1 2pcs



O2 2pcs



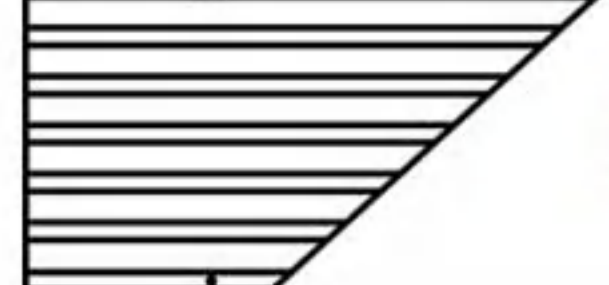
O3 2pcs



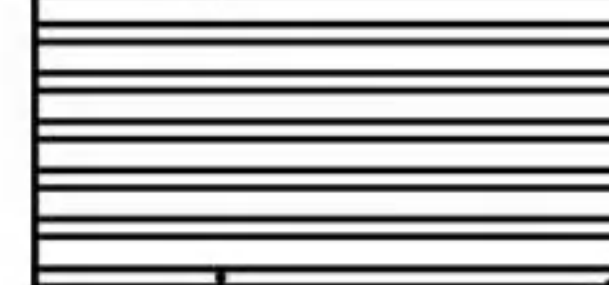
O4 2pcs



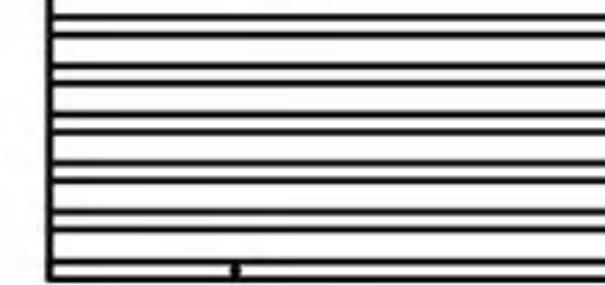
V1 2pcs



V2 2pcs



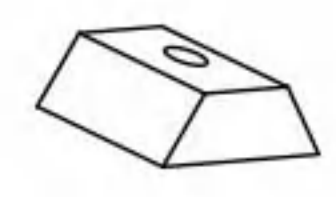
V3 2pcs



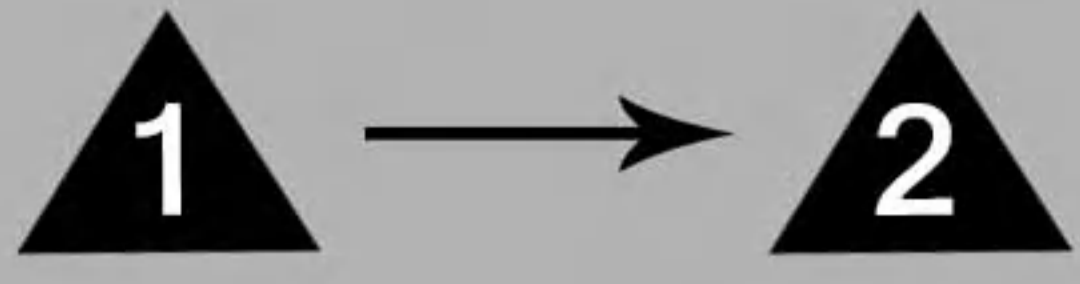
V4 2pcs



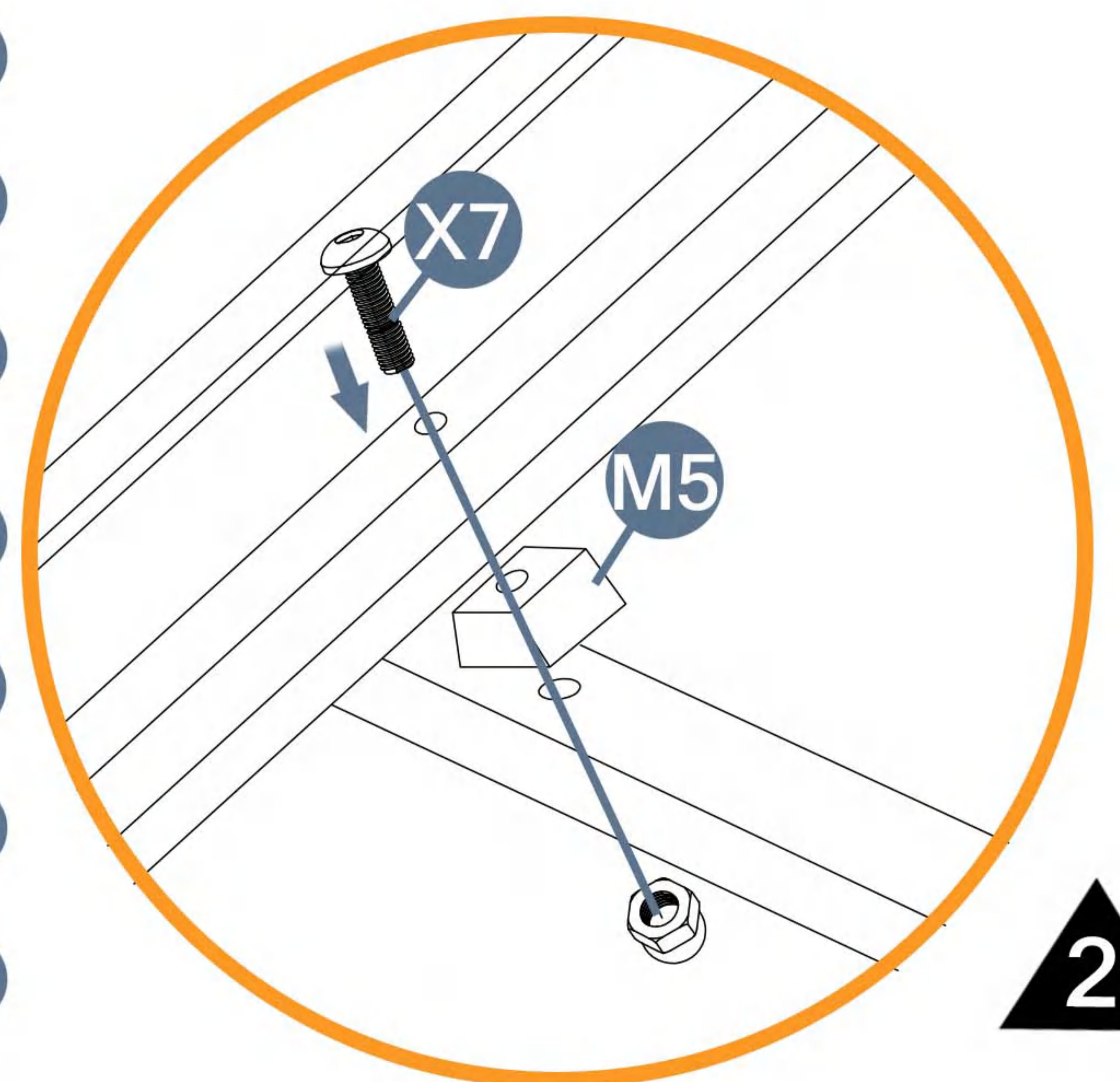
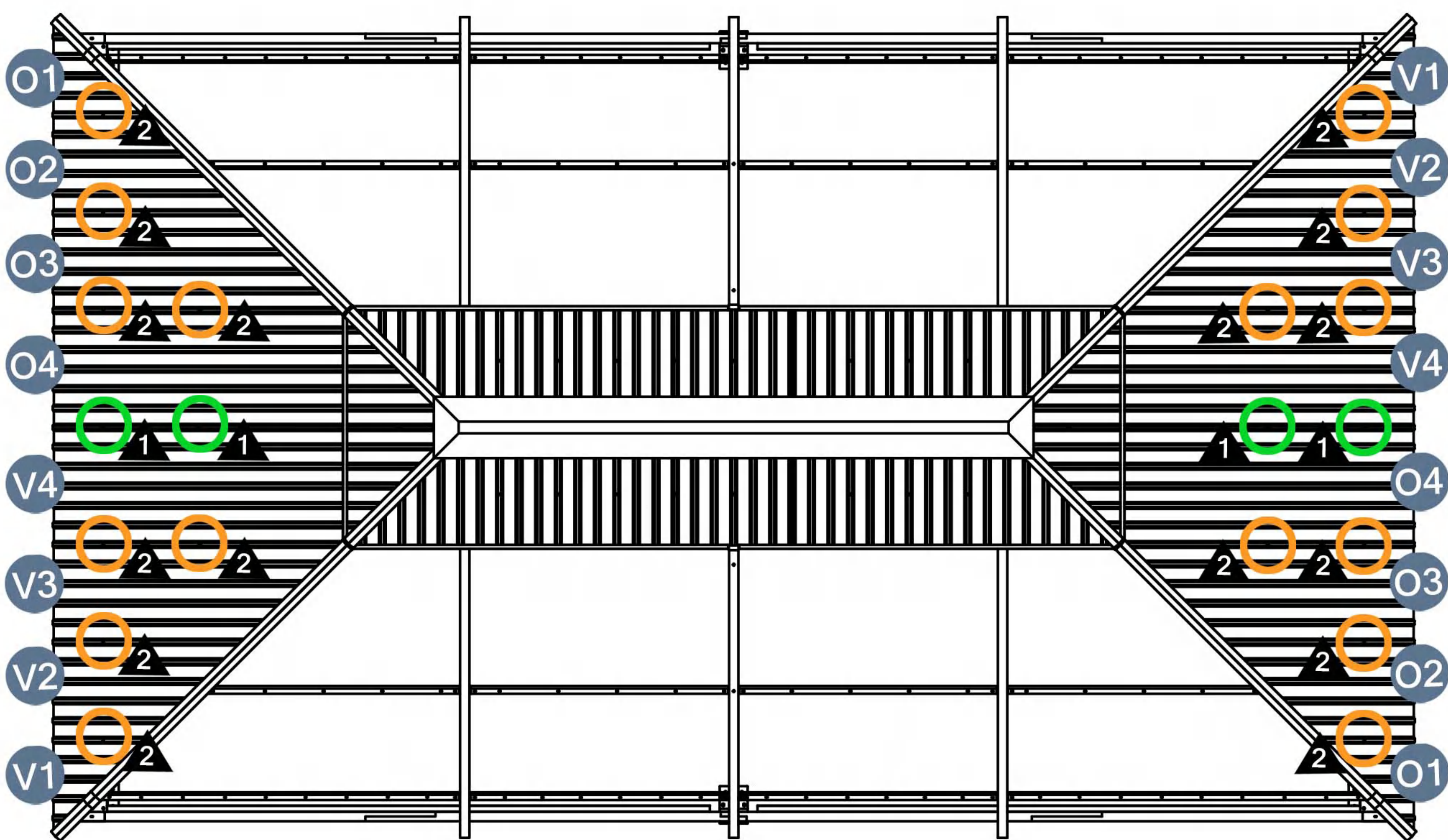
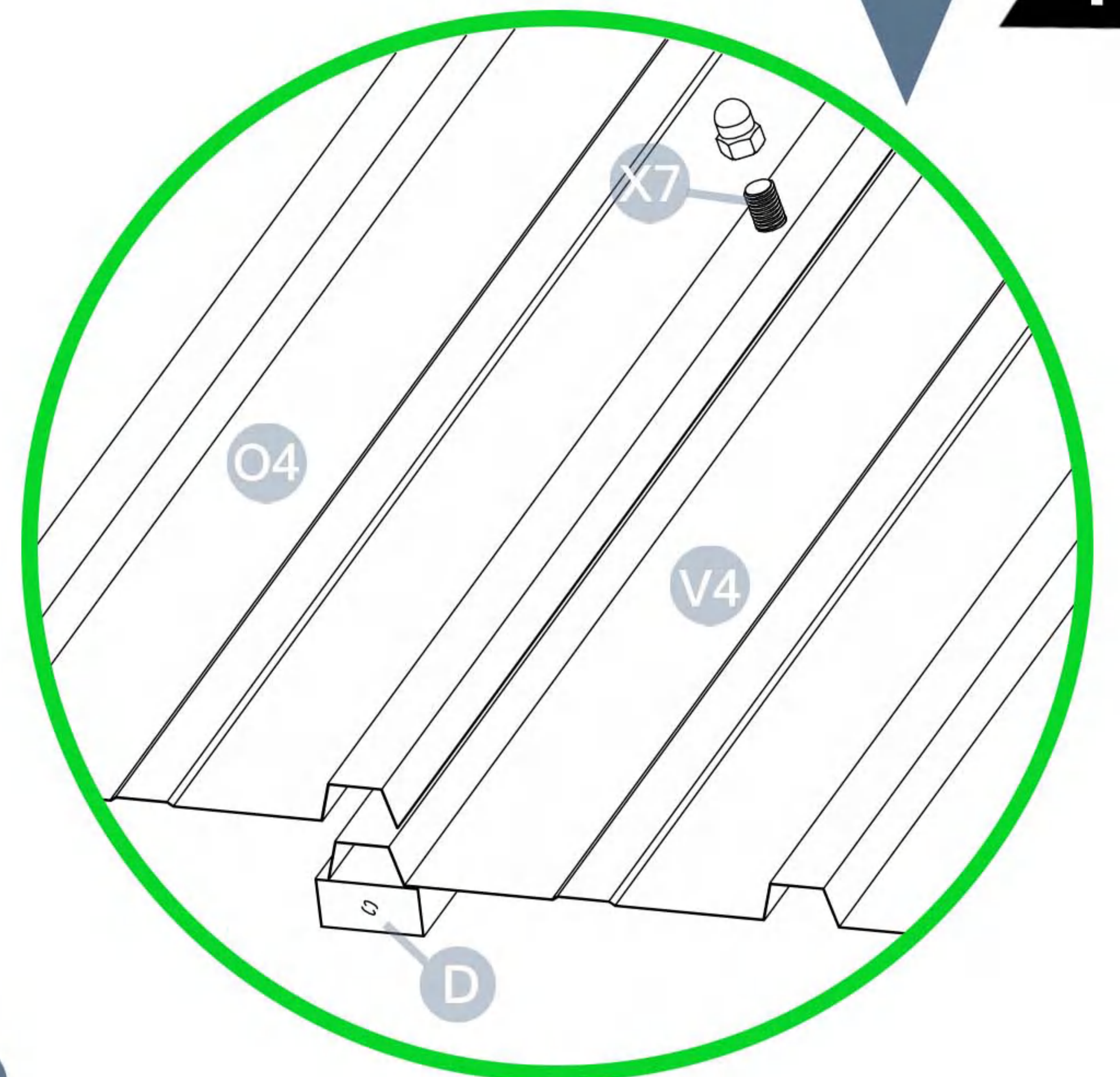
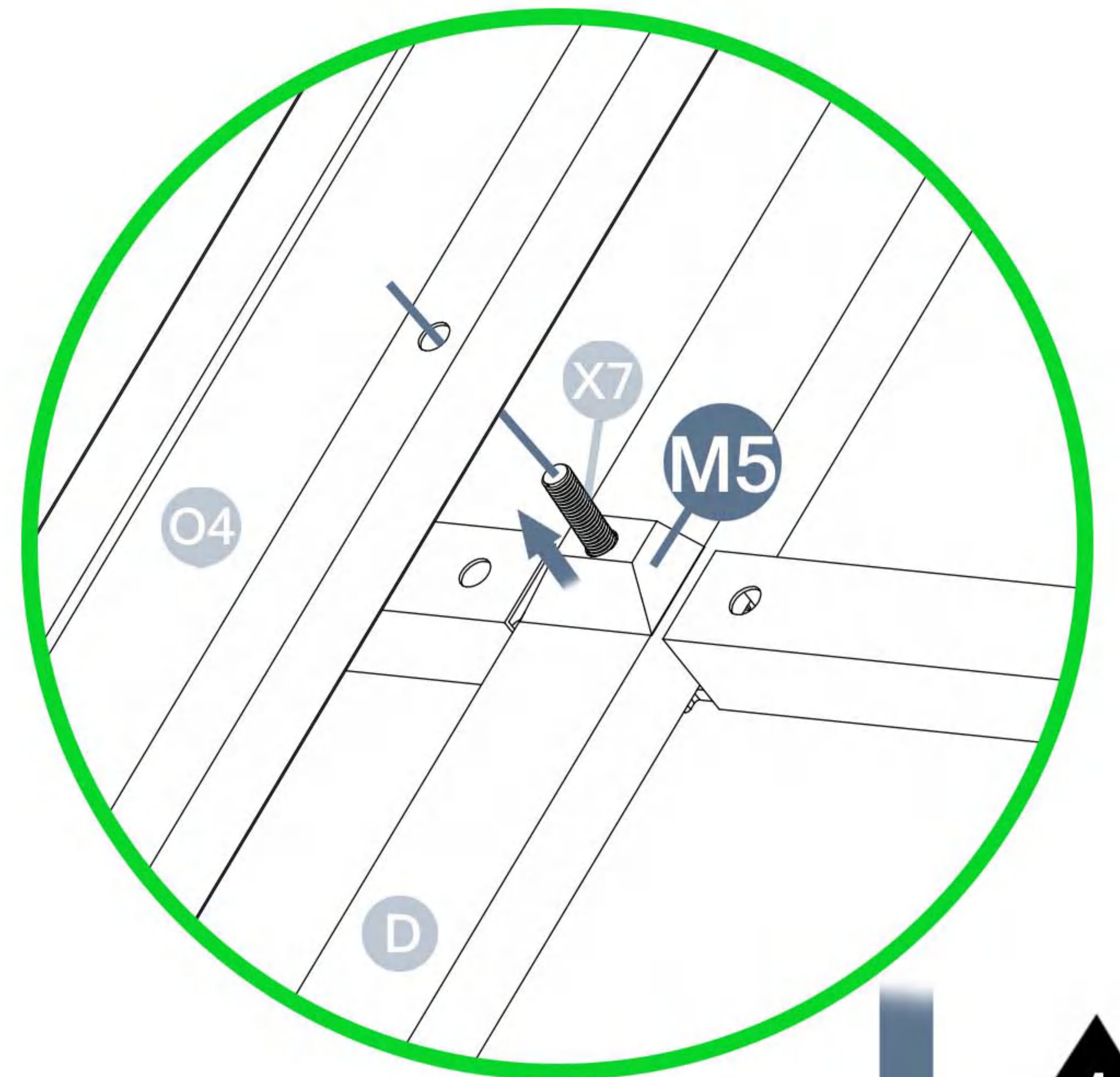
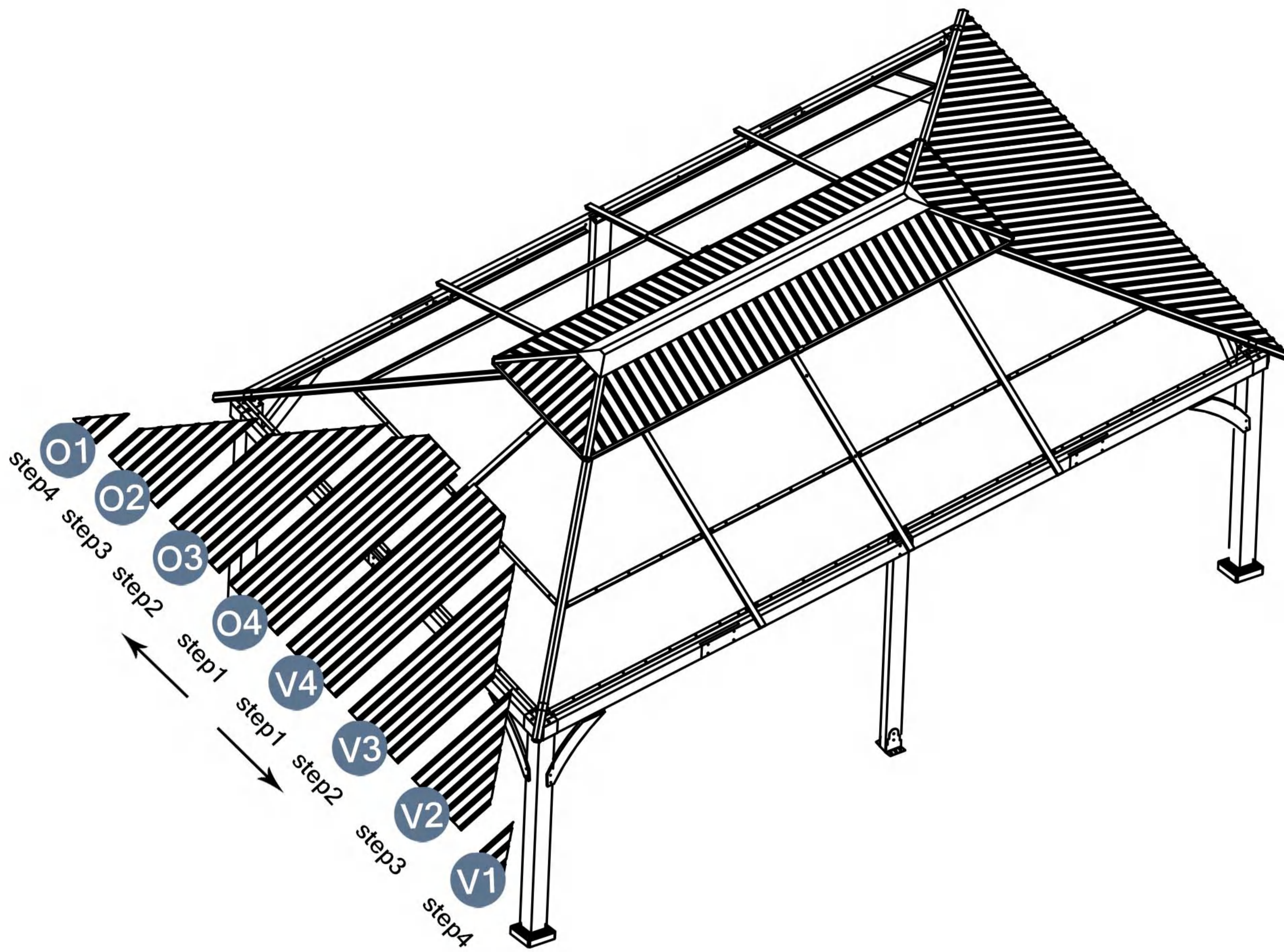
X7 16pcs



M5 20pcs



Pay attention to the direction of screw installation



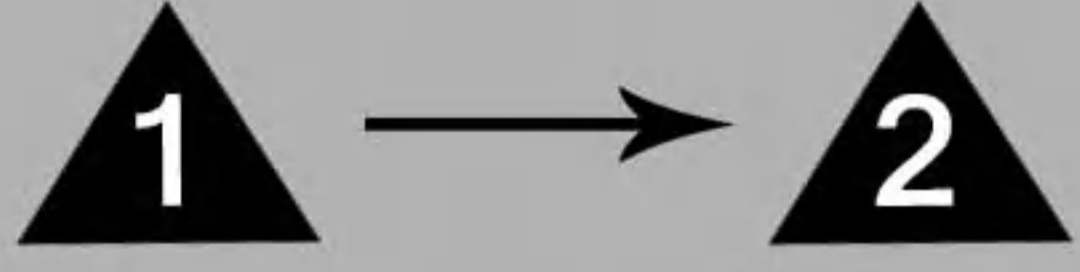
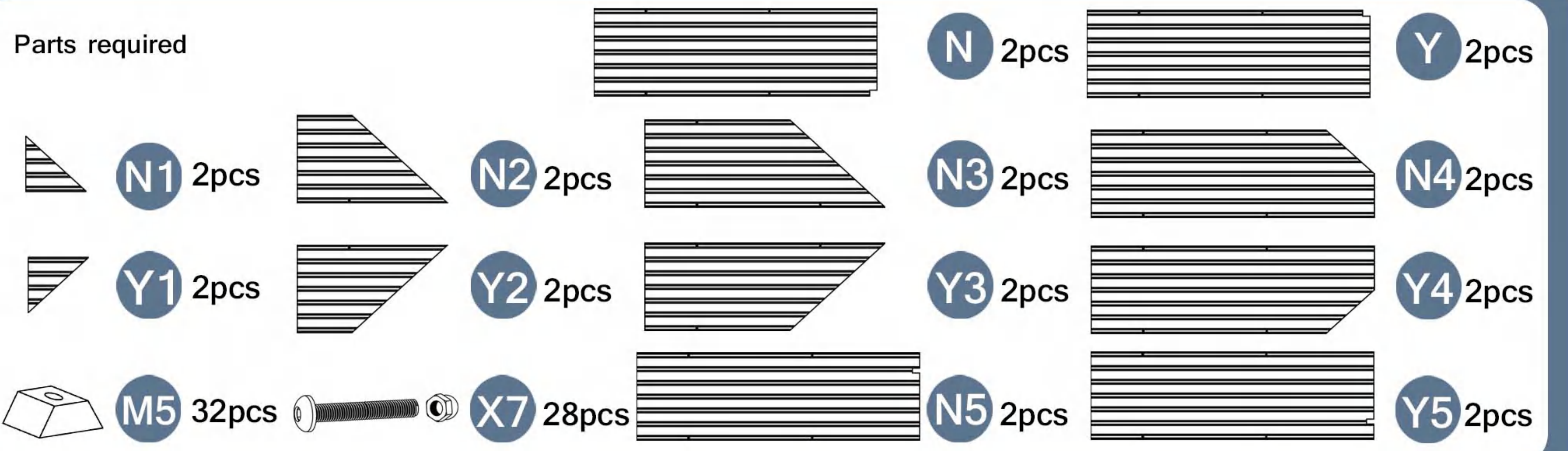
Please take care of the screws and contact the after-sales service if there is any problem with the installation or parts.



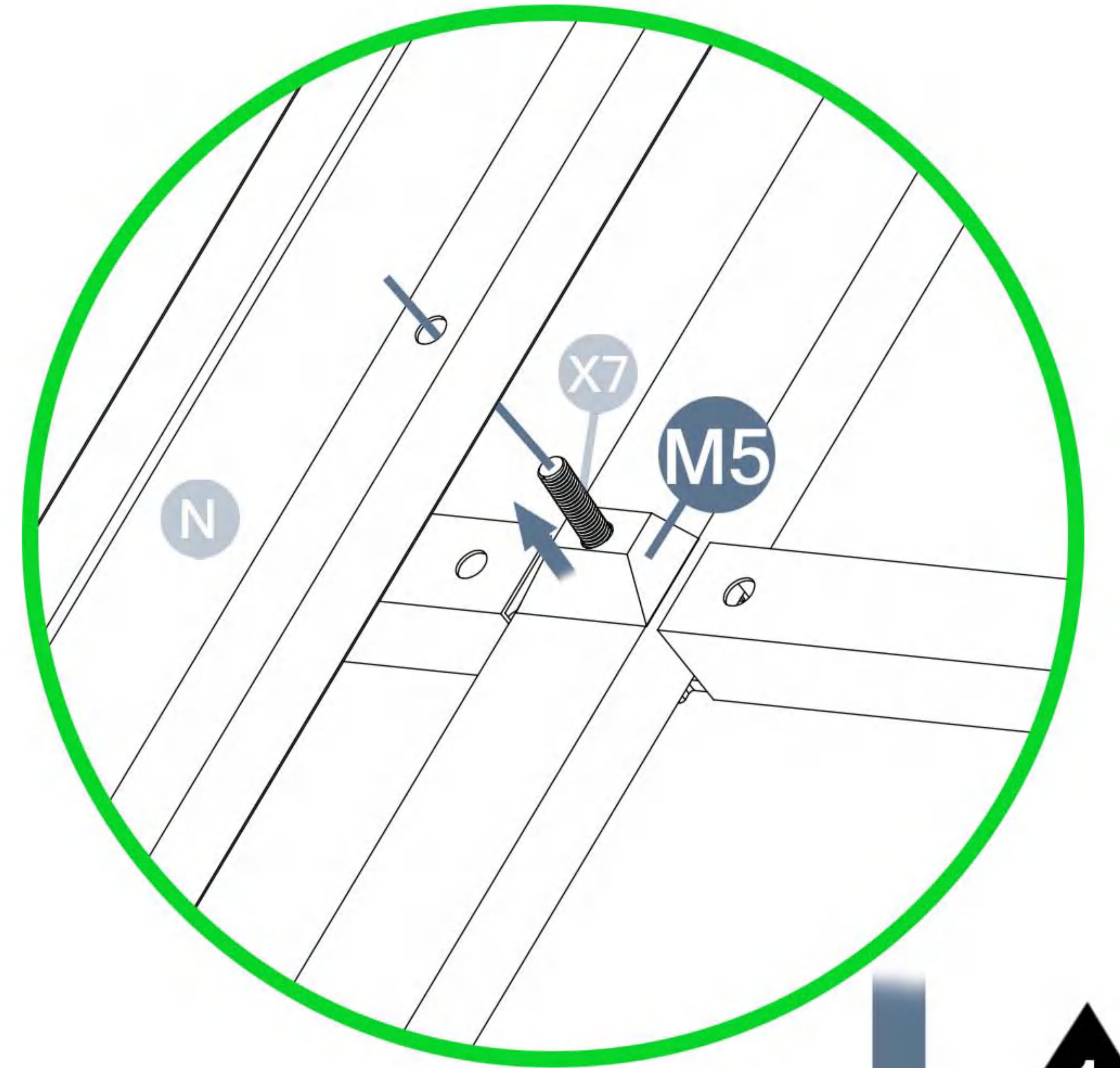
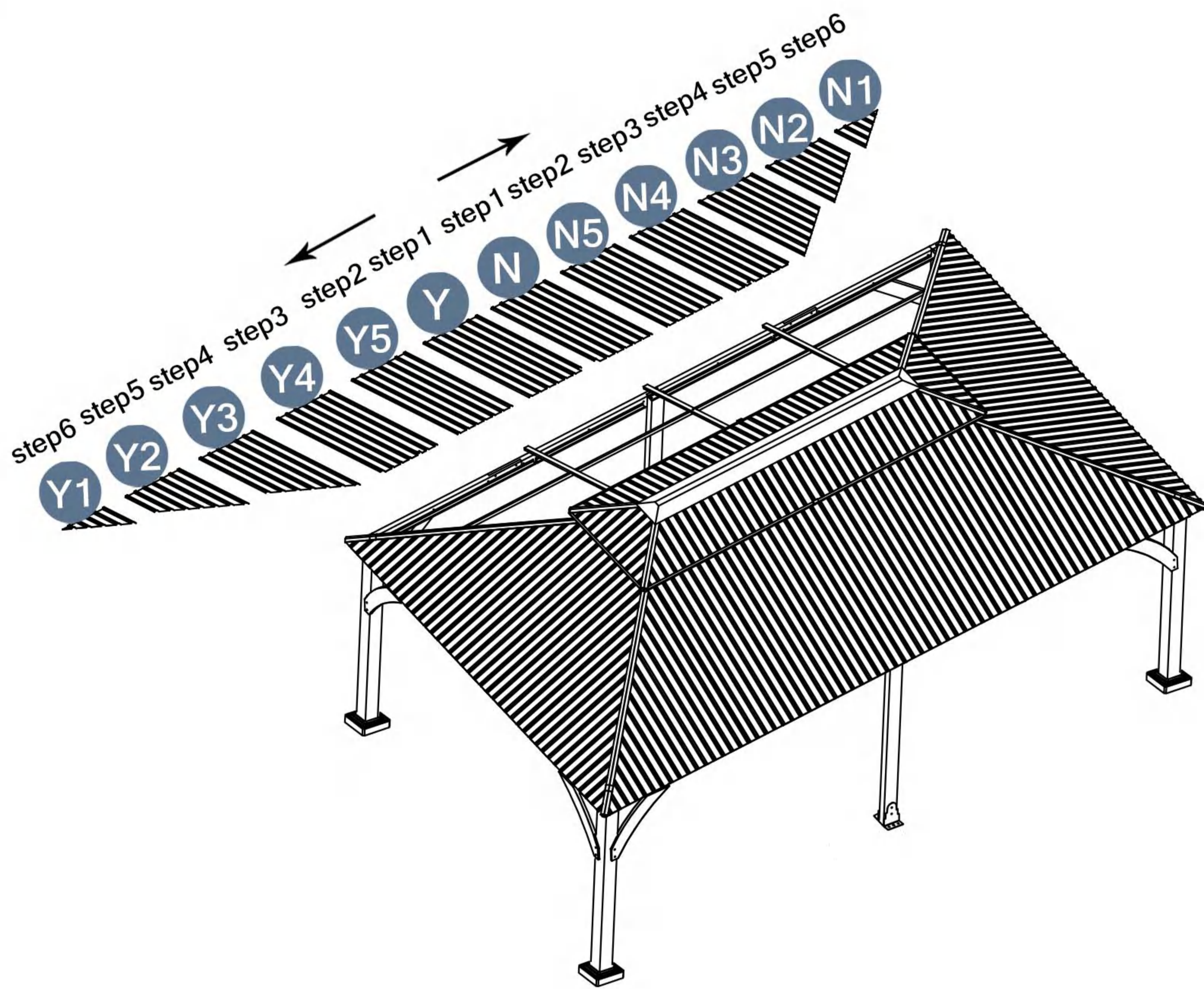
E-mail: cs.helper01@gmail.com

STEP 16

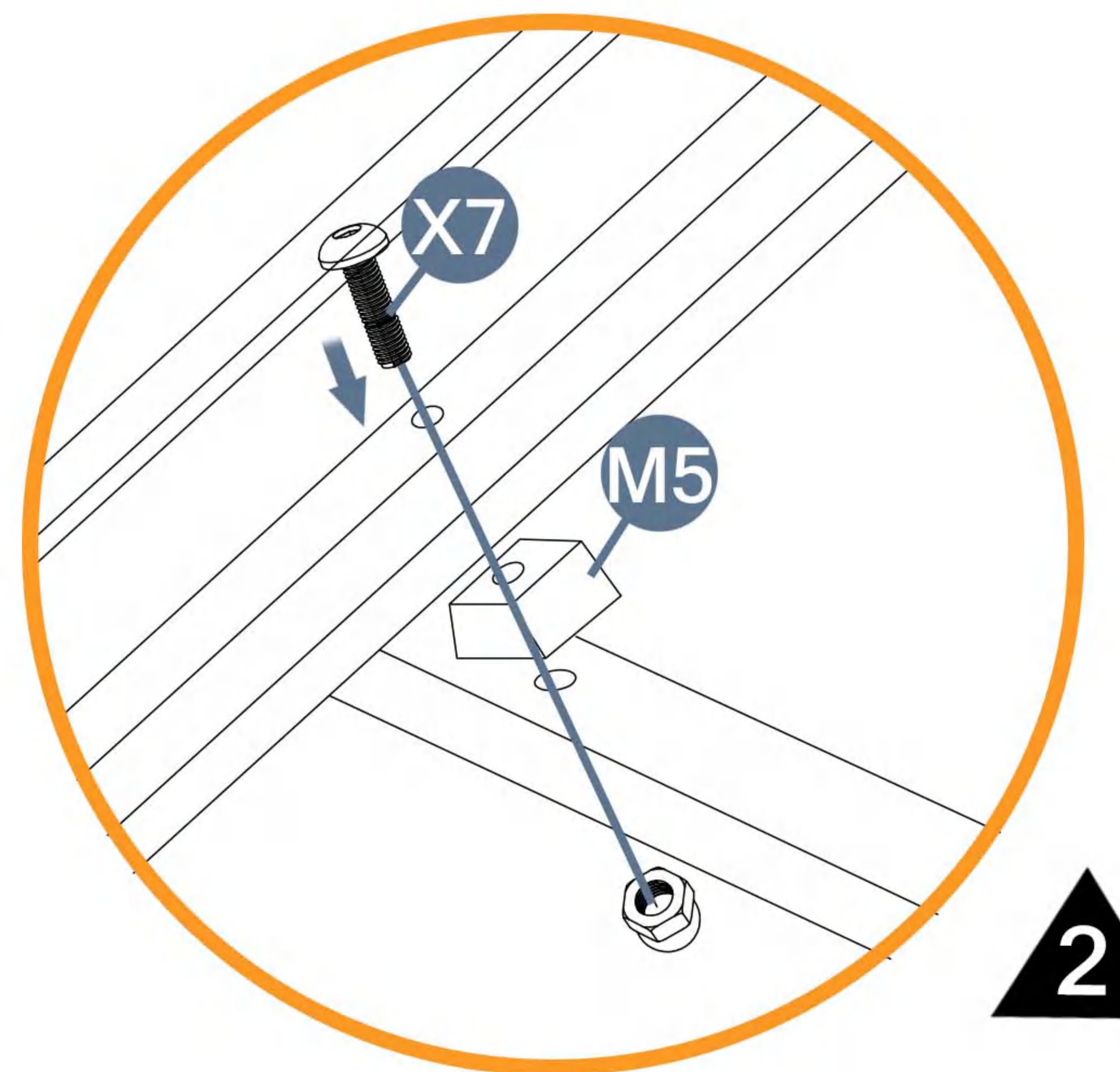
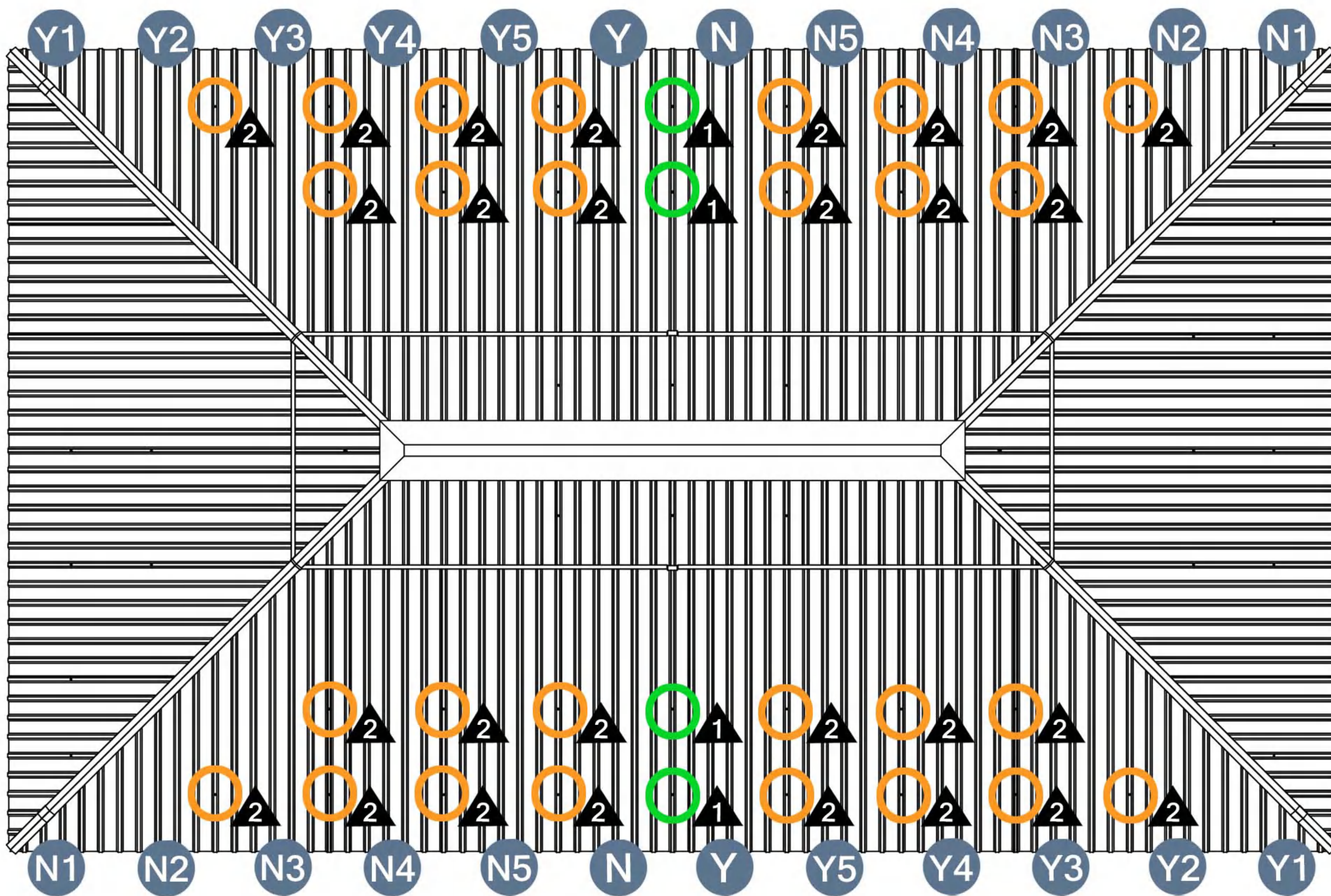
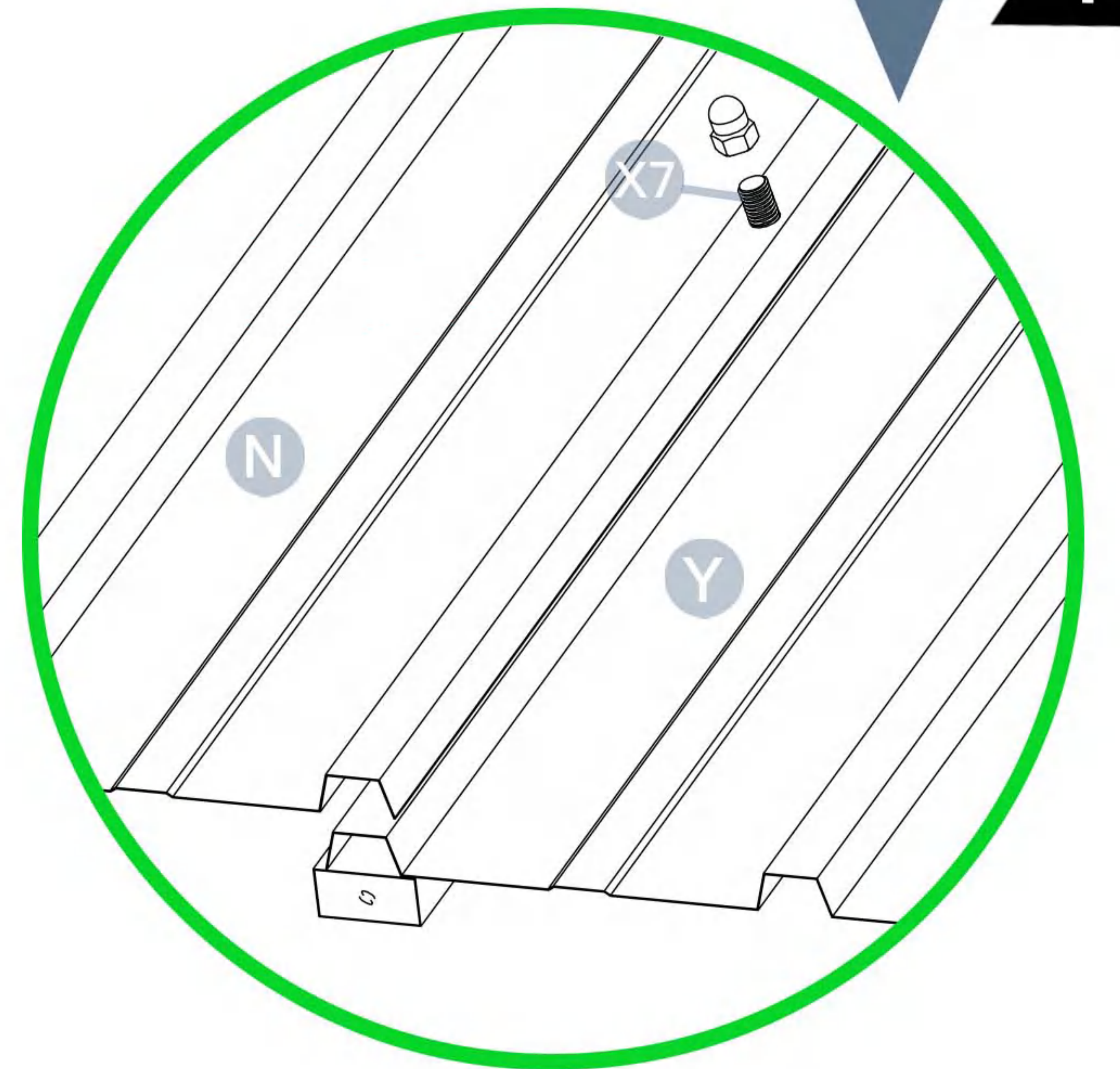
Parts required



Pay attention to the direction of screw installation



1



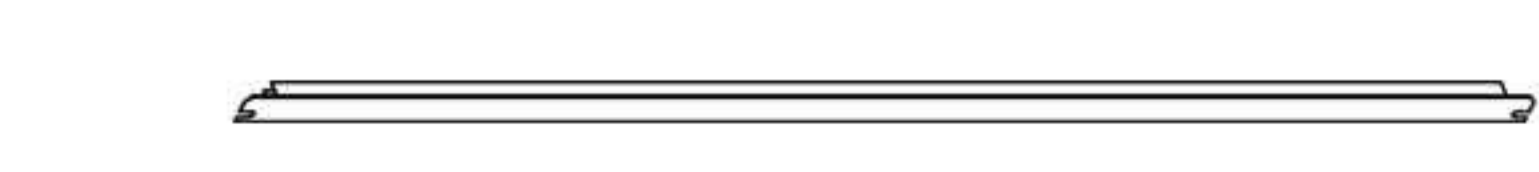
2

Please take care of the screws and contact the after-sales service if there is any problem with the installation or parts.

➔ E-mail: cs.helper01@gmail.com

STEP 17

Parts required



G 4pcs



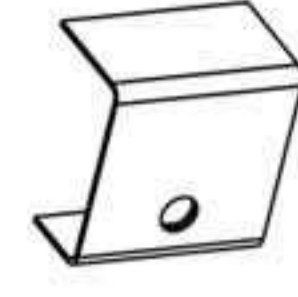
G2 4pcs



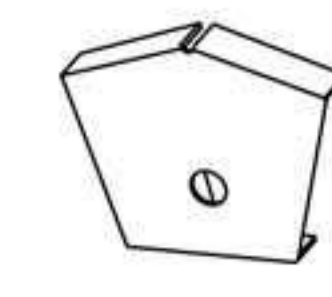
G1 4pcs



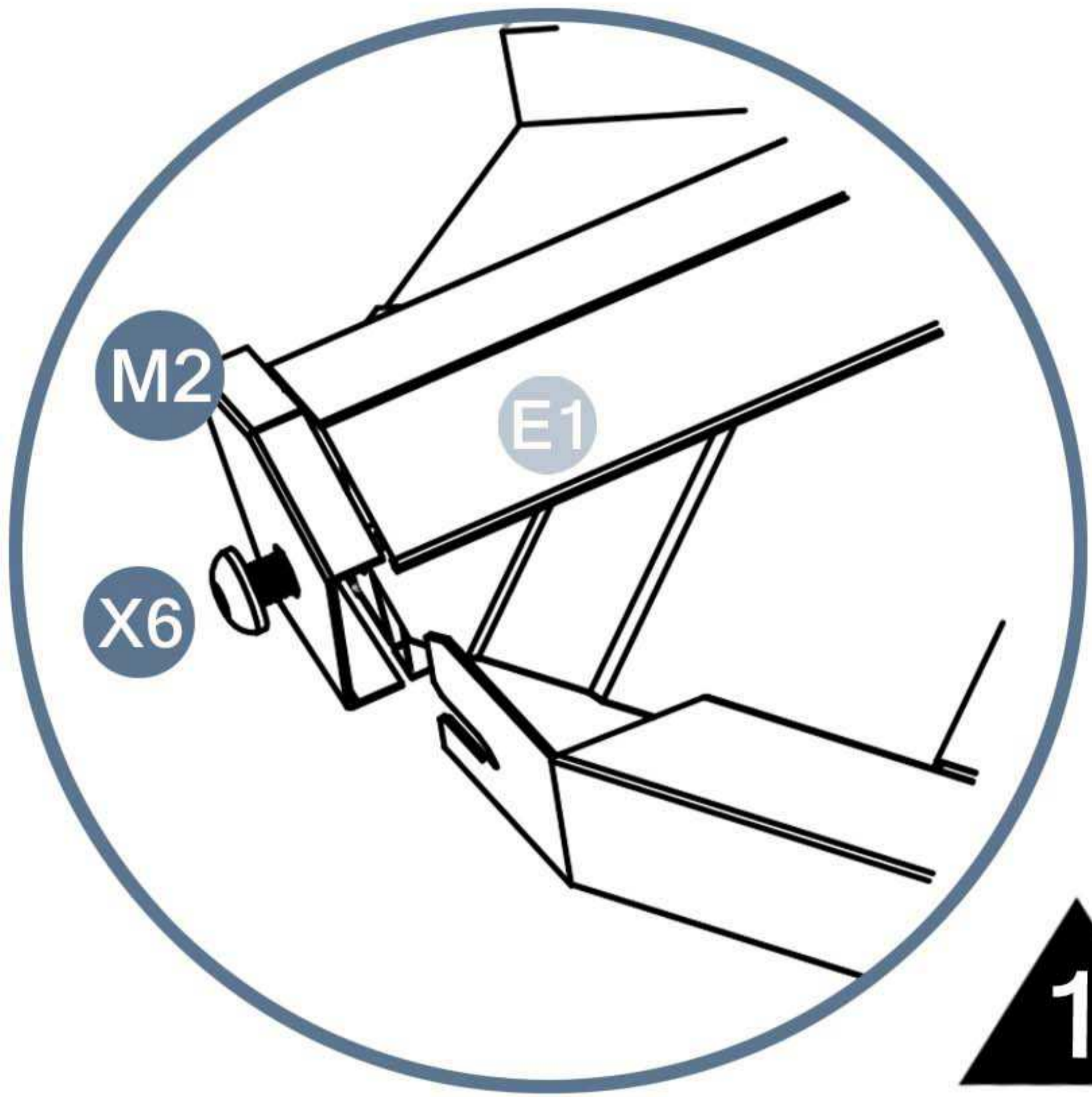
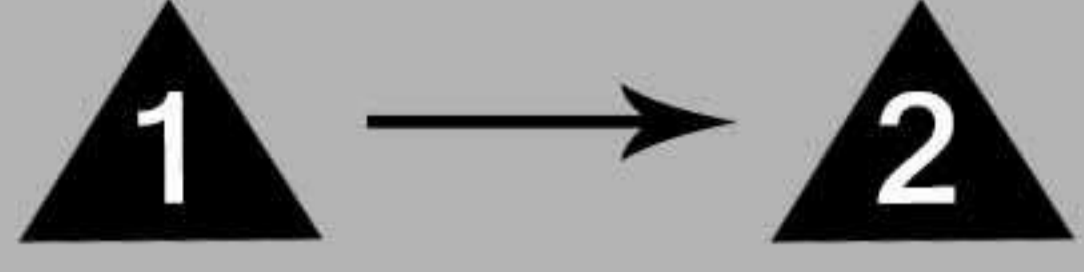
X6 12pcs



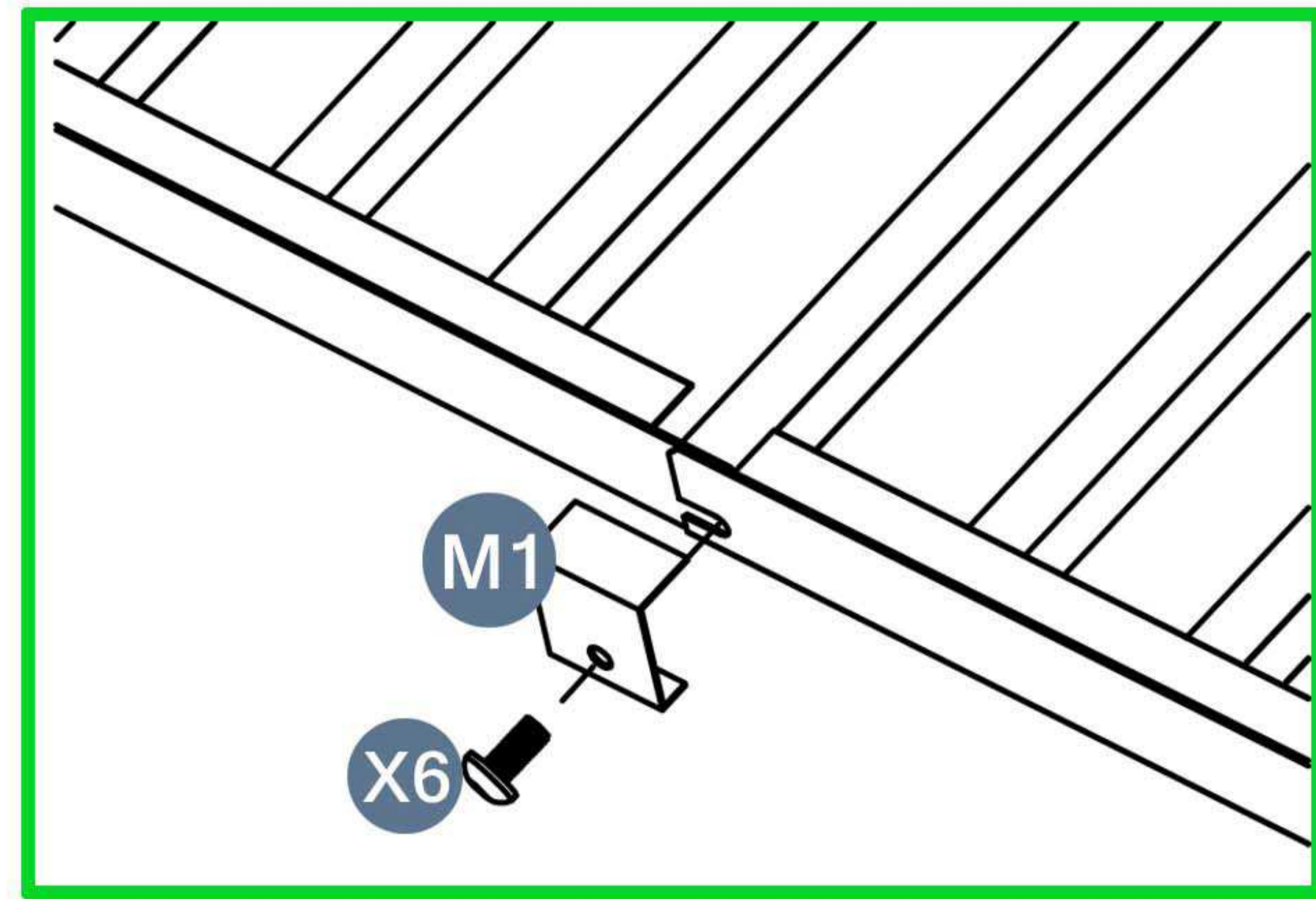
M1 8pcs



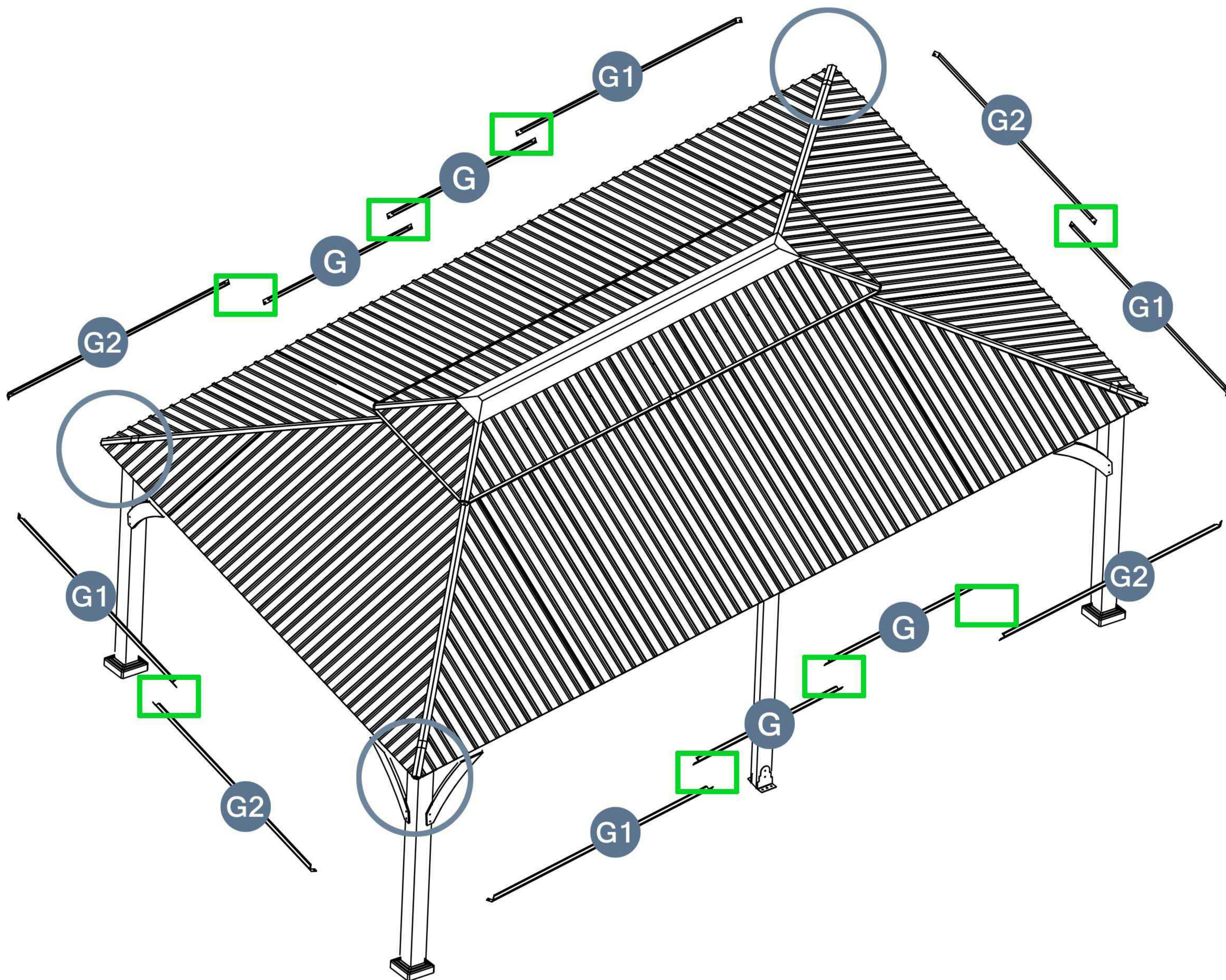
M2 4pcs



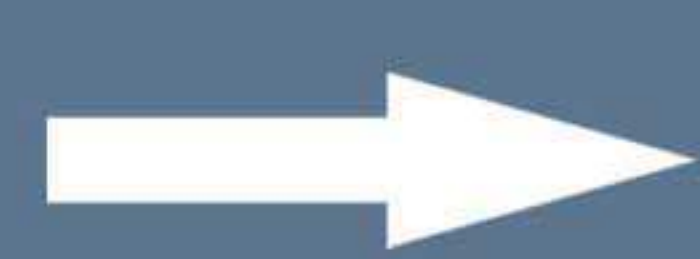
1



2



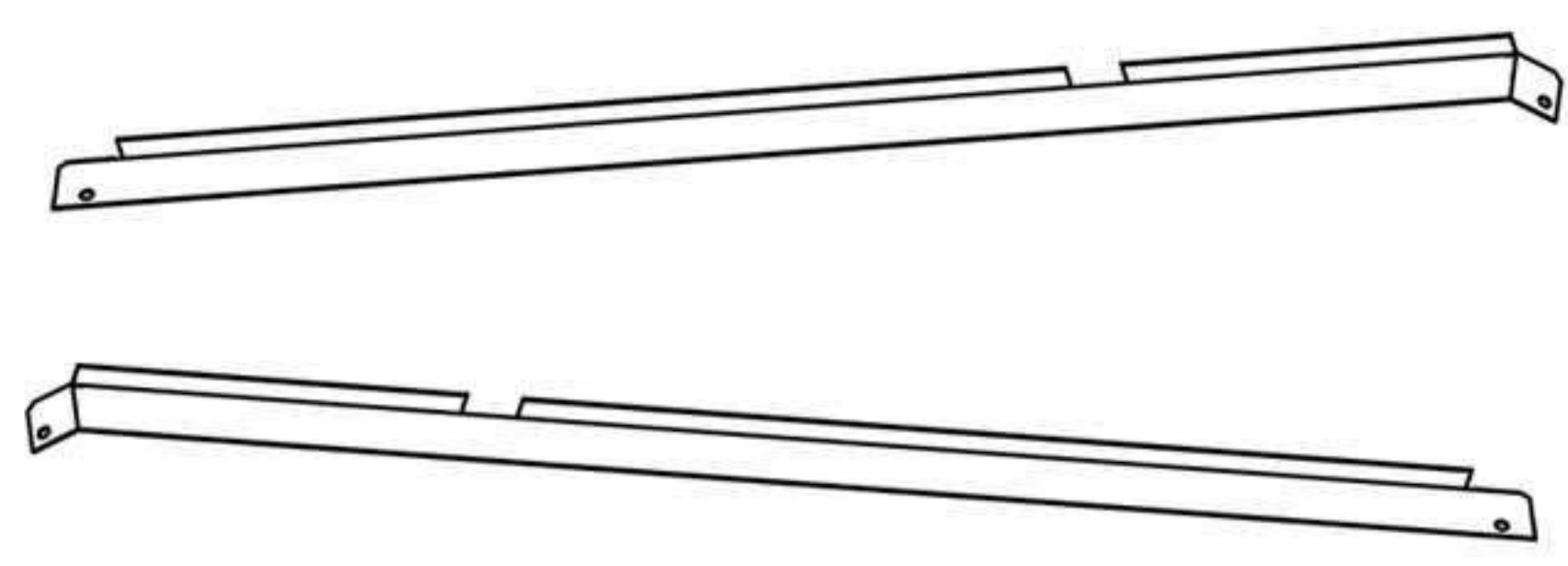
Please take care of the screws and contact the after-sales service if there is any problem with the installation or parts.



E-mail: cs.helper01@gmail.com

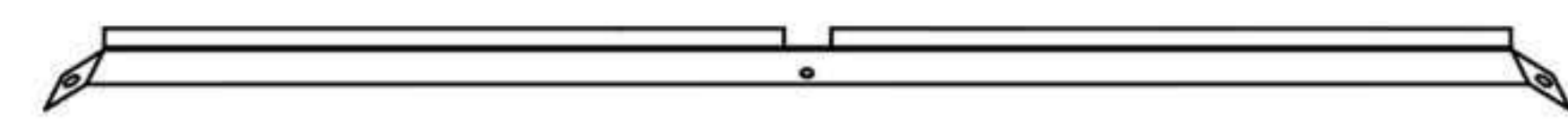
STEP 18

Parts required



G8 2pcs

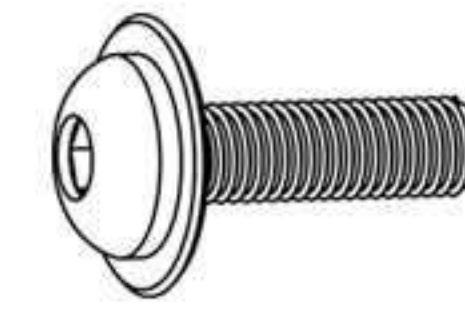
G9 2pcs



G10 2pcs



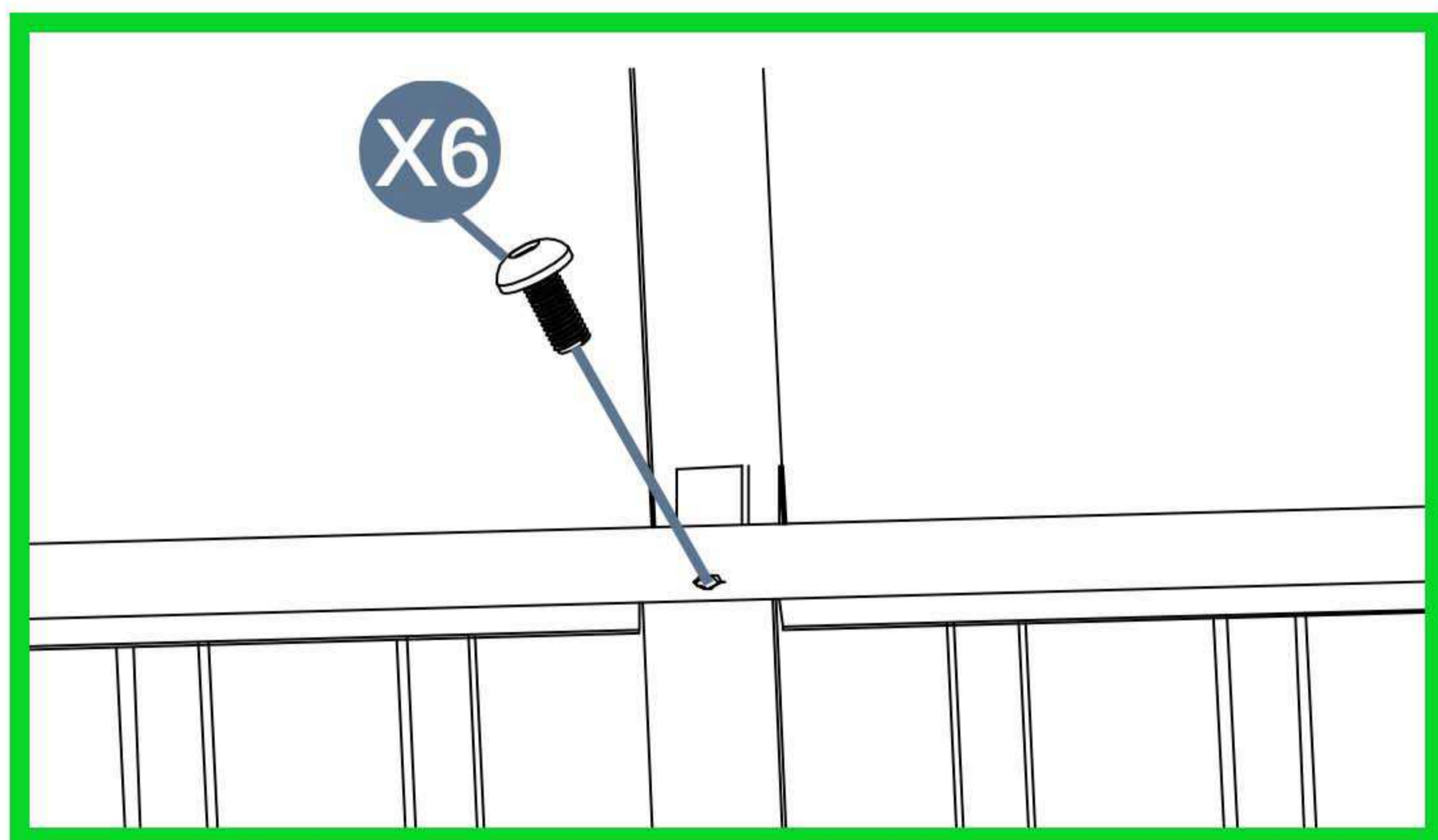
X6 8pcs



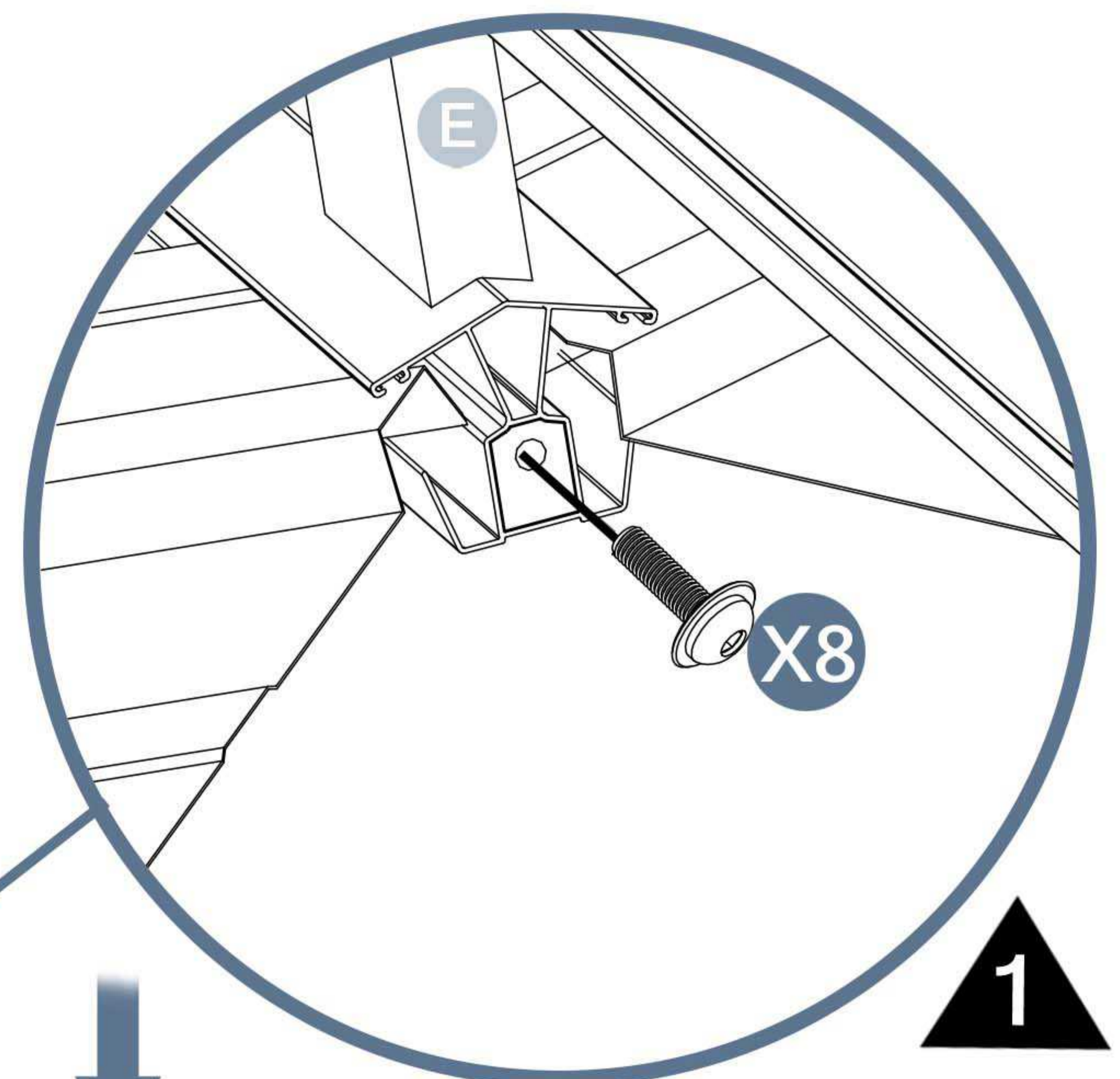
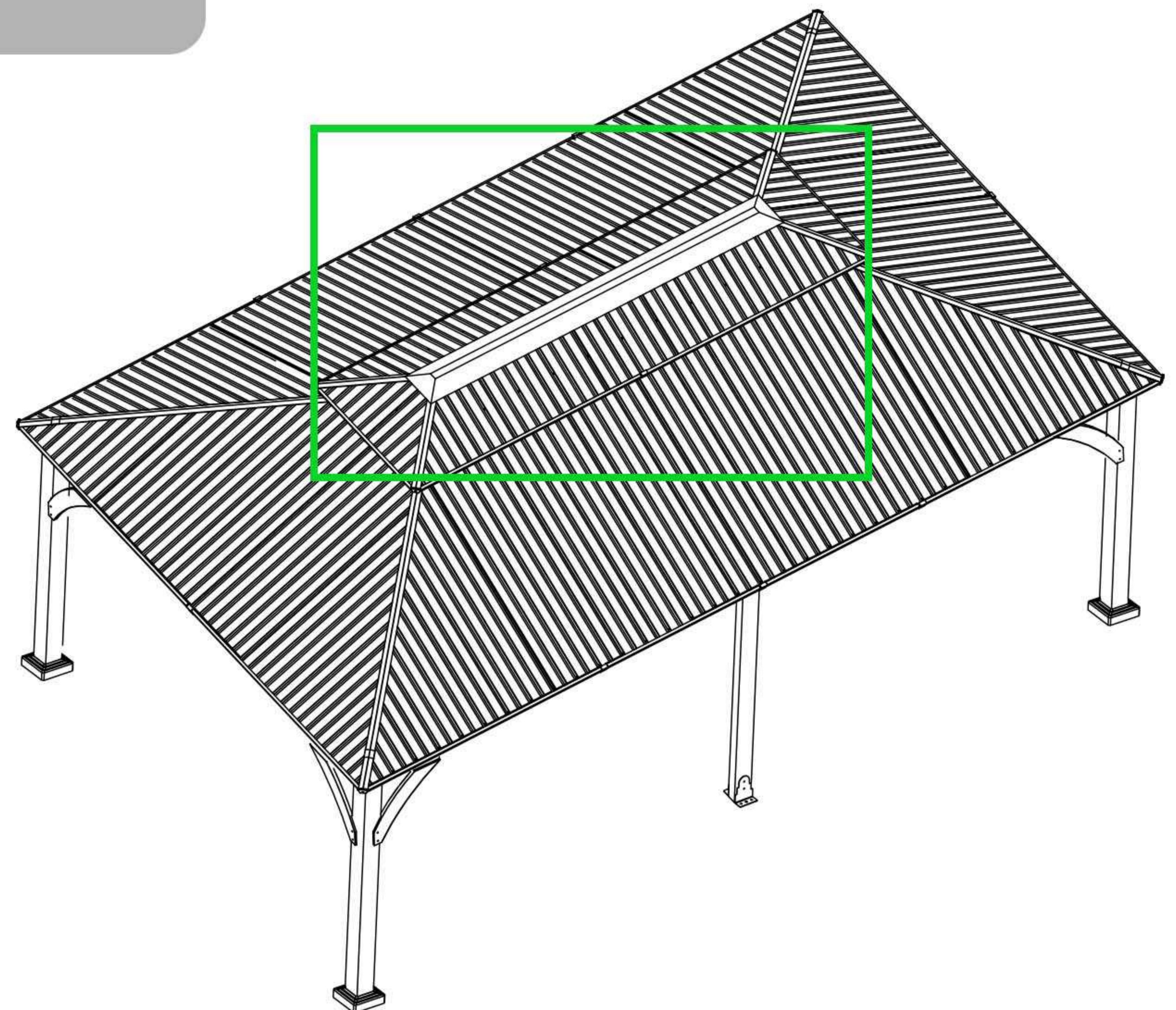
X8 4pcs



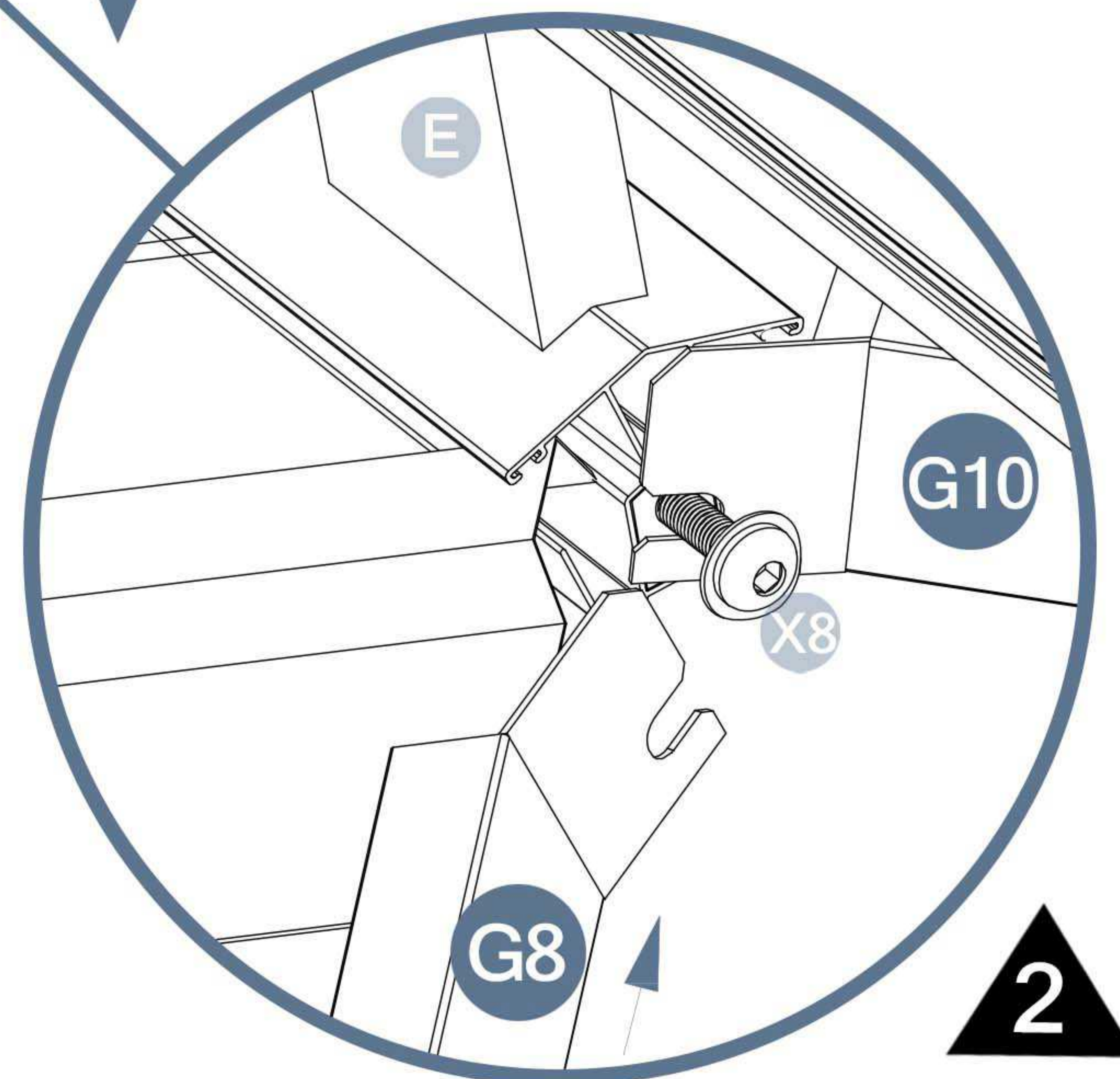
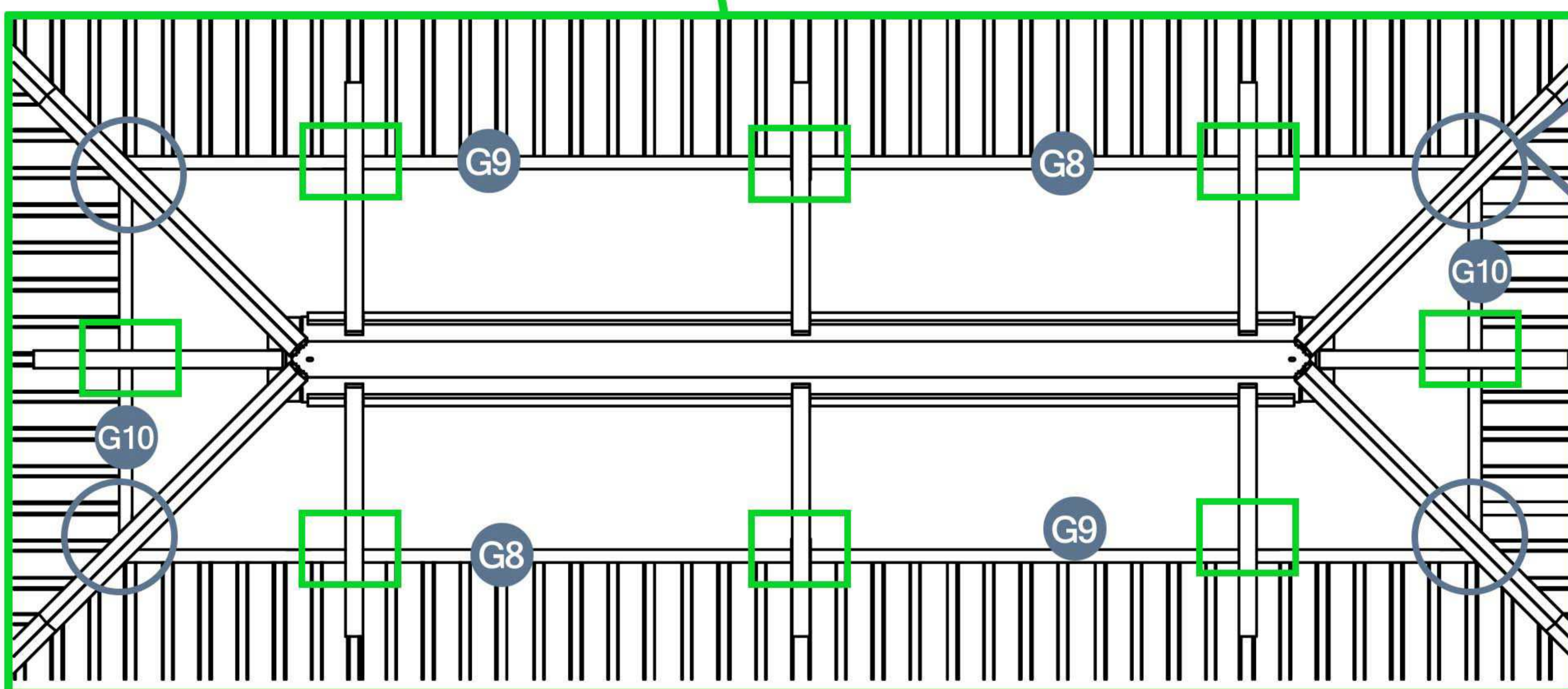
It can be installed from the inside.



3



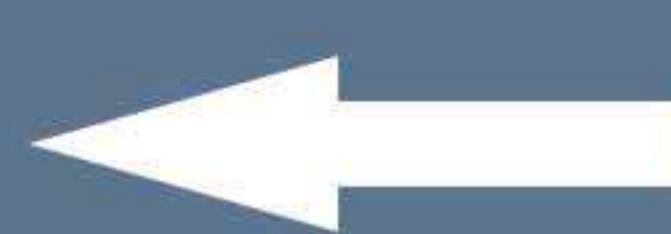
1



2

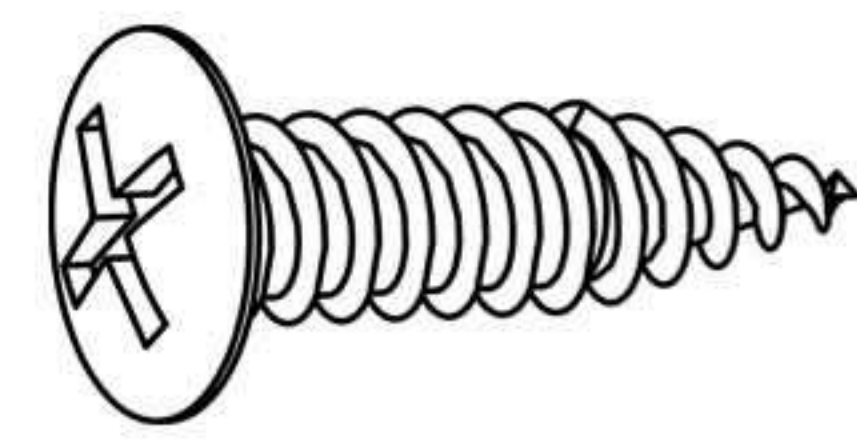
Please take care of the screws and contact the after-sales service if there is any problem with the installation or parts.

E-mail: cs.help@101.com

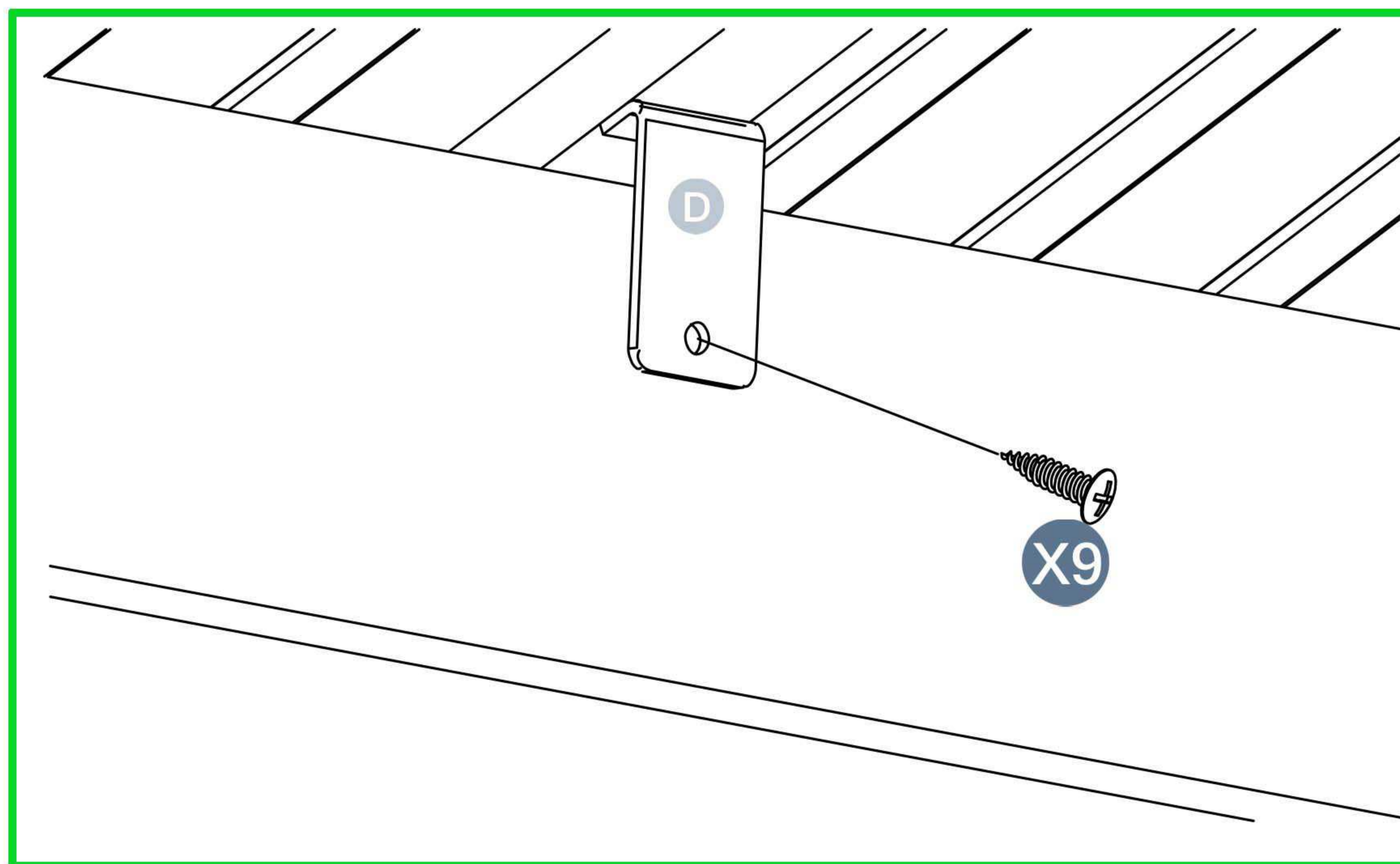
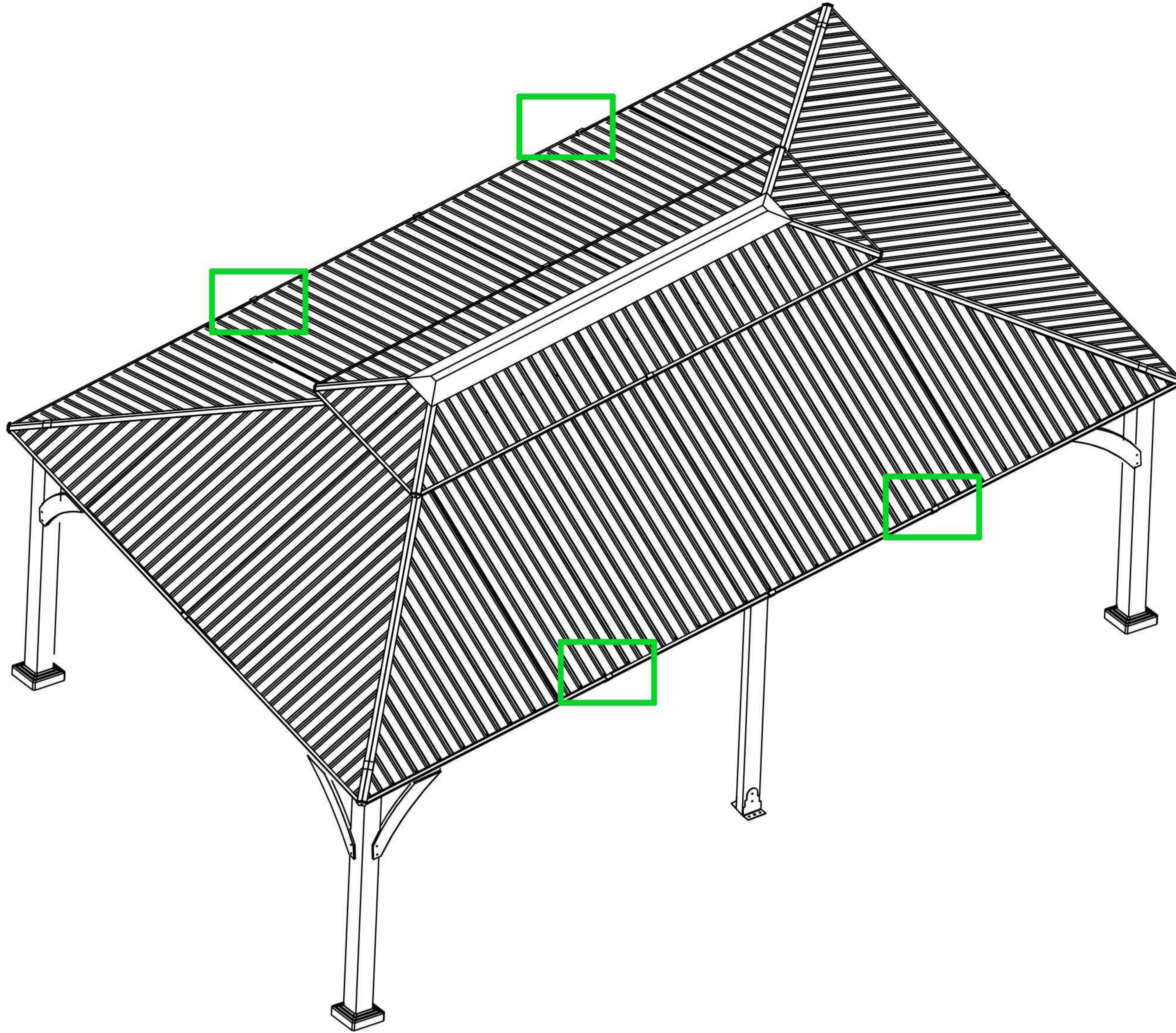


STEP 19

Parts required



X9 4pcs

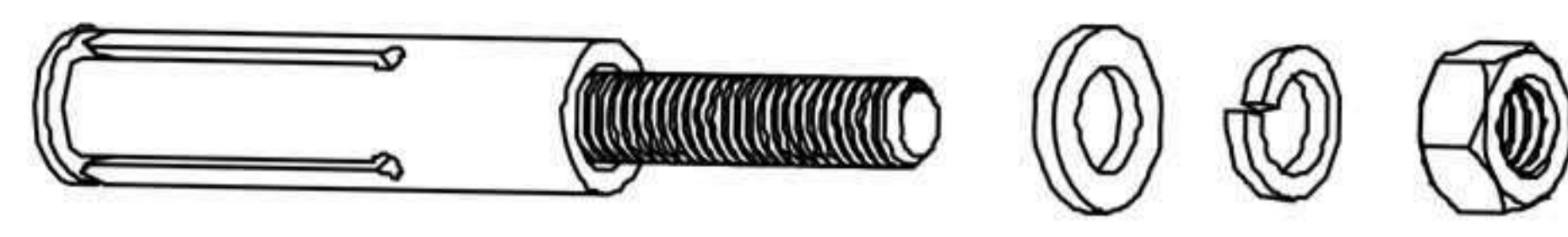


Please take care of the screws and contact the after-sales service if there is any problem with the installation or parts.



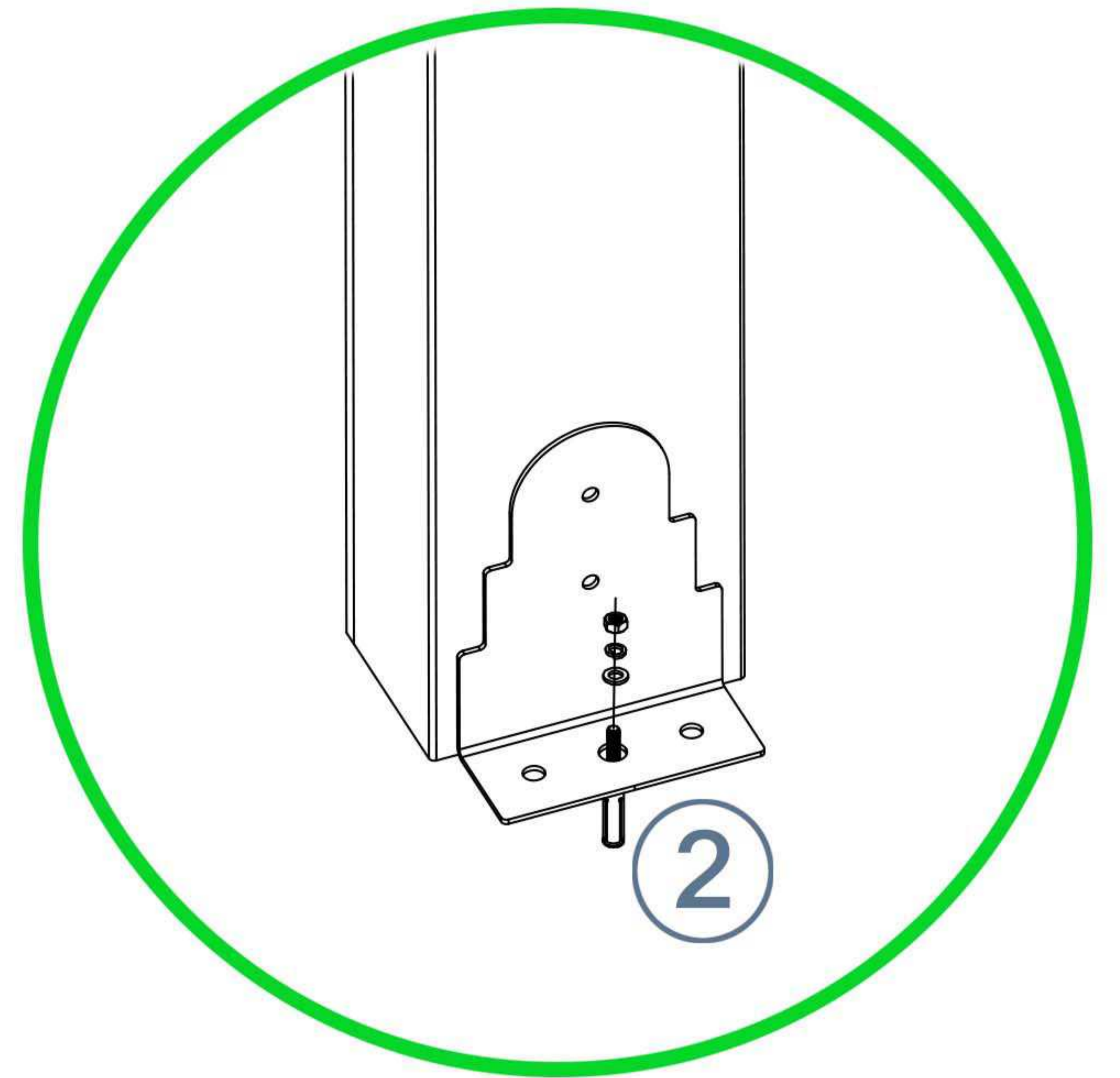
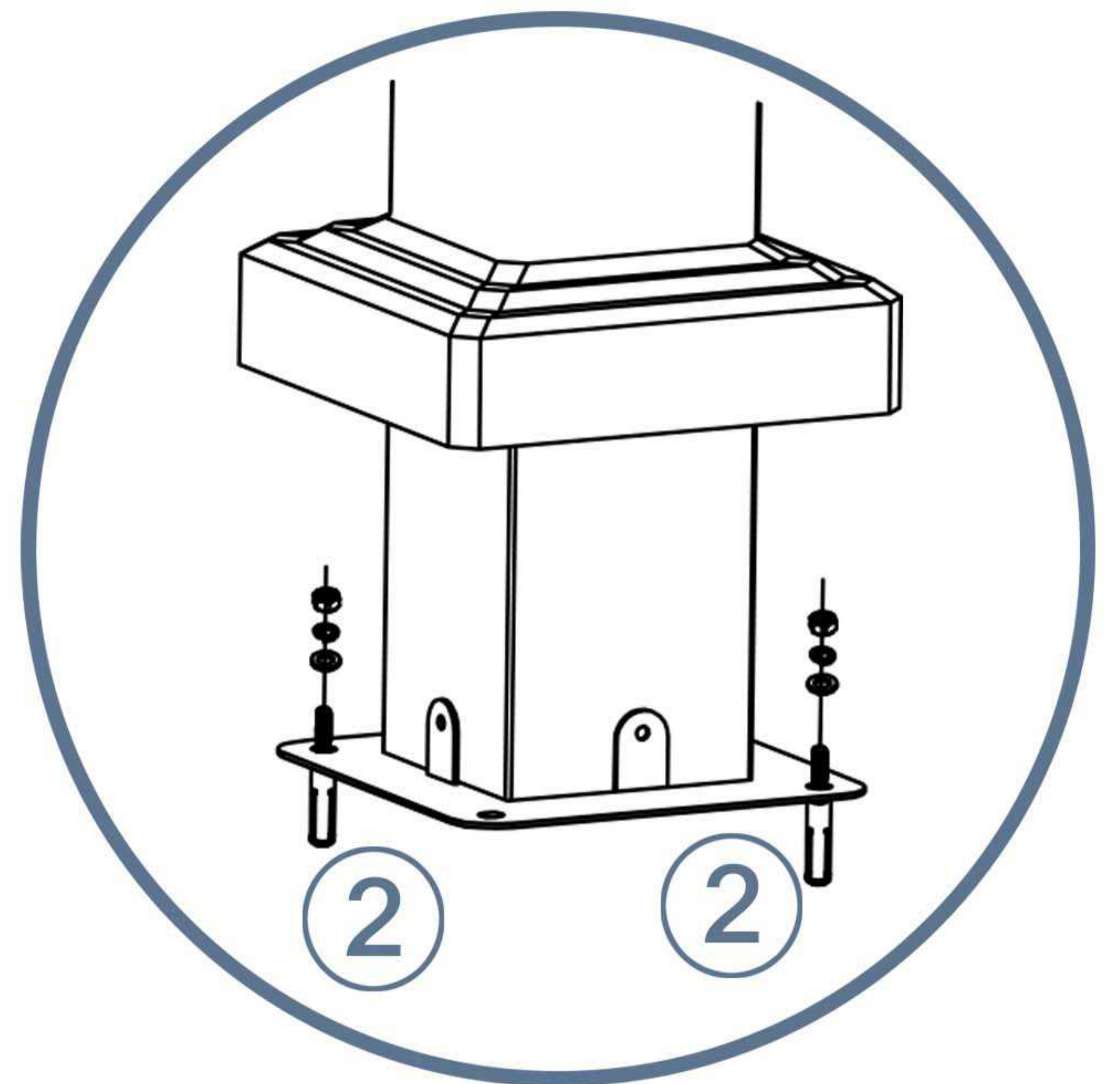
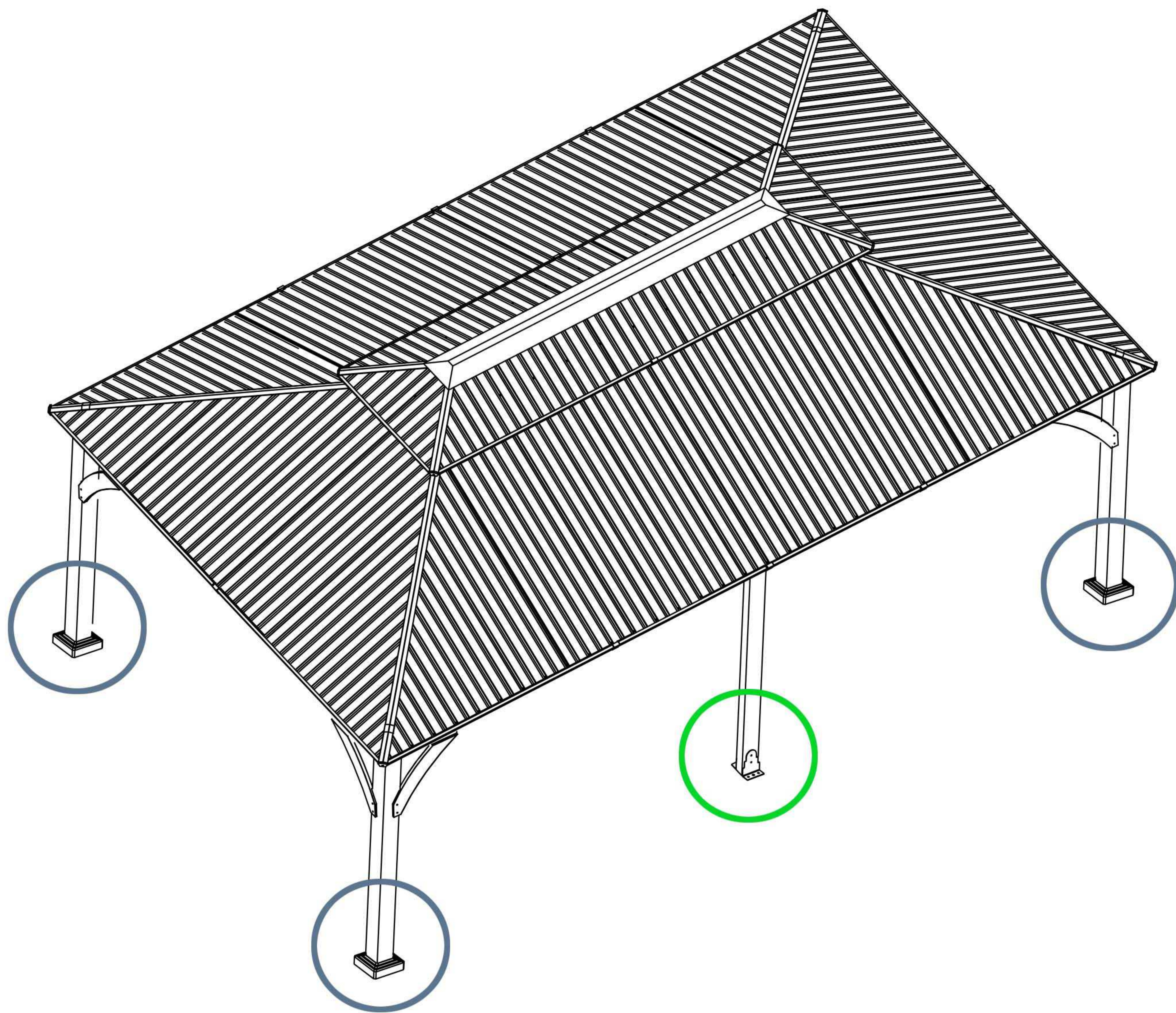
STEP 20

Parts required



② 10pcs

To improve stability of gazebo, expansion screws very necessary. Expansion screws use for cement surfaces and have included in the package.



!!! For safety's stake, please check and make sure that all screws are tightened after all installation is complete.

Installation Completed

Please take care of the screws and contact the after-sales service if there is any problem with the installation or parts.

➔ ✉ E-mail: cs.helper01@gmail.com

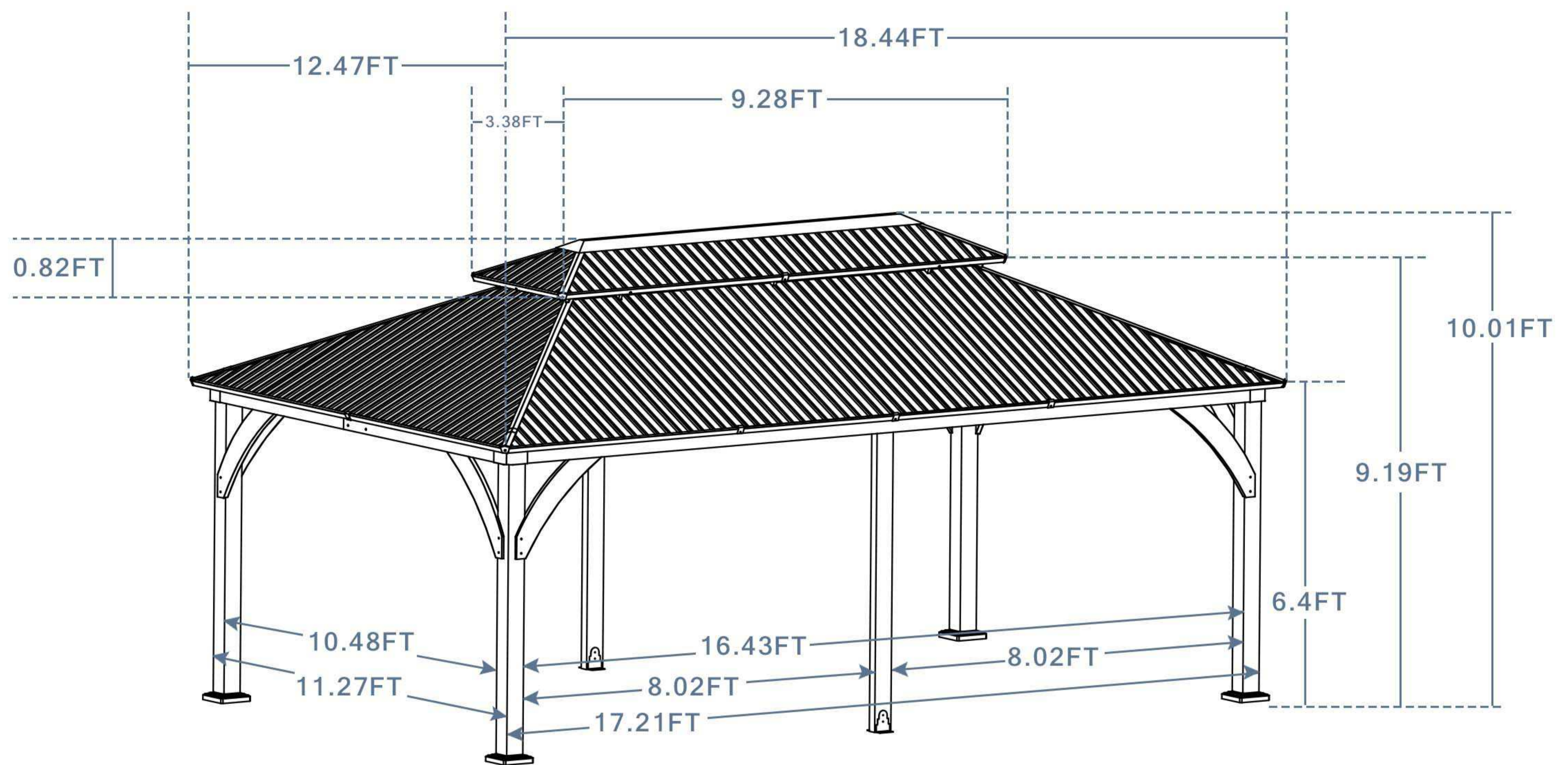
Hope you enjoy this product.

If you have any concerns about gazebo Installation, please feel free to contact us. We will reply within 24 hours.



E-mail: cs.helper01@gmail.com

13X19FT



SKU:C001G049WF-1
C001G049WF-2
C001G049WF-3
C001G049WF-4
C001G049WF-5
C001G049WF-6