

Assembly Instructions

CAUTION: You must read this before you proceed



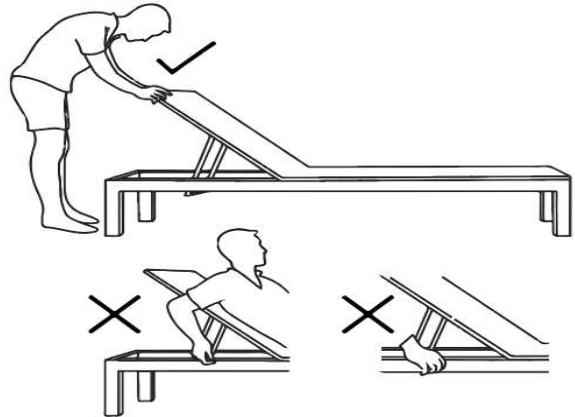
SAFETY WARNING

Never adjust chaise lounge or recliner backrest while seated.

Always make sure the backrest is flat before moving the chaise lounge.

Keep all limbs clear from under the backrest when it is in a raised position.

Serious finger, hand, or other bodily injuries may result from adjusting the chaise lounge backrest position while seated.



The examples pictured above are non exhaustive and are for your reference only.

Care & Maintenance



- Not for commercial use. For residential use only. Usage non commercial.



- Do not put hot items directly on furniture surface.



- Do not clean furniture with harsh cleansers or polish.



- To obtain the longest lifespan of your outdoor products, minimizing exposure to direct sunlight is recommended.



● Children should not climb or jump on the furniture.



● Do not write on furniture without a padded barrier to protect the surface.



● To obtain the longest lifespan of your outdoor products, avoid extended and lengthy exposure to rain, snow, and direct sunshine. Whenever possible cover the product and /or place under patio o awnings.



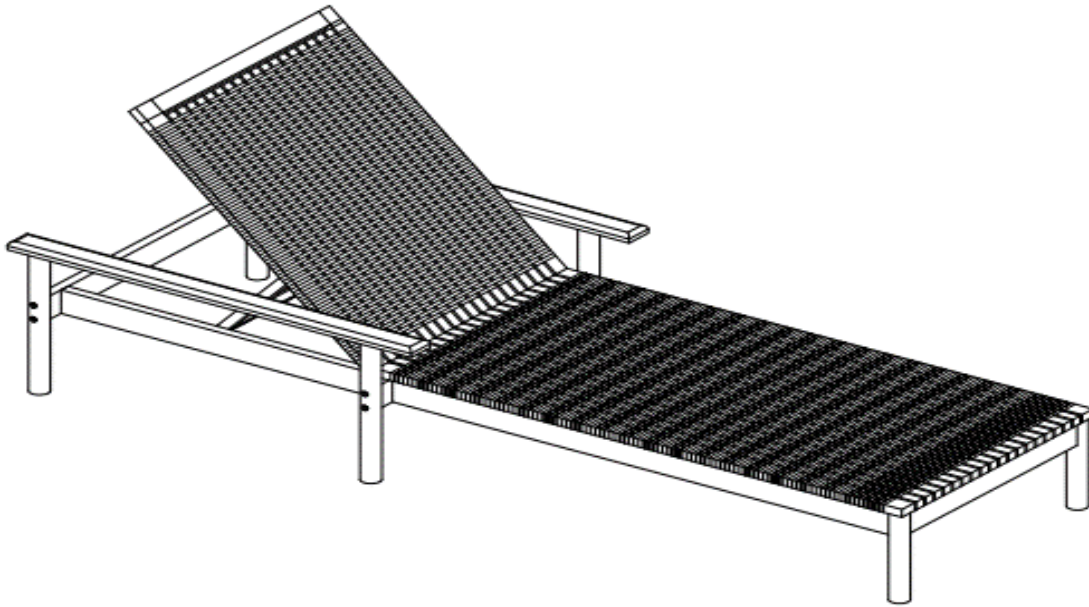
● Stains may be removed with mild soap solution and damp cloth.



● Dust and pick-up spills using a clean, non-colored, lint free cloth.

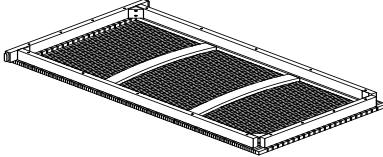
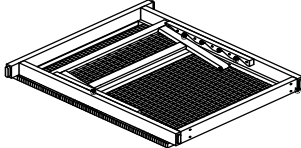

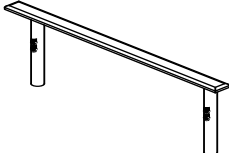
Please look underneath the Chaise Lounge top for hardware packs

CHAISE LOUNGE

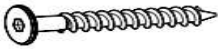






CAUTION: This Chaise Lounge is NOT a TOY
 Keep your child/ children at bay during the assembly process.
 Whenever moving/lifting the Chaise Lounge and to prevent damage to the Chaise Lounge,
 two adults are needed to execute these actions.

Part List

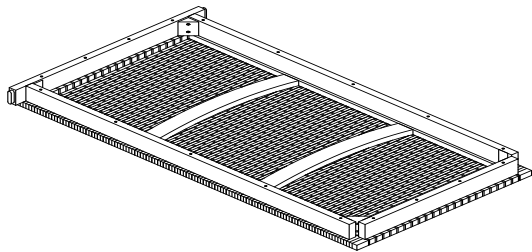
Label	Picture	Description	QTY
A		Seat Frame	1
B		Backrest Frame	1
C		Front Leg	2
D		Armrest Panel	2

Hardware

Label	Picture	Description	QTY
①		Screw (M6x60mm)	9
②		Bolt (M6x35mm)	5
③		Bolt (M6x50mm)	5
④		Washer (6.5x16x2mm)	5
⑤		Allen Wrench	1

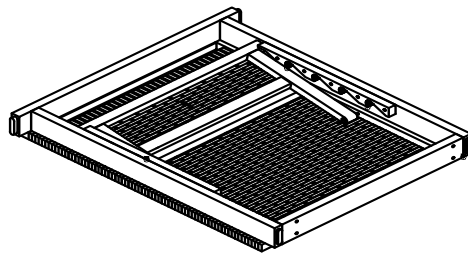
Assembly Preparation

Before Beginning Assembly



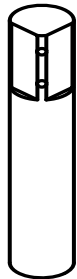
x1

A



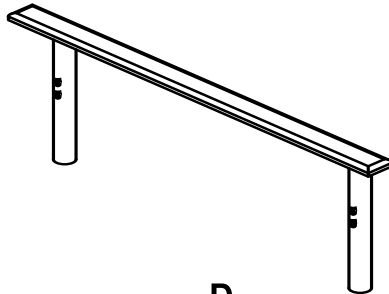
x1

B



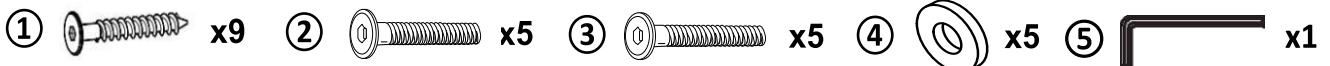
x2

C



x2

D





- Read instructions, cover to cover-



- Have 2 adults on hand for assembly-



- Do not assemble on flooring or carpet-



- Assemble on a clean non-marring surface (packing foam)-

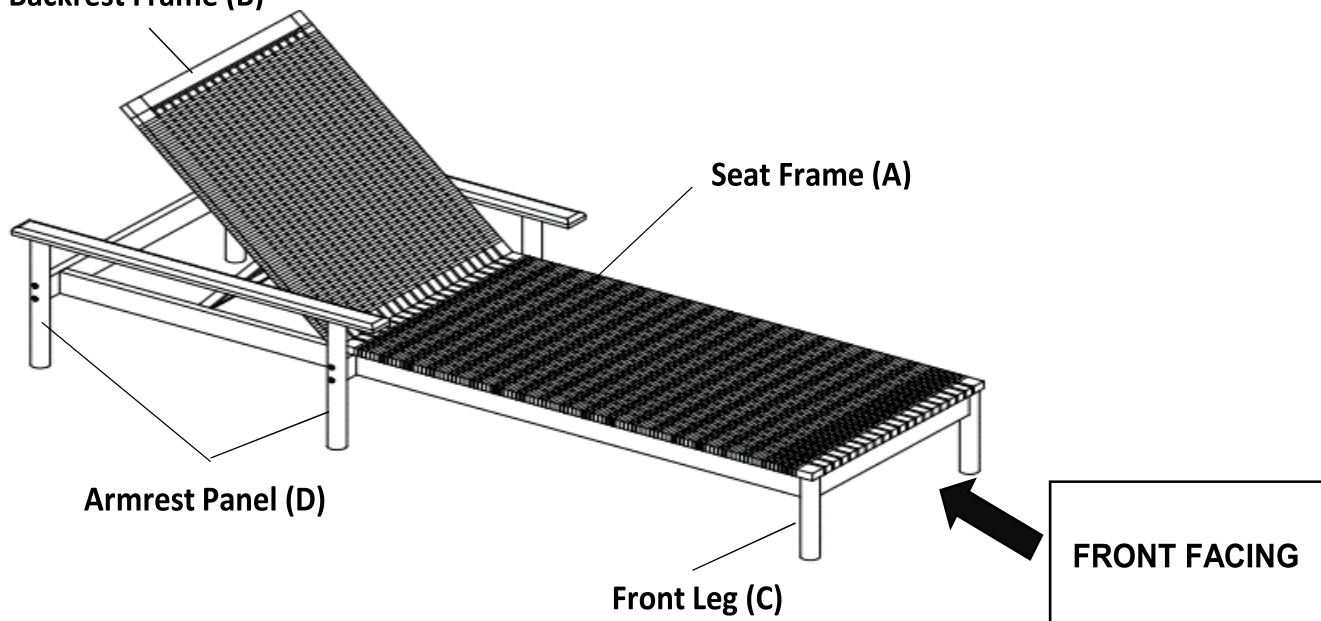


- Save all packaging until finished-

Assembly Steps

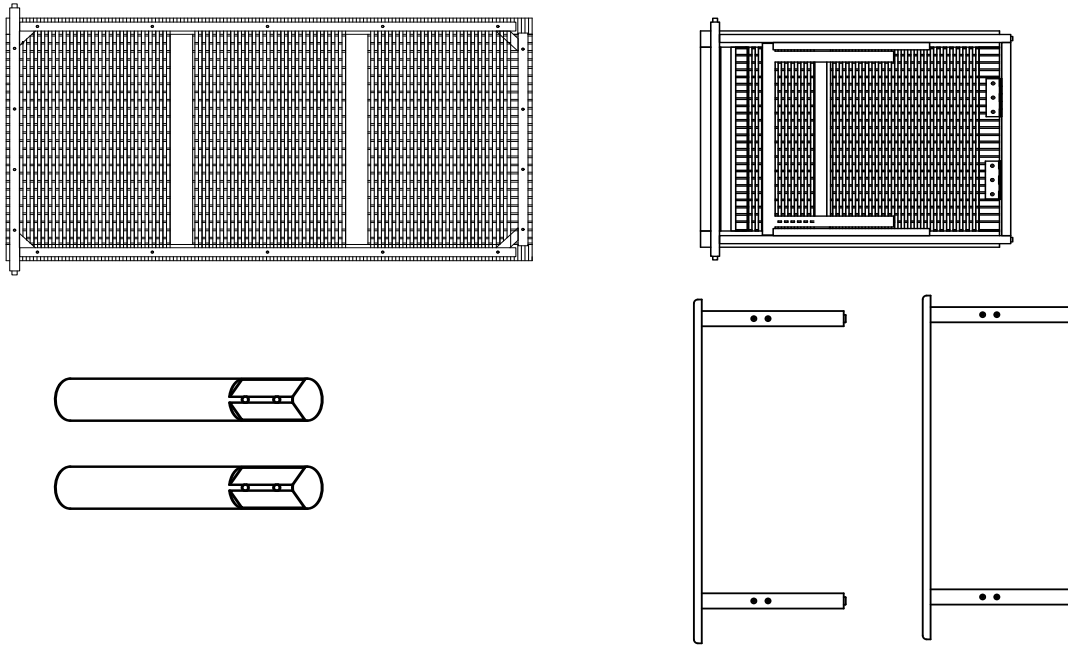
Overview

Backrest Frame (B)



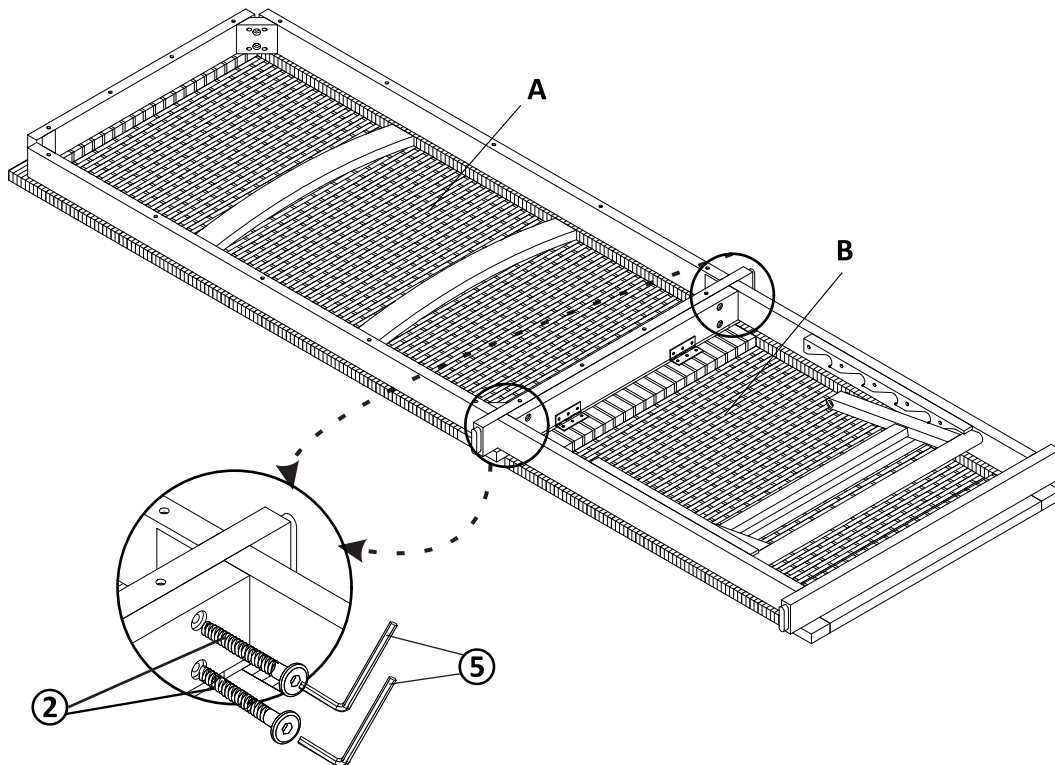
This Chaise Lounge has multiple parts and may require up to **30 minutes** to assemble. To give you an overview of the Chaise Lounge parts, the above picture is to help you put the various parts into perspective. Please read through the instructions below to familiarise yourself with the parts and steps before assembly.

Step 1:



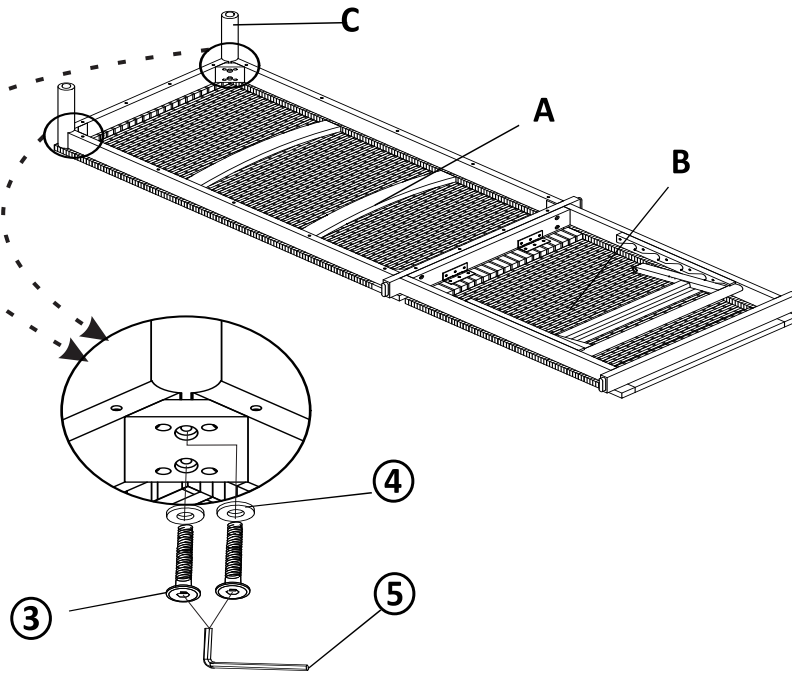
Unpack and place all parts on a clean, non-marring surface.

Step 2:



Place the Seat Frame (A) into the Backrest Frame (B).
With assistance from your adult partner, attach the Seat Frame (A) to the Backrest Frame (B) by using Bolts (2) and the Allen Wrench (5).
Do not fully tighten the Bolts at this time .

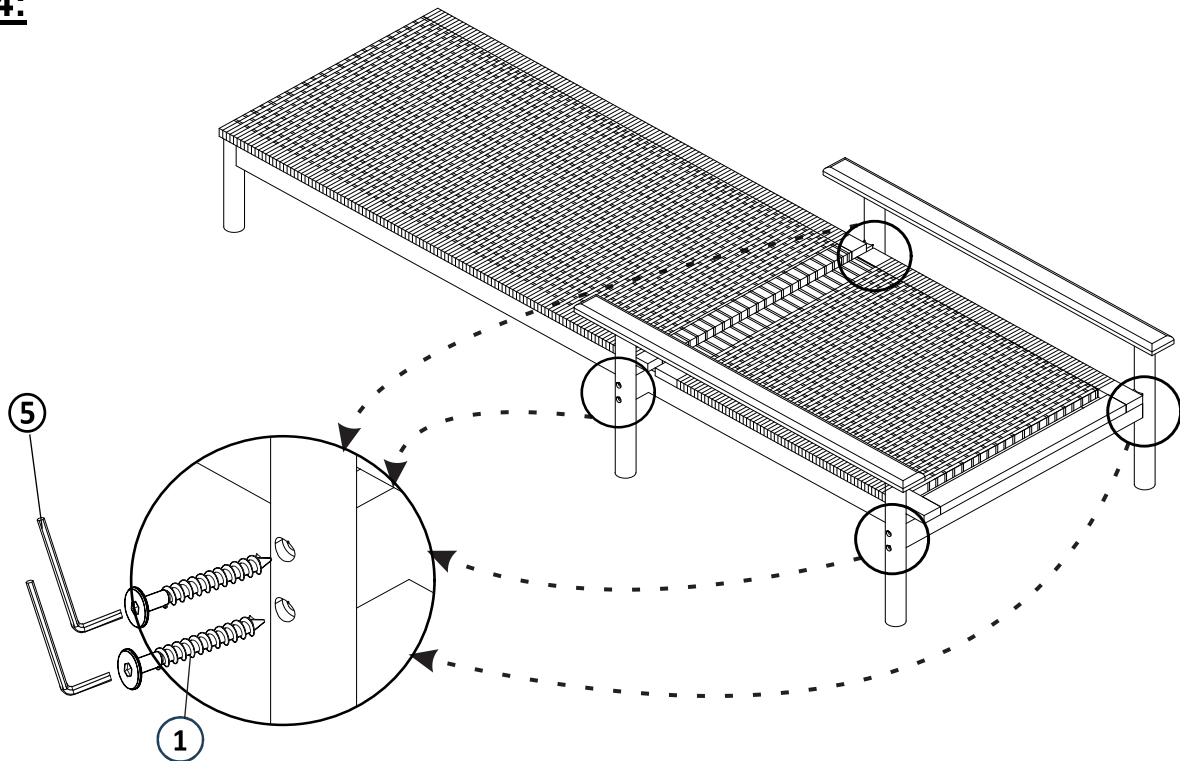
Step 3:



With assistance from your adult partner, attach the Front Leg (C) to the assembled part in step 2 by using Bolts (③), Washers (④) and the Allen Wrench (⑤).

Do not fully tighten the Bolts at this time

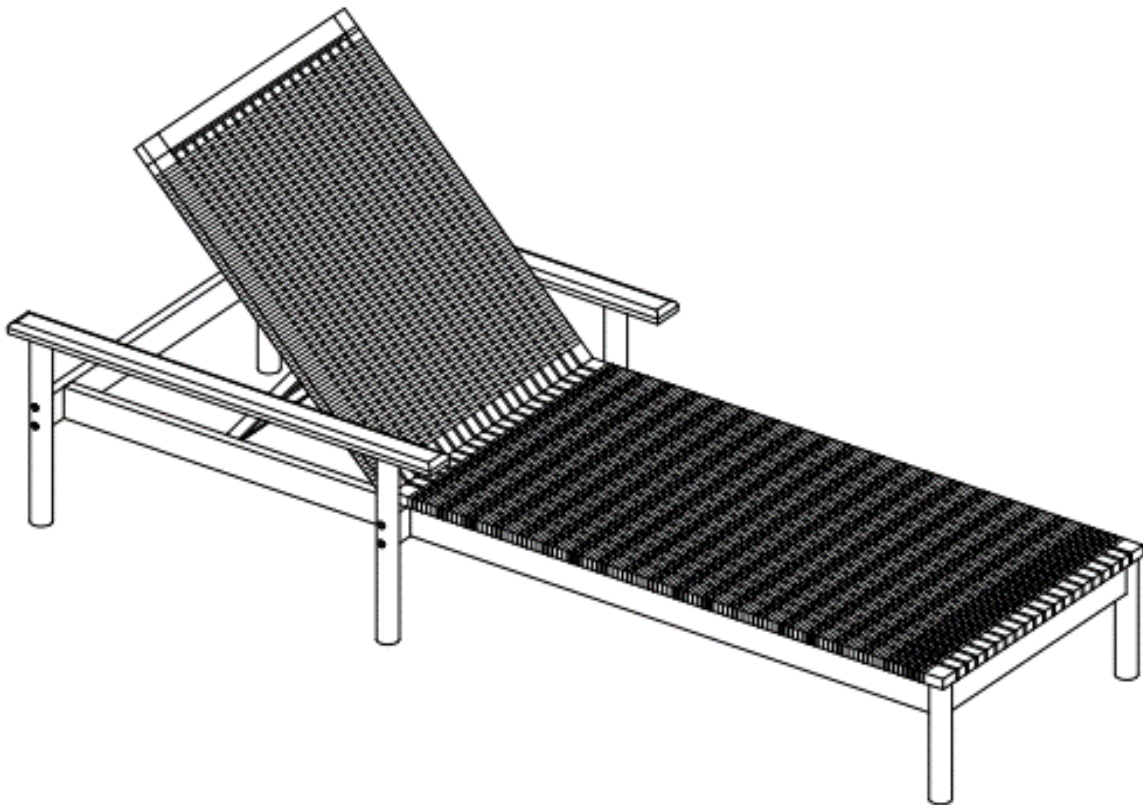
Step 4:



With the assistance of your adult partner(s), flip over the assembled part in Step 3. Attach the Armrest Panel (D) to the assembled part in Step 3 by using Screws (①) and the Allen Wrench (⑤).

Do not fully tighten the Screws at this time.

Step 5:



Exert pressure floorwards, onto the chaise lounge with both your hands.
This pressure will help the Legs and Chaise lounge Top reach full alignment status.
Check for wobbles on a LEVEL surface.
If no wobbles are found proceed to tighten the Bolts and Screws in a sequential manner, until evenly secured.
When tightening the Bolts and Screws tighten sequentially.
Do not tighten any Bolt or Screw fully and then move on towards the next one.
If there are still wobbles, loosen the Bolts and Screws and execute the same above process.
Your Chaise Lounge is ready for use.
This Chaise Lounge can only be used on a flat, level surface.

Questions & Answers about Proposition 65

- What is Proposition 65?

Proposition 65 requires businesses to provide warnings to Californians about significant exposures to chemicals that cause cancer, birth defects or other reproductive harm. These chemicals can be in the products that Californians purchase, in their homes or workplaces, or that are released into the environment. By requiring that this information be provided, Proposition 65 enables Californians to make informed decisions about their exposures to these chemicals.

Proposition 65 also prohibits California businesses from knowingly discharging significant amounts of listed chemicals into sources of drinking water.

Proposition 65 requires California to publish a list of chemicals known to cause cancer, birth defects or other reproductive harm. This list, which must be updated at least once a year, has grown to include approximately 900 chemicals since it was first published in 1987.

- What types of chemicals are on the Proposition 65 list?

The list contains a wide range of naturally occurring and synthetic chemicals that include additives or ingredients in pesticides, common household products, food, drugs, dyes, or solvents. Listed chemicals may also be used in manufacturing and construction, or they may be byproducts of chemical processes, such as motor vehicle exhaust.

- What does a warning mean?

If a warning is placed on a product label or posted or distributed at a workplace, a business, or in rental housing, the business issuing the warning is aware or believes that it is exposing individuals to one or more listed chemicals.

By law, a warning must be given for listed chemicals unless the exposure is low enough to pose no significant risk of cancer or is significantly below levels observed to cause birth defects or other reproductive harm.

- Where can I get more information on Proposition 65?

If you have specific questions on the administration or implementation of Proposition 65, you can contact OEHHA's Proposition 65 program at P65.Questions@oehha.ca.gov, or by phone at (916) 445-6900.