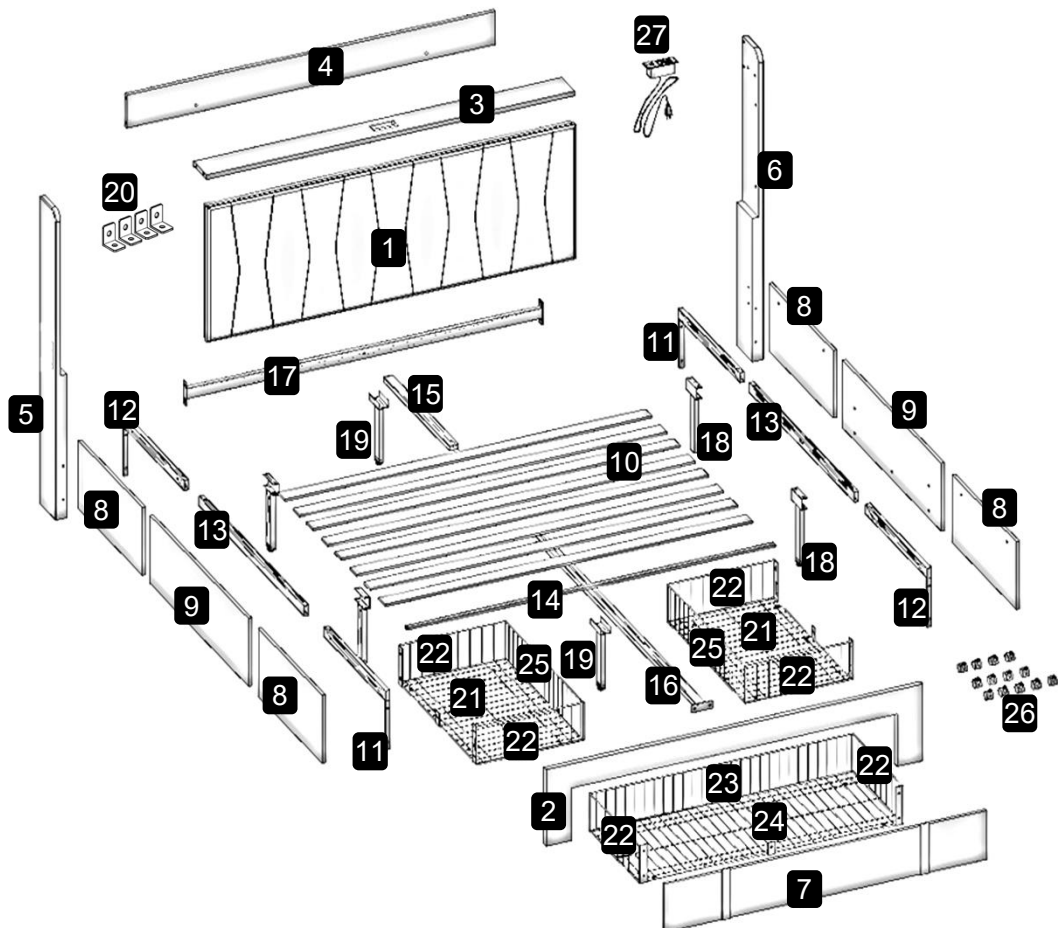
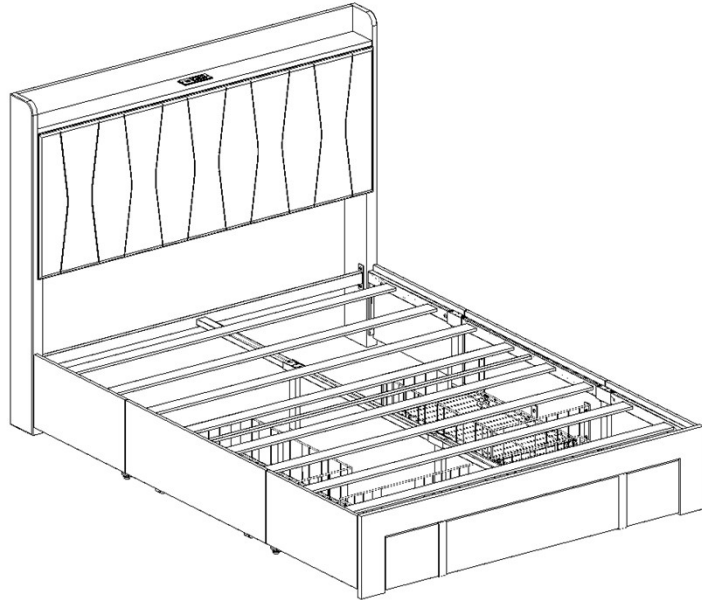


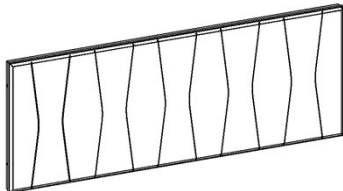
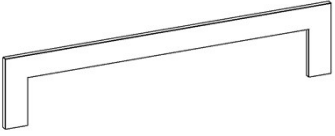
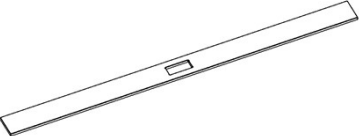
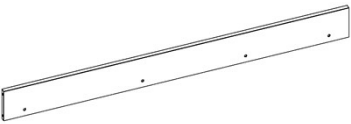


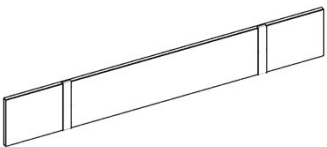
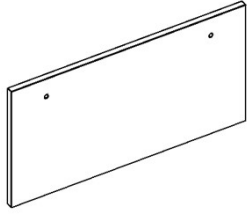
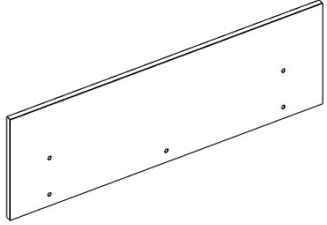

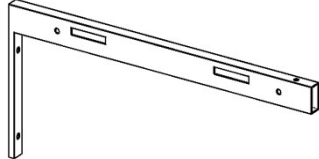
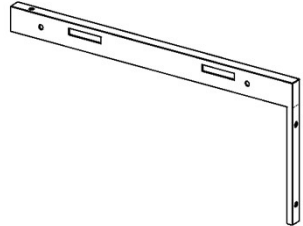
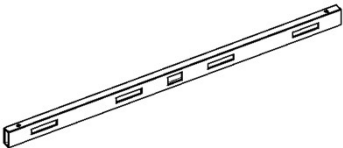

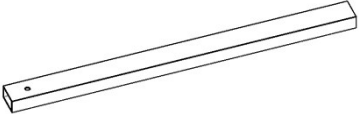
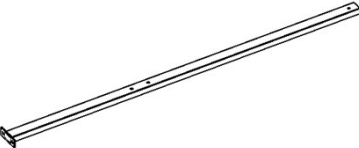
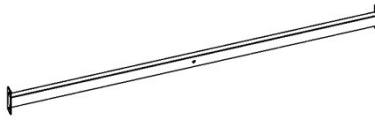
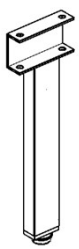
ASSEMBLY INSTRUCTION

W1580119377 / W1580119378

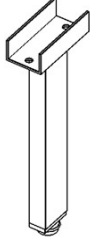


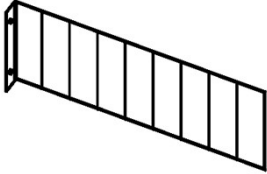
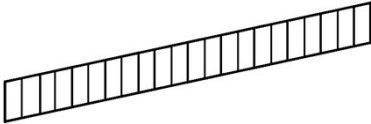
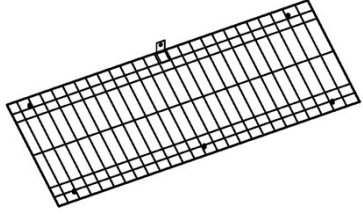
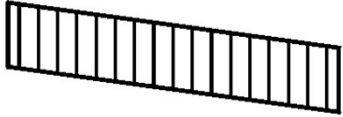

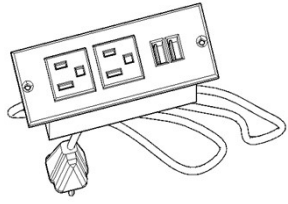
- TIPS**
1. This bed fit standard queen mattress 80" L x 60" W.
 2. Always use the recommended size mattresses or mattress supports, or both, to help prevent the likelihood of entrapment or falls.
 3. Do not allow horseplay on or under the bed and prohibit jumping on the bed.
 4. Do not use substitute part. Contact the manufacture or dealer for replacement part.







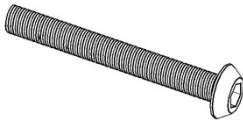

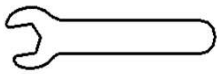




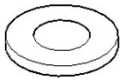



Part List

<p>1</p>  <p>Headboard x1</p>	<p>2</p>  <p>Footboard x1</p>	<p>3</p>  <p>Panel x1</p>
<p>4</p>  <p>Backboard x1</p>	<p>5</p>  <p>Headboard Leg x1</p>	<p>6</p>  <p>Headboard Leg x1</p>
<p>7</p>  <p>Panel x1</p>	<p>8</p>  <p>Side Rail x4</p>	<p>9</p>  <p>Panels x2</p>
<p>10</p>  <p>Slats x8</p>	<p>11</p>  <p>Metal Slat Frame x2</p>	<p>12</p>  <p>Metal Slat Frame x2</p>
<p>13</p>  <p>Metal Slat Frame x2</p>	<p>14</p>  <p>Rail x1</p>	<p>15</p>  <p>Support Frame x1</p>
<p>16</p>  <p>Support Frame x1</p>	<p>17</p>  <p>Rail x1</p>	<p>18</p>  <p>Support Leg x4</p>

Part List

<p>19</p>  <p>Support Leg x2</p>	<p>20</p>  <p>Angle iron x4</p>	<p>21</p>  <p>Drawers Bottom Net x2</p>
<p>22</p>  <p>Drawers Side Net x6</p>	<p>23</p>  <p>Side Net x1</p>	<p>24</p>  <p>Drawers Bottom Net x1</p>
<p>25</p>  <p>Side Net x2</p>	<p>26</p>  <p>Caster x13</p>	<p>27</p>  <p>Socket X1</p>

Hardware List

<p>A</p>  <p>Bolts(M6X10mm) X19</p>	<p>B</p>  <p>Bolts(M6X20mm) X2</p>	<p>C</p>  <p>Bolts(M6X30mm) X27</p>
<p>D</p>  <p>Bolts(M6X35mm) X8</p>	<p>E</p>  <p>Bolts(M6X55mm) X8</p>	<p>F</p>  <p>Nut(M6) X12</p>
<p>G</p>  <p>Spanner X1</p>	<p>H</p>  <p>Allen Key X1</p>	<p>I</p>  <p>Clasp X35</p>
<p>J</p>  <p>Eccenter X4</p>	<p>K</p>  <p>Connecting screw rod X4</p>	<p>L</p>  <p>Flat gasket X4</p>
<p>M</p>  <p>Screws (M4X16mm) X6</p>	<p>N</p>  <p>Screws (M3X12mm) X2</p>	<p>O</p>  <p>Angle iron x2</p>

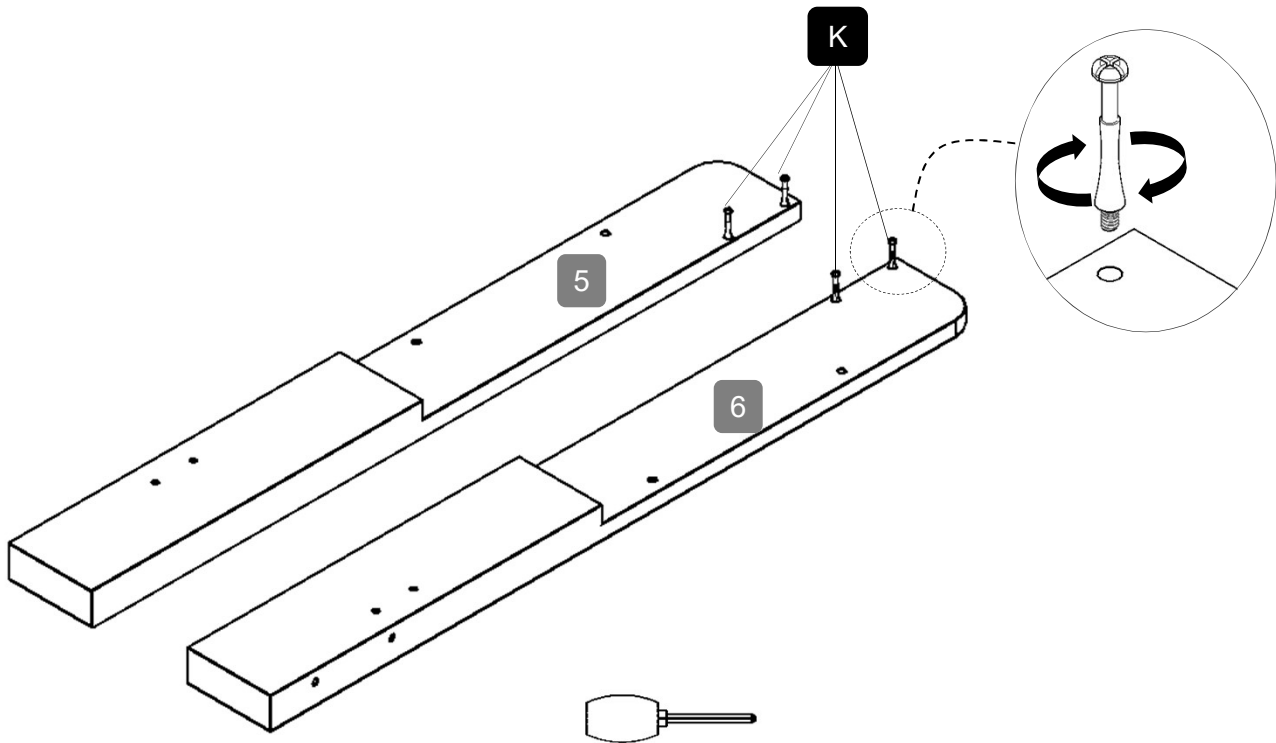
Step1

Attention: Do not tighten the screws before completing the entire installation. If you have any difficulty with the installation process, please feel free to contact us.

K



Connecting screw rod X4



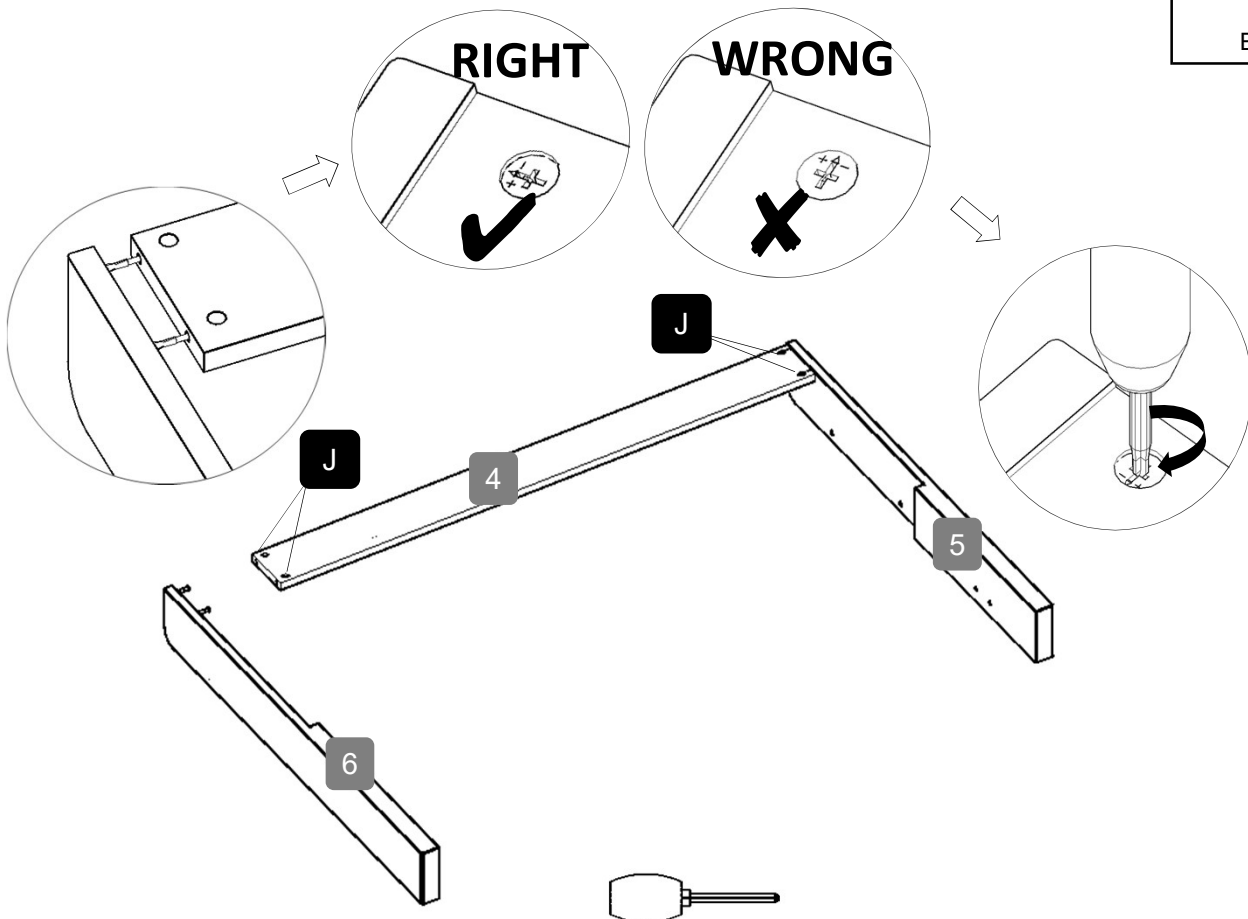
Assembly Tools Required(Not Included)

Step2

J



Eccenter X4



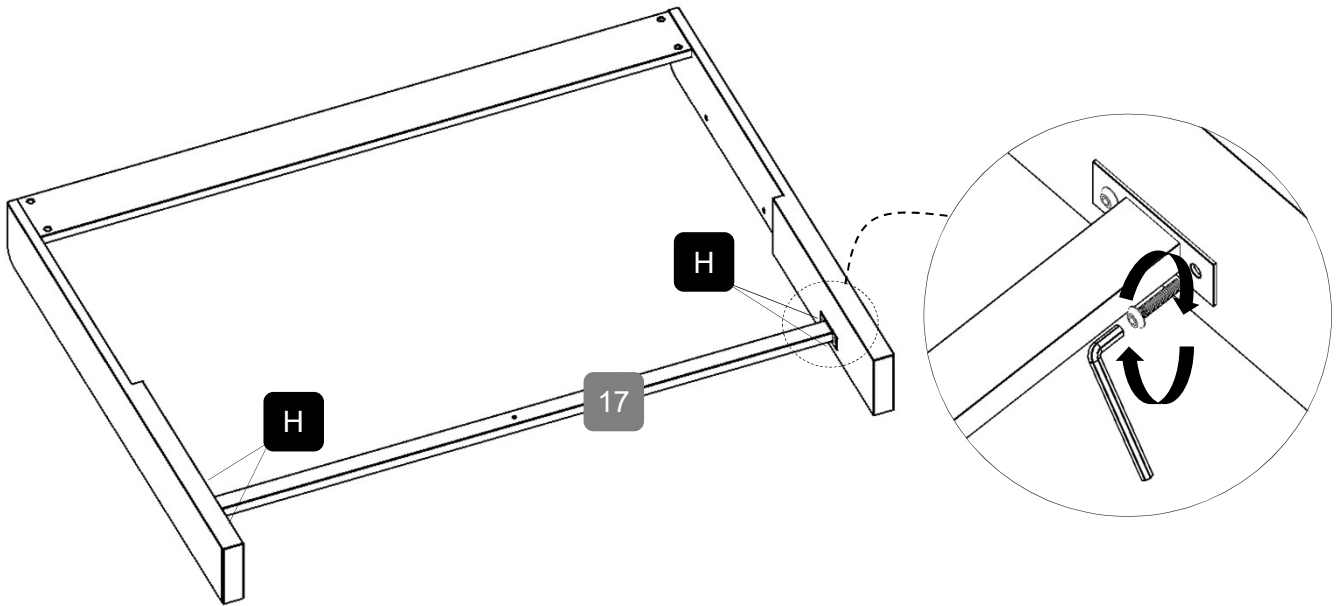
Assembly Tools Required(Not Included)

Step3

C



Bolts(M6X30mm) X4

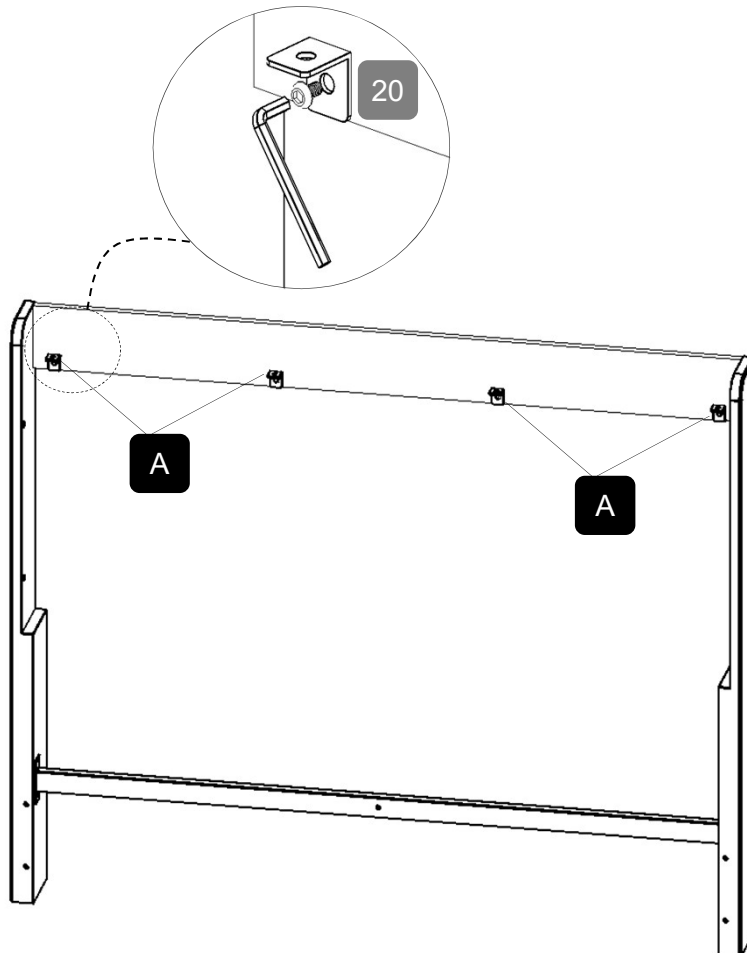


Step4

A



Bolts(M6X10mm) X4

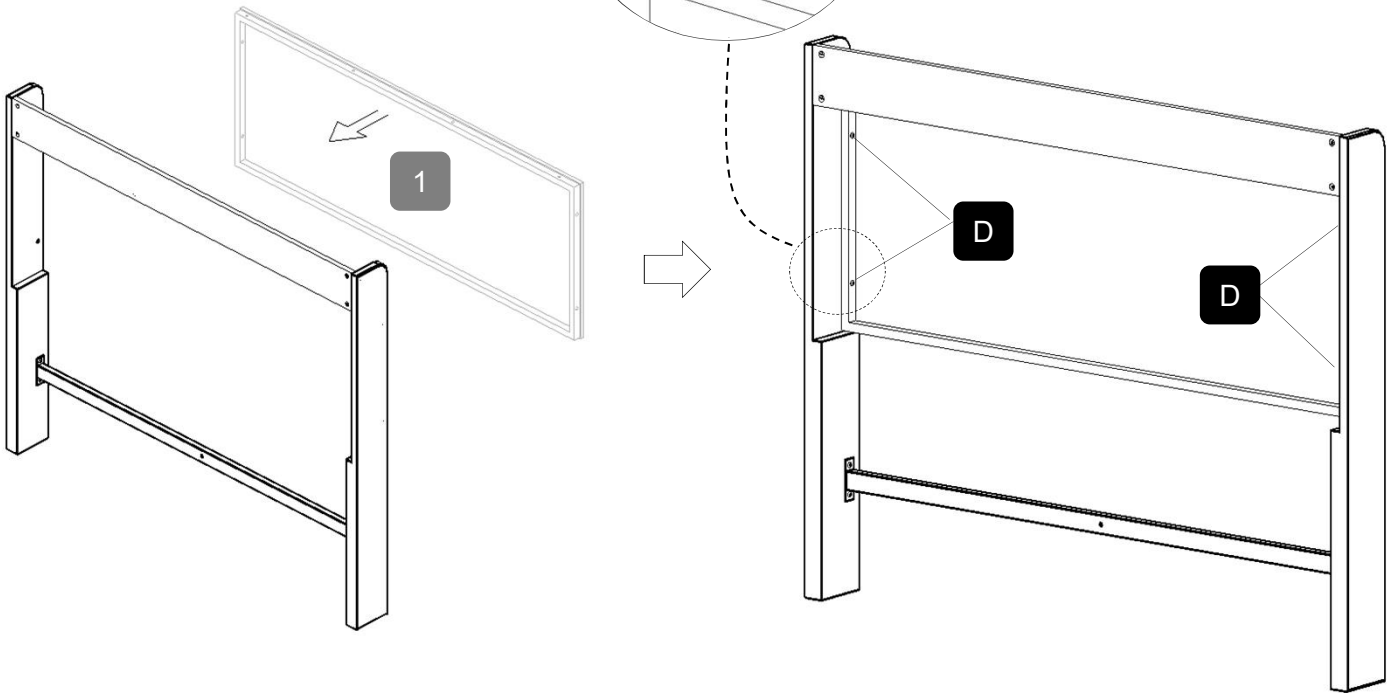


Step5

D



Bolts(M6X35mm) X4



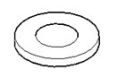
Step6

D



Bolts(M6X35mm) X4

L

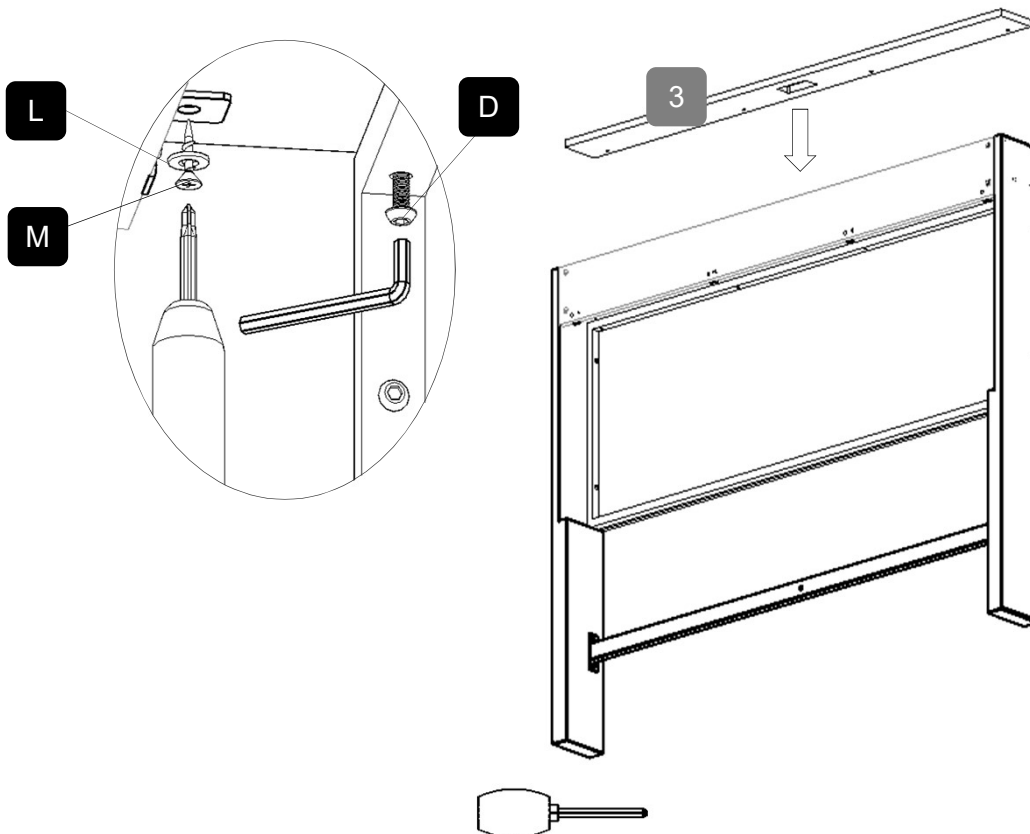


Flat gasket X4

M



Screws (M4X16mm) X4

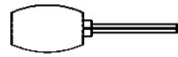
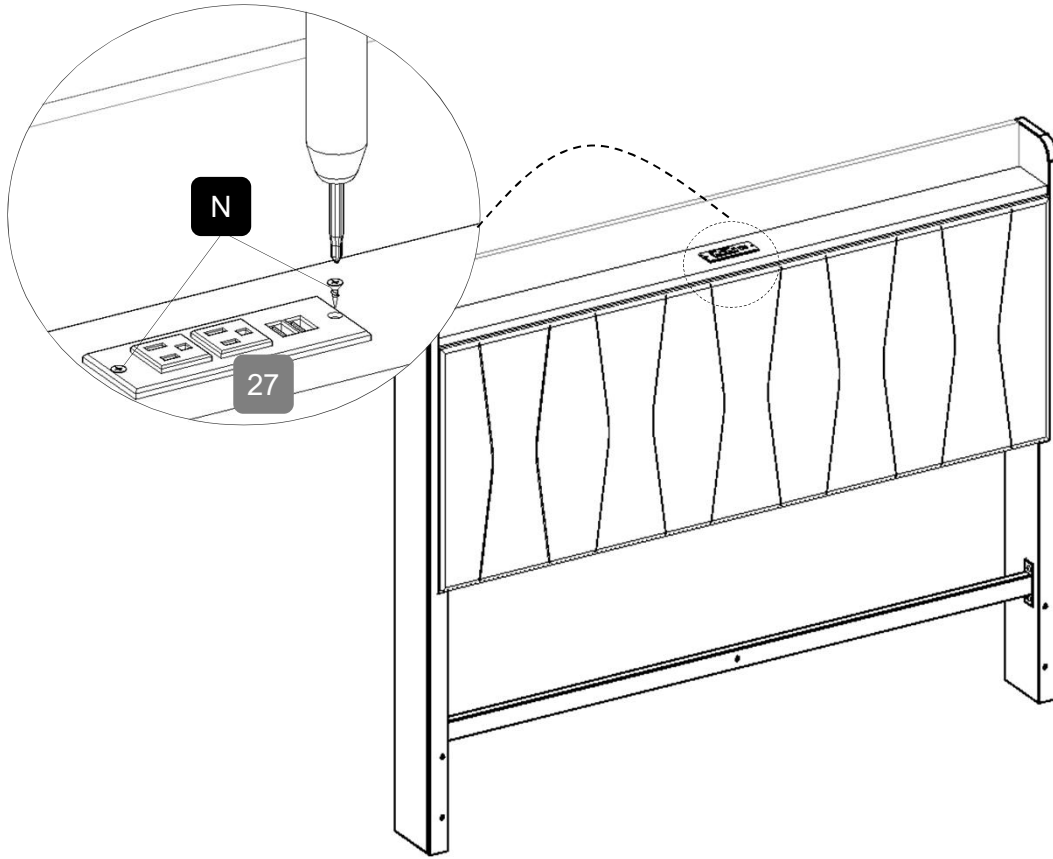


Step7

N



Screws (M3X12mm) X2



Assembly Tools Required(Not Included)

Step8

C



Bolt(M6X30mm) X6

E

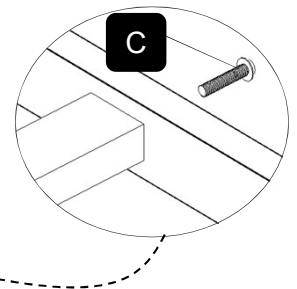
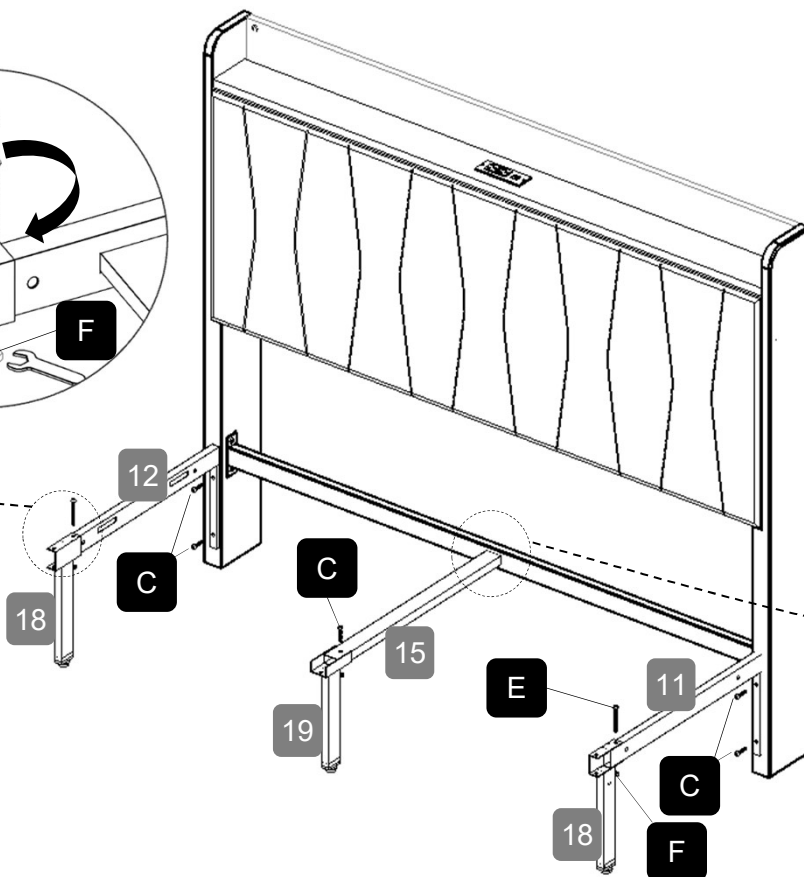
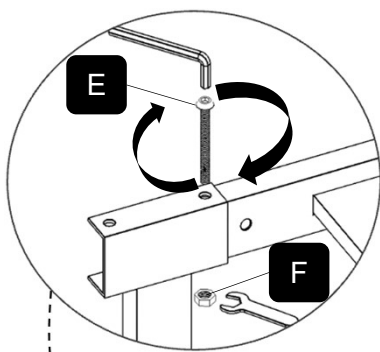


Bolt(M6X55mm) X2

F



Nut(M6) X3



Step9

C



Bolt(M6X30mm) X3

E

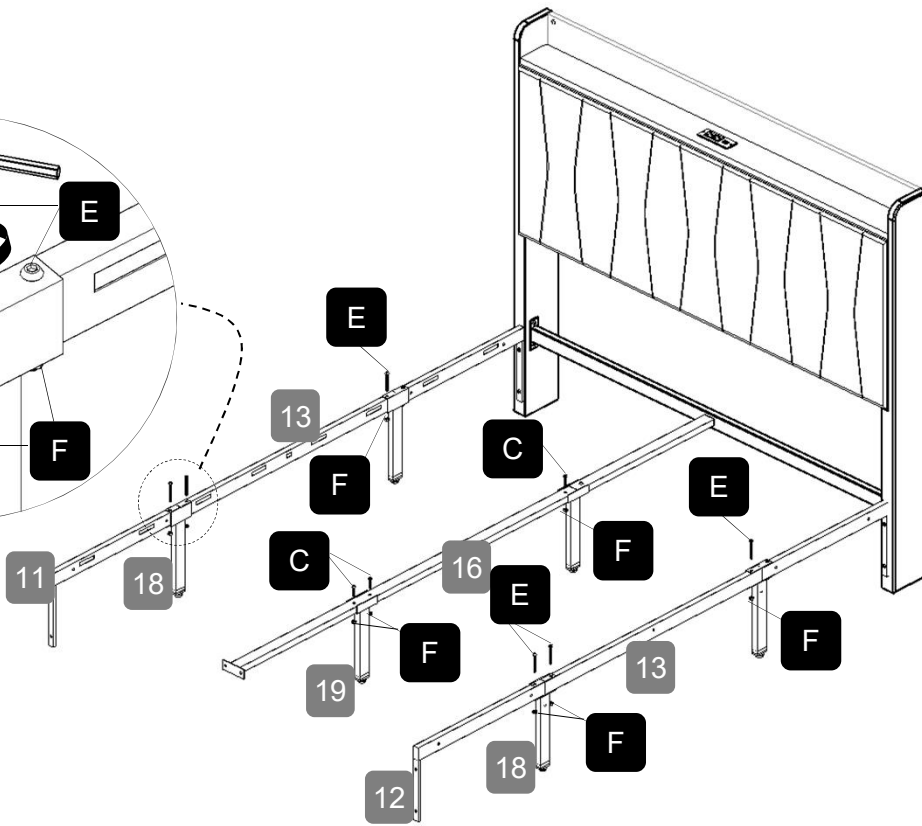
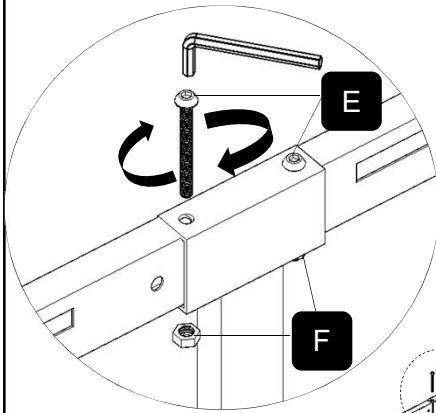


Bolt(M6X55mm) X6

F



Nut(M6) X9

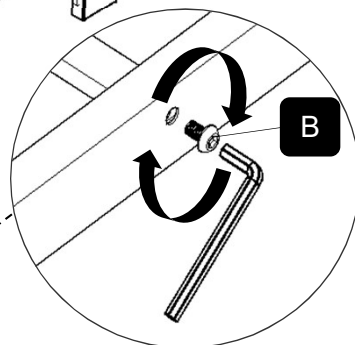
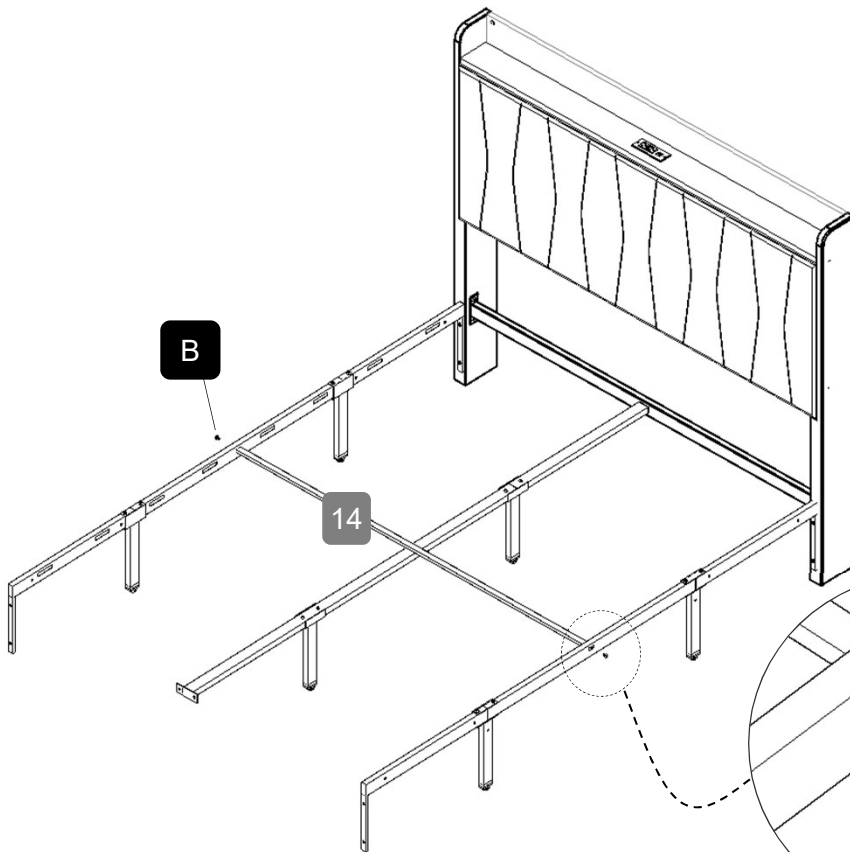


Step10

B



Bolt(M6X20mm) X2

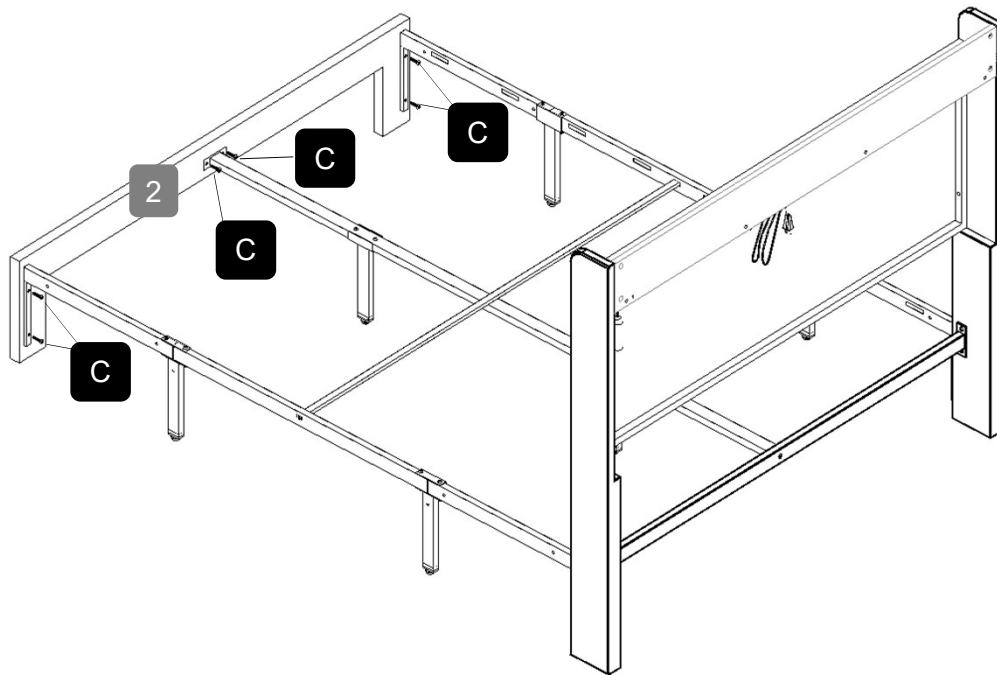


Step11

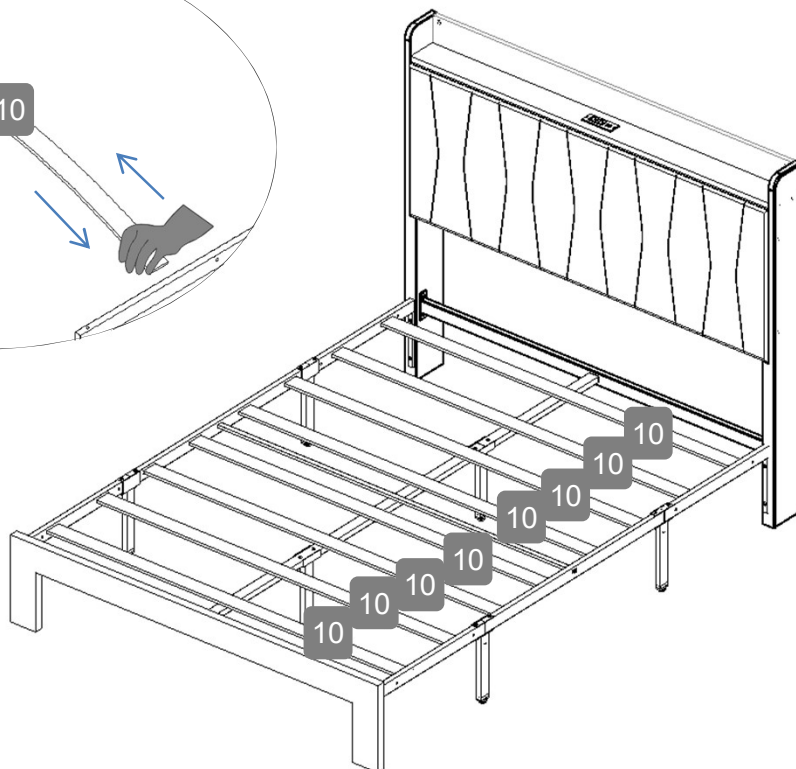
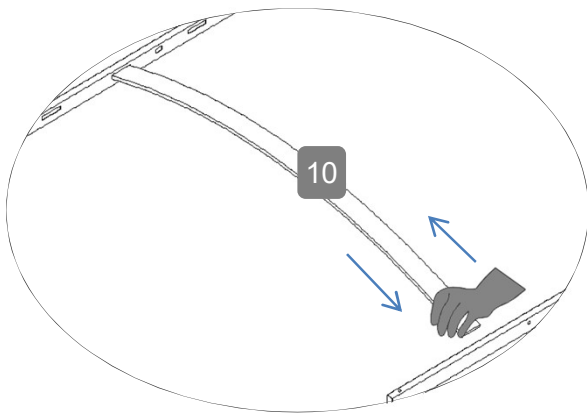
C



Bolt(M6X30mm) X6



Step12

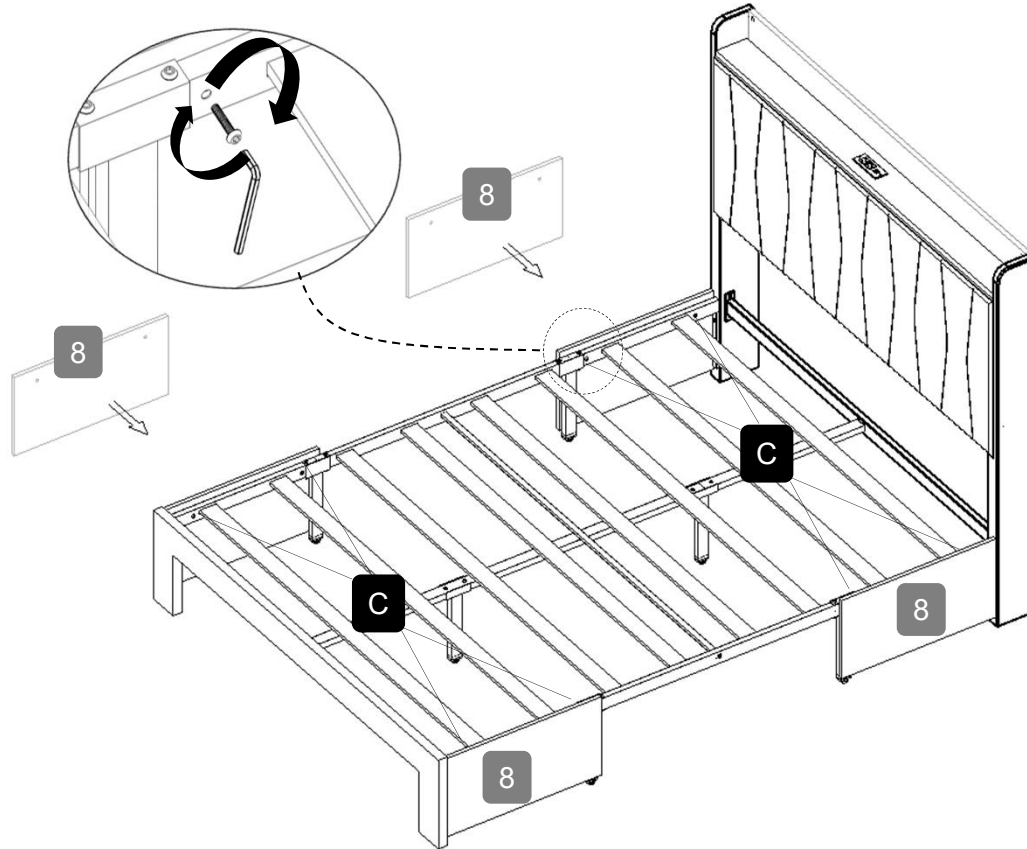


Step13

C



Bolt(M6X30mm) X8



Step14

A

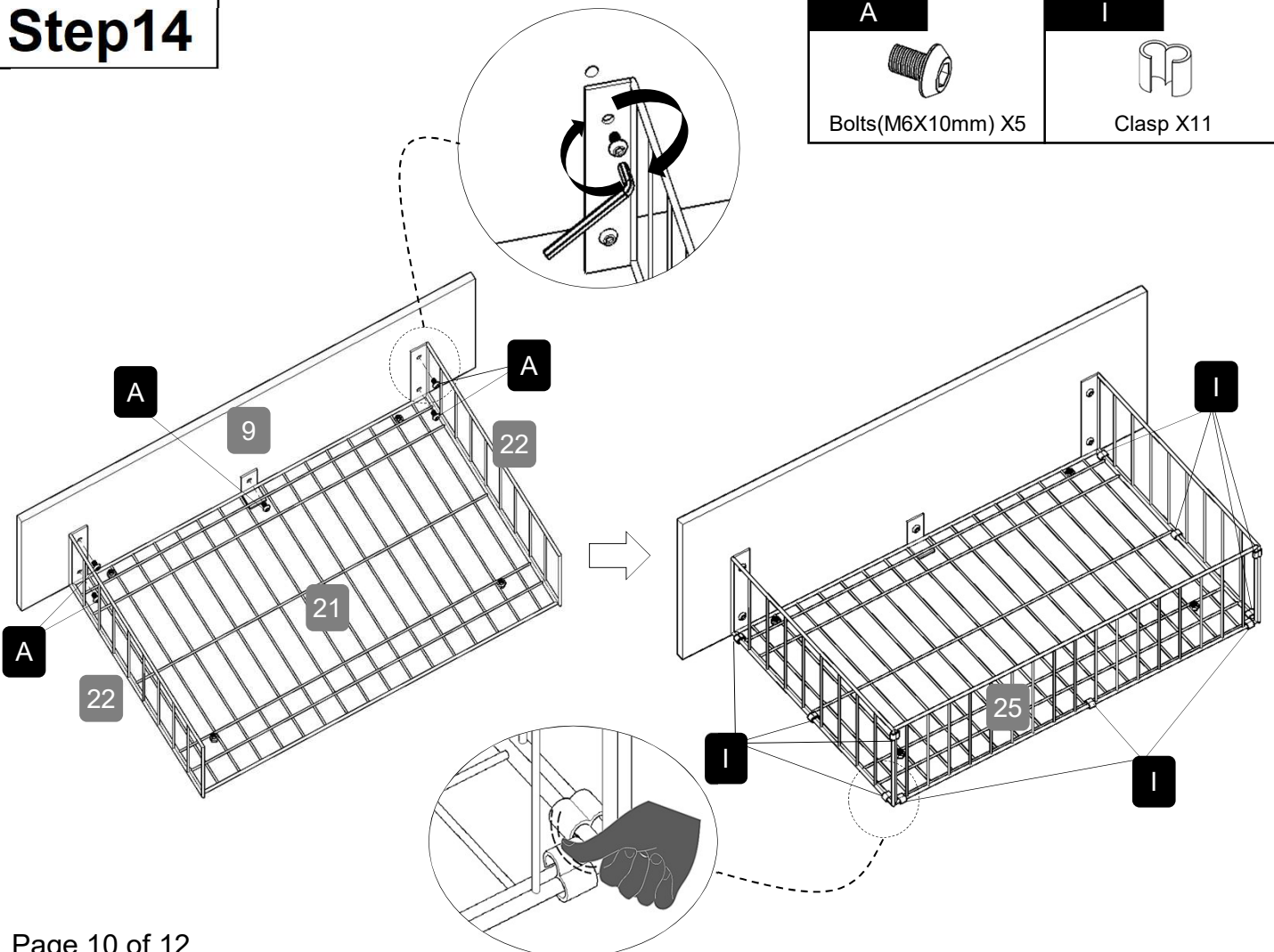


Bolts(M6X10mm) X5

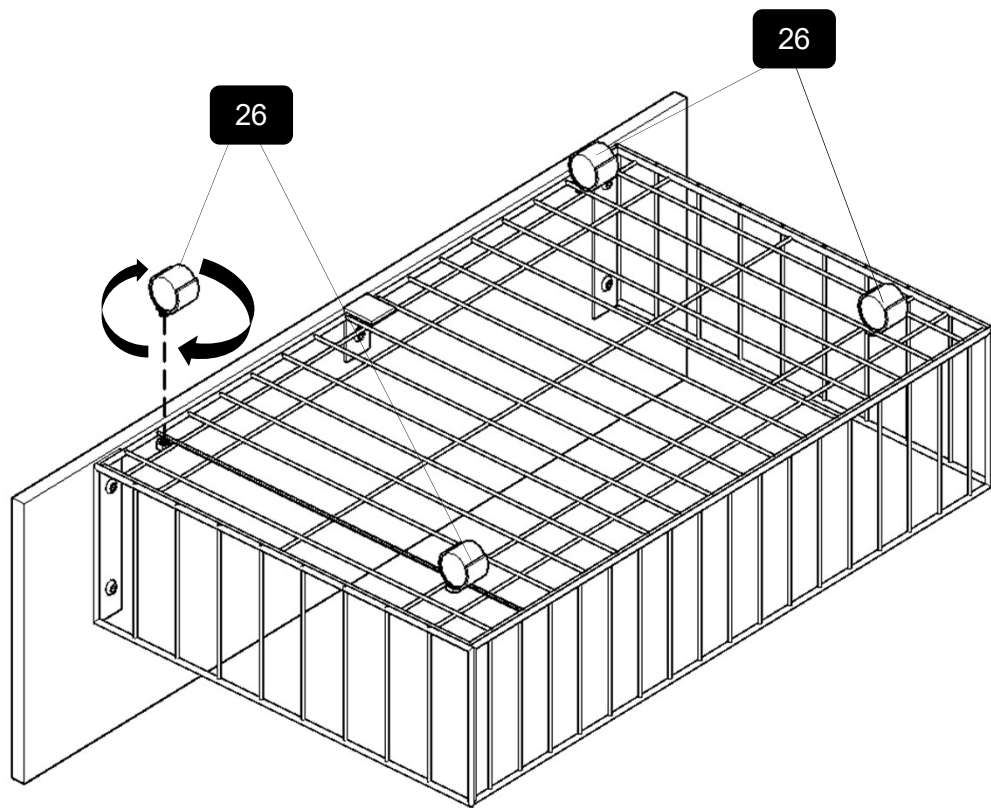
I



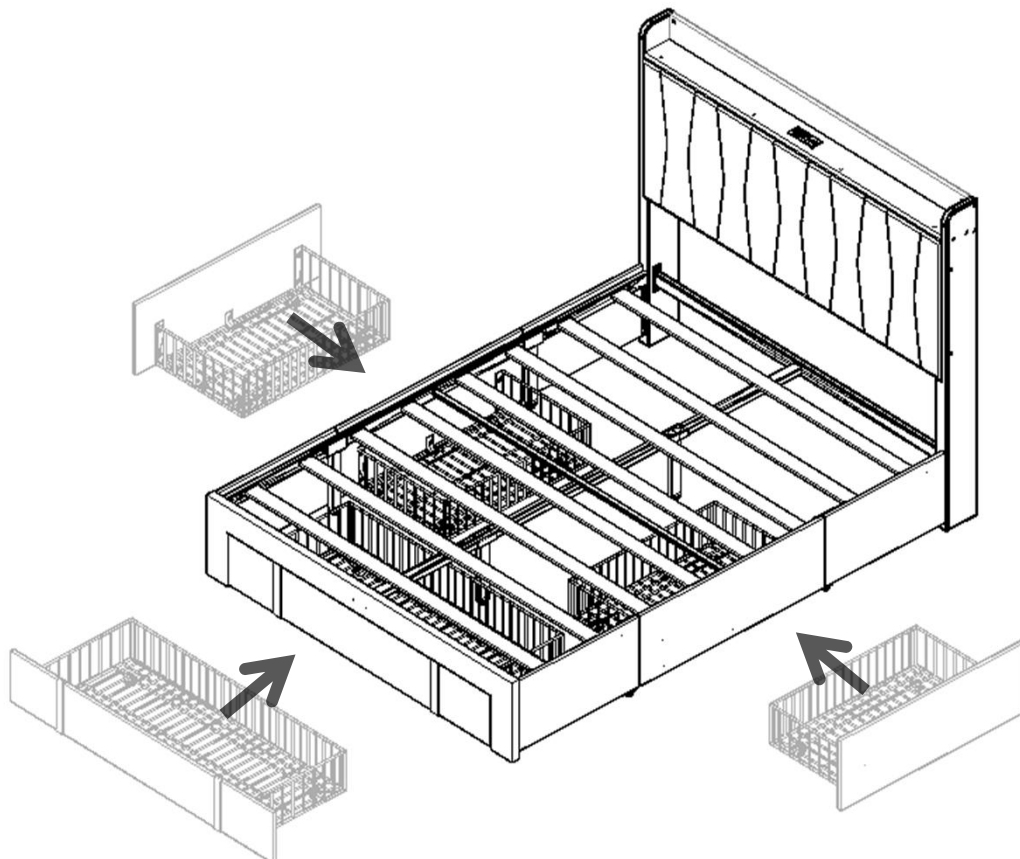
Clasp X11



Step15



Step16



Step17

M

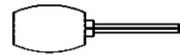
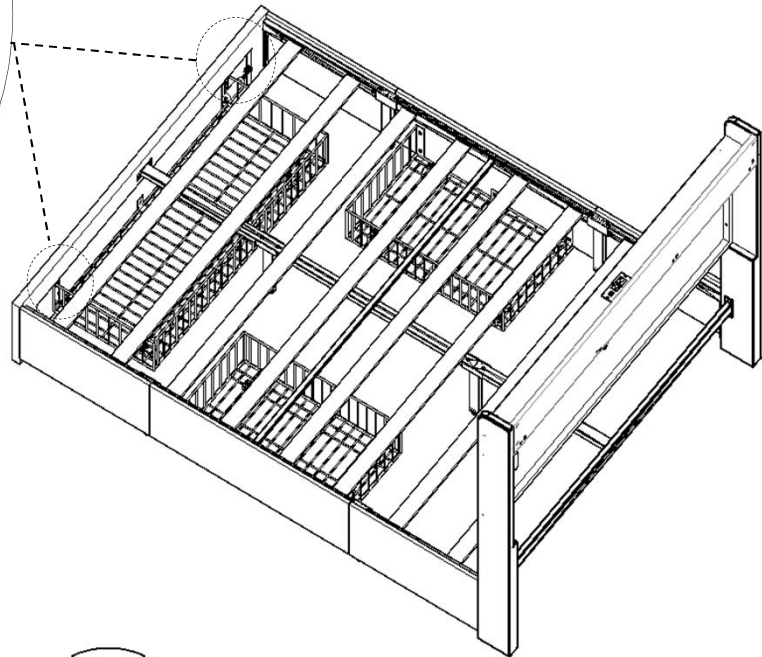
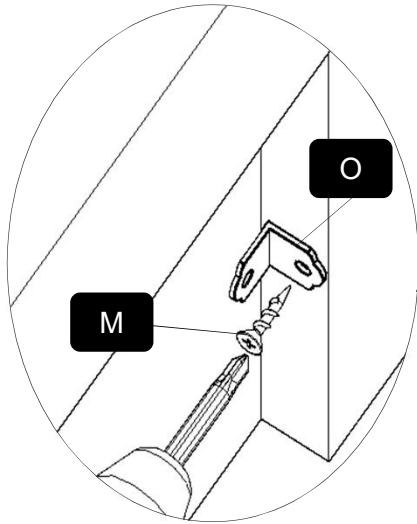


Screws(M4x16mm)X2

O

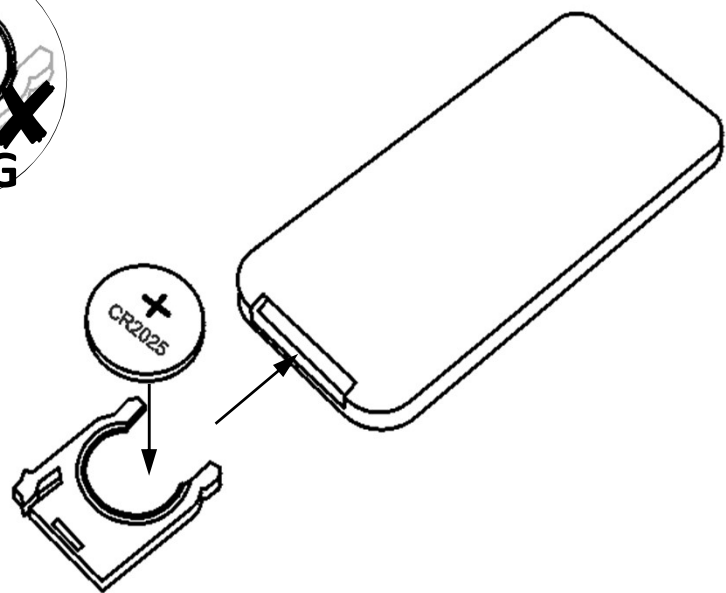
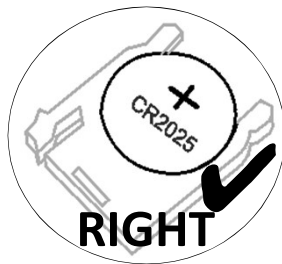


Angle iron x2



Assembly Tools Required(Not Included)

Step18



Remote control does not contain batteries, please buy your own a CR2025 button battery installed into the remote control