



Laurel Mountain

Seneca III 72" x 48" Drop-In Acrylic Tub with Wav- Music, Light, Vibe System

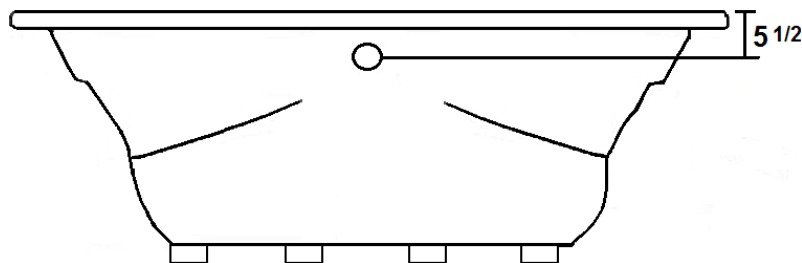
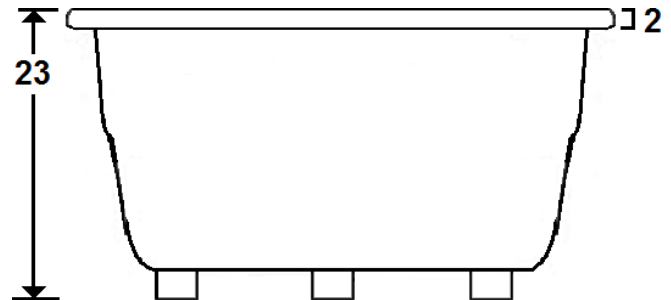
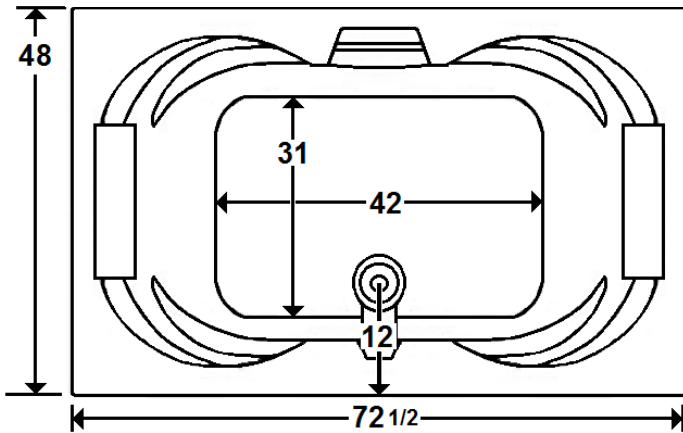
Model Number
4872STV
Drop-In Soaking Tub with Wav
System in White

Features:

- 4 LED Chromotherapy Lights
- Wav technology provides a surround sound experience and emits sound waves
- Control amplifier with two transducers
- Bluetooth Compatibility
- Pillow included (removable)
- Pre-leveled base for easy installation
- Constructed of high-gloss durable acrylic
- Can be undermounted
- Made in the USA



All dimensions are +/- 1/2" and subject to change without notice
Confirm specifications before installation



Technical Information

- Cut-Out Dimensions: 70 1/2" x 46"
- Weight: appx 165 lbs
- Water Depth to Overflow: 16 1/4"
- Water Capacity: 112 gal
- Sump Dimension: 42" x 31"

Electrical Requirements

- Wav System: 1 AMP
- (Optional) LM305 Heater: 12 AMPS
- (Optional) LM301 Radiant Heat Backrest: 1.2 AMPS
- Dedicated GFCI's required

Seneca III

Model Number
4872STV
Drop-In Soaking Tub with Wav
System in White

Acrylic Tub

This Traditional style drop in tub includes the Wav-Music, Light, Vibe System, a sloped backrest, integral arm rests and removable pillow. Other standard features include a textured floor, and premium reinforcement. This tub is made in the USA and is available in white.

Laurel Mountain enables you to enhance your bathing experience by offering a broad range of options to customize your bath. The options available on this bath are shown below.

AVAILABLE OPTIONS & UPGRADES

For current pricing, pictures, and descriptions of the Laurel Mountain options listed below, go to www.lowes.com. Enter the model number of the option into the search bar at the top right of the page next to the magnifying glass. For additional information, visit www.laurelmountainbath.com or call Laurel Mountain customer service at 800-930-0050.

Therapeutic

LM301 Radiant Heated Backrest

LM305 Inline Heater

Accessories

CABLE OPERATED DRAINS

LM200 Chrome

LM201 Brushed Nickel

LM202 Bronze

LM210 White

LM211 Biscuit

8" Grab Bar

LM230 White

Design/Construction

LM548 Int Drain Side

LM549 Int Opp Drain Side

LM542 Plastic Attachable Flange

Installation

Install this unit according to the Owner's Manual. The Owner's manual can be found by visiting the "Help" page at www.laurelmountainwhirlpools.com. Select "Installation" on the right side of the page. Then click on the "Colony Owner's Manual".