

Features

- Triple-mirror design offers optimal reflectivity.
- Soft-close door prevents slamming.
- Two-adjustable tempered-glass shelves provide additional bathroom storage.
- Full-overlay mirrored door with beveled edges.
- Mirrored side kit offers complete, finished look for surface-mount installations.
- Two-way adjustable hinges with 108° opening capability for easy cabinet access.
- Dual-mounting system design fits any bathroom.
- Box includes: Assembled mirrored cabinet, mirrored side kit, installation hardware, and instructions.

Material

- Anodized aluminum construction with a durable rustproof and chip-resistant finish.

Installation

- Surface-mount or recessed.

Recommended Products/Accessories

- K-2659 Cabinet Lockbox
- K-23723 Faucet cleaner

Included Components

- Additional Components:
- Mirrored side kit

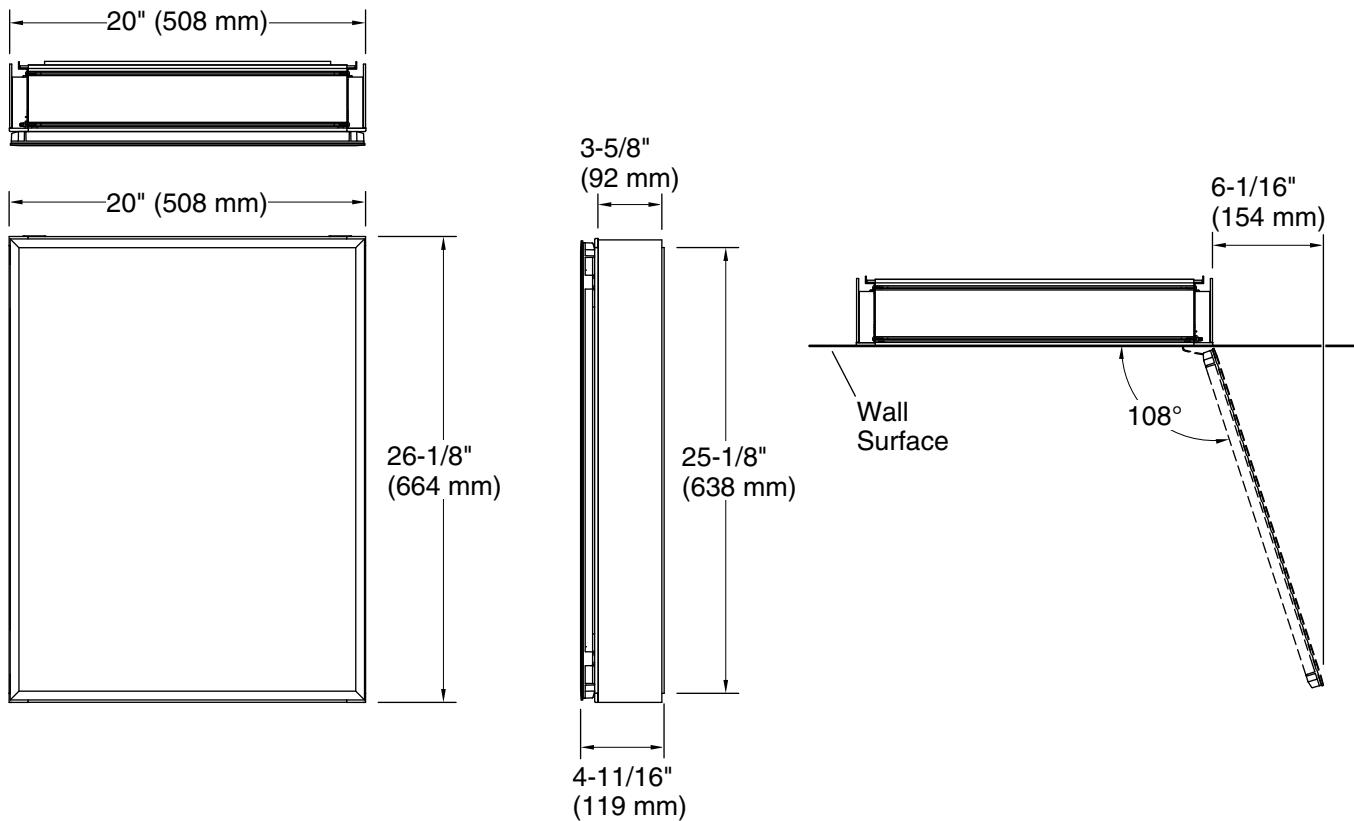


Codes/Standards

None Applicable

KOHLER® One-Year Limited Warranty

See website for detailed warranty information.



Technical Information

All product dimensions are nominal.

Notes

Install this product according to the installation instructions.

CAUTION: Risk of electric shock. Electrical wiring may need to be relocated.

IMPORTANT! For recess mounting, the wall cavity must be framed and cabinet secured to framing studs. Reroute any electrical wires or water supply piping from the wall cavity. If you encounter drain or vent piping, or if your wall is load-bearing, consult a professional before proceeding.

CAUTION: Risk of property damage. For surface mounting, use anchors (not provided) rated for the loaded weight of this product. Refer to the anchor manufacturer's instructions. When determining the height of the cabinet, ensure the mirrored door will clear all obstacles (such as a faucet). A minimum distance of 3" (76 mm) is required.

Roughing-in opening for recess-mount installation: 19-1/4" (492 mm) x 25-1/4" (641 mm)