

WaterTile® | K-77119

Round 27-nozzle single-function body spray, 1.0 gpm

Features

- 1/2" NPT connection
- 1.0 gpm (3.8 lpm) flow rate at 80 psi (552.6 kPA)
- MasterClean™ sprayface features an easy-to-clean surface that withstands mineral buildup and maximizes spray performance



Sustainability



Available Colors/Finishes

Color tiles intended for reference only.

- CP Polished Chrome
- SN Vibrant Polished Nickel
- AF Vibrant French Gold
- BN Vibrant Brushed Nickel
- BV Vibrant Brushed Bronze
- BL Matte Black
- 2MB Vibrant Brushed Moderne Brass
- TT Vibrant Titanium
- BGP Vibrant Brushed Graphite



Codes/Standards

ASME A112.18.1/CSA B125.1
DOE - Energy Policy Act 1992
California Energy Commission (CEC)

Recommended Products/Accessories

K-23723 Faucet cleaner

Technology

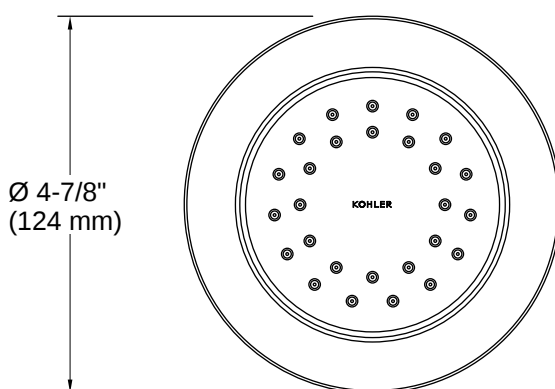
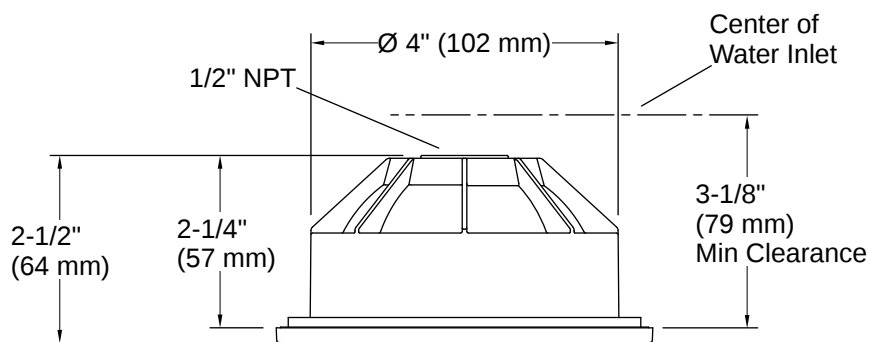
- Katalyst® air-induction technology infuses water with air, creating bigger drops for a more powerful spray
-

Warranty

See website for detailed warranty information.

KOHLER® Faucet Lifetime Limited Warranty





Installation Notes

Install this product according to the installation instructions.

For use with automatic compensating valves rated at 1.6 gal/min (6.1 l/min) or less.

Caution: Risk of personal injury. To prevent water temperature fluctuation and possible scalding, use two or more 1.0 gpm body sprays to maintain valve stability.

