



ComfortSEAL Interior Windows

INSTALLATION INSTRUCTIONS

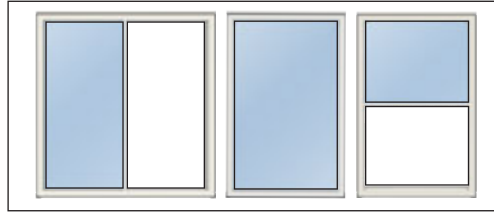
202220938-1118

Tools Recommended

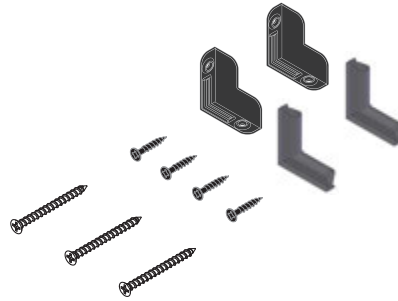
Drill
Phillips Screwdriver Bit
1/8-in Drill Bit
Level
Pencil
Caulk or Silicone



Parts List



Window Styles May Vary



Prep Steps

Remove top channel cover from the top channel. Leave sash in open position.

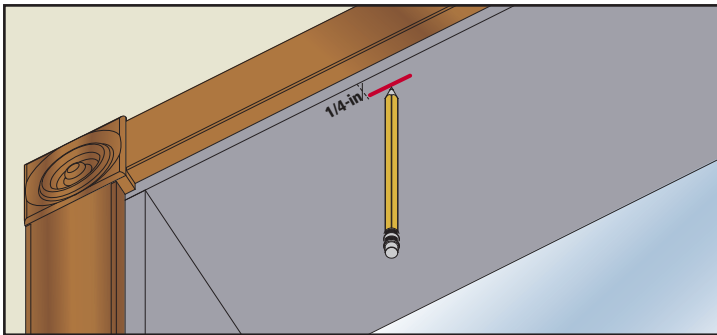
Do not remove shipping tape.

Two people are recommended for most installations due to the weight of the window.

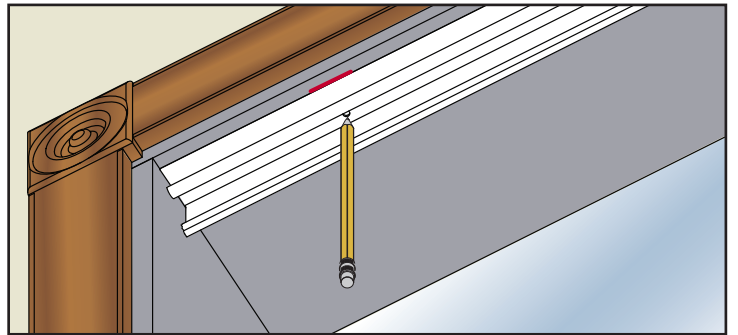
For additional information on interior windows and installation, go to www.LARSONdoors.com/windows

1 Install Top Channel

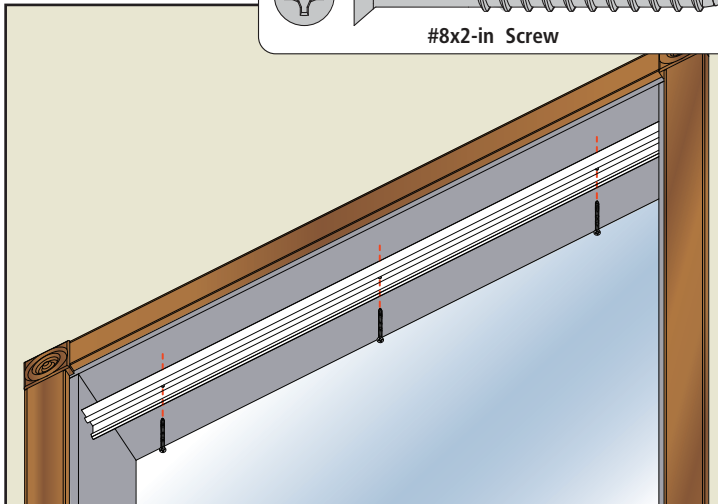
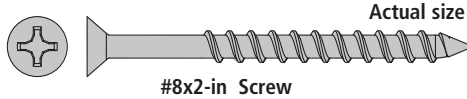
1a
Measure at least 1/4-in from the interior edge of the top jamb extension and mark with pencil on each side.



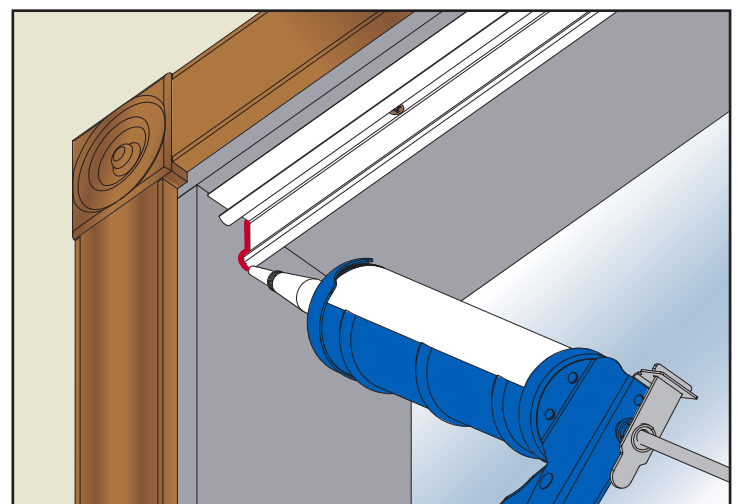
1b
Center the top channel in the opening with the front edge aligned on the marks from 1a. Mark three holes and pre-drill with a 1/8-in drill bit.



1c
Secure the top channel with the three #8x2-in screws provided, beginning with the side screws and installing the center screw last. **DO NOT OVERTIGHTEN.**



1d
To increase energy efficiency, seal both ends of the top channel with silicone.

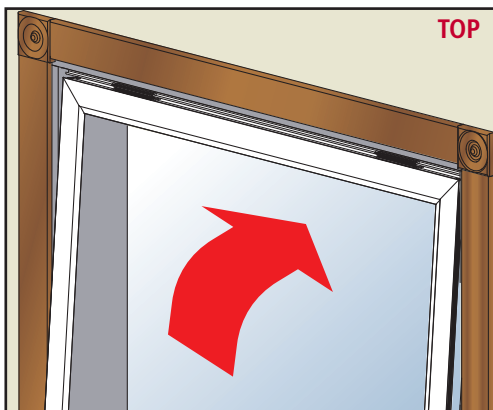


2

Install Corner Stops

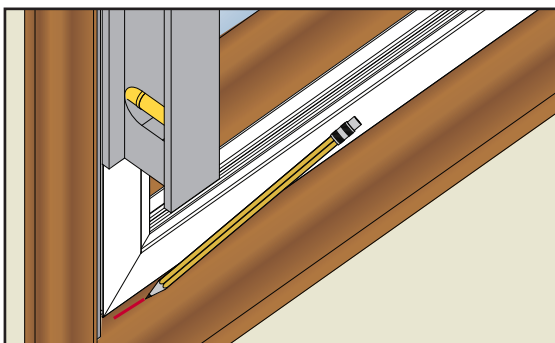
2a

Using the preinstalled hooks, hang the window on the top channel.



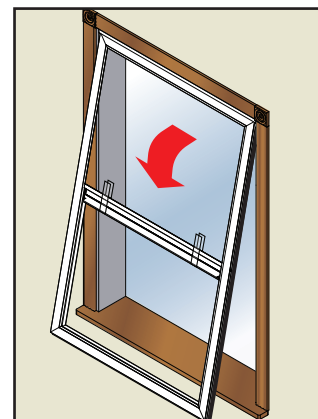
2b

Push bottom of the window unit into the opening. Use a level to ensure the unit is plumb. Use a pencil to draw a line near each corner, even with the interior surface of the window.



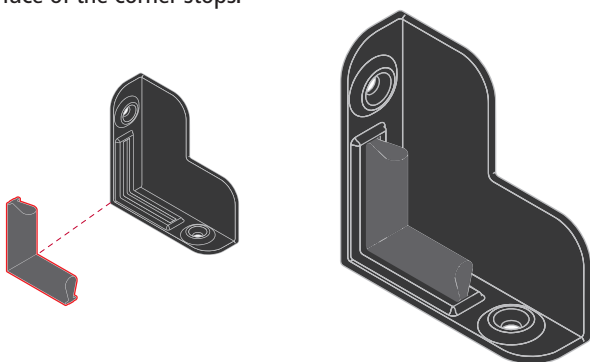
2c

Remove window from opening to install corner stops.



2d

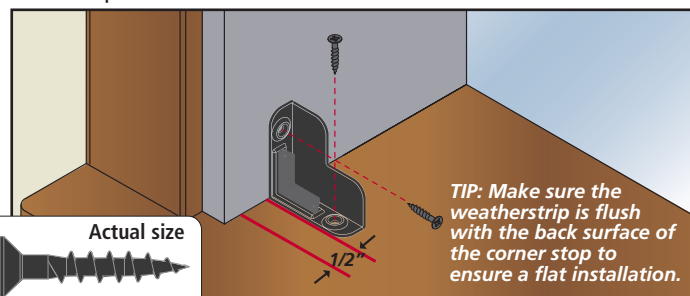
Insert the pre-cut weatherstrip sections into the slots on the back surface of the corner stops.



2e

Draw a second line 1/2" toward the exterior of the line drawn in Step 2b. Line up the front edge of the corner stop with the second pencil line.

Fasten the corner stop in place using the #6x1-in screws, starting with the bottom screw and then installing the side screw. Repeat for other corner stop.



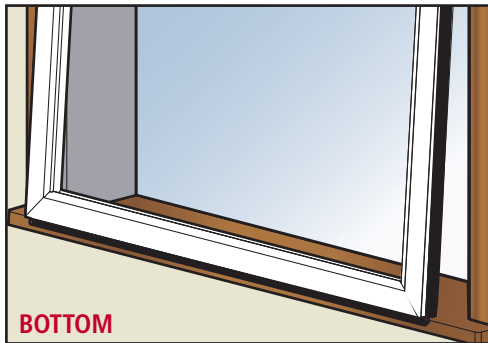
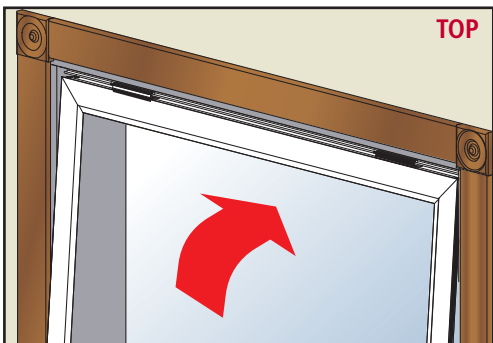
TIP: Make sure the weatherstrip is flush with the back surface of the corner stop to ensure a flat installation.

3

Complete Installation

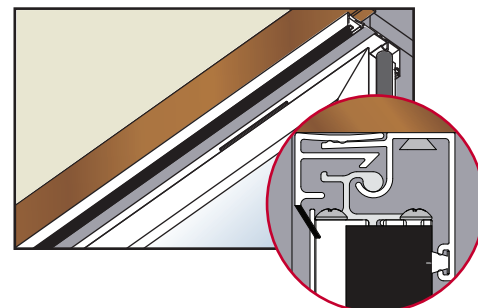
3a

Using preinstalled hooks, re-hang the window on the top channel. Do not push the bottom of the window into the opening yet.



3b

Install channel cover. Starting from one end, keep pushing until you hear a "click". Continue to push along the length of the channel cover until completely installed.



3c

Remove tape from window sash and push bottom of the window into place. Test sash operation.

IMPORTANT: To properly secure the window, the channel cover must be installed between the channel and the window opening, NOT within the pocket of the top channel. Failure to install in the correct position could result in the unit falling out of the opening.