

Features

- With hanger.
- With overflow.
- Drilled for concealed arm carrier.
- Single-hole faucet drilling.
- Soap dispenser hole on right.
- 21-15/16" (557 mm) x 19-3/4" (502 mm).

Material

- Vitreous china.

Installation

- Wall-mount

Optional Accessories

- K-1998 Shroud
- K-8998 P-Trap

Components

- Additional included component/s: Hanger (2 required).



ADA CSA B651 OBC

Codes/Standards





ASME A112.19.2/CSA B45.1
ADA
ICC/ANSI A117.1
CSA B651
OBC

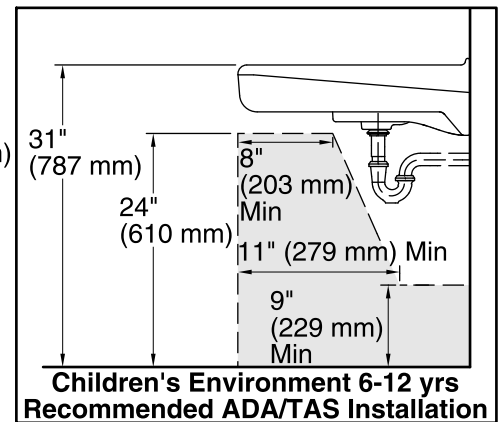
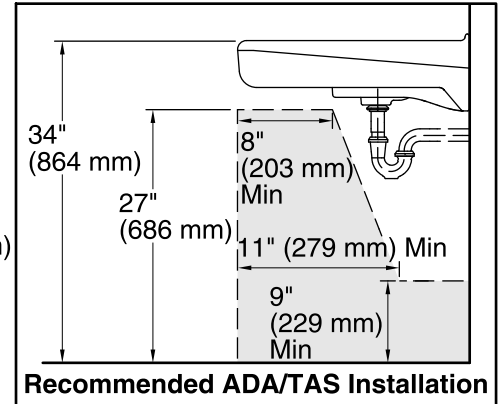
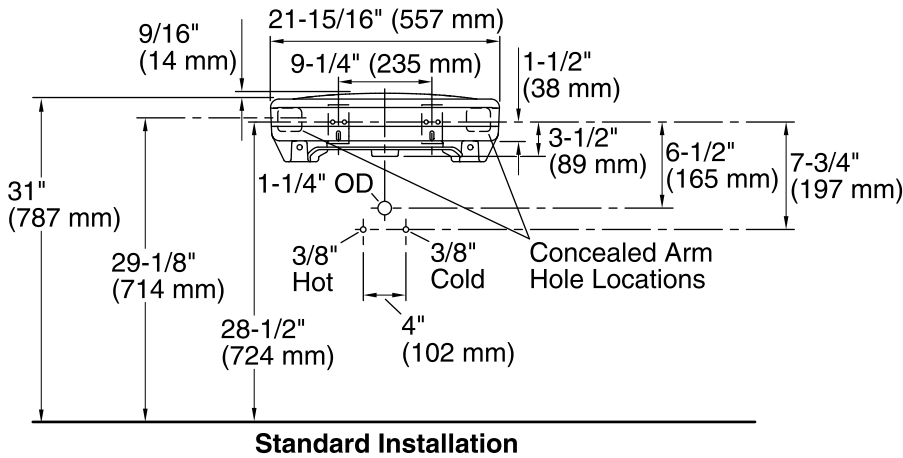
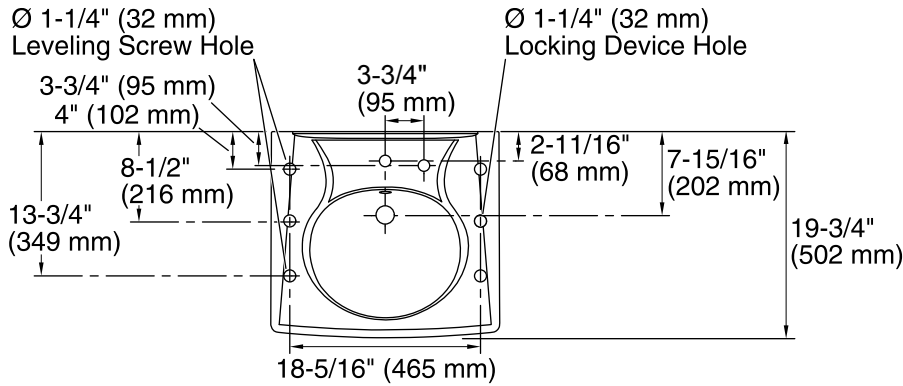
KOHLER® One-Year Limited Warranty

See website for detailed warranty information.

Available Color/Finishes

Color tiles intended for reference only.

Color	Code	Description
	0	White
	96	Biscuit
	47	Almond
	7	Black Black™



Technical Information

All product dimensions are nominal.

Bowl configuration:	Single
Installation:	Wall-mount
Bowl area (Only)	Length: 14-3/8" (365 mm) Width: 12-5/16" (313 mm) With overflow: Yes Water depth: 3-1/4" (83 mm)
Number of deck holes:	2
Faucet hole(s):	1-3/8" (35 mm)
Soap/Lotion hole:	1-1/4" (32 mm)
Drain hole:	1-3/4" (44 mm)

Notes

Install this product according to the installation instructions.

ADA, OBC, CSA B651 compliant when installed to the specific requirements of these regulations.