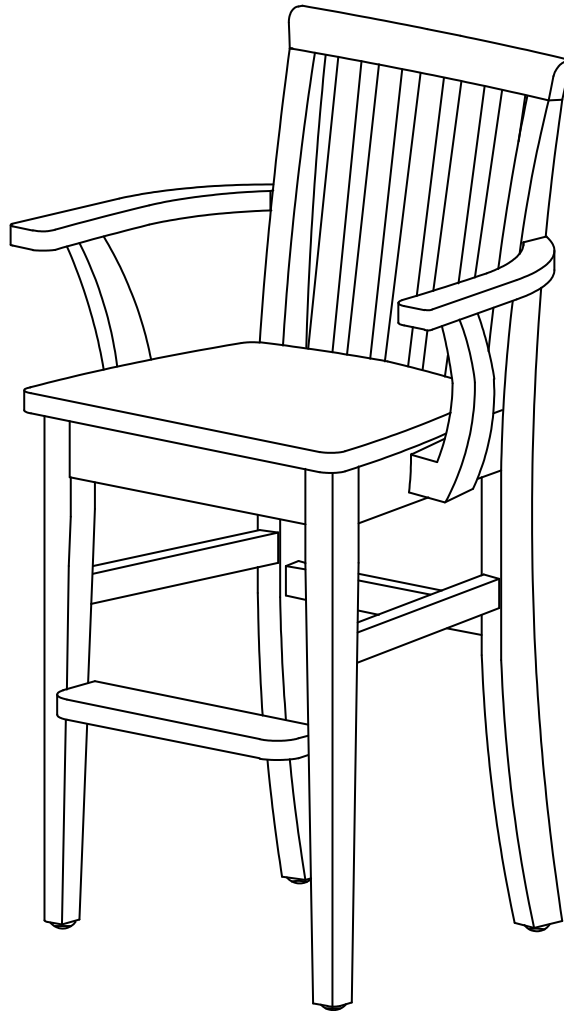


ASSEMBLY INSTRUCTIONS



Description : JUVENILE MISSION CHAIR
Item No. : CC-265

BEFORE ASSEMBLY

Thank you for purchasing this quality product. This product has been designed for easy assembly and constructed for durability. All parts were checked prior to packaging to insure quality. Prior to beginning assembly, however, make sure all parts and hardware are included and free of obvious defect. If a part is missing or defective, please contact the store where purchased. If hardware is missing, or you need help with assembly, please call toll free 888-944-8396.

IMPORTANT NOTE:

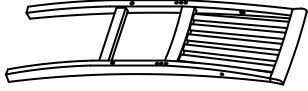
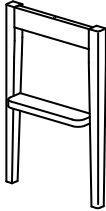

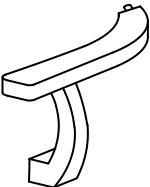
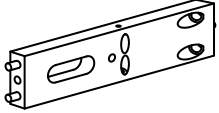
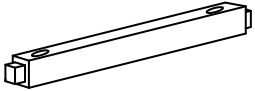
- Place all wooden parts on a clean and smooth surface such as a rug or carpet to avoid the parts from being scratched.
- Remove all wrapping material, including staples & packing straps before you start to assemble.
- DO NOT tighten all screws and bolts until completely assembled.
- Keep all hardware parts out of reach of children.

ASSEMBLY TOOLS REQUIRED NOT INCLUDED





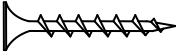
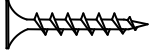




PART LIST

When unpacking, please be careful not to discard any parts with the packaging. Before continuing, please make sure you have the following parts:

NO	Description	Qty	Sketch	NO	Description	Qty	Sketch
A	Back	1		B	Front leg frame	1	
C	Seat	1		D	Arm (L-R)	2	
E	Side Apron (L-R)	2		F	Side stretcher (L-R)	2	

HARDWARE LIST

When unpacking, please be careful not to discard any parts with the packaging. Before continuing, please make sure you have all of the following hardware:

NO	Description	Qty	Sketch	NO	Description	Qty	Sketch
1	Long Bolt (M6 x 50mm)	2		2	Short Bolt (M6 x 40mm)	6	
3	Long Screw (M4 x 40mm)	2		4	Short Screw (M4 x 35mm)	7	
5	Lock Washer (φ6.5 x 11mm)	6		6	Flat Washer (φ6.5 x 14mm)	6	
7	Curve Washer (6.5 x 12 x 16mm)	2		8	Allen Key (M4 x 30mm x 110mm)	1	

ITEM NO.: CC-265
REVISED MAR 14, 2018

Printed in Vietnam

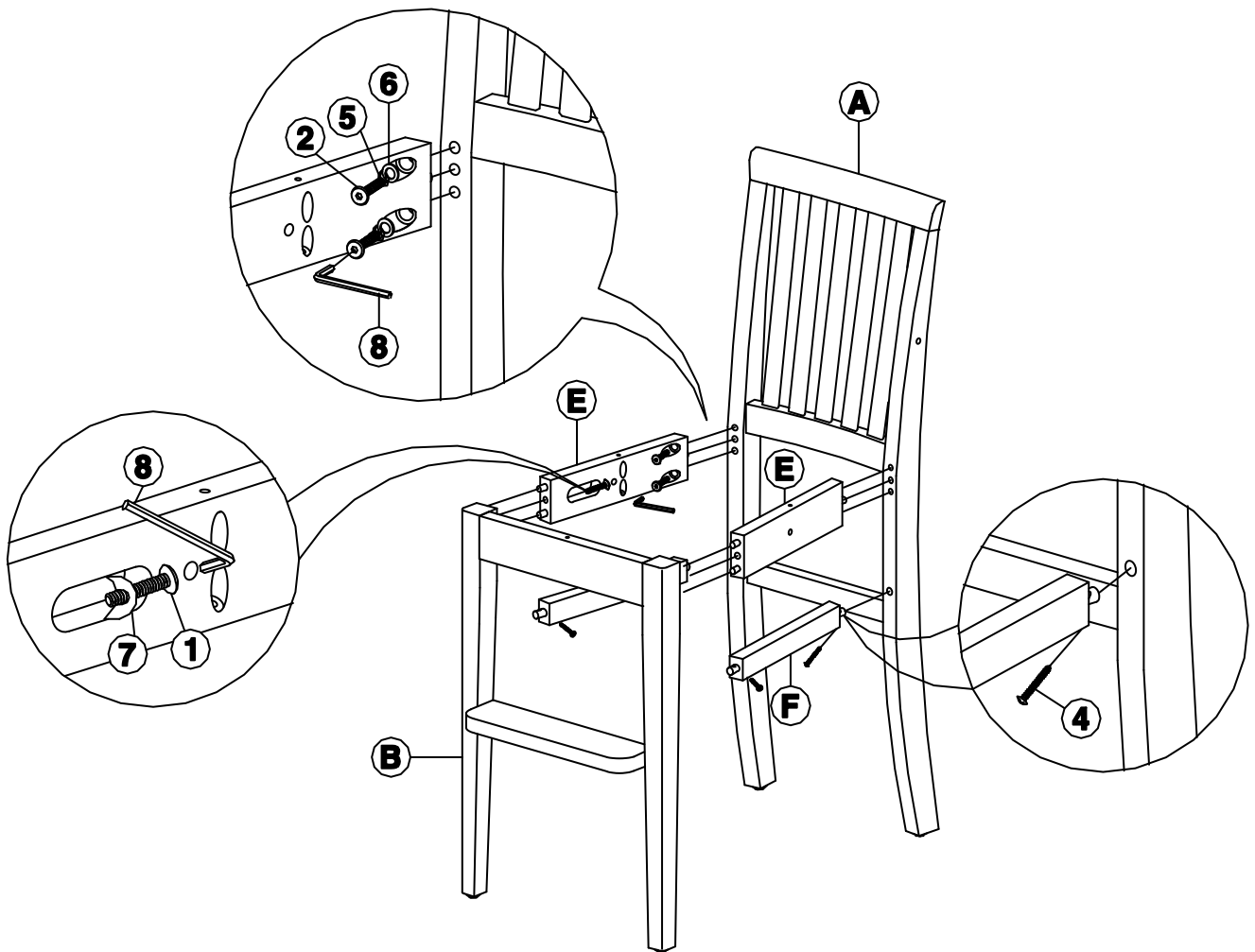
STEP 1

Attach side aprons (E) to front leg frame (B) with bolts (1) and washers (7) as shown below. Tighten with Allen Key (8).

Attach side aprons (E) to back (A) with bolts (2), and washers (5), and (6) as shown below. Tighten with Allen key (8).

Attach side stretchers (F) to front and back legs with screws (4) as shown below. Tighten with a screwdriver.

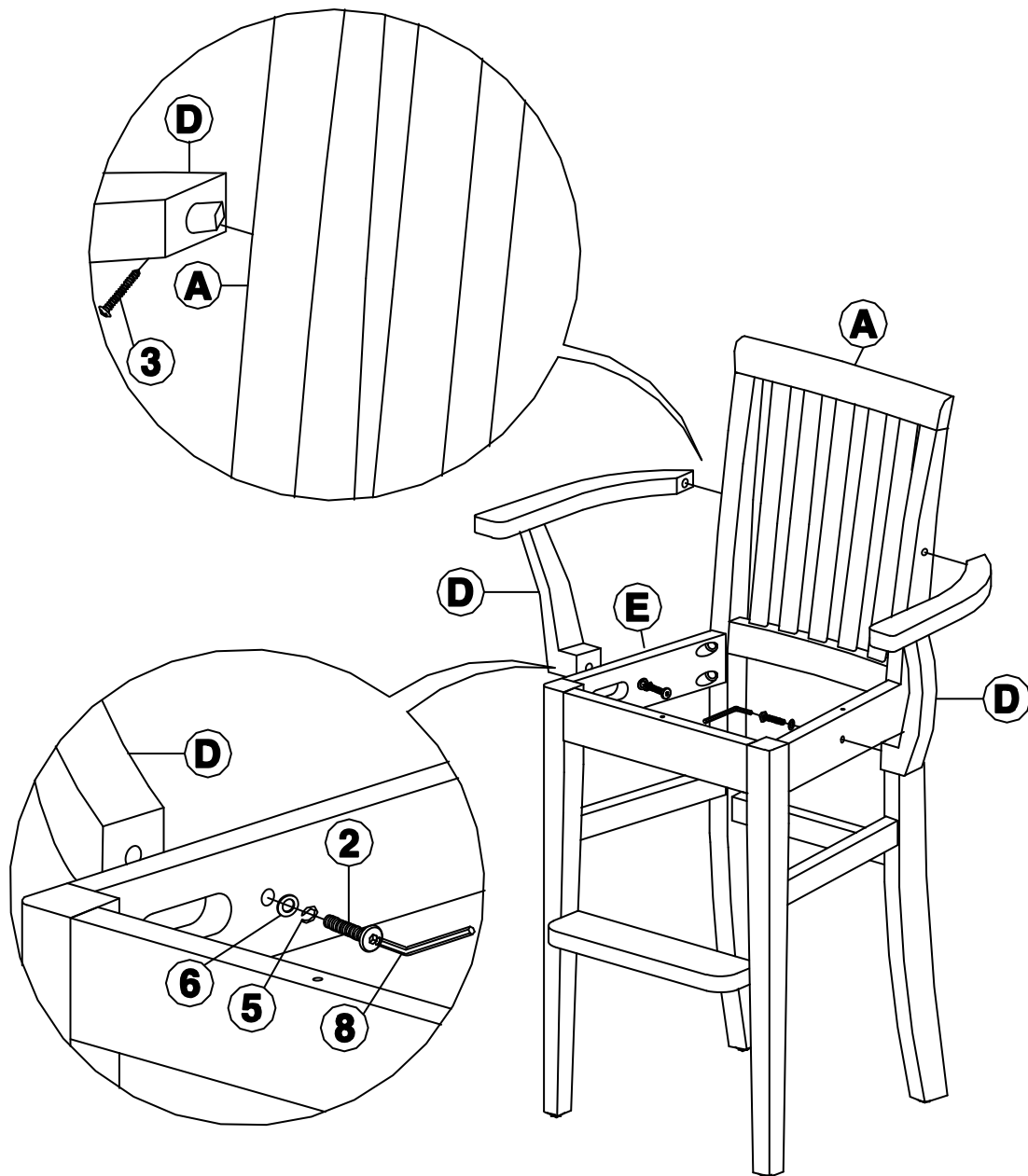
Note: DO NOT tighten any of the bolts, until the chair is assembled, then put on a flat level surface to make sure the chair is level and then tighten the bolts.



STEP 2

Attach arm frames (D) to side aprons (E) with bolts (2), and washers (5) and (6) as shown below. Tighten with Allen key (8).

Attach arm frames (D) to back (A) with screws (3) as shown below. Tighten with a screwdriver.



STEP 3

Attach seat (C) to top of the seat frame with screws (4) as shown below. Tighten with a screwdriver.

