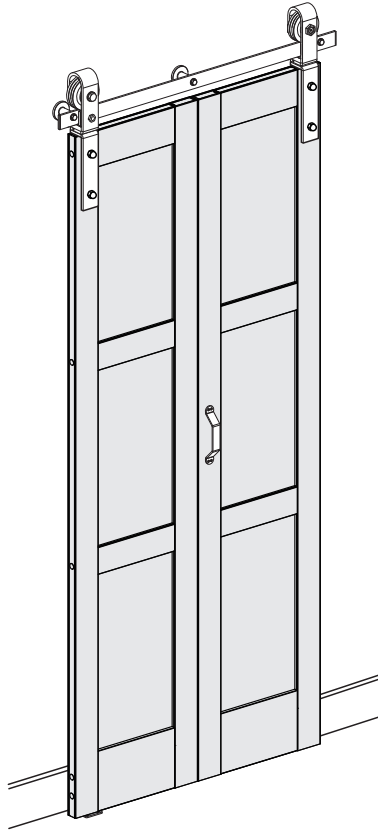


Installation Manual

Any question please contact us
Fredbeck_Amy@outlook.com

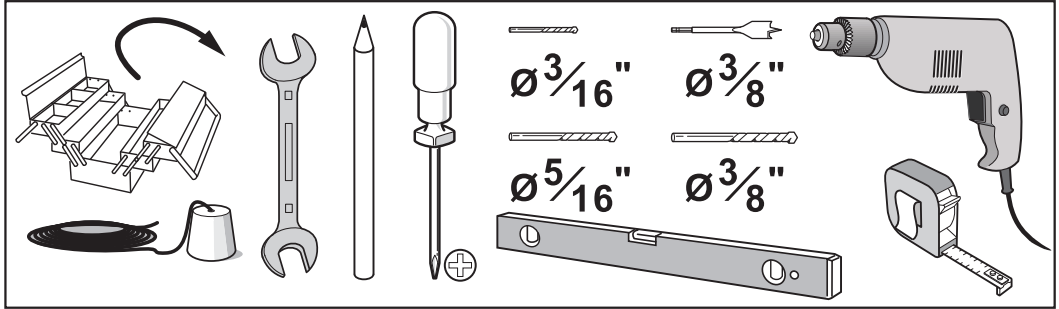


NOTICE Please retain these instructions for future reference.

- Do not stand on or use any part of this item as a step ladder.
- Firmly secure all bolts, screws and knobs before use.
- Reconfirm that all bolts, screws and knobs are secure every 90 days.
- Fasten screws loosely during initial assembly. Do not firmly tighten the screws until the item is completely assembled.
- Do not use or store this item in the proximity of open flame or combustible chemicals.
- Be aware that some parts are heavy and have sharp edges.
- If any parts are missing, broken, damaged, or worn, please contact us for assistance.
- Do not use this item in a way inconsistent with the manufacturer's instructions as this could void the product warranty.

Pre-installation

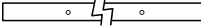




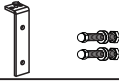
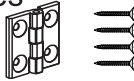
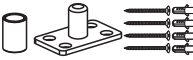
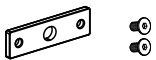
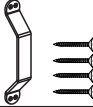

TOOLS REQUIRED



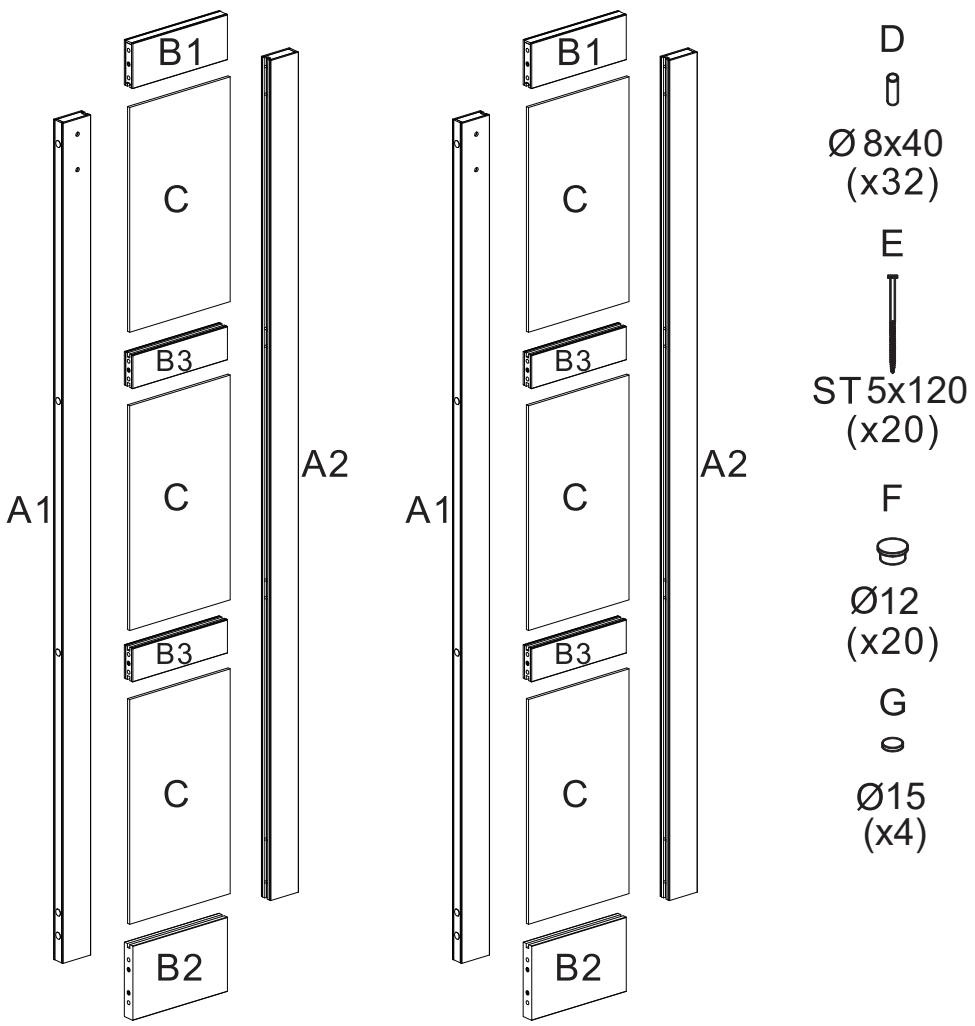
HARDWARE INCLUDED

<p>1</p>	<p>2</p> <p>$\text{Ø}10$ ST8x110</p>	<p>3</p>
<p>4</p> <p>M5x26</p>	<p>5</p> <p>M5x6</p>	<p>6</p> <p>M10x55</p>
<p>7</p> <p>ST6x25</p>	<p>8</p> <p>$\text{Ø}8$ ST4.2x32</p>	<p>9</p> <p>M6x5</p>
<p>10</p> <p>ST4.2x25</p>	<p>11</p>	<p>12</p> <p>2MM 2.5MM 3MM 4MM</p>

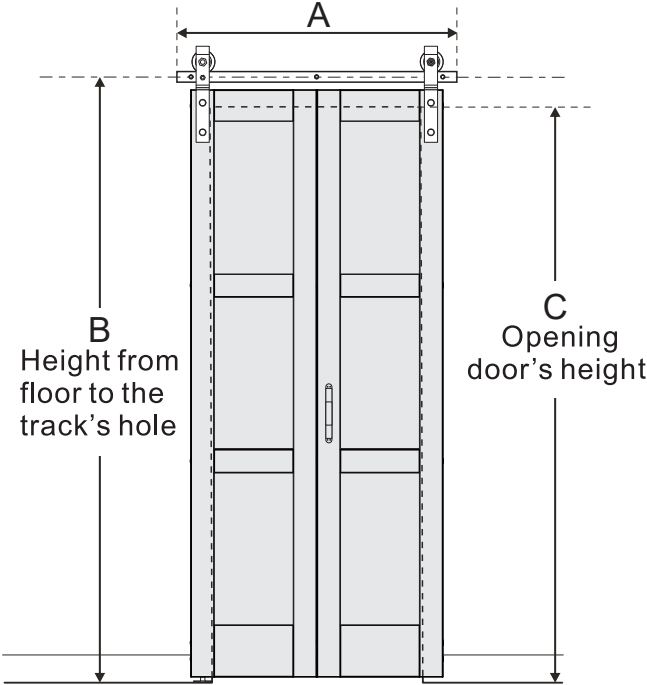
PARTS LIST

Door size	2x12"	2x14"	2x15"	2x16"	2x18"	2x21"	2x24"	4x12"	4x14"	4x15"	4x18"
1.Track Size 	28"	32"	34"	36"	40"	46"	52"	28" x2	32" x2	34" x2	40" x2
2.Spacer 	3	3	3	3	3	3	4	6	6	6	6
3.Movable Pulley and bolts 	1	1	1	1	1	1	1	2	2	2	2
4.Fixed Pulley and bolts 	1	1	1	1	1	1	1	2	2	2	2
5.Fixator 	1	1	1	1	1	1	1	2	2	2	2
6.Pulley base 	2	2	2	2	2	2	2	4	4	4	4
7.Hinges 	3	3	3	3	3	3	3	6	6	6	6
8.Floor guide 	1	1	1	1	1	1	1	2	2	2	2
9.Track connector 	1	1	1	1	1	1	1	2	2	2	2
10.Handle 	1	1	1	1	1	1	1	2	2	2	2
11.Seal 	1	1	1	1	1	1	1	2	2	2	2

PARTS			PARTS		
		QTY			QTY
A1	Left Side Stile	2	C	Middle Panel	6
A2	Right Side Stile	2	D	Corks	32
B1	Top Rail	2	E	Screws	20
B2	Bottom Rail	2	F	Plastic Plugs	20
B3	Middle Rail	4	G	Door Bumpers	4



Measurements



Door Options	Door Size	Opening Door Width	A Track Size	B Track Installation Height	C Door Opening Height
2 Doors	(12" * 84") * 2	≤22 "	28"	86"(2184mm)	≤84 "
	(14" * 84") * 2	≤26 "	32"	86"(2184mm)	≤84 "
	(15" * 84") * 2	≤28 "	34"	86"(2184mm)	≤84 "
	(16" * 84") * 2	≤30 "	36"	86"(2184mm)	≤84 "
	(18" * 84") * 2	≤34 "	40"	86"(2184mm)	≤84 "
	(21" * 84") * 2	≤40 "	46"	86"(2184mm)	≤84 "
	(24" * 84") * 2	≤46 "	52"	86"(2184mm)	≤84 "
	(18" * 96") * 2	≤34 "	40"	98"(2487mm)	≤96 "
	(24" * 96") * 2	≤46 "	52"	98"(2487mm)	≤96 "
4 Doors	(12" * 84") * 4	≤46 "	28" x2	86" (2184mm)	≤84 "
	(14" * 84") * 4	≤54 "	32" x2	86" (2184mm)	≤84 "
	(15" * 84") * 4	≤58 "	34" x2	86" (2184mm)	≤84 "
	(18" * 84") * 4	≤70 "	40" x2	86" (2184mm)	≤84 "

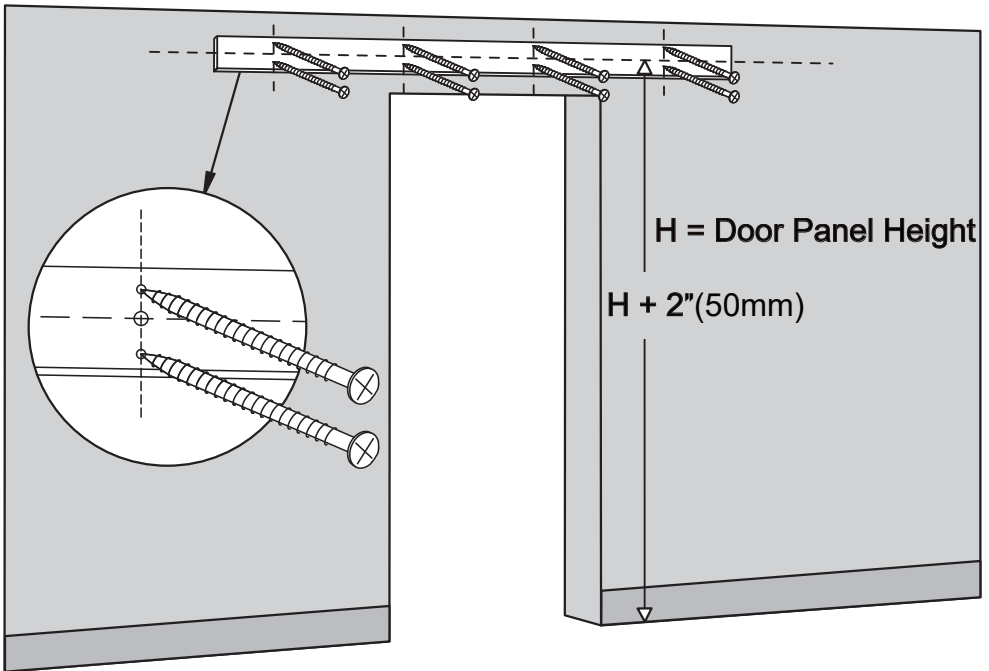
Installation suggestions

Sometimes there will be some issues when install the track such as a mismatch between studs and pre-drilled holes on the track.

To avoid that we recommend using a head board on all installation scenario.

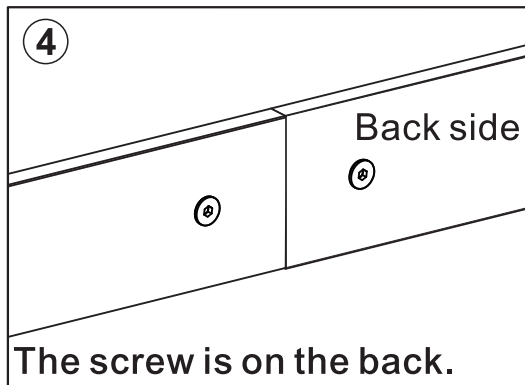
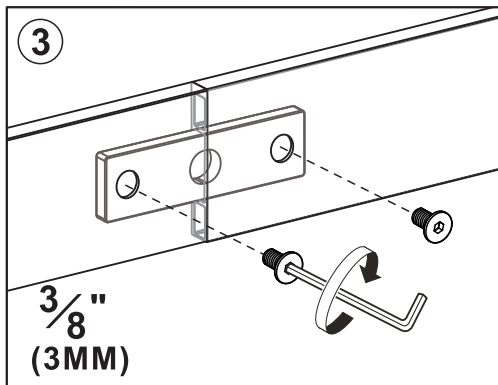
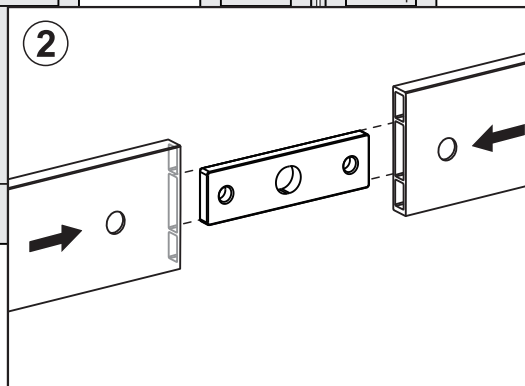
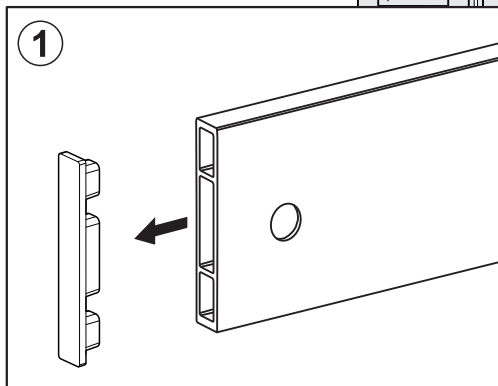
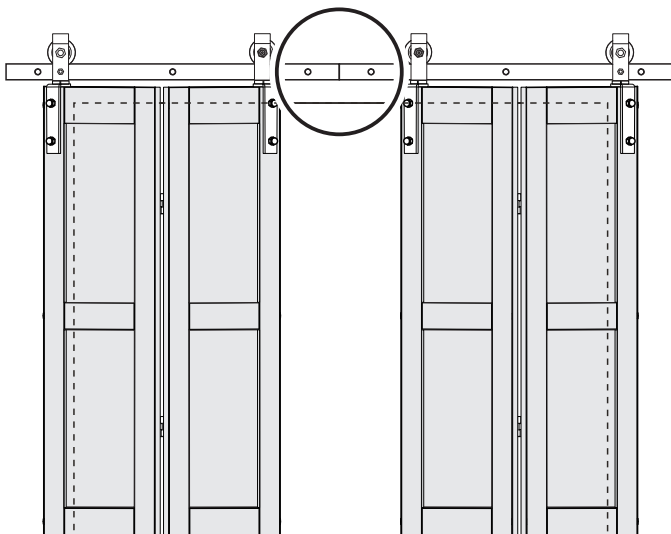
The size of the head board should better be 1"x4" or 1"x6" and a bit longer than the track.

***Please note that the head board and matched screws are not included.**



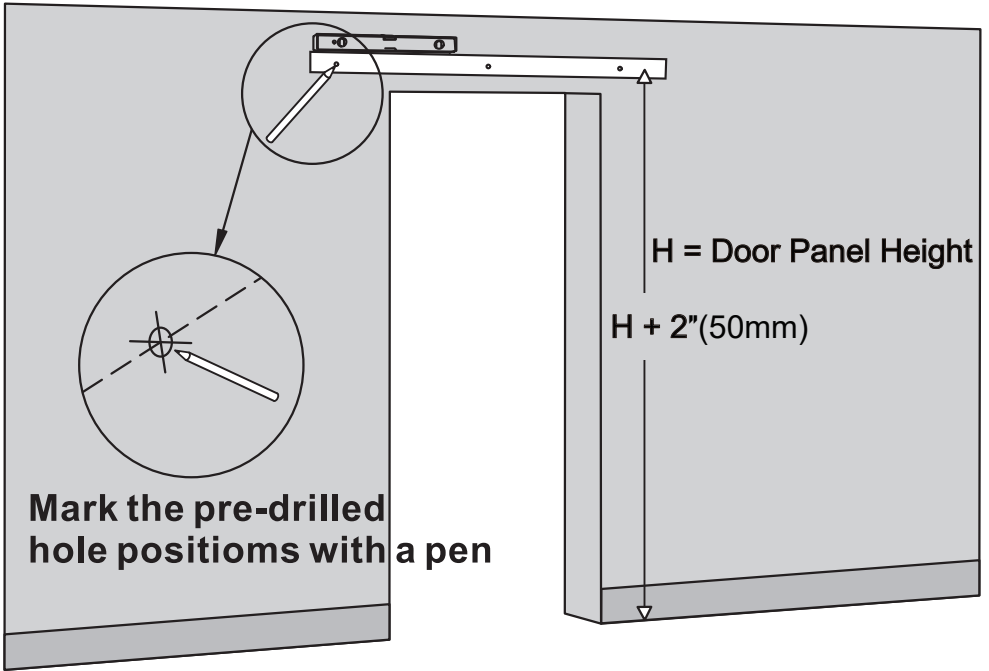
Only for 4 doors

If you have 2 sets. Please remove the plastic cover at the end of the track. Then connect the rails with connectors.



Step-1

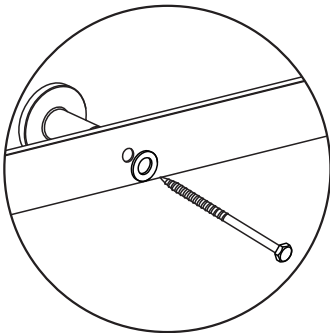
Position the track at the required height and pencil-mark the mounting holes to verify the installation location.



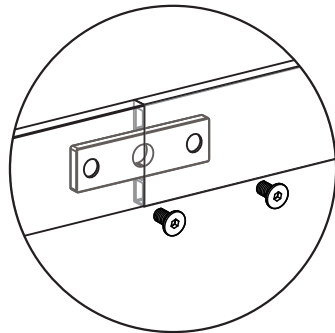
Track installation types

If the rail is too long, the whole rail will be combined with pieces.

One-piece Track



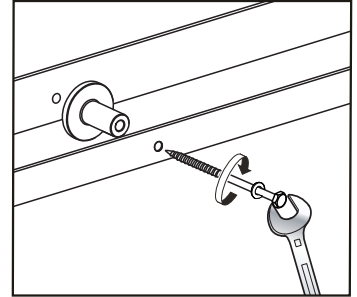
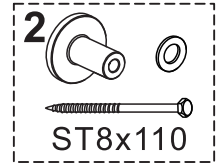
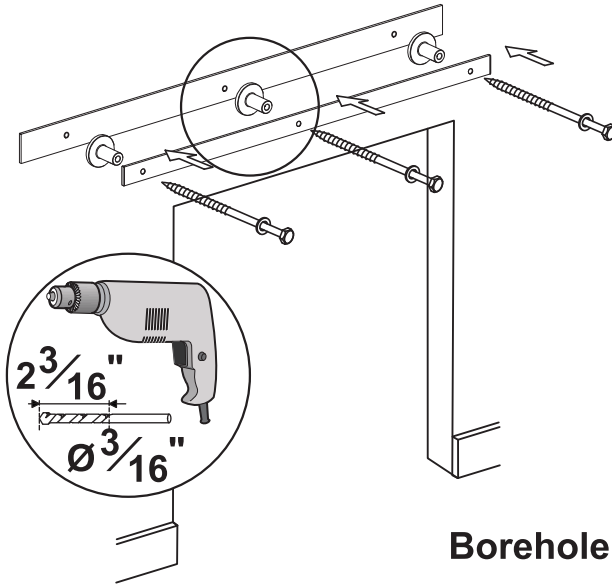
Connector connection



Step-2

① Drywall Installation

Install the lag bolt to wood stud or head board directly.

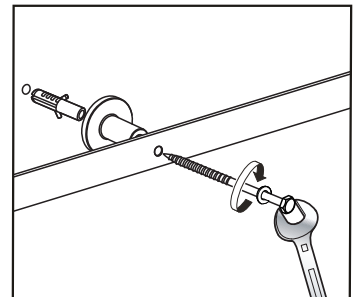
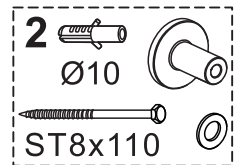
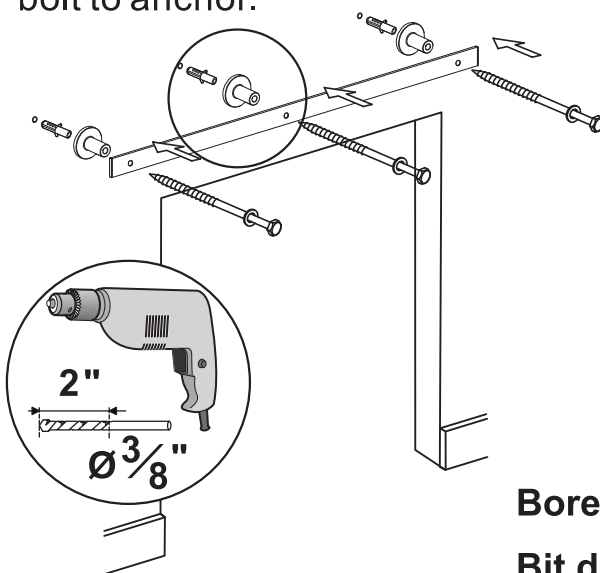


Borehole depth: $2\frac{3}{16}"$ (55MM)

Bit diameter: $\frac{3}{16}"$ (4.8MM)

② Concrete wall Installation

Install the anchor to holes on the wall first, then install lag bolt to anchor.

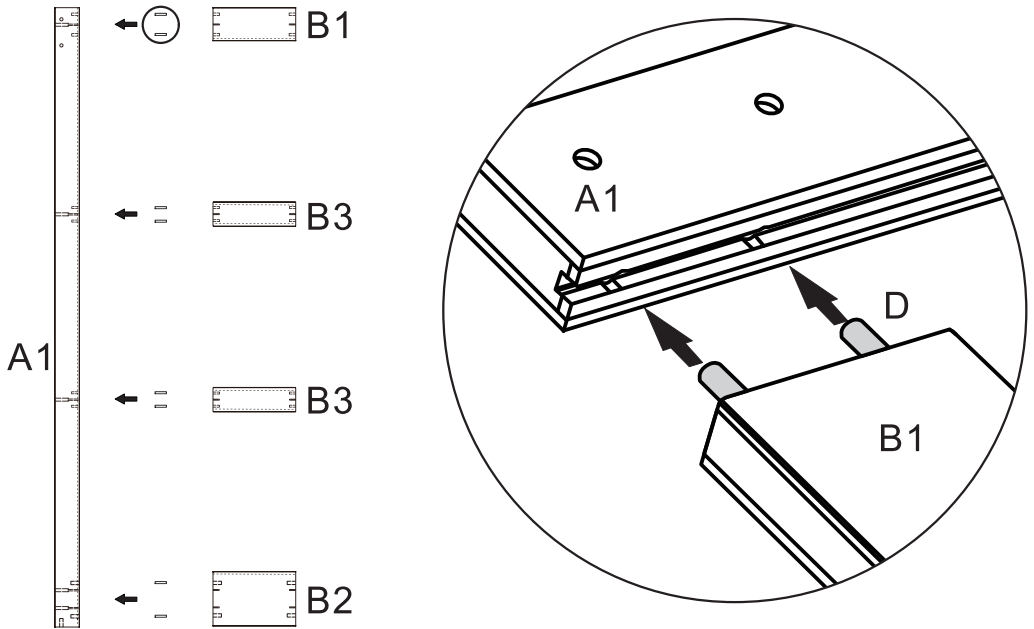


Borehole depth: $2"$ (50MM)

Bit diameter: $\frac{3}{8}"$ (10MM)

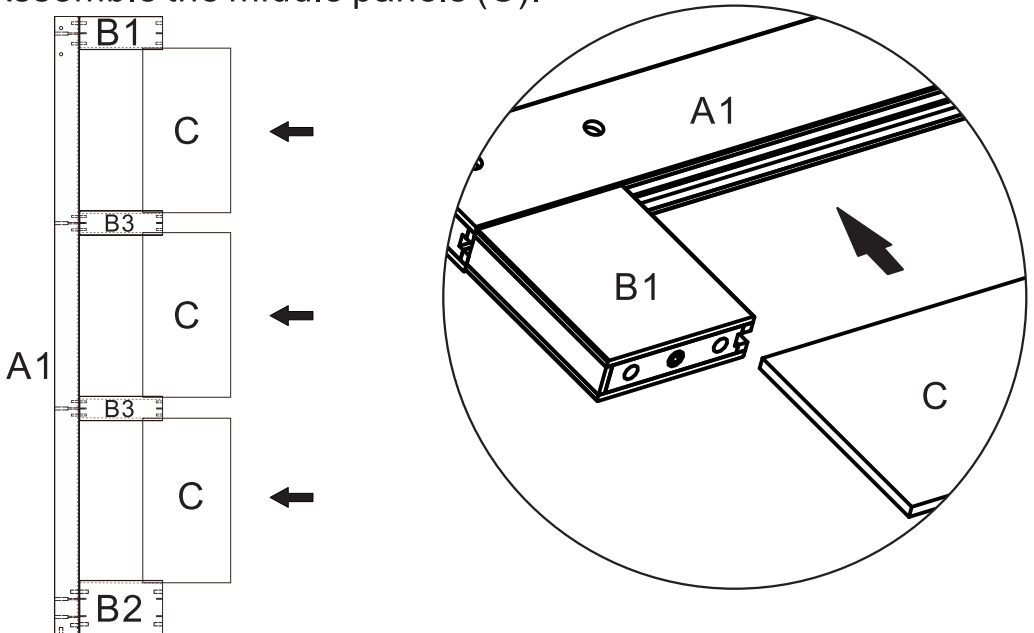
Step-3

On the flat, lay out one side stile (A1) with the groove facing to the right. Assemble top rail (B1), middle rail (B3) and bottom rail (B2) to A1 with corks (D).



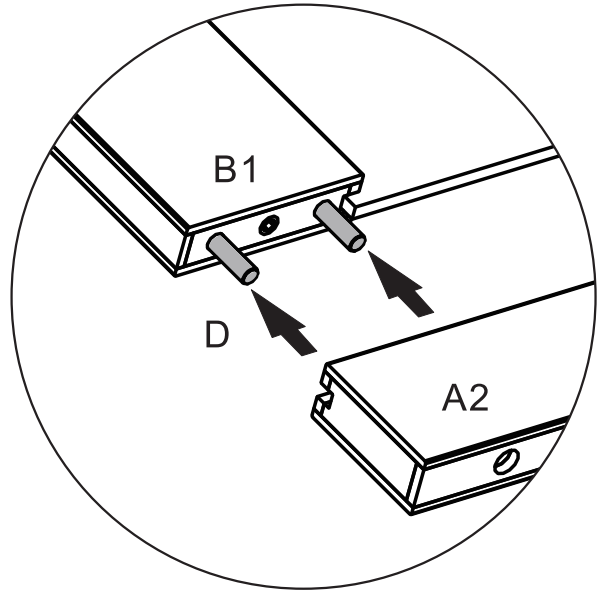
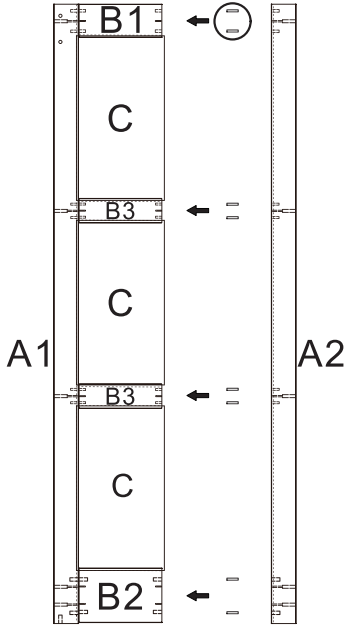
Step-4

Assemble the middle panels (C).



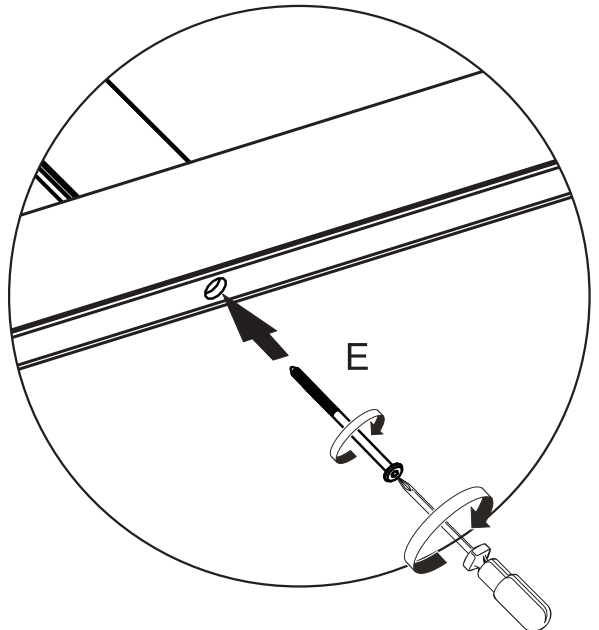
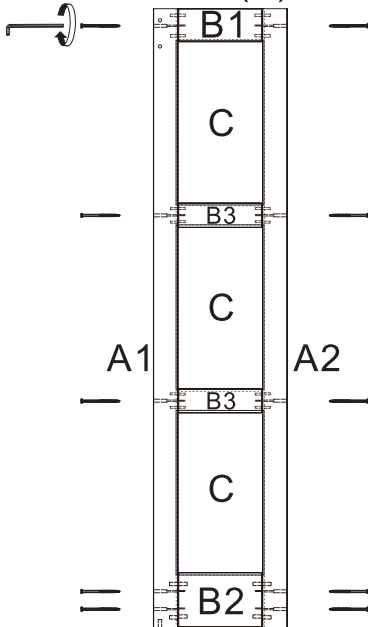
Step-5

Assemble the right side stile (A2) with corks (D) to cover the top and bottom rail and the edge of the slats assembled.



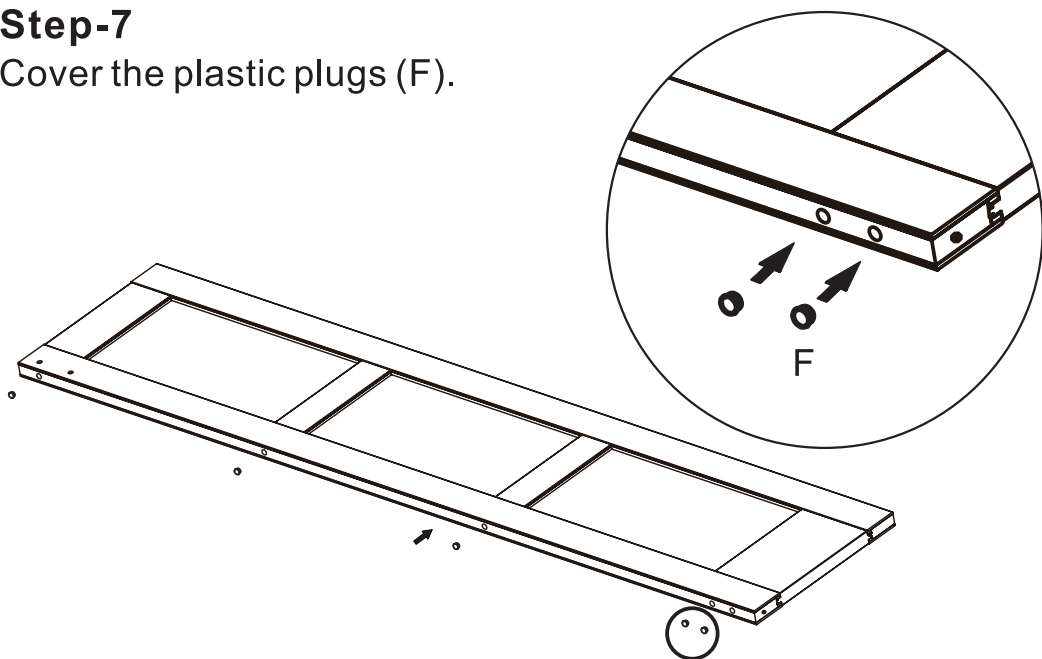
Step-6

Lock screws (E) to side stile (A1 and A2).



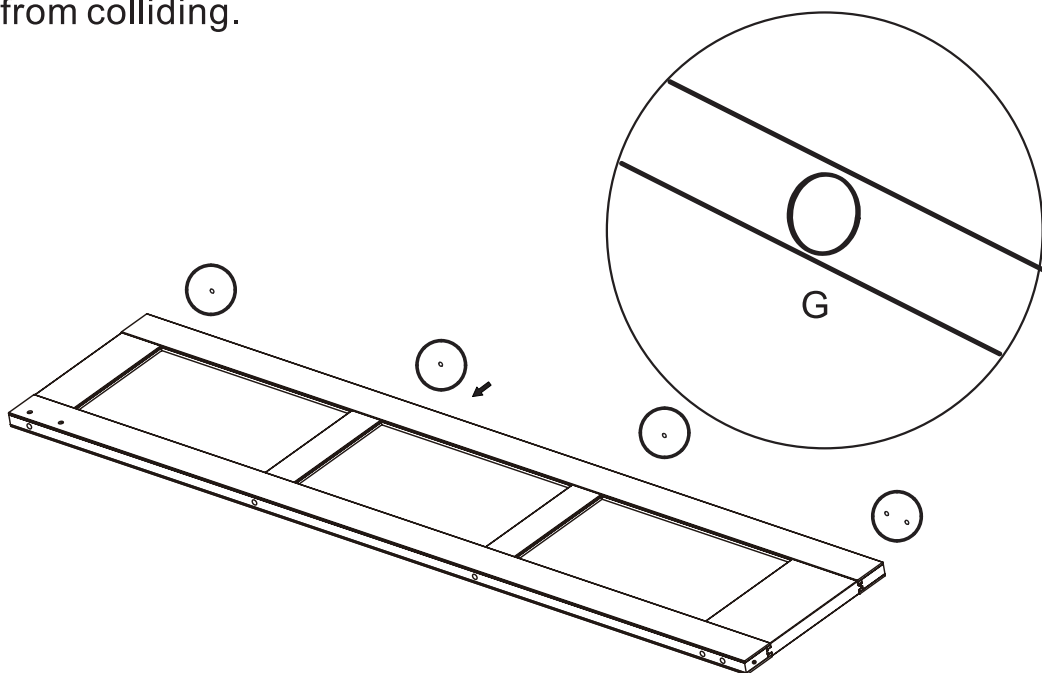
Step-7

Cover the plastic plugs (F).



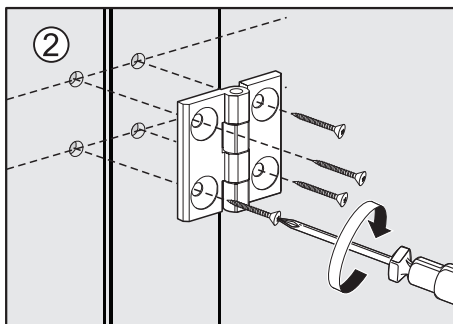
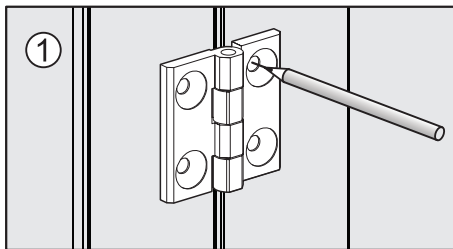
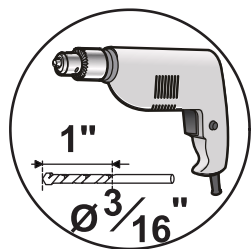
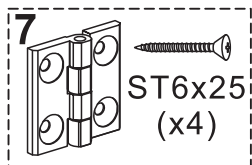
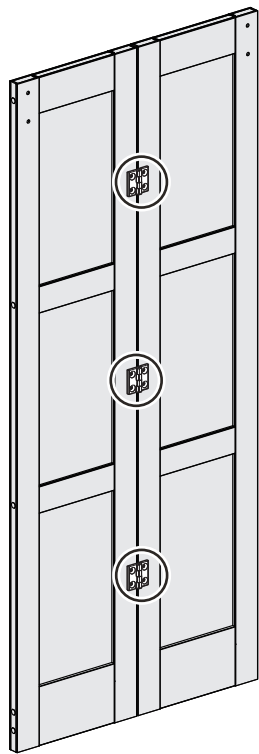
Step-8

Stick the door bumpers (option), which can prevent two doors from colliding.



Step-9

Install hinges.

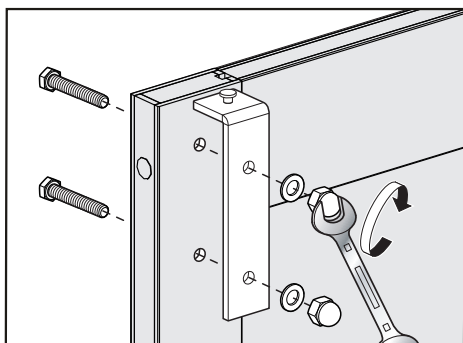
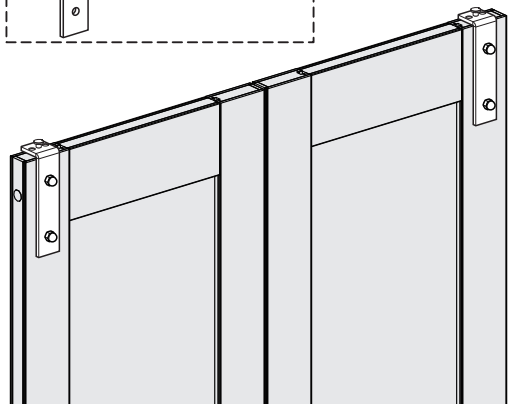
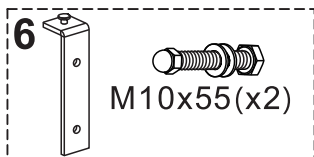


Borehole depth: 1" (25MM)

Bit diameter: 3/16" (4.8MM)

Step-10

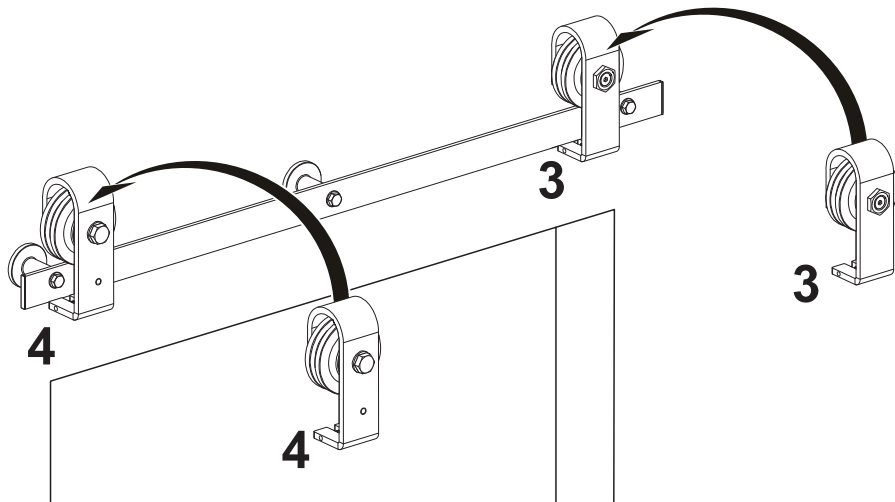
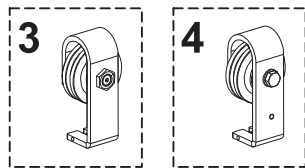
Install pulley base.



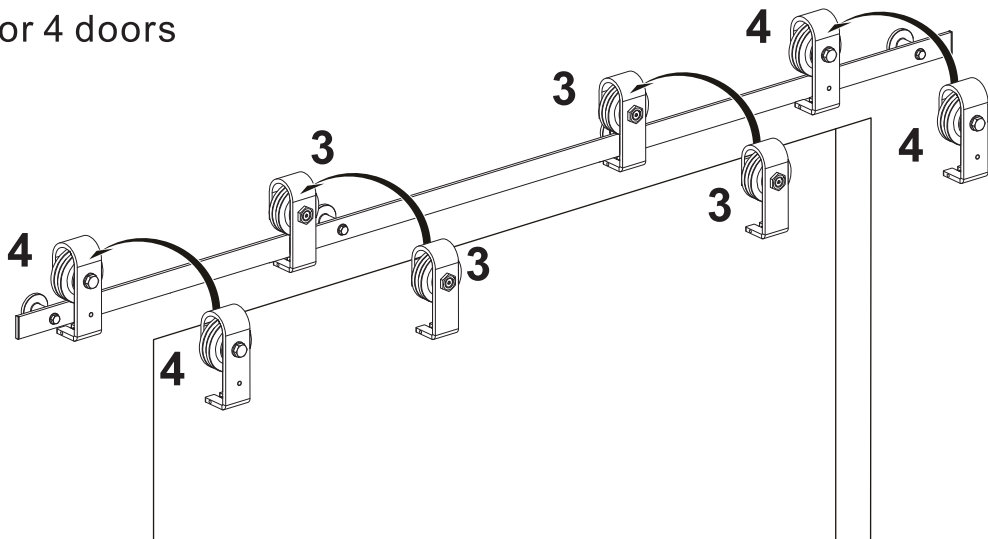
Step-11

Hang up pulley.

For 2 doors



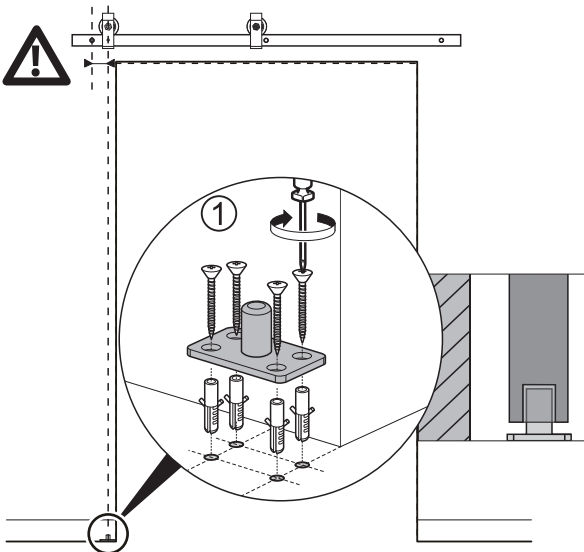
For 4 doors



Step-12

Install floor guide.

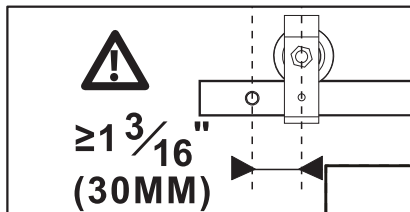
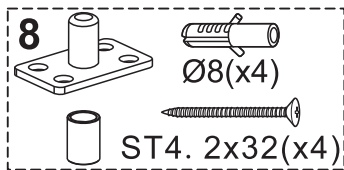
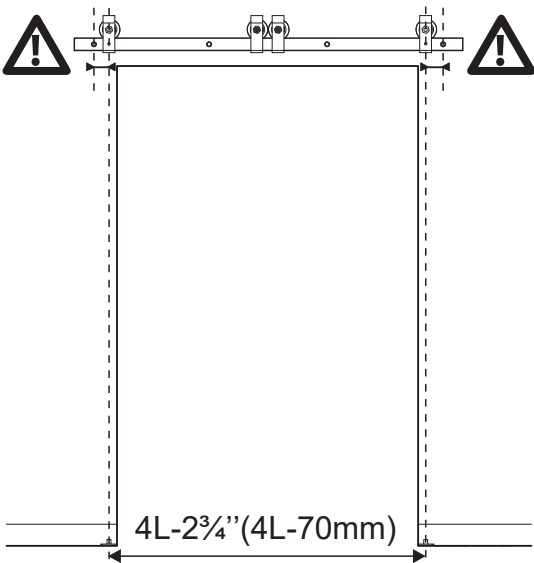
For 2 doors



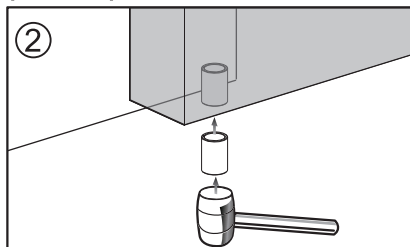
Borehole depth: $1\frac{3}{8}$ " (35MM)

Bit diameter: $\frac{5}{16}$ " (8MM)

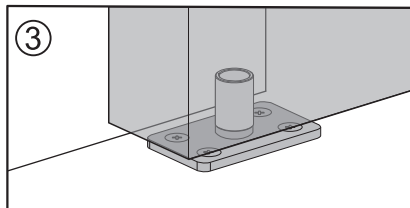
For 4 doors



Tip: The min. spacing from central position of fixed pulley 4 to spacer is $1\frac{3}{16}$ " (30MM).



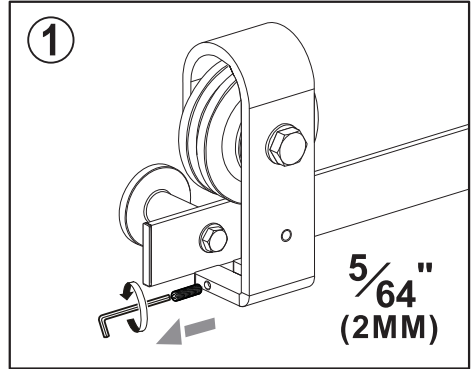
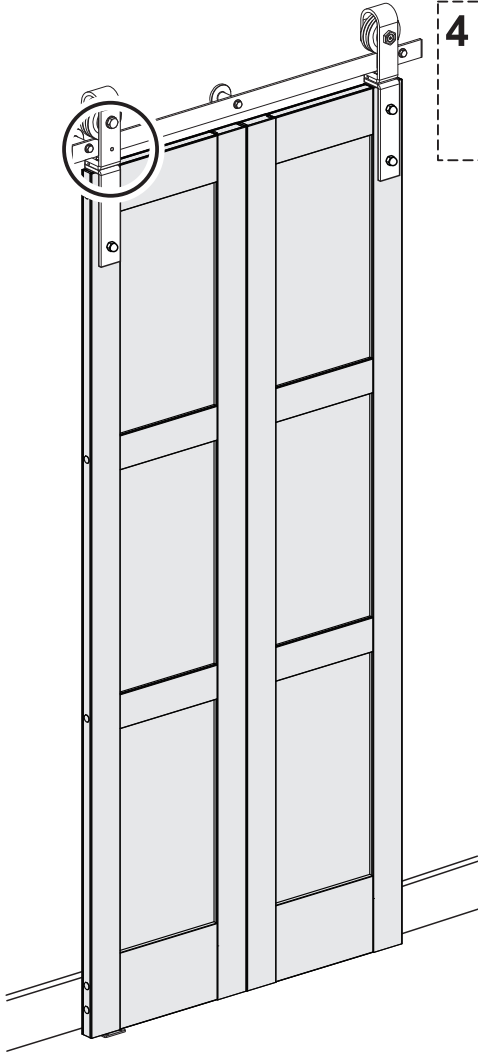
Insert the metallic sheath of floor guide to the bottom of door panel.



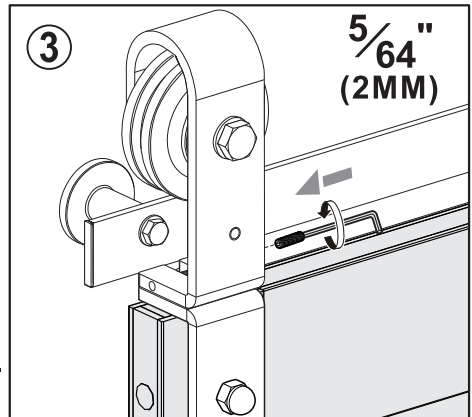
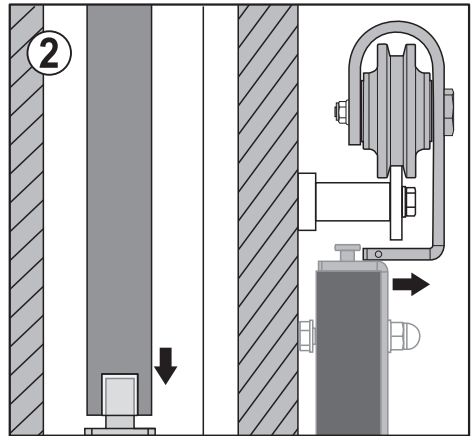
Assuming that the width of the door panel is L. the distance between the floor guides is $4L-2\frac{3}{4}$ " (4L-70mm)

Step-13

Install fixed pulley.



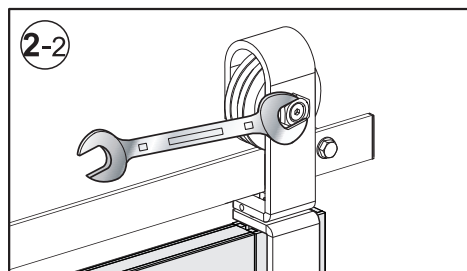
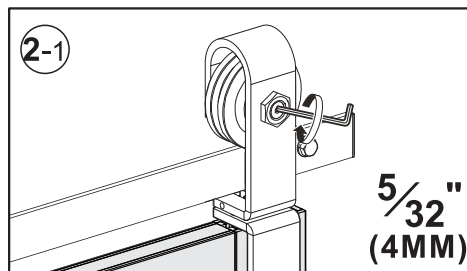
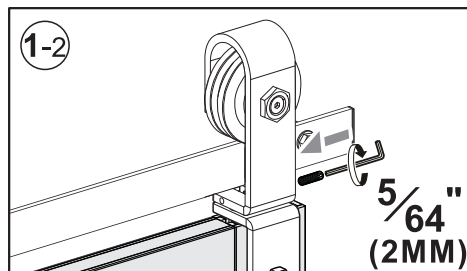
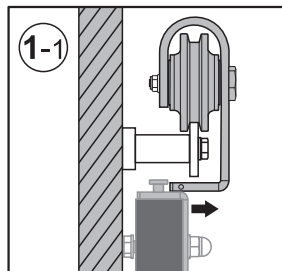
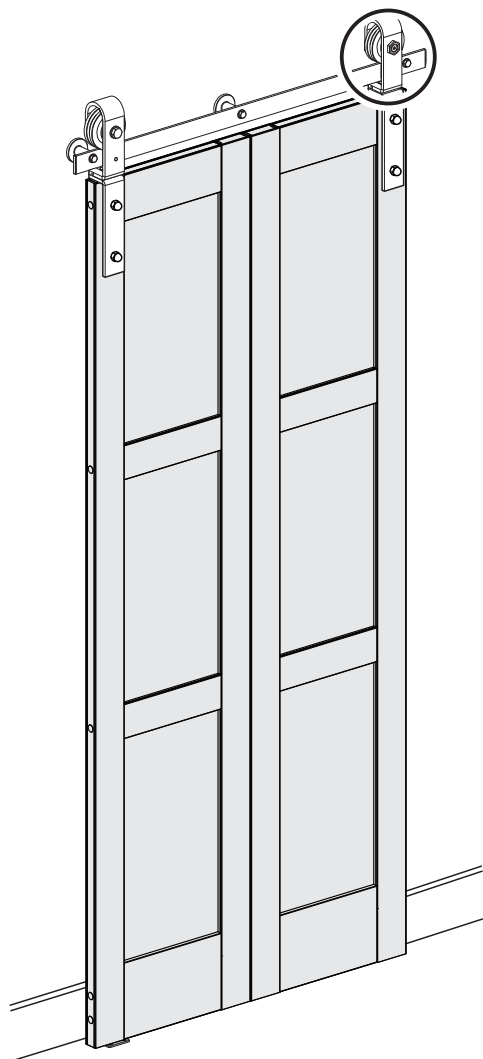
Unscrew the small screw at the bottom of hanging pulley to install the **base 4**.



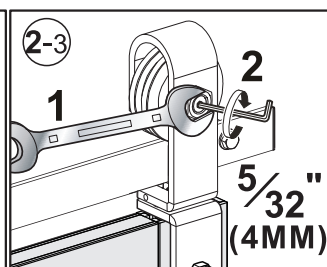
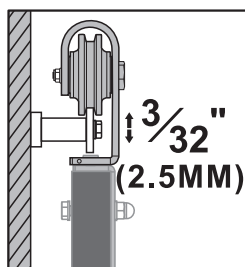
1. Unscrew the screw of pulley.
2. Please install the door to floor guide first.
3. Then install the door to the pulley.
4. Lock the screw back of pulley.

Step-14

Install movable pulley.

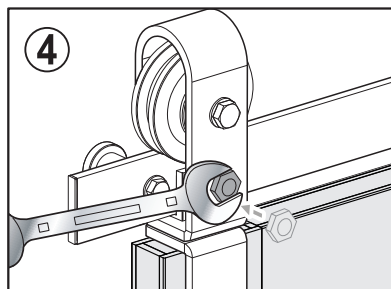
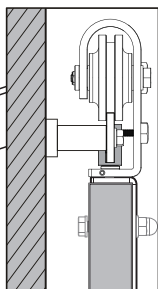
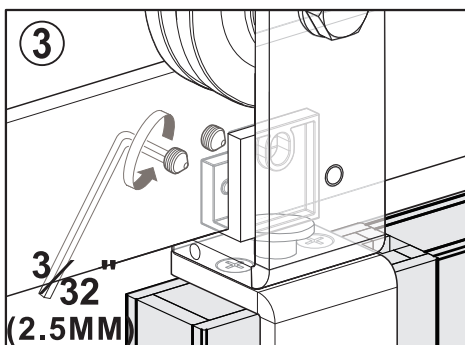
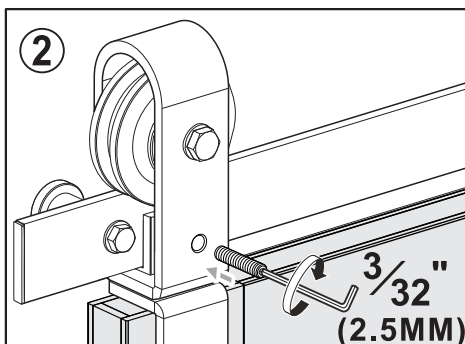
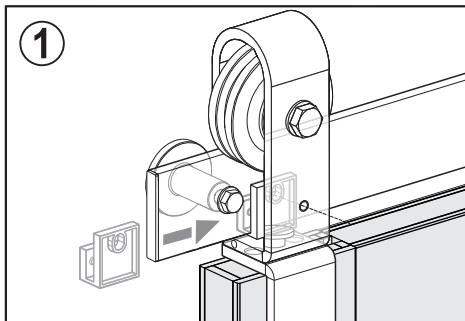
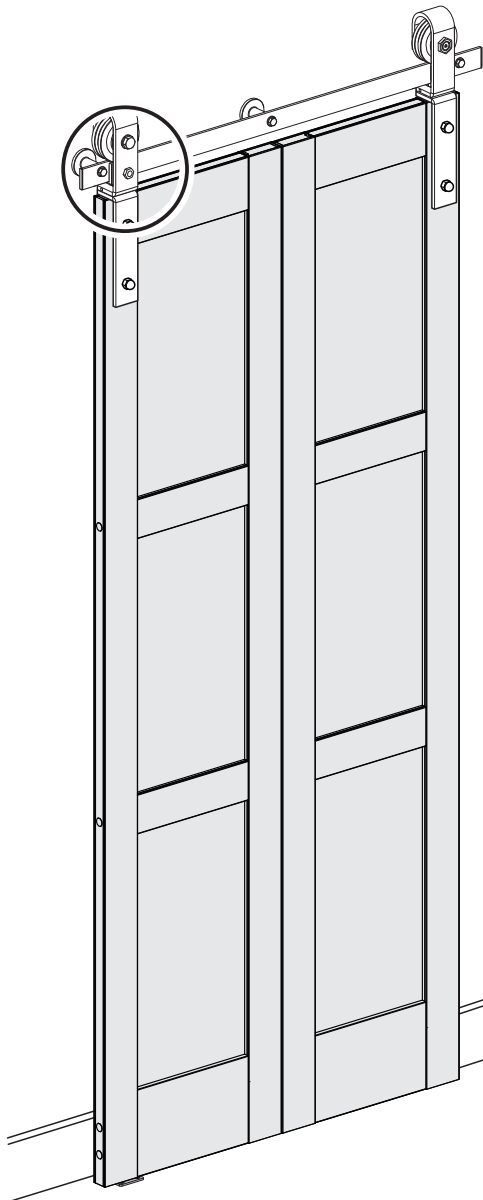
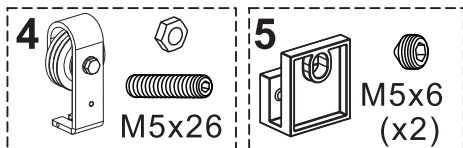


If the height of two doors are uneven, align them by adjusting the height of movable **pulley 3** by hexagon wrench and wrench. adjustment range: 3/32" (2.5MM)



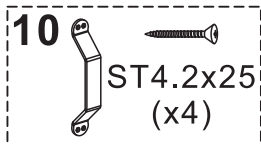
Step-15

Install the fixator 5 of hanging pulley 4.

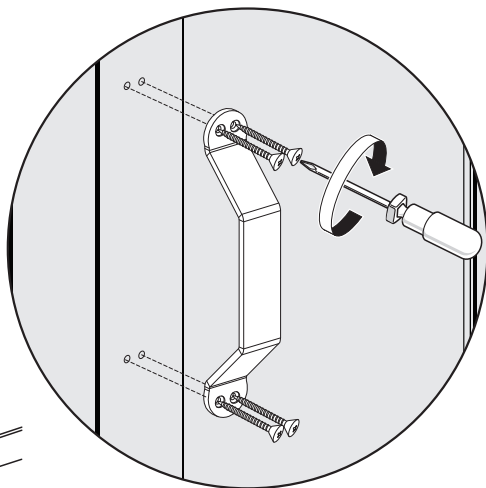
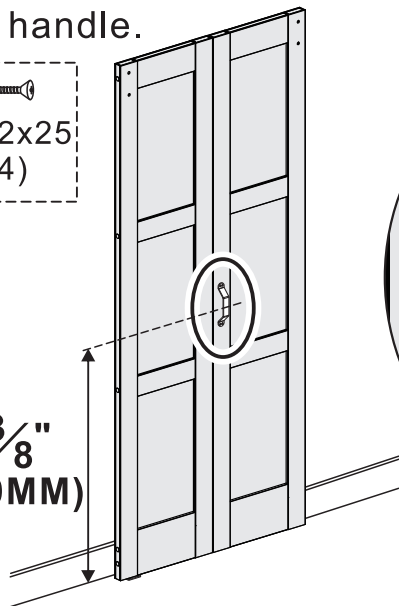


Step-16

Install the handle.

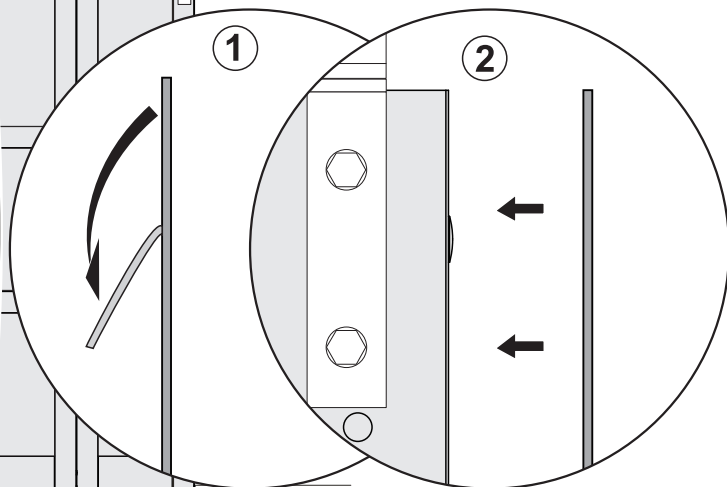
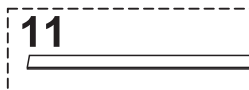
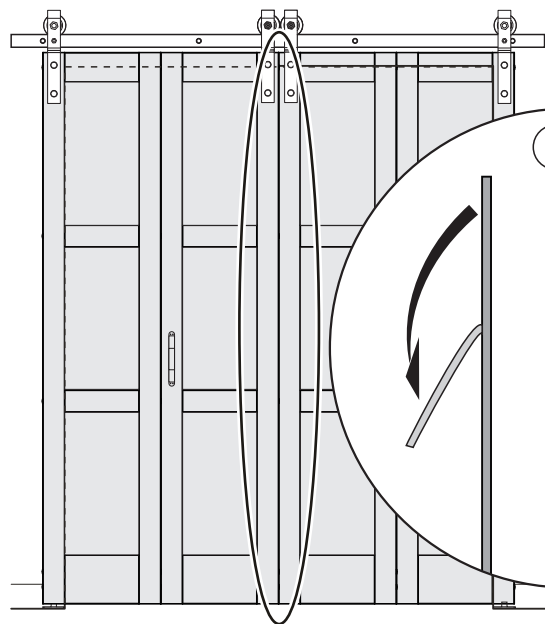


$39\frac{3}{8}$ "
(1000MM)



Step-17

Stick a seal, if you have 4 doors.



Tear double-sided adhesive tape apart, then stick the seal.