

# ASSEMBLY INSTRUCTIONS



## CAUTION

◆ Inspect the wire insulation for any cuts, abrasions, or exposed copper that may have resulted during shipping. If there is a defect in the wire, do not attempt installation.

◆ Before starting installation of this fixture or removal of a previous fixture, disconnect the power by turning off the circuit breaker or by removing the fuse at the fuse box.

✉ If you need further assistance, please contact us by Email: [customersupport@superiordecorinc.com](mailto:customersupport@superiordecorinc.com)

## TOOLS REQUIRED



Ladder



Safety glasses



Electrical tape



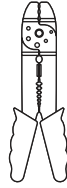
Phillips screwdriver



Flat blade screwdriver

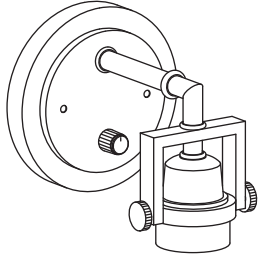


Pliers



Wire strippers

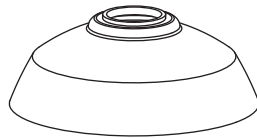
## HARDWARE INCLUDED



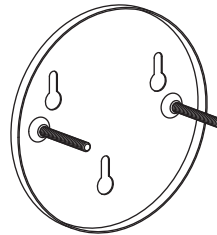
Fixture



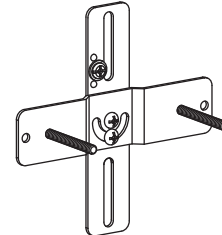
Ball Nuts



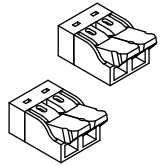
Glass Shade



Mounting Unit A



Mounting Unit B



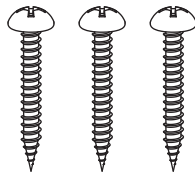
Wire Connector



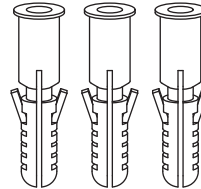
Plastic Cap A



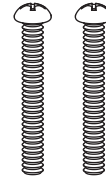
Plastic Cap B



Wood Screws



Plastic Anchors



Mounting Screws



Wire Nut

\* PARTS SHOWN MAY DIFFER SLIGHTLY PER LIGHT FIXTURE

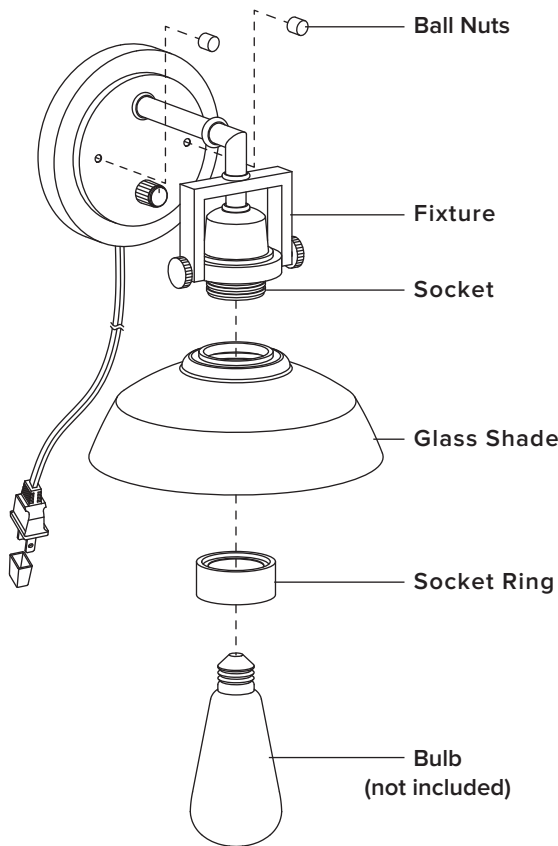


**OPTION 1 : For Wall-Mounted/ Plug-in Installation**

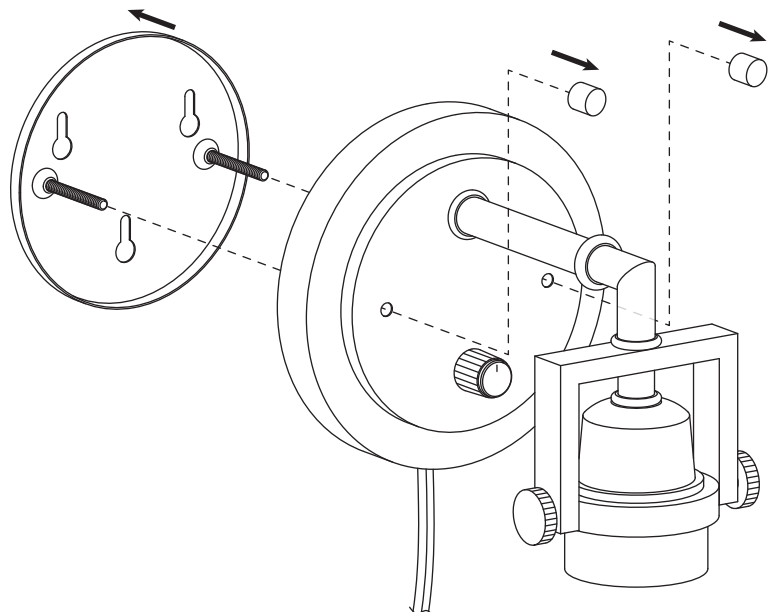
**OPTION 2 : For Electrical Box Mounting / Hardwire Installation**



## EXPLODED PARTS



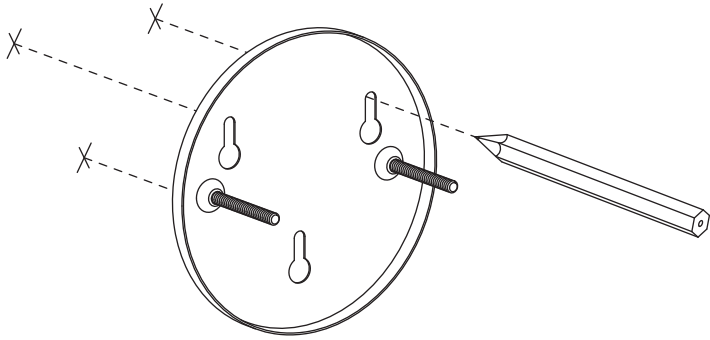
Before installation, separate the fixture from the Mounting unit a by removing the ball nut.



## MOUNTING OPTION 1 (For using socket outlet.)

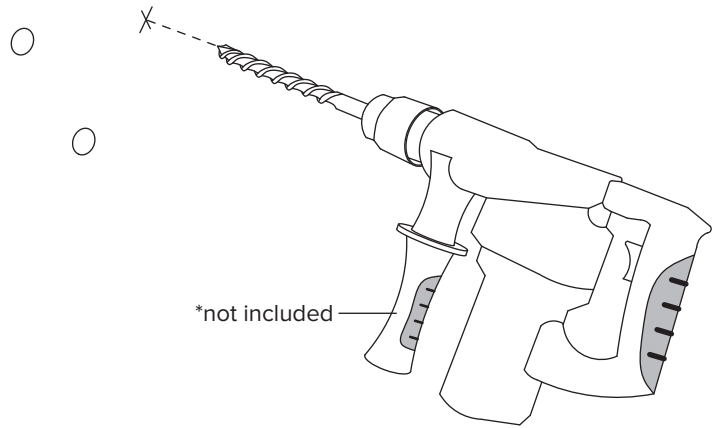
### STEP 1a

Place the **mounting unit A** in the desired position and mark the drilling position with a pencil.



### STEP 2a

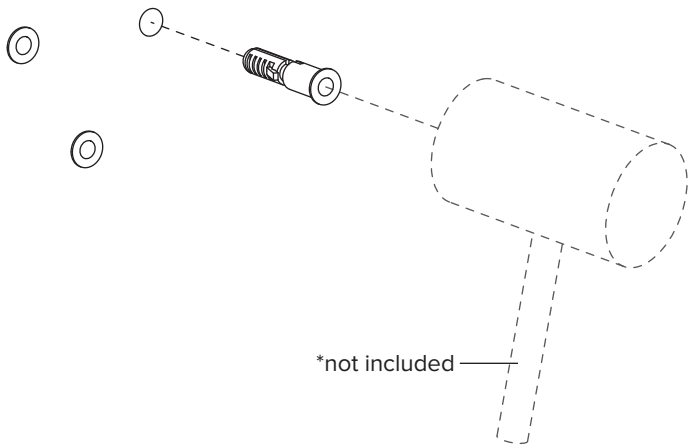
Using a 5/16 " (8mm) drill bit (not included), drill holes in the marked areas.



### STEP 3a

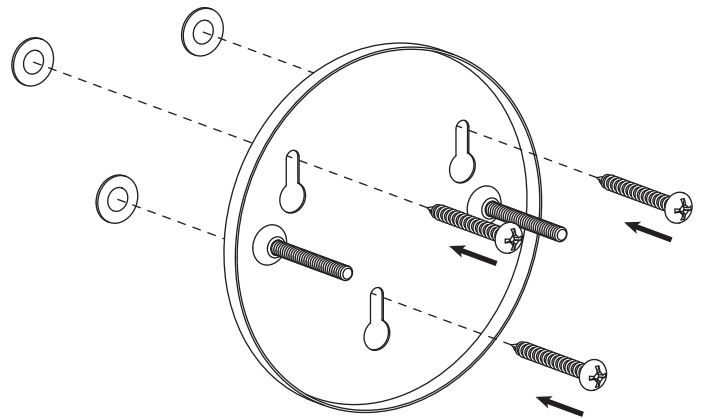
Insert the **plastic anchors** into the drilled holes.

\* If you encounter some resistance, feel free to use something to slightly tap them into place.



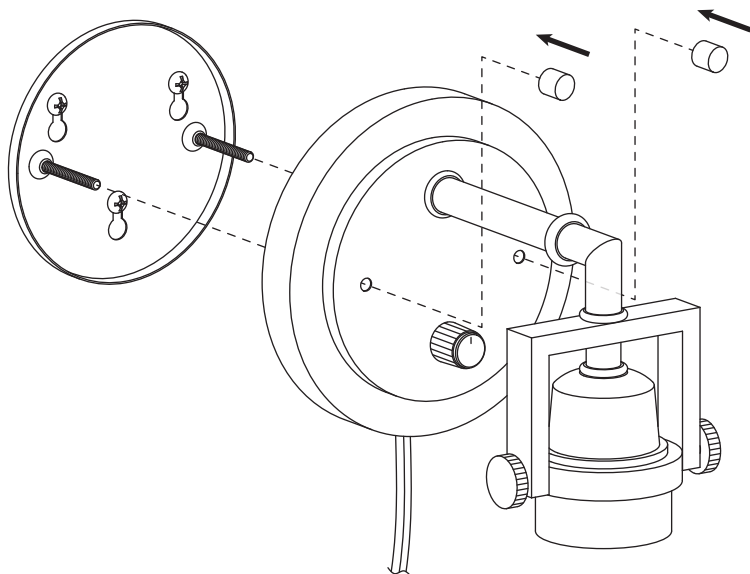
### STEP 4a

Next, Secure **mounting unit A** to wall with **wood screws**.



### STEP 5a

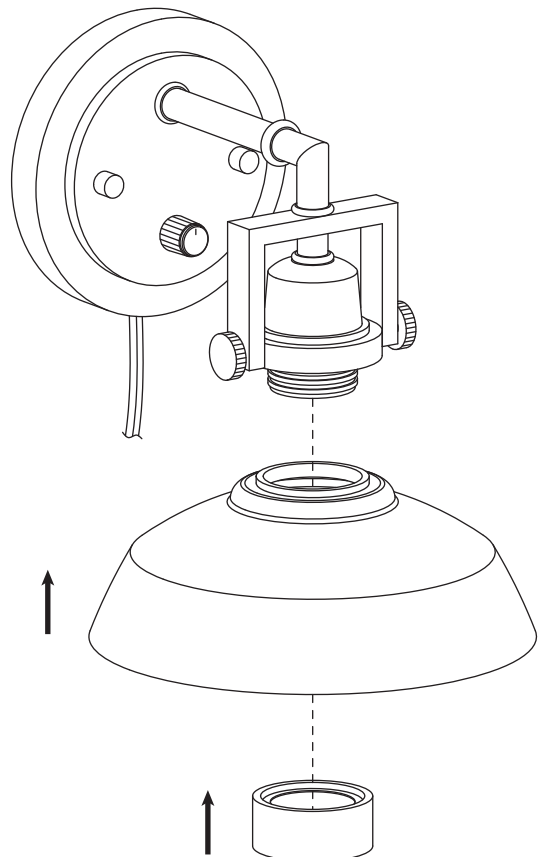
Attach the **fixture** to the **mounting unit A** through screw holes as shown, and secure it with **ball nuts**.



### STEP 6a

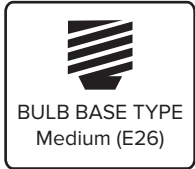
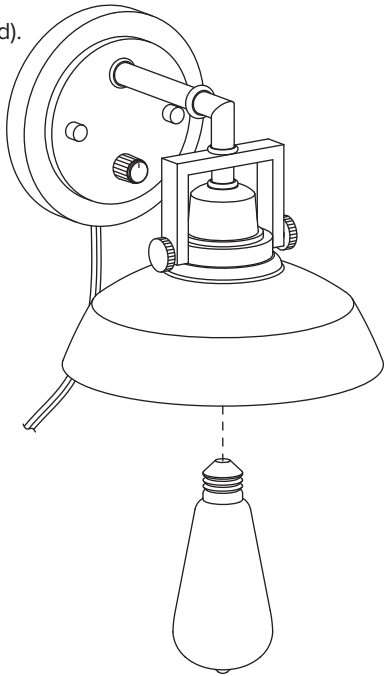
Remove the **socket ring** from the **fixture**.

Attach the **glass shade** onto **fixture** using **socket ring**.



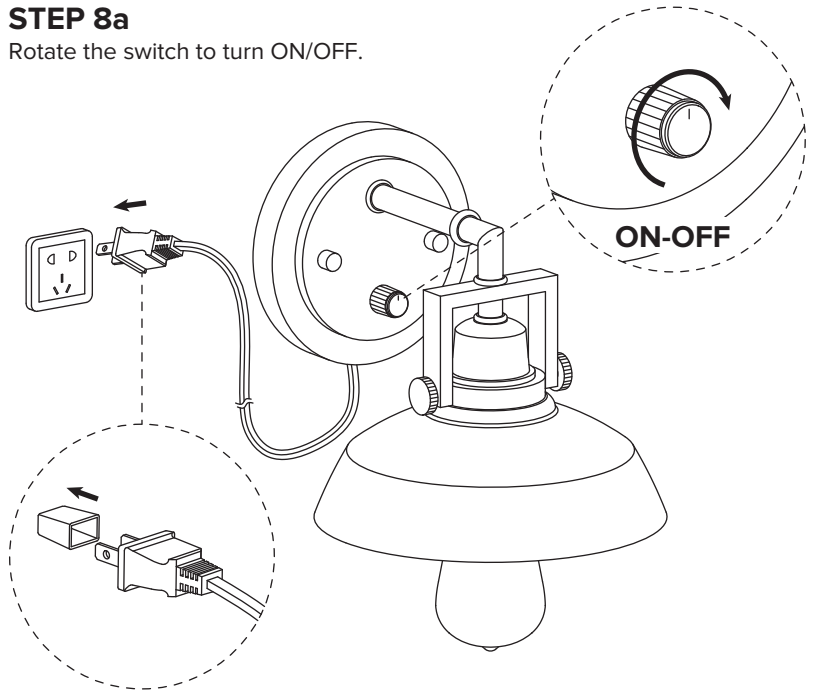
### STEP 7a

Install bulb (not included).



### STEP 8a

Rotate the switch to turn ON/OFF.

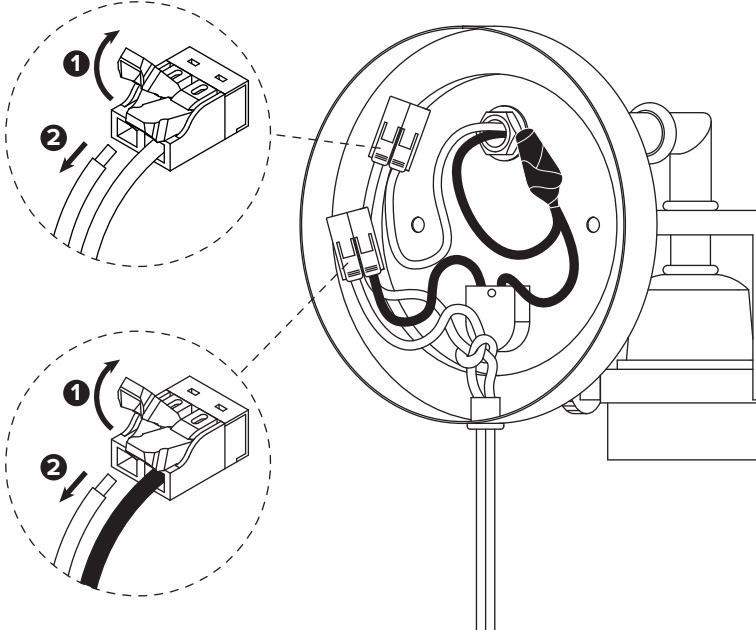


## MOUNTING OPTION 2

(For using junction box.)

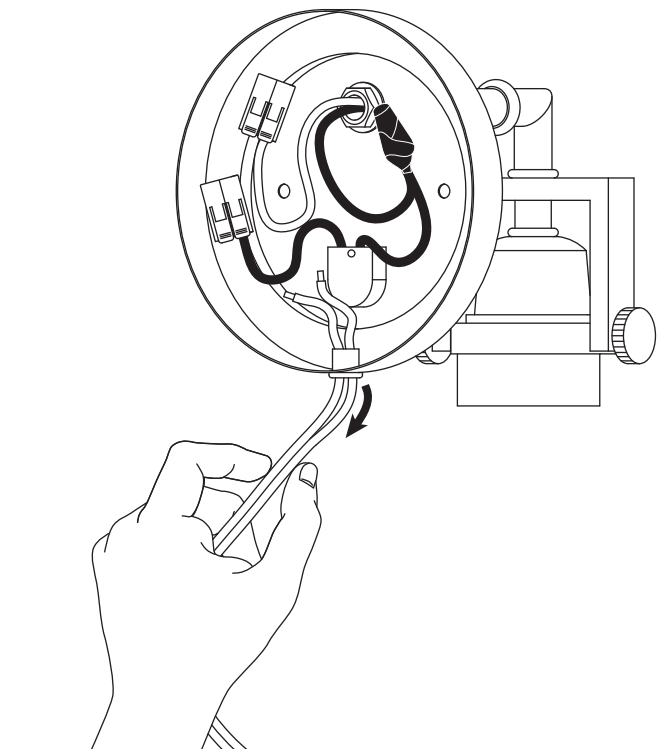
### STEP 1b

Remove wires that run to the plug from each wire connector component in order to allow the cord to be released out the bottom of the fixture.



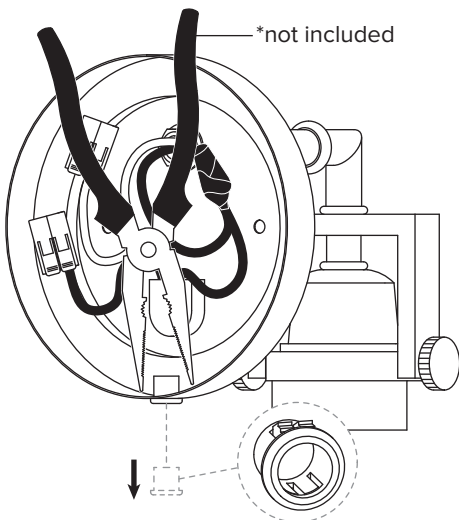
### STEP 2b

Remove the cord with the plug from the bottom of the fixture.



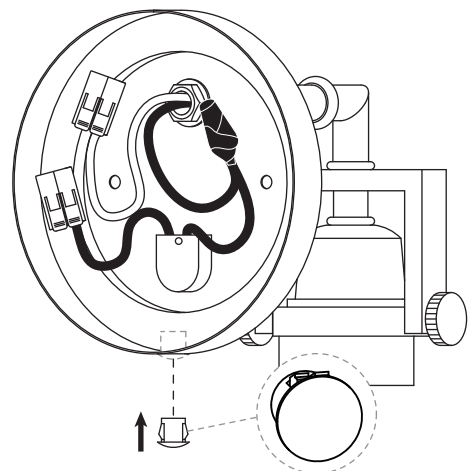
### STEP 3b

remove the **plastic cap A** from the bottom of the fixture.



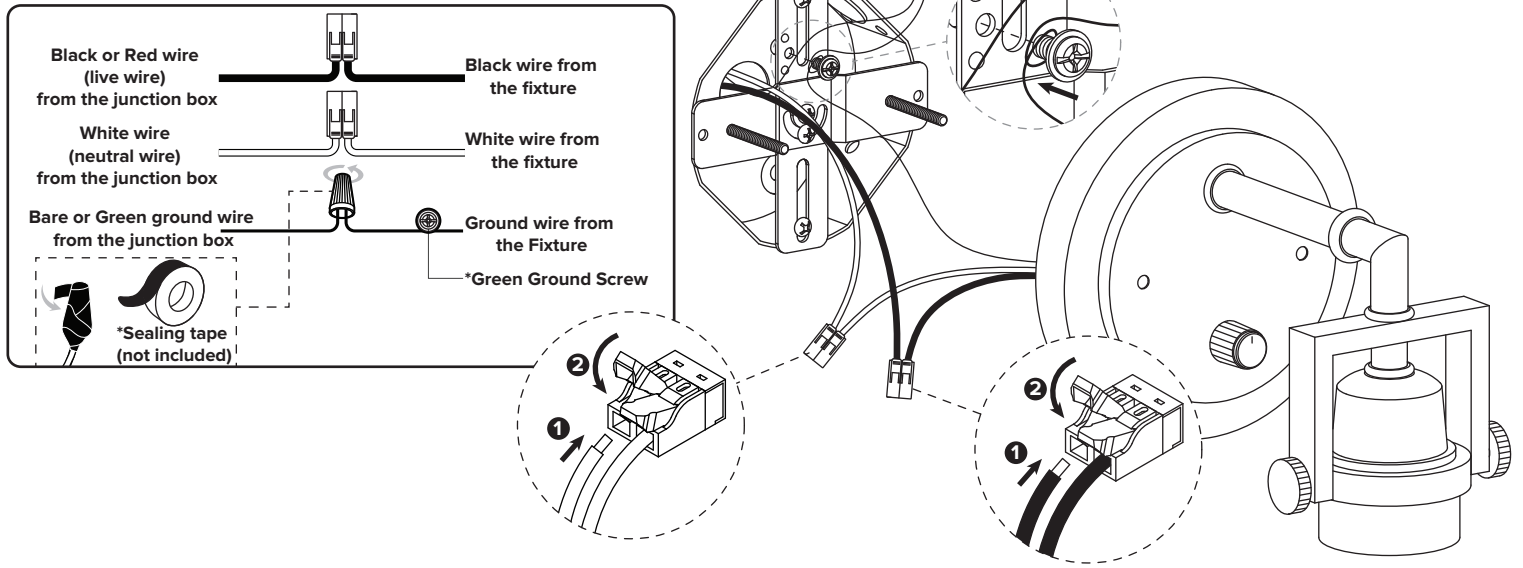
### STEP 4b

Insert the **plastic cap B** to the hole on the underside of the fixture.



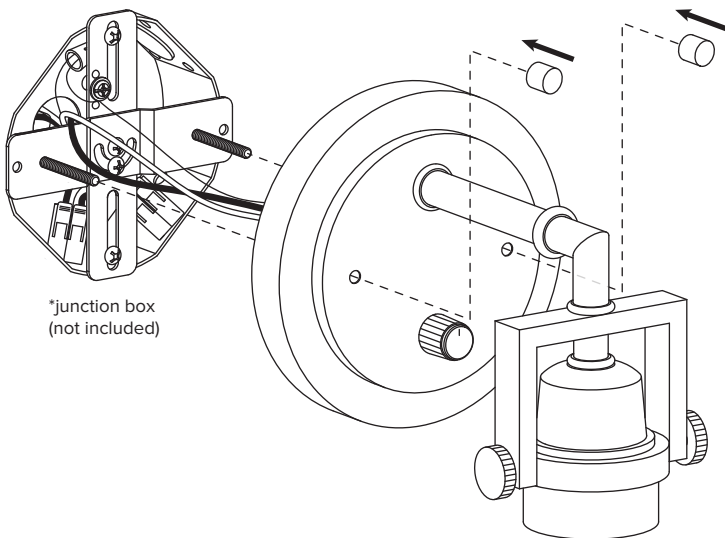
### STEP 5b

Make the electrical connection from the junction box (not included) to the **fixture**. Connect the ground wire to the **mounting unit** using the preinstalled green ground screw. Next, Use **wire connector** to connect the matching wires (live wire to black wire, neutral wire to White wire). use the **wire nut** to connect the ground wire from the junction box (not included) to the ground wire from the fixture and secure with electrical tape (not included).



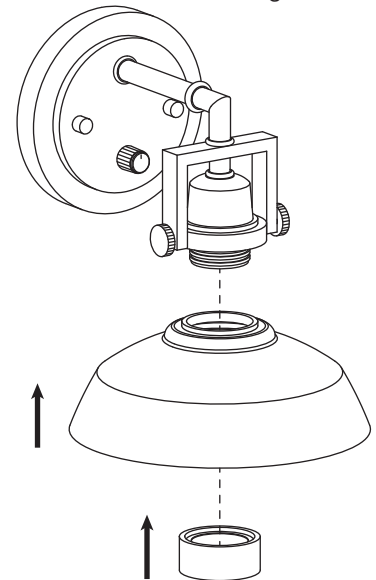
### STEP 6b

Attach the **fixture** to the **mounting unit A** through screw holes as shown, and secure it with **ball nuts**.



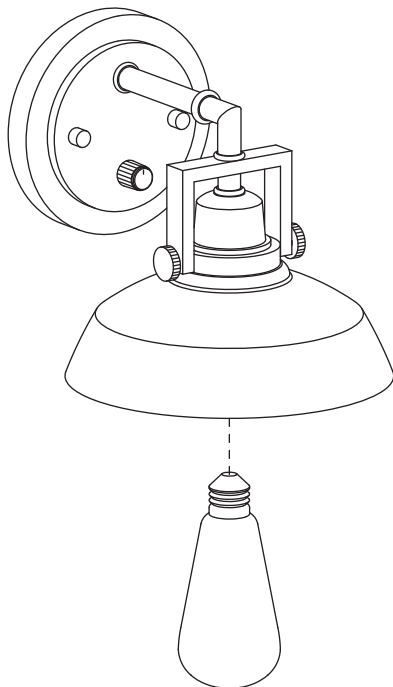
### STEP 7b

Remove the **socket ring** from the **fixture**. Attach the **glass shade** onto **fixture** using **socket ring**.



### STEP 8b

Install bulb (not included).



### STEP 9b

Rotate the switch to turn ON/OFF.

