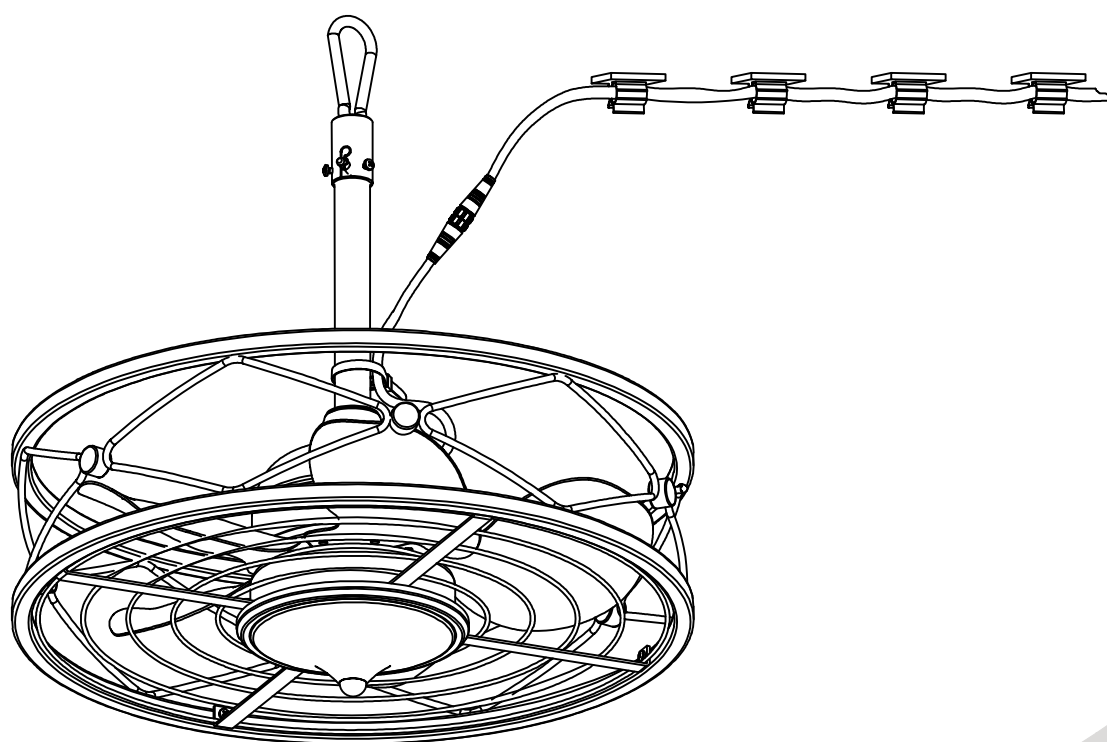


Ceiling Fan Lamp User Manual



Safety Rules

Please thoroughly read all safety instructions before installing your ceiling fan and keep this document for future use.

If you have any doubts or face difficulties with the installation process, feel free to contact our customer service at service@tiferor.com for guidance and support.

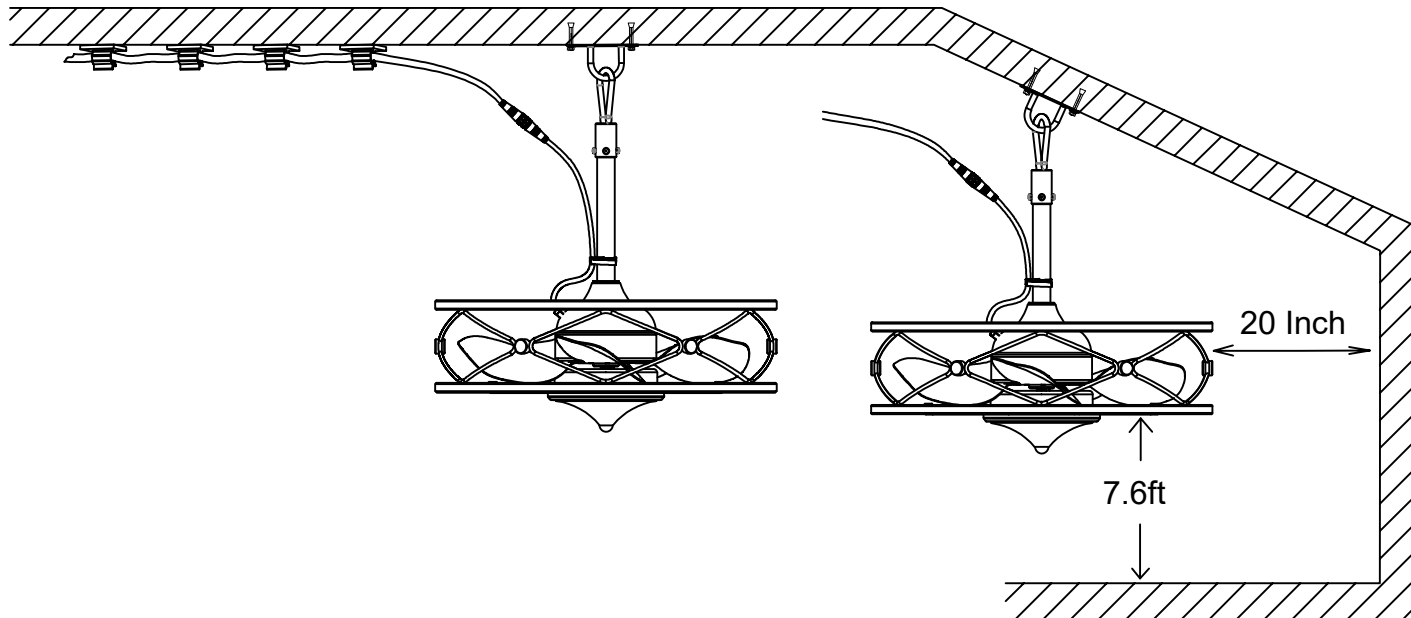
- ▶ **Power Safety:** Ensure the power is turned off at the circuit breaker or fuse box before beginning the fan installation.
- ▶ **Read Instructions:** Carefully review all instructions and safety information prior to installing your new fan.
- ▶ **Electrical Compliance:** All wiring must comply with national and local electrical codes. If you're not experienced with electrical work, we strongly recommend hiring a qualified electrician.
- ▶ **Blade Care:** Avoid bending the blades during installation, balancing, or cleaning.
- ▶ **Fan Blade Safety:** Do not insert any objects into the path of the rotating fan blades.
- ▶ **Installation Site:** Choose a location that allows fan blades to rotate freely without any obstructions.
- ▶ **Electric Shock Prevention:** To reduce the risk of electric shock, disconnect the power supply circuit before installing any light kit.
- ▶ **Secure Mounting:** After installation, ensure all mounting components are securely fastened to prevent the fan from falling.
- ▶ **Maintenance Safety:** Always turn the fan off and wait for the blades to stop completely before performing any maintenance or cleaning.

BEFORE YOU START

! IMPORTANT: To prevent damage to the wire and plug from over-pulling, turn off the circuit breakers and the wall switch connected to the fan's power supply.

--Unboxing: Carefully open the package and remove all items. To protect the motor body's finish, place it on a carpet or foam surface. Keep the fan's carton and foam inserts in case you need to return or repair the fan.

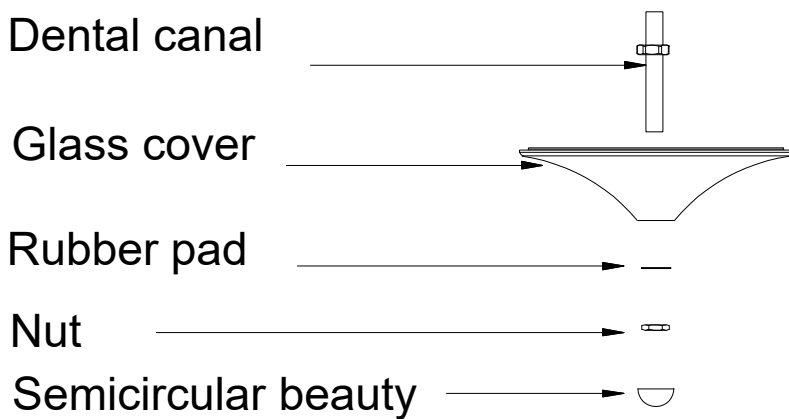
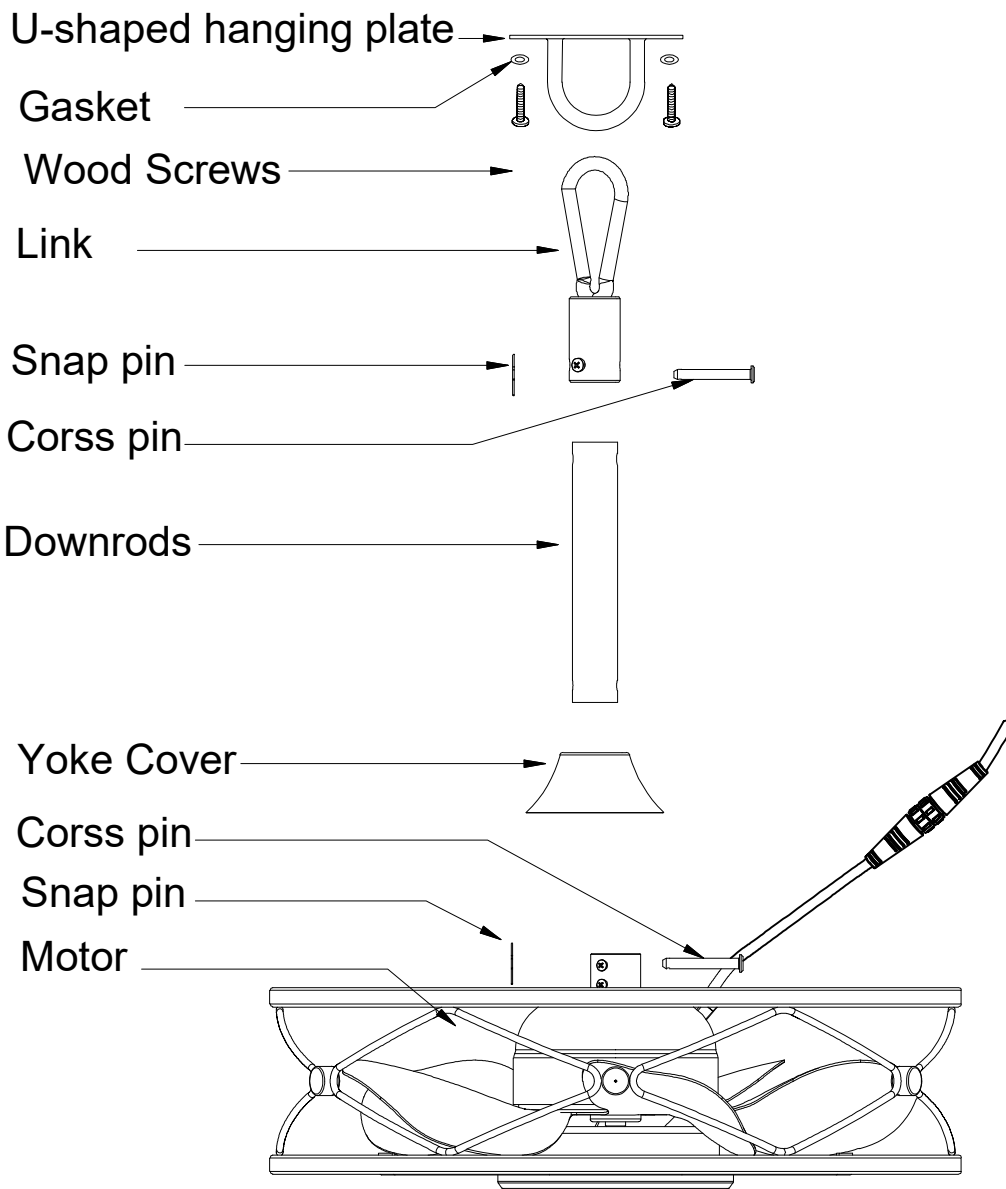
--Location Safety: For safety and proper operation, ensure the installation spot allows at least 7.6 feet (2.3 meters) of clearance from the fan blades to the floor, and a minimum distance of 20 inches (50 cm) from any wall or obstruction.



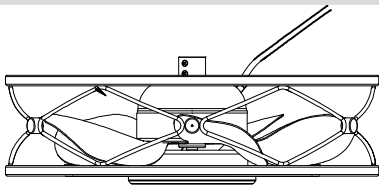
WARNING:

Ensure the hanging structure can support the fan's weight. Minimum capacity: 35 lbs for 20-inch, 35 lbs for 24-inch, and 60 lbs for 28-inch models. Do not install if the structure cannot support the fan's weight to prevent damage or injury.

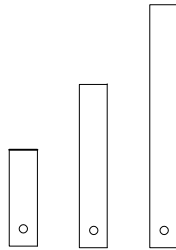
PARTS AND HARDWARES



PARTS LIST



Motor x1



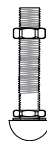
Downrods x3 (5" 10" 20")
(20"Optional)



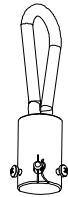
Yoke Cover x1



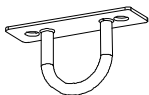
Glass Cover x1



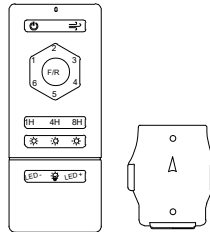
Semicircular beauty x1
Dental canal x1



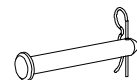
Link x1



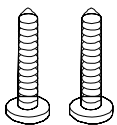
U-shaped hanging plate x1



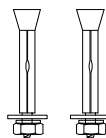
Remote Control x1



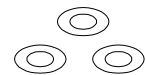
Corss pin x1



Wood Screws x2



Expansion Bolts x2



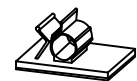
Gasket x3



Wood Screws x2



Remote Control
Anchors x2



Wire Clip x5



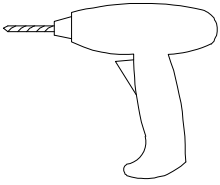
Cable Tie x3

Questions, Problems, or Missing Parts?

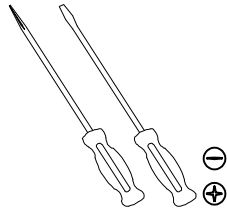
Before returning to the store, contact us at service@tiferor.com for assistance.

INSTALLATION INSTRUCTION

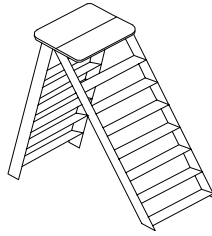
1. Tools Required(Not Included)



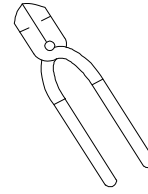
Power drill



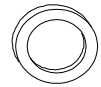
Screwdrivers



Ladder



Wire Strippers



Insulation Tape

2. Secure Bracket

! IMPORTANT: To avoid over-pull to damage the wire and plug, turn off circuit breakers and wall switch to the fan supply line leads.

Secure to Ceiling

Attach the mounting bracket to the ceiling. There are two types of screws included in the pack.

Concrete Ceiling (Fig. 2.1): Drill holes with an electric drill ($\phi 10$ mm). Use expansion screws to fix the mounting bracket to the ceiling.

Wood Ceiling (Fig. 2.2): Fasten the mounting bracket to the ceiling with 4 wood ceiling mounting screws.

Fig. 2.1

Concrete Ceiling

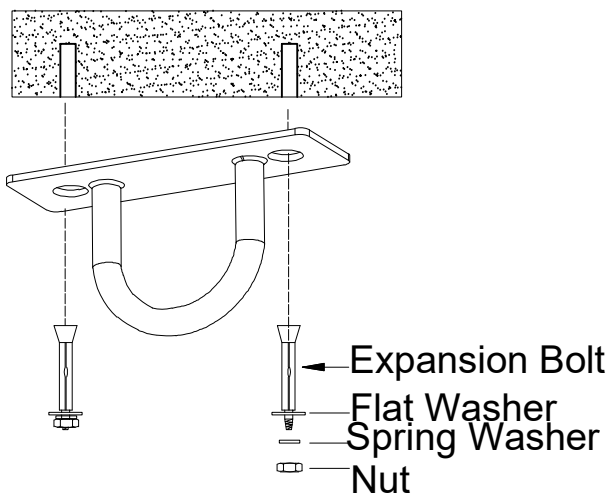
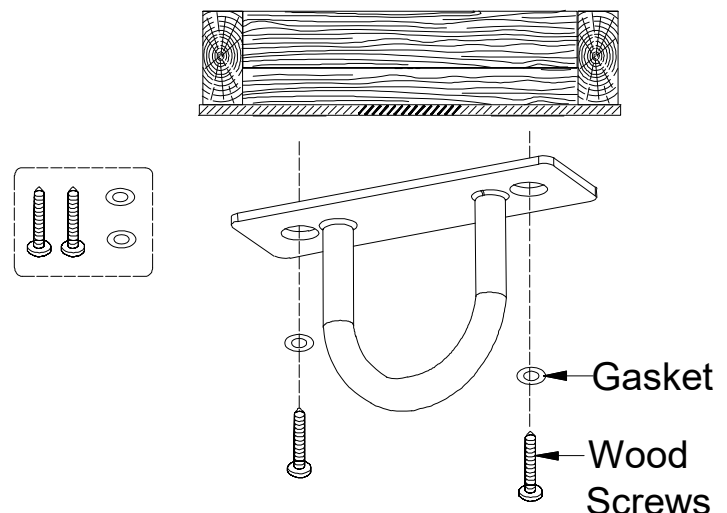


Fig. 2.2

Ceiling Joist



3-1. Downrod Installation

Select a suitable downrod (Fig. 3.1). (3 lengths are available 5"/10"/20")(20" Optional)

Align the holes and install the cross pins and latch pins. Finally, Use screw knives to lock the side screws. (Fig. 3.2).

Fig. 3.1

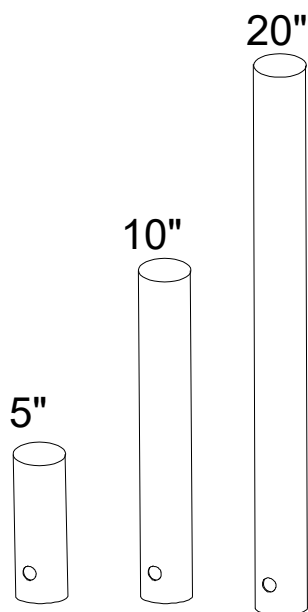
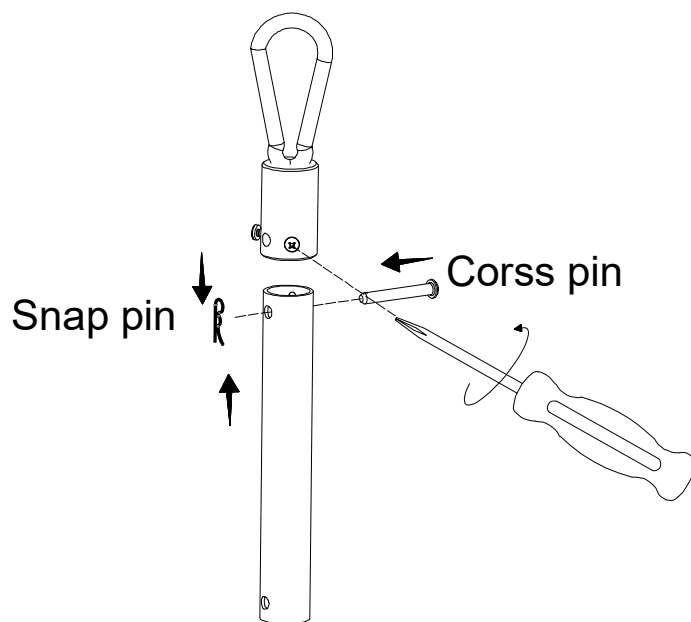
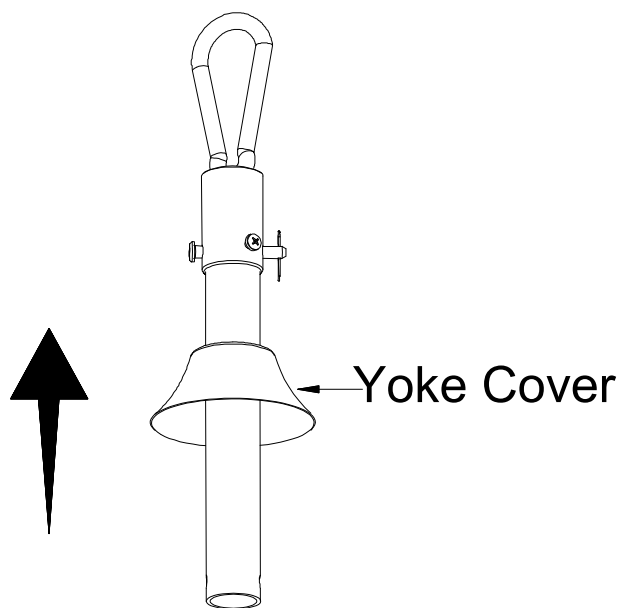


Fig. 3.2



Place the canopy on the boom. (Fig. 2.3).

Fig. 2.3



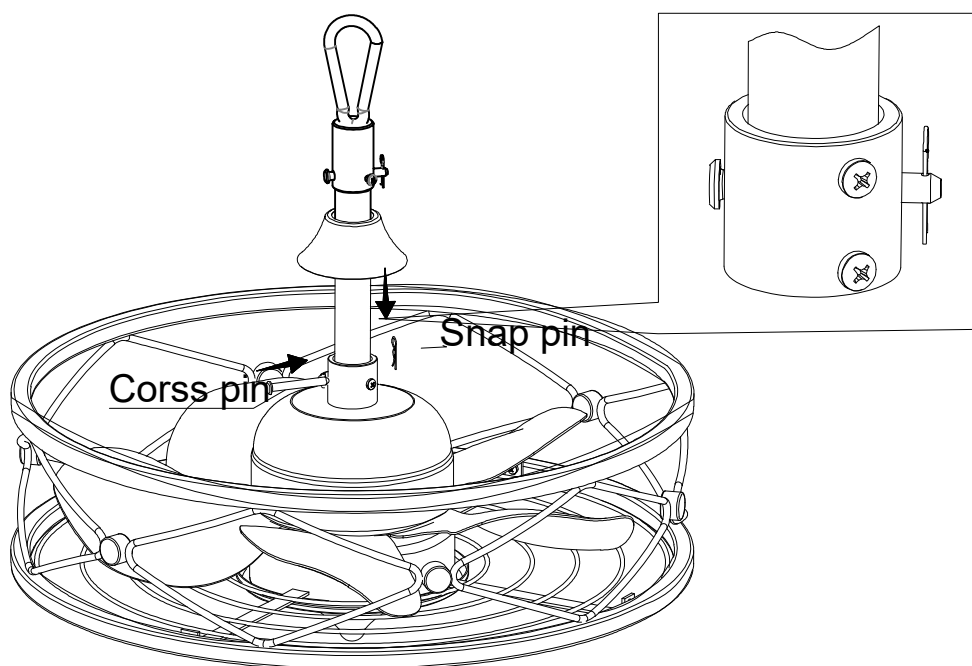
3-2.Downrod Installation

Insert cross pin through yoke and downrod until point appears on the other side, and insert snap pin on cross pin (Fig. 3.4).

Pull the downrod up tight against the cross pin, and then evenly tighten the downrod set screws on motor housing yoke (Fig. 3.4).

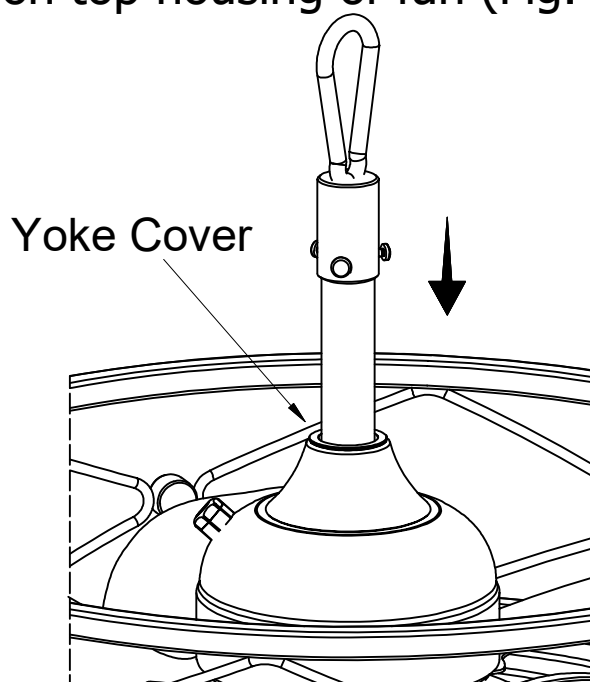
Warning: Cross pin and keeper pin must be installed securely, failure to install them will result in serious injury.

Fig. 3.4



Place yoke cover on top housing of fan (Fig. 3.5).

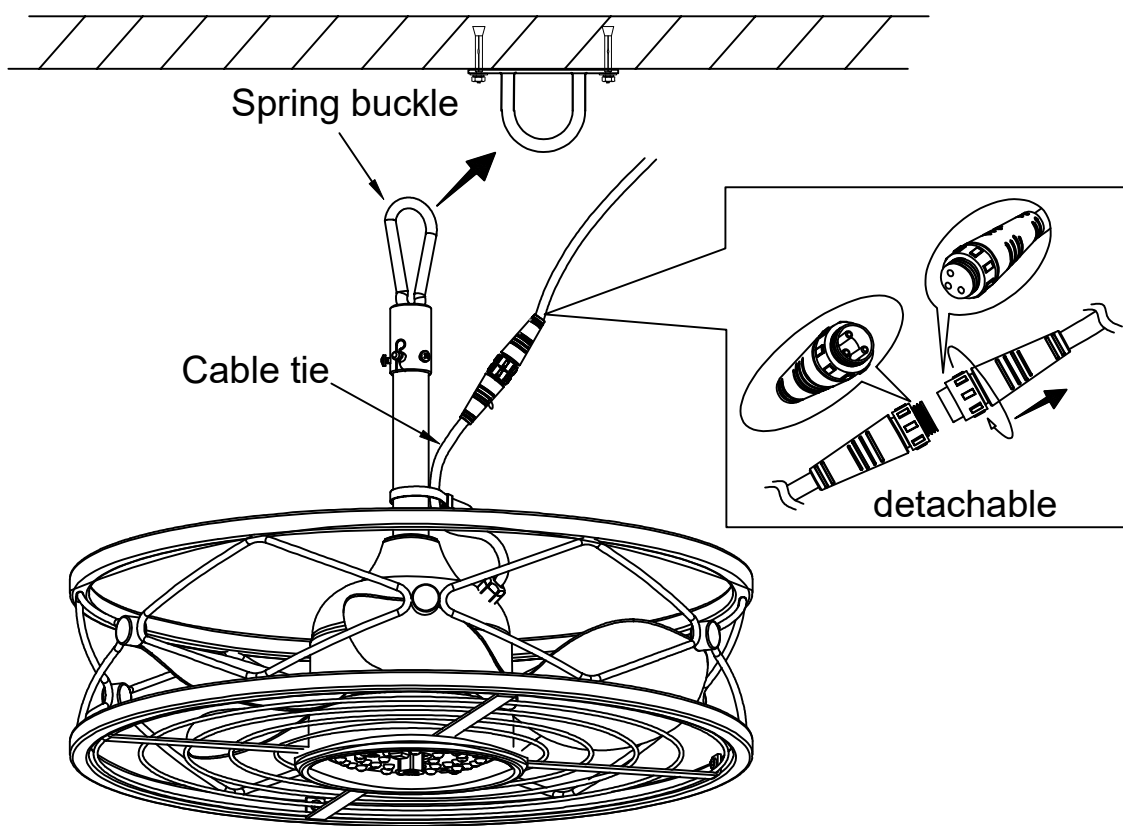
Fig. 3.5



4. Mount Fan to Bracket

1. Attach the fan assembly to the mounting bracket from the spring clip on the downrod assembly (Fig. 4.1).
2. Secure the wire from the motor body to the downrod assembly with the rod wire clip. Tighten the clip to fix the wire in place (Fig. 4.1).

Fig. 4.1



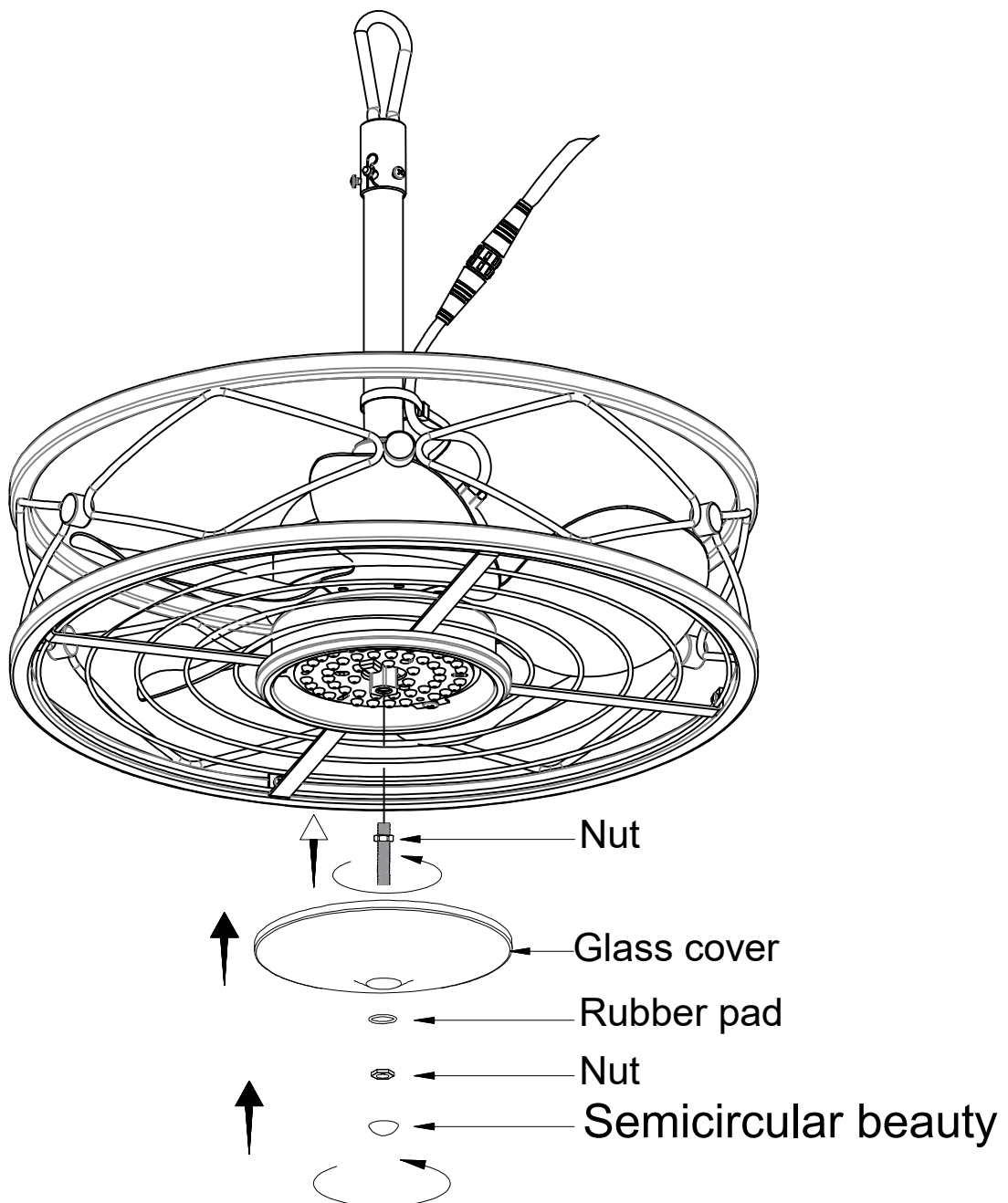
Warning:

The power cord is not designed to support the weight of the fixture. Pulling on the power cord may cause the fixture to fall, posing risks of personal injury, electrical shock, or fire.

5. Installation of Light Kit

1. Find the rod from the accessory. Screw in the thread of the rod into the Stud hole at the bottom of the motor body. Then tighten it with pliers (Fig. 5.1).
2. Thread the lampshade through the stud. Remember to put the rubber washer on the bottom of the lamp cover to avoid Cover cracking (Fig. 5.1).
3. Install the end on the bottom stud thread and tighten it by hand (Fig. 5.1).

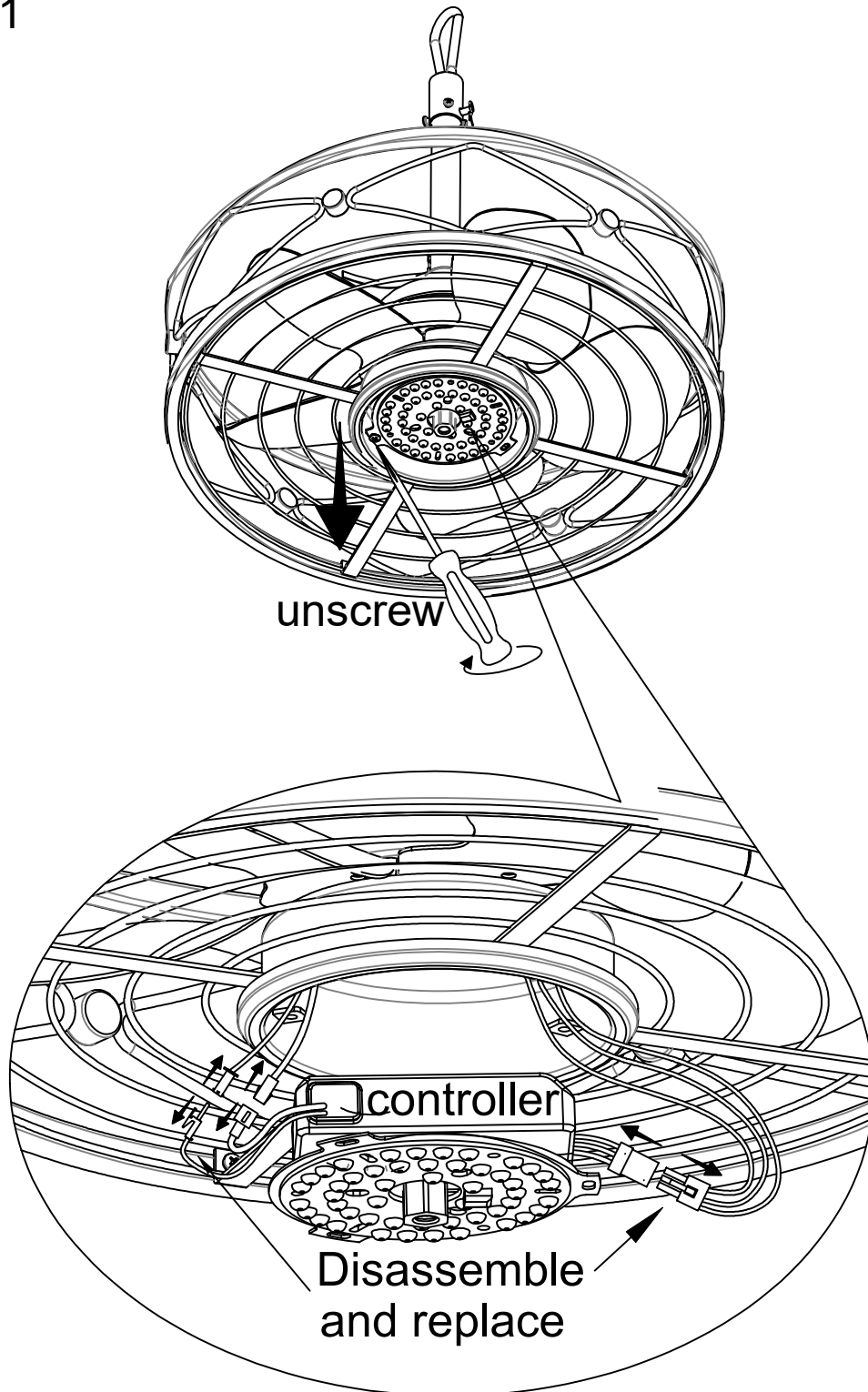
Fig. 5.1



6. Replace The Controller

1. Remove the light source plate with a screwdriver and replace the controller as shown in the figure (Fig. 6.1).

Fig. 6.1



7. Clamp Mounting

1. Before installing the buckle, ensure that the wall is clean to avoid unstable adhesion of the buckle.
2. Open the plastic clasp with your hand and put the thread in (Fig. 7.1).
3. Close the plastic buckle with your hand (Fig. 7.2).

Fig. 7.1

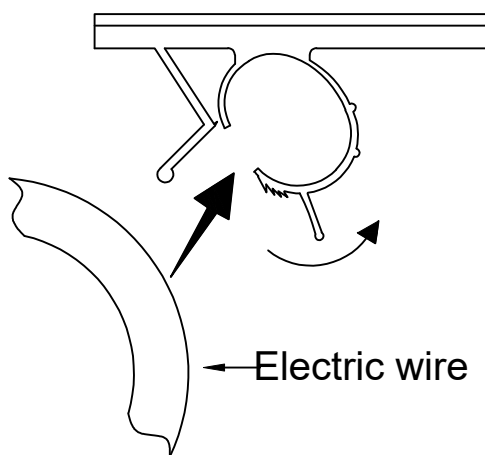
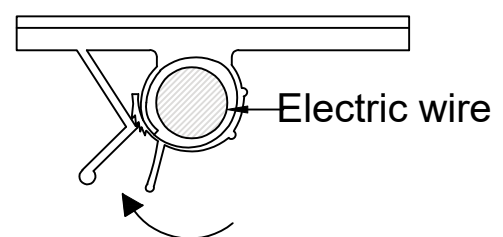
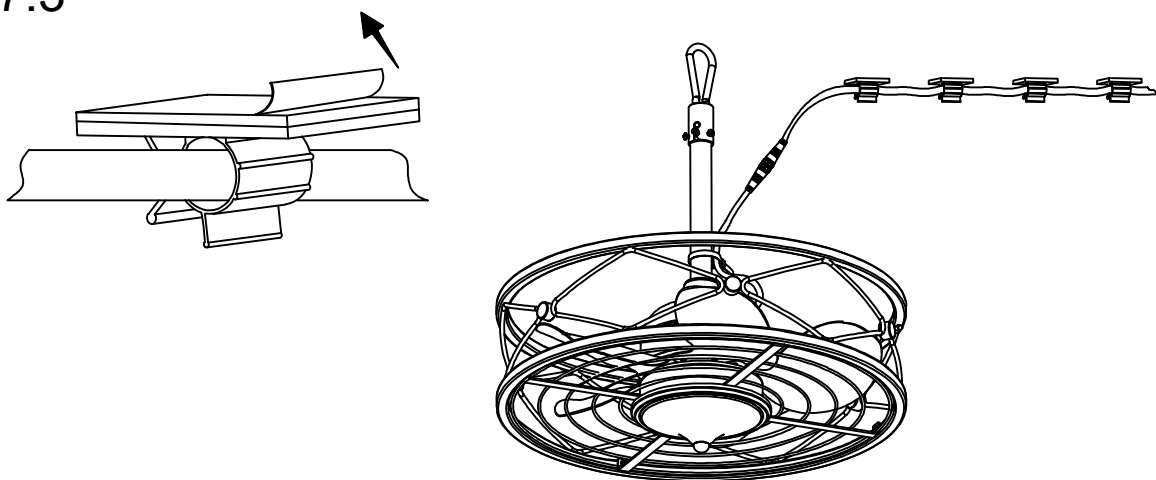


Fig. 7.2



4. Tear the adhesive paper from the plastic clip and finally choose the appropriate wall to paste (Fig. 7.3).

Fig. 7.3



8. The Replacement of Downrods(OPT)

If a longer downrod is required for your space, you'll need to use a longer extension wire. Choose a wire with a thickness similar to that of the motor's wire. Using wires that are too thick or too thin can alter the required resistance for the receiver and may prevent the motor from working properly.

To replace the downrod with a different length, please follow the steps below:

1. Loosen the screws on the hanger ball (see Fig. 8.1).
2. Remove the metal bar (see Fig. 8.2).
3. Detach the original downrod from the hook (see Fig. 8.3).
4. Attach the hanger ball to the appropriate downrod (see Fig. 8.4).
5. Insert the cross pin (see Fig. 8.5).
6. Tighten the screws (see Fig. 8.6).

Fig. 8.1

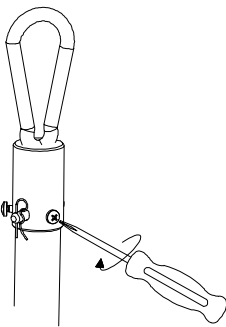


Fig. 8.2

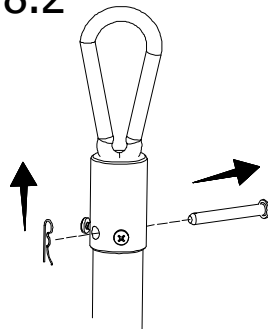


Fig. 8.3

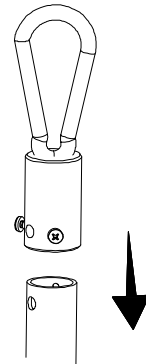


Fig. 8.4

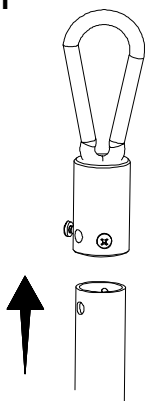


Fig. 8.5

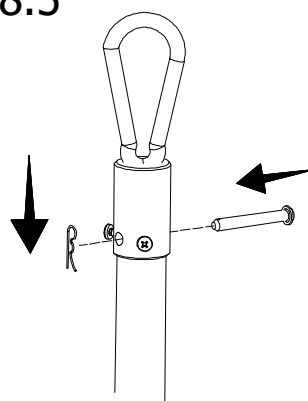
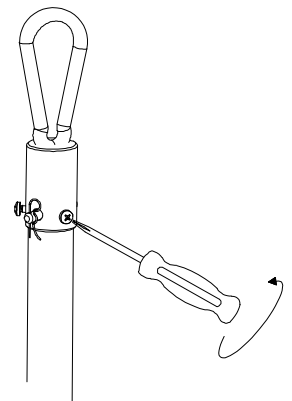
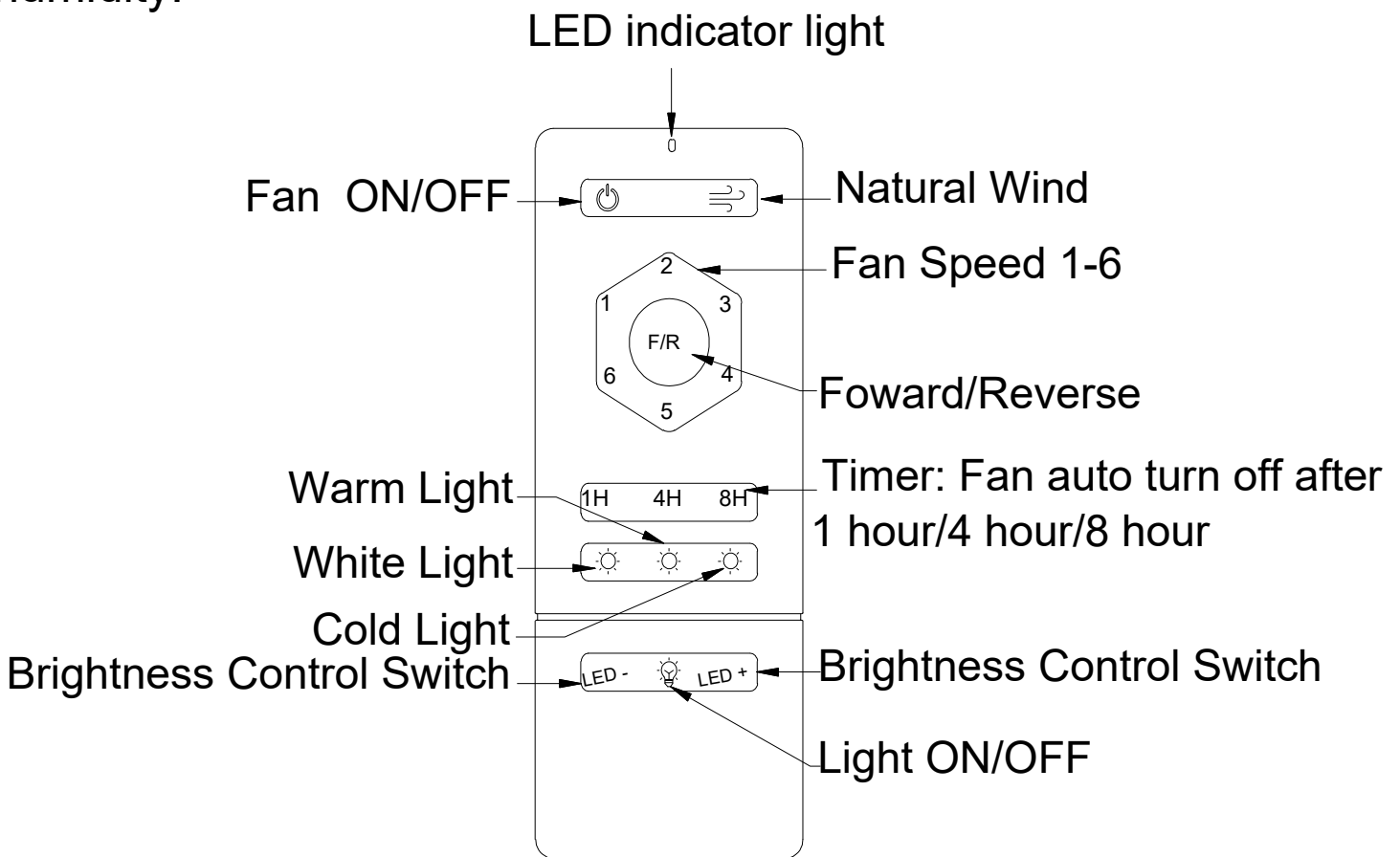


Fig. 8.6




OPERATION INSTRUCTION

- 1, The remote control requires two 1.5V batteries.
- 2, If the remote will not be used for an extended period, remove the batteries to prevent damage to the transmitter.
- 3, Avoid storing the remote in places with excessive heat or humidity.



Remote Control Pairing Instructions:

1. Turn "ON" the power supply.
2. Within 10 seconds, press and hold the remote's "  " button for 5 seconds.
3. A long "beep" sound indicates successful learning, and the remote should now operate normally.

Note: The learning mode will not activate if 10 seconds have passed after turning "ON" the power supply.

TROUBLESHOOTING

Note: Always turn off the power before performing any checks to avoid the risk of electric shock.

Fan or Light Not Working:

- Remote Indicator: Check if the remote control's indicator light is on. If not, ensure the batteries are correctly installed and charged.
- Fan Power Supply: Verify that the ceiling fan is receiving power.
- Check Wiring: Inspect the wiring at the controller to ensure no connections are loose.

Unusual Fan Wobbling:

- Ceiling Mounting: Ensure the ceiling mounting hardware is secure.
- Screw Tightness: Check all accessory screws to ensure they are tightly fastened.

Abnormal Fan Noise:

- Obstruction Check: Inspect the fan blades and surrounding area for obstructions.
- Ceiling Mounting: Confirm that the ceiling mounting hardware is secure.
- Screw Tightness: Verify that all screws on the accessories are tight.
- Controller Placement: Check that the controller is properly positioned.

If these steps do not resolve the issue, please contact our customer service department at service@tiferor.com for further assistance.

Maintenance

Here are some suggestions to help maintain your fan:

- Due to the fan's natural movement, connections may loosen over time. It's important to check the support connections, brackets, and blade attachments twice a year to ensure they remain secure.
- Regular cleaning of your fan is recommended to maintain its appearance. Use dry methods for cleaning; water can damage the motor and increase the risk of electrical shock.
- To avoid scratching the finish, use only a soft brush or lint free cloth. Be cautious with cleaning products as they may harm the finish.
- Your fan does not require oiling. The motor is equipped with permanently lubricated bearings.
- In coastal or humid environments, regular surface cleaning is necessary to prevent deterioration or oxidation from salt and other corrosive elements.

Note that a Damp Location rating does not guarantee finish durability. Take preventative measures based on the environmental conditions your fan will face to maintain the quality and appearance of its finish.

IMPORTANT:

Shut off the main power supply before beginning any maintenance. Do not use water or a damp cloth to clean the ceiling fan.