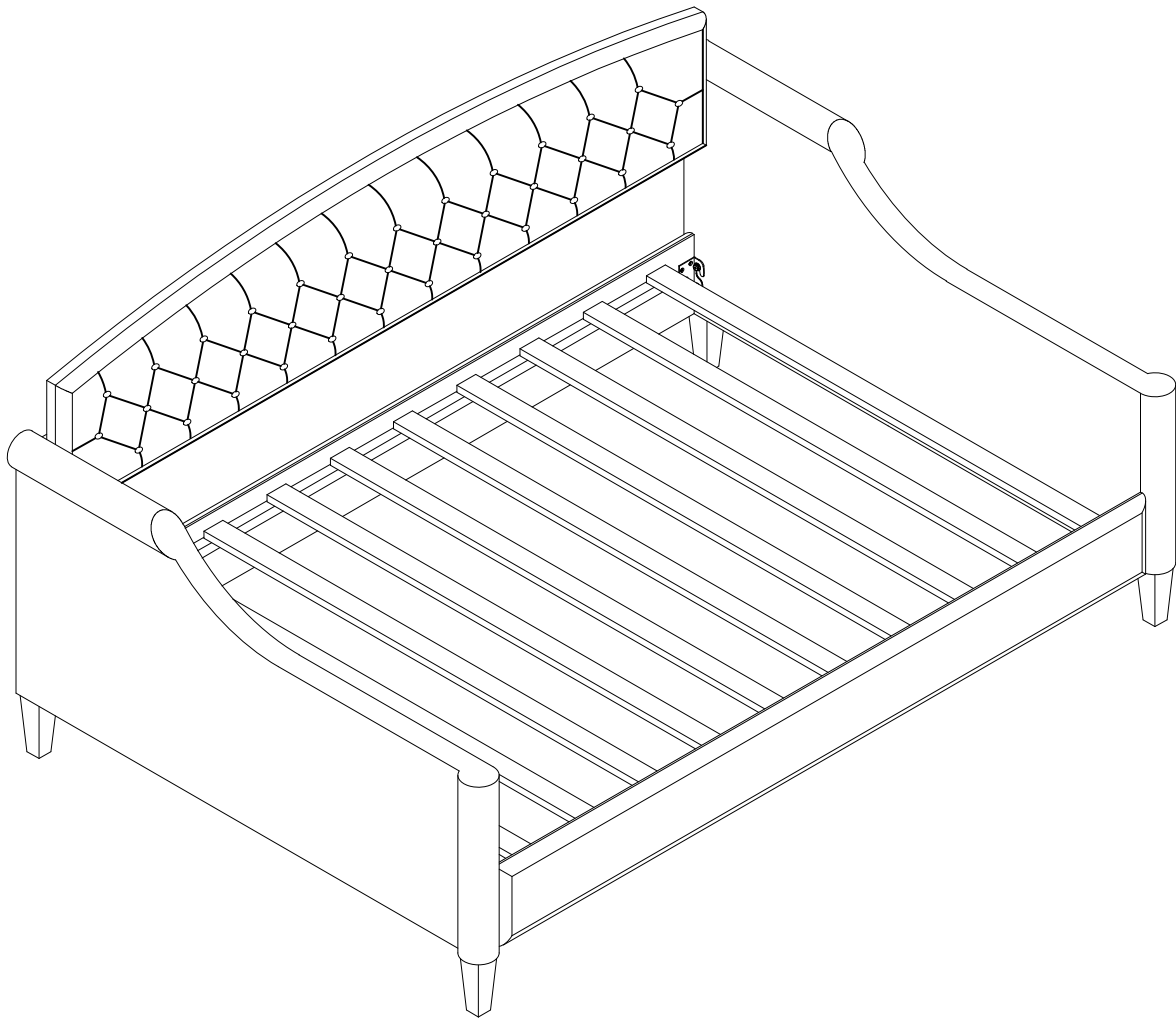
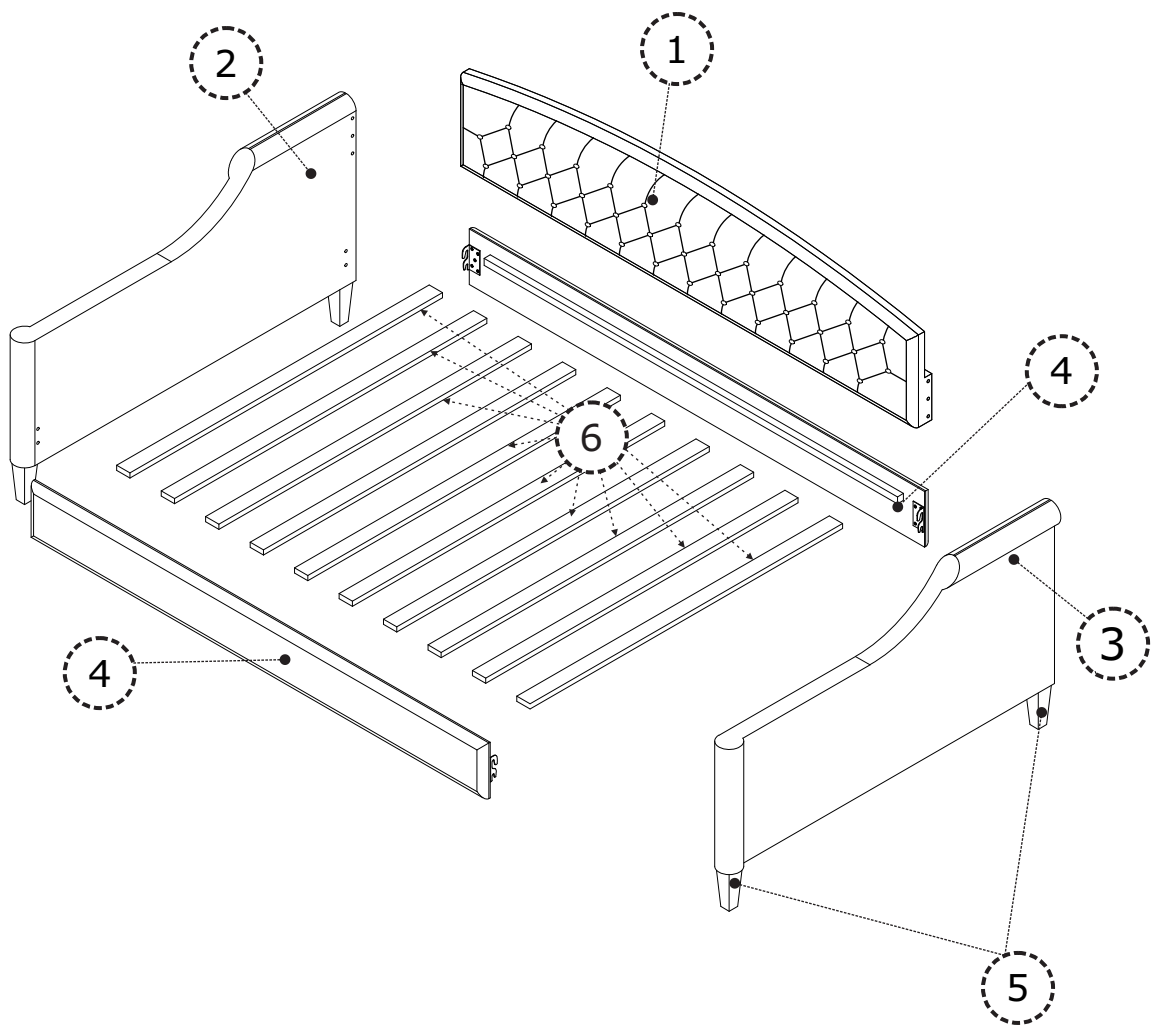


WF312150
WF312151



If you have any questions, please feel free to contact us.
Email: lowes.team@qualfurn.net

ASSEMBLY INSTRUCTIONS

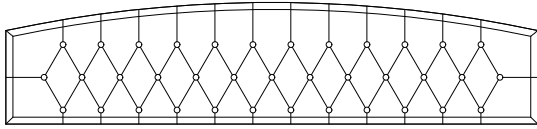


PARTS

Check that you've received
all parts listed below.

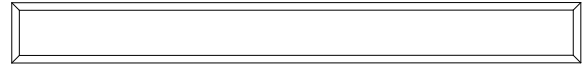
BOX: 1/2
WF312150

① x 1



Head Board

④ x 2



Rails

⑤ x 4



Legs

⑥ x 10



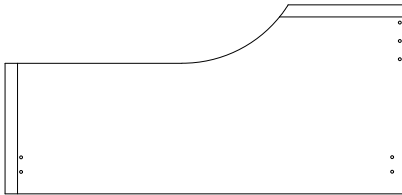
Slats

PARTS

Check that you've received
all parts listed below.

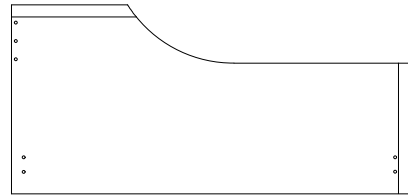
BOX: 2/2
WF312151

2 x 1



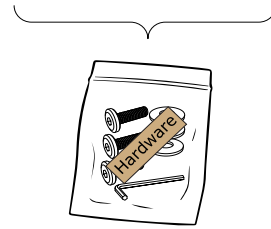
Side Board Left

3 x 1



Side Board Right





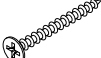

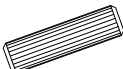
Hardware



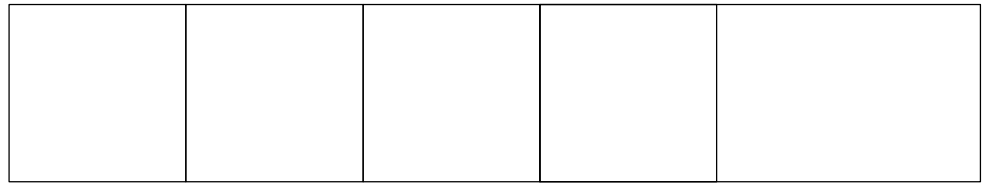
HARDWARE

Check that you've received all hardware listed below.

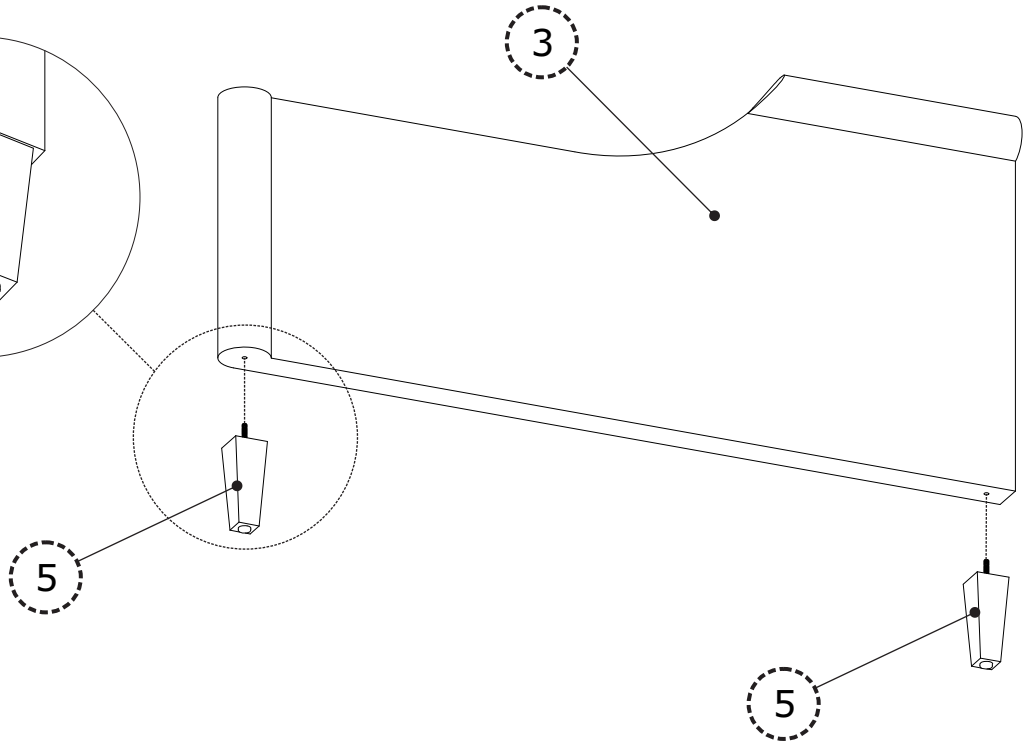
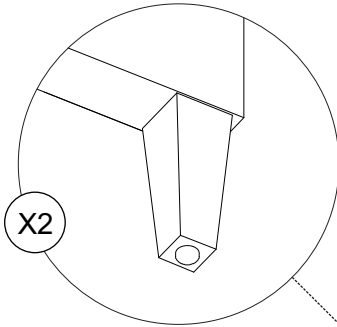
Hardware List

| No. | OUTLOOK | DESC | QTY |
|-----|---|---|-----|
| A |  | Bolts $\frac{5}{16}$ "x30 mm | 8 |
| B |  | Plain washer $\text{Ø}19 \times 1.5$ mm | 12 |
| C |  | Spring washer $\text{Ø}13 \times 1$ mm | 12 |
| D |  | Allen key 80x30x4 mm | 1 |
| E |  | Screws $\text{Ø}4 \times 30$ mm | 20 |
| F |  | Bolts $\frac{5}{16}$ "x60 mm | 4 |
| G |  | Dowel $\text{Ø}10 \times 30$ mm | 2 |
| | | | |
| | | | |
| | | | |
| | | | |
| | | | |
| | | | |
| | | | |
| | | | |
| | | | |

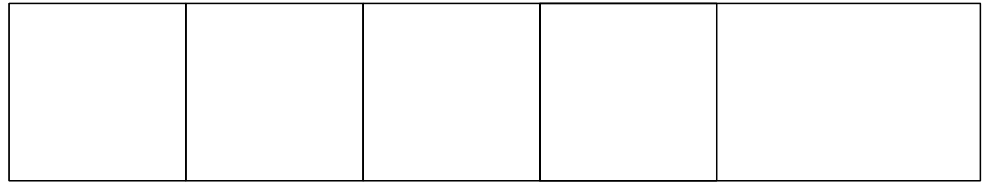
STEP 1



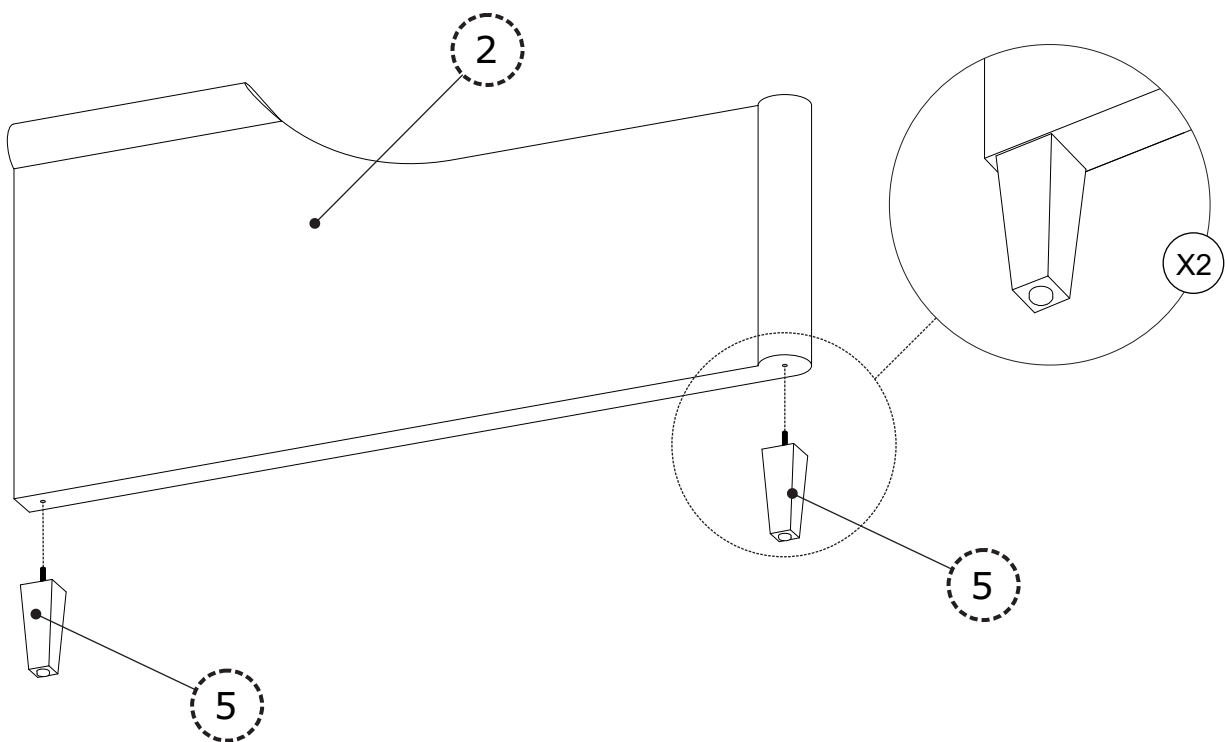
100%



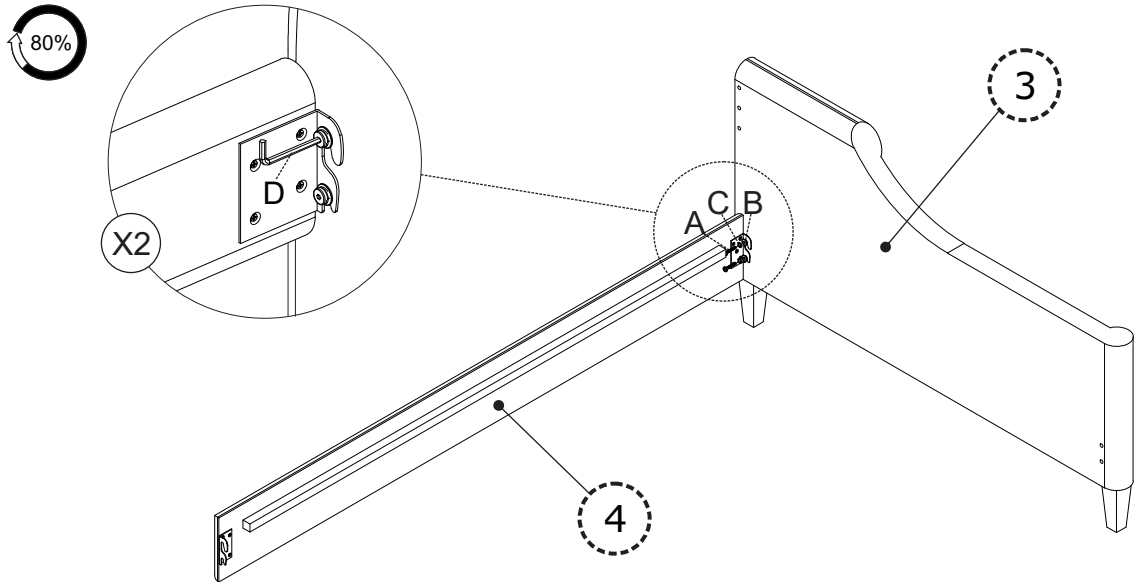
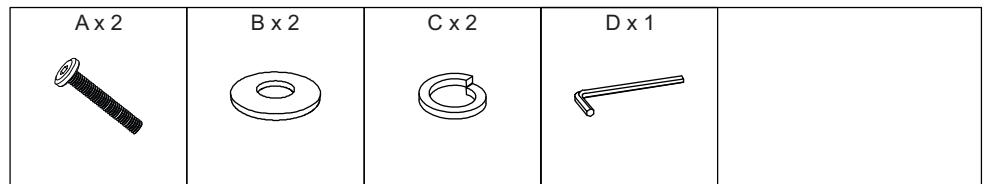
STEP 2



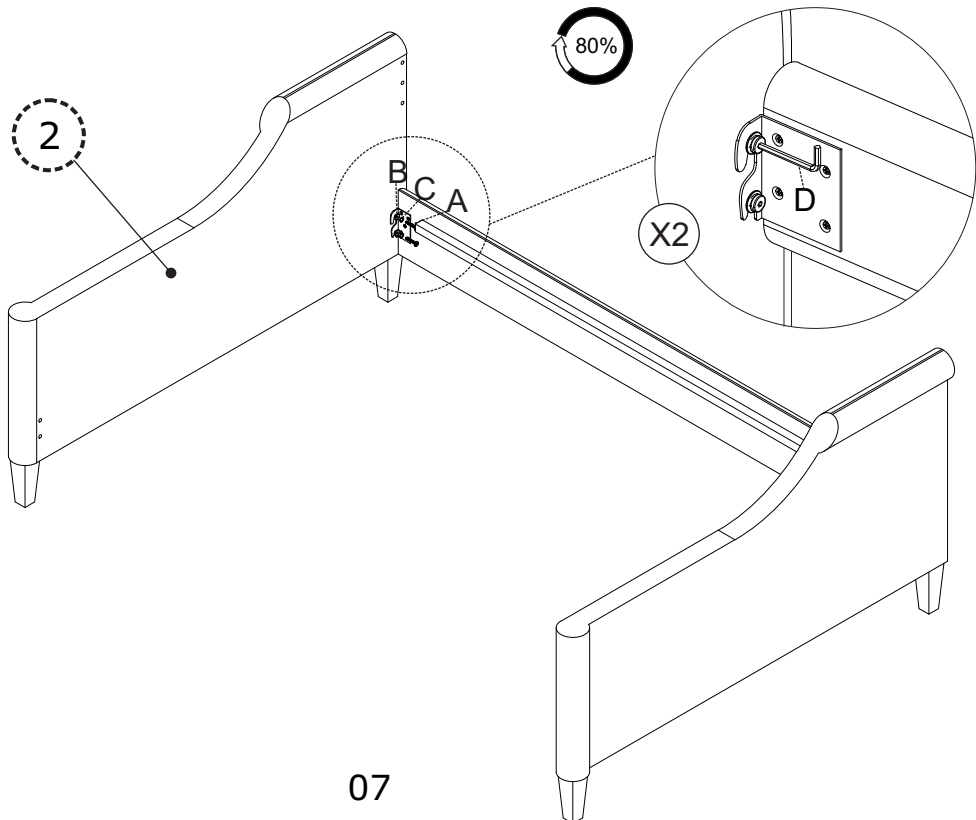
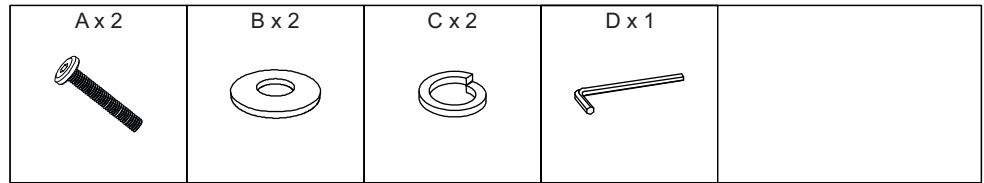
100%



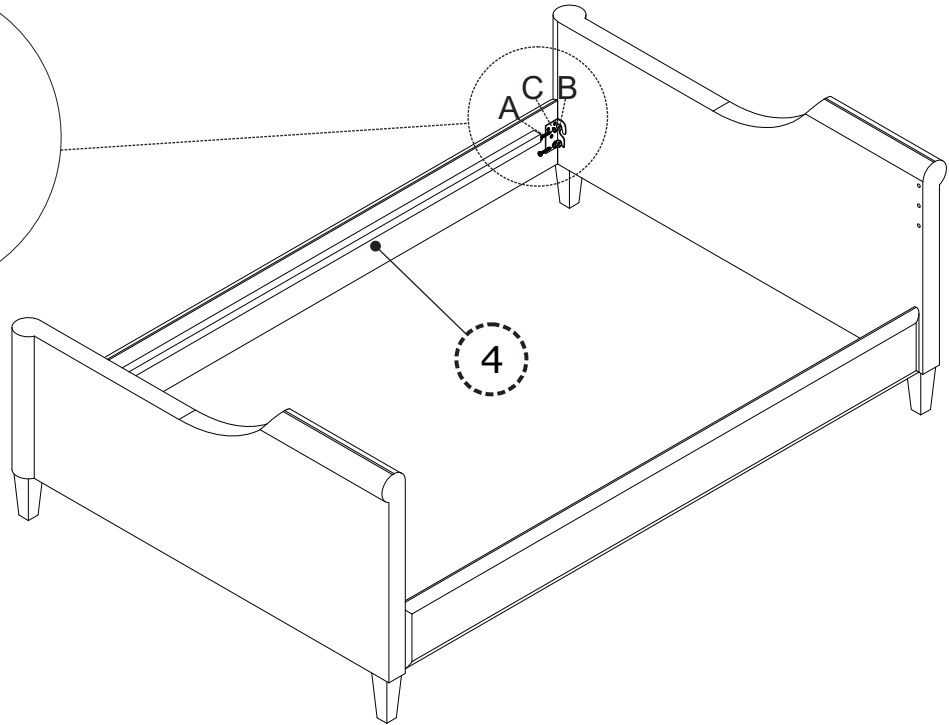
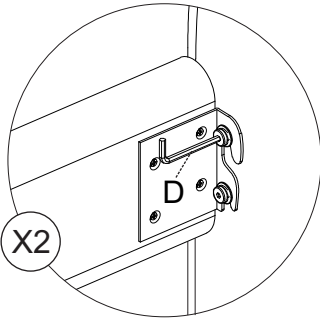
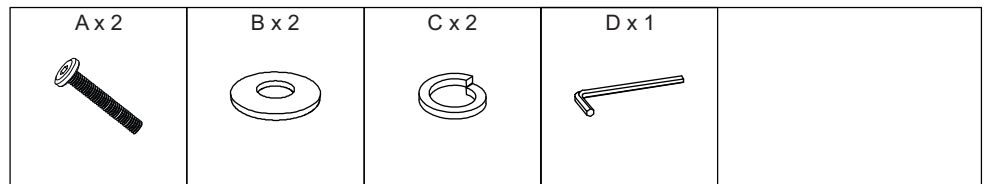
STEP 3



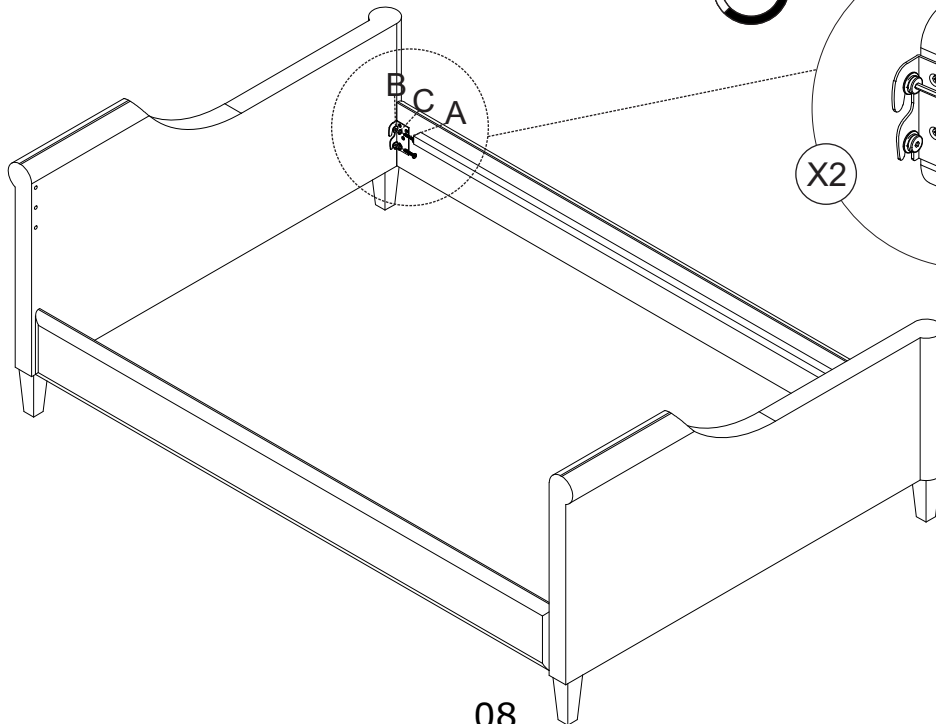
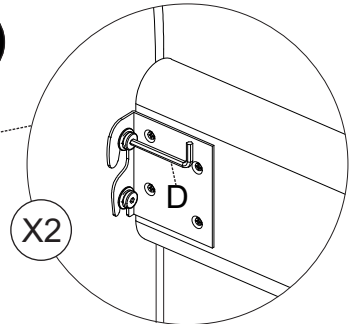
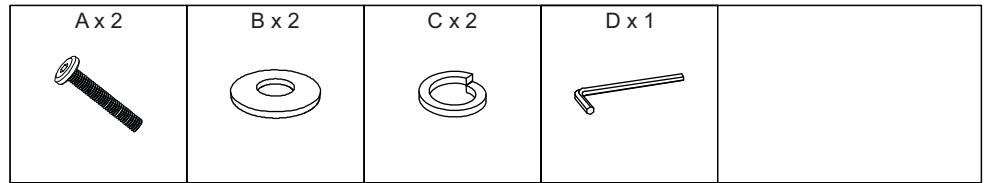
STEP 4



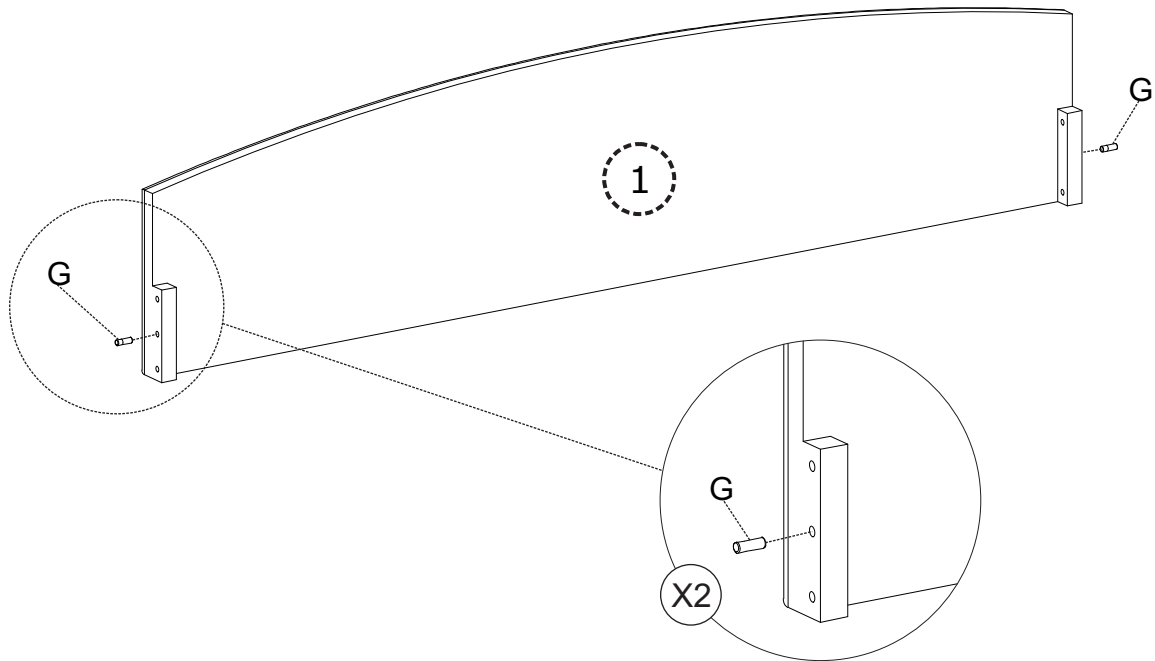
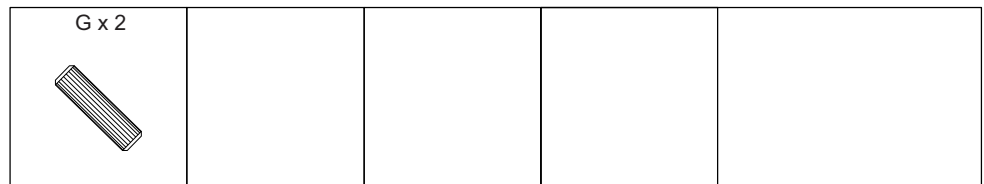
STEP 5



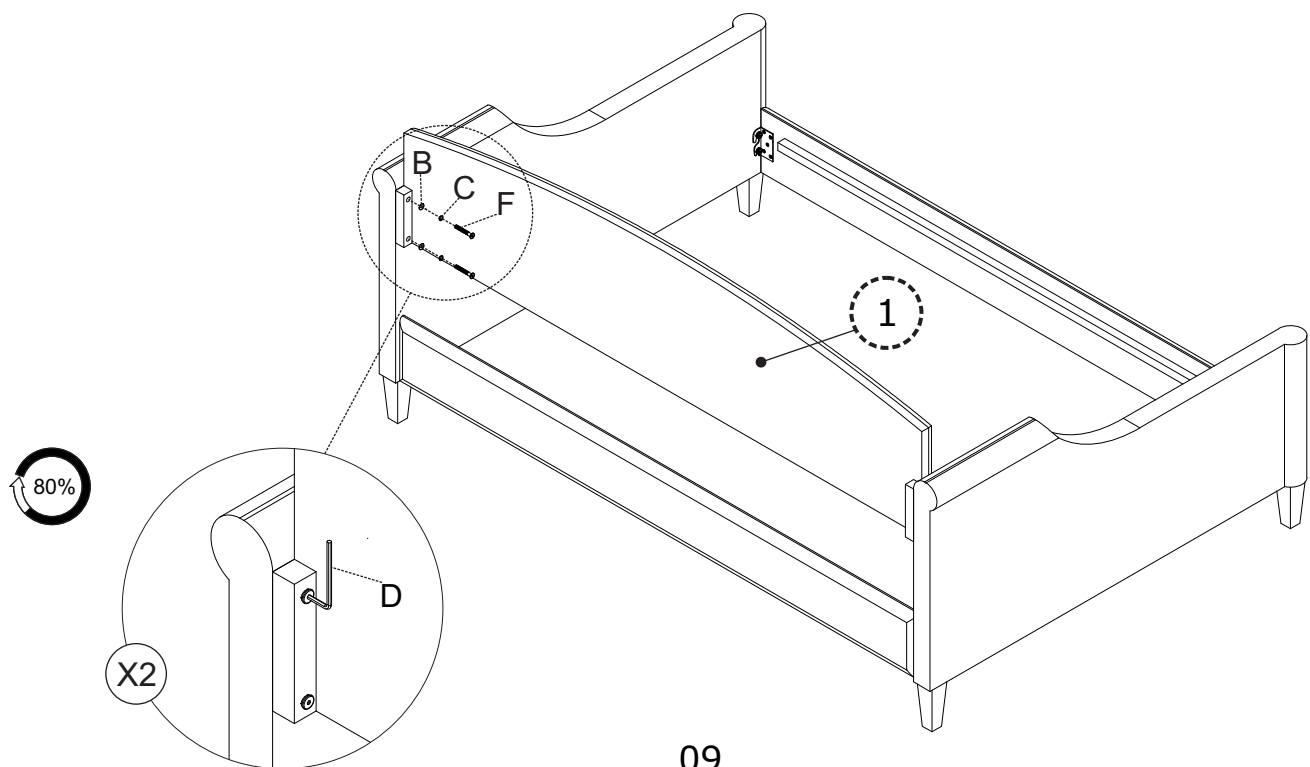
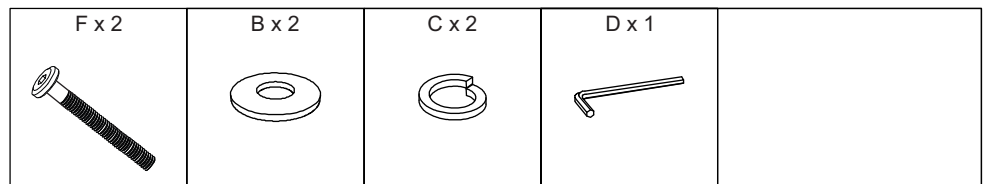
STEP 6



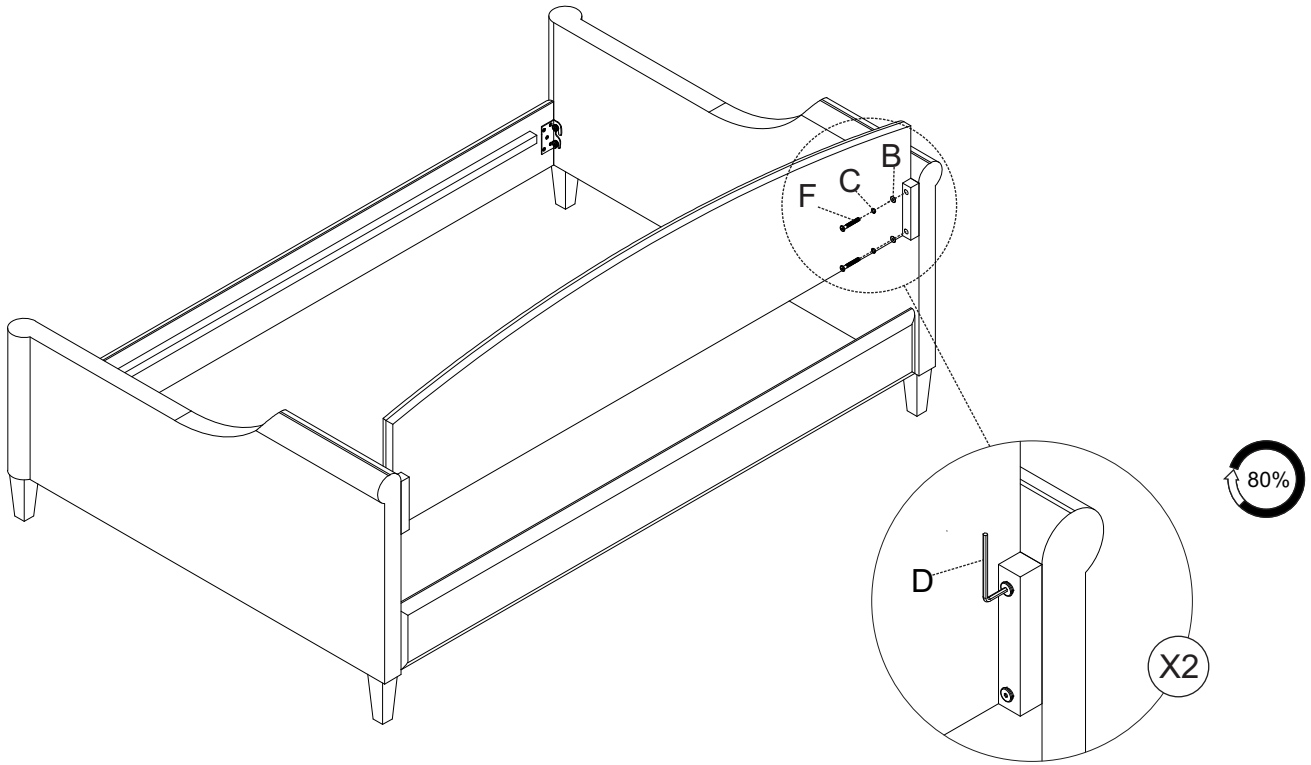
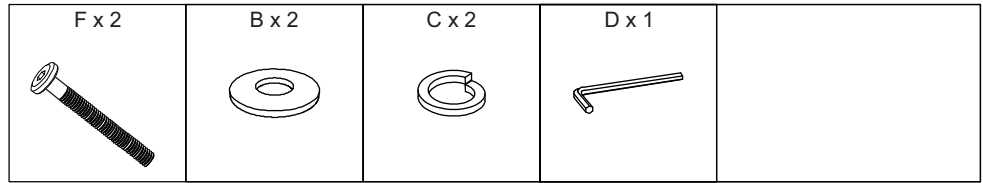
STEP 7



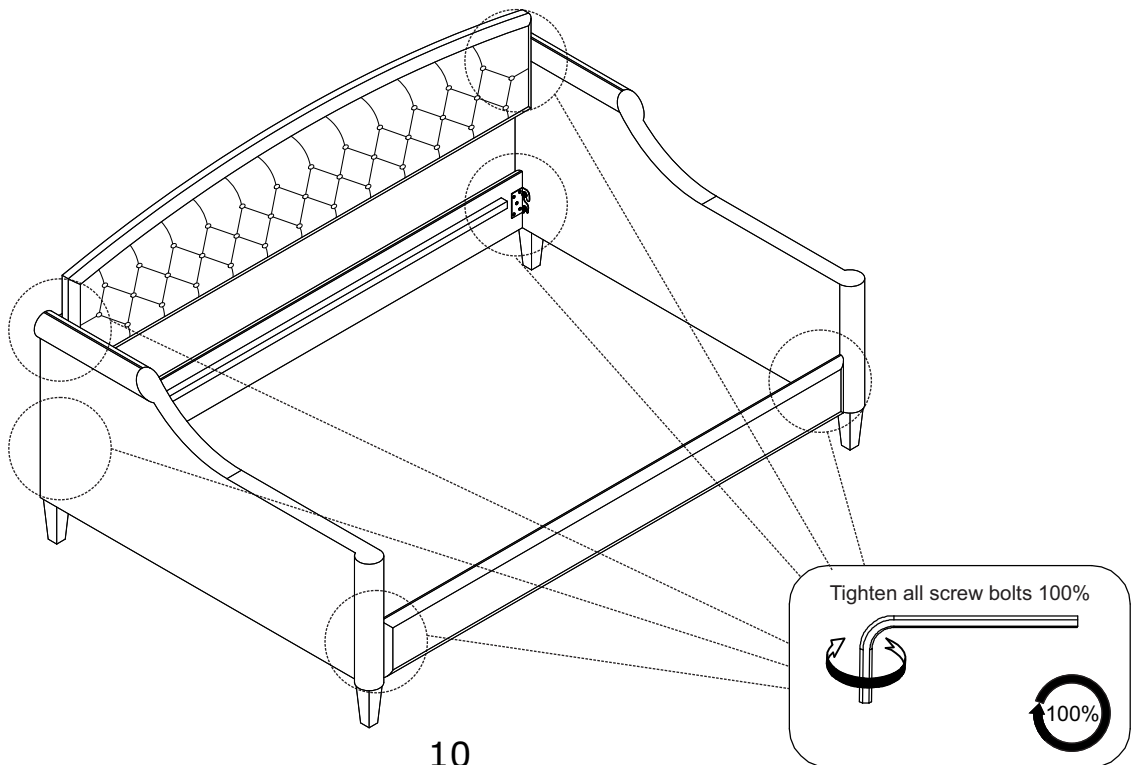
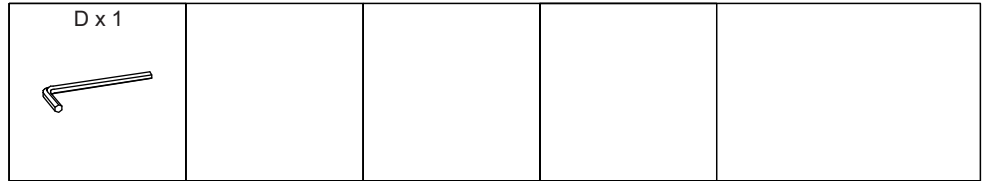
STEP 8



STEP 9



STEP 10



STEP 11

E x 20

