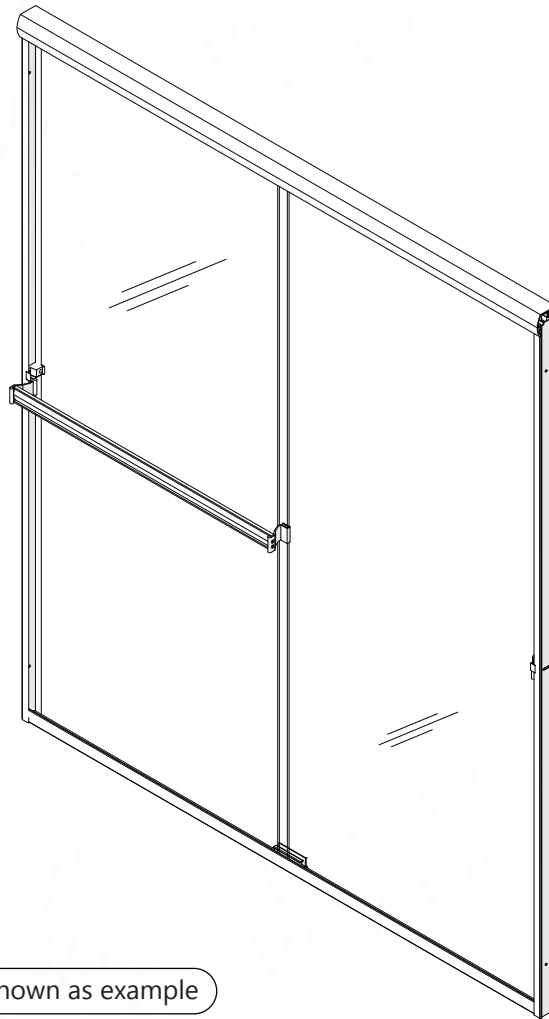




ALLIANCE PRO BGX

SHOWER & TUB DOOR INSTALLATION INSTRUCTIONS

PLEASE REVIEW THIS ENTIRE MANUAL PRIOR TO INSTALLATION



Right side shower head installation shown as example

Alliance Pro BGX

MODEL #s:

SDAB60W700VXX01
SDAB60W700VXX04
SDAB60W700VXX06
SDAB60W700VXX09

Available in:

01 - Chrome
04 - Brushed Nickel
06 - Oil Rubbed Bronze
09 - Matte Black

IMPORTANT!

DreamLine® reserves the right to alter, modify or redesign products at any time without prior notice for the purpose of product improvement and customer experience. Please refer to the model's web page on **DreamLine.com** for the latest technical drawings, installation manuals, warranty information or additional product details.

Do Not Return Product to the Store. Contact DreamLine® with any questions



Questions?

Please contact DreamLine Customer Support
See **DreamLine.com** for hours of operation

Support@DreamLine.com

1-866-731-2244





© 2024
All Rights Reserved

© 2024
All Rights Reserved

Record the following purchase information for your records or in the event you need to contact DreamLine®:

Purchase Order
Number _____

Store/Vendor
Purchased From _____

Installation Date _____

OD Number
(optional) _____
*found on the shipping box or label
if available.


Installed By: _____


SKU Number _____


Table of Contents


Section Title	Page #
Important Product Information	2
Model Specific Preparation	3
Tools	4
Detailed Diagram of Alliance Pro BGX Components	5
Item List	6-7
Installation Steps	8-22
Product Maintenance	23
Troubleshooting	24
Factory Parts Information	25


Symbol Legend

 **TIP** - for ease of installation.

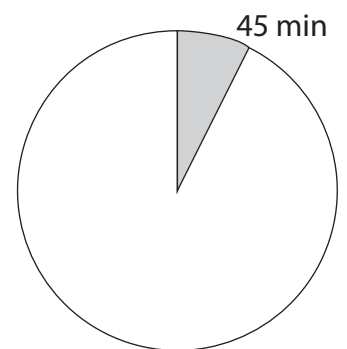
 **CORRECT** - recommended.

 **NOTE** - take note of special feature; additional information.

 **INCORRECT** - not recommended.

 **REQUIRED** - requires special attention; signifies a warning.

Average Installation Time





IMPORTANT

- DreamLine® reserves the right to alter, modify or redesign products any time without prior notice for product improvement and customer experience. Please refer to the model's web page on DreamLine.com for the latest technical drawings, installation manuals, warranty information or additional product details.
- This product should be installed by someone familiar with the construction requirements for this type of project and the care necessary for the safe installation and operation of the product.
- The safety of any installation is the responsibility of the installer.
- Professional installation recommended. (*All Models*)
- Professional installation required. (*Enigma Series*)
- To prevent damage or serious injury: Do Not lean against the installed panel/door/glass.
- To prevent damage or serious injury: Do Not attempt to lift or move a heavy lite of glass alone. Use an assistant and/or a professional grade glass suction cup.
- The installation of some models may require drilling down into the threshold. Contact the manufacturer of the base, tub, or threshold material with any questions regarding the drilling of holes into their product.
- All drawings in this installation manual are for illustrative purposes only and are not drawn to scale.

TEMPERED GLASS WARNING

- Your Shower Door Glass Could Shatter Without Warning if Improperly Installed or Mishandled
- Do Not install or operate a shower door if the glass has chipped corners, slivered edges or is otherwise damaged and/or has been dropped or banged into a hard surface such as tile, marble or glass.
- **The main causes of tempered glass breakage are:**
 - Improper handling, storage or installation
 - Misuse/abuse
 - Lack of maintenance
 - Failure to replace damaged glass
 - **Improper handling during storage, unpacking and installation:**
 - Corners and edges are the most susceptible area to damage on a lite of tempered glass and should be protected and handled with care during storage, unpacking, installation and operation. A concentrated point of pressure or impact with a surface harder than itself may cause the tempered glass to shatter. The tempered glass may release immediately, within several hours or even days later.
 - **Incorrect installation of door hardware, rollers, hinges, channels, stopper or glass:**
 - Improper installation may include: loose hardware and/or lack of proper gaskets between the hardware and glass. Additionally, improper alignment of guide rails, wall profiles or other hardware during installation or operation may place stress on the glass edges and cause it to break.
 - This product must be installed by a professional and experienced installer familiar with the safe handling of tempered glass.
 - **Improper use of this product:**
 - Aggressively opening or closing the door may cause trauma to the glass, which can lead to breakage. This may occur immediately or hours or even days later.
 - **The shower door hardware and glass should be inspected periodically:**
 - Instruct the homeowner how to perform a periodic inspection of the shower hardware and glass - some minor adjustments may be necessary based upon the use (or misuse) of the shower door. Ensure that the hardware remains tight and that the door alignment and operation are correct. Any adjustments should be made upon discovery to prevent damage to the product.
 - Additional considerations should be given to the installation of frameless tempered glass products in households with young children or an elderly person due to an increased chance of improper handling. In such cases, alternatives such as shower curtains or grab bars should be considered.

GENERAL PREPARATION

- After opening all boxes and packages, read this introduction carefully. Check that all the items are included in the package by marking off the components on the "**Detailed Diagram of Product Components**" page. Examine all boxes and packages for shipping damage. If the unit has been damaged, has a finishing defect, or is missing parts; please contact our Customer Support department within 3 business days of the delivery date. **Please note that DreamLine® will not replace any damaged products or missing parts free of charge after 3 business days or if the product has been installed.** Please contact DreamLine® if you have any questions.
- **Please note that you should refer to your local building codes with questions on installation compliance standards. Building and plumbing codes may vary by location, and DreamLine® is not responsible for code compliance standards for your project and will not accept any returns.**
- If this unit is going to be installed in a new construction, install all the required plumbing and drainage before installing the shower. **Use a competent and licensed (if required by local code) plumber for all plumbing installation.**
- Make sure that prior to beginning the installation, the surfaces are leveled and solid and will be able to support the total weight of the unit. Also make sure the walls are at right angles. Irregular installation surface level, radius corners or improper angle of side walls will result in serious problems for your installation. Please note that some adjustments and drilling will be necessary during the installation process.
- Protect all primary surfaces of the product during installation. Never set your glass down directly onto a tile floor. Leave corner protectors in place until it is necessary to remove them. Always use a piece of wood or cardboard to protect the bottom edge and corners of the glass prior to and during installation.
- This unit must be installed upon a finished threshold and against finished walls.
- *DreamLine® shower doors are not designed to be installed into a fiberglass surround due to the radius corners and lack of a solid surface to mount the hardware.*

WARNING: TO AVOID THE RISK OF DAMAGE OR INJURY:

- **Follow all recommendations and requirements as shown in the installation instructions.**
- Perform a thorough inspection of the glass and all parts for any damage prior to installation. Any damage to tempered glass can cause breakage. **Do Not install damaged glass!**
- Do Not install or operate a shower or tub door if the glass has chipped corners, slivered edges or is otherwise damaged. Do Not install or operate a shower or tub door that has been dropped or banged into a hard surface such as tile, marble or glass.
- **CAUTION:** Contact with any hard surface can damage tempered glass and cause it to shatter.
- This product uses tempered glass. Glass cannot be cut after it has been tempered. **Do Not attempt to cut tempered glass.**
- DreamLine® Glass Shower doors, Tub doors, Inline panels, and Return panels can shatter due to improper handling or lack of maintenance. Conduct periodic inspections of glass and all parts for possible damage, missing or loose parts.
- Always wear proper safety equipment such as: safety goggles, work gloves and appropriate footwear during the installation process.
- **WARNING. Risk of leakage and/or damage.** Follow all instructions regarding the application of silicone sealant or caulk. Allow 24 hours for the sealant to cure before the initial use of the shower or tub product. Follow the silicone manufacturer's recommendations regarding the use of their product.
- **Thoroughly read these instructions before installing or using this product.**
- **Leave this manual for the end-user of the product.**



This product should be installed by someone familiar with the construction requirements for this type of project and the care necessary for the safe installation and operation of the product.

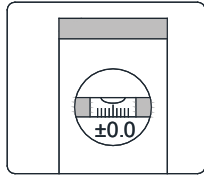


Model Specific Preparation

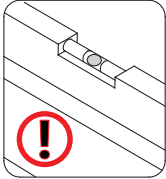


REQUIRED:

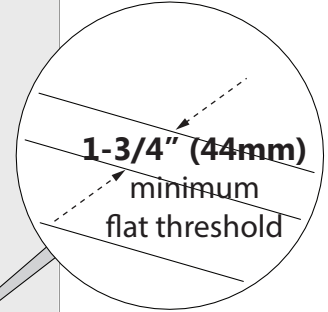
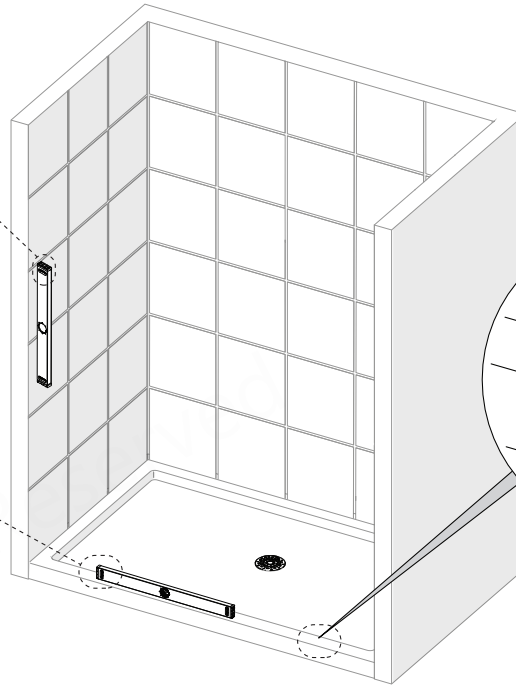
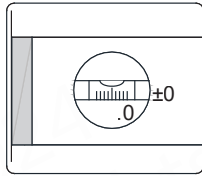
1/4" Out-of-Plumb Adjustment; Verify threshold and walls with a level



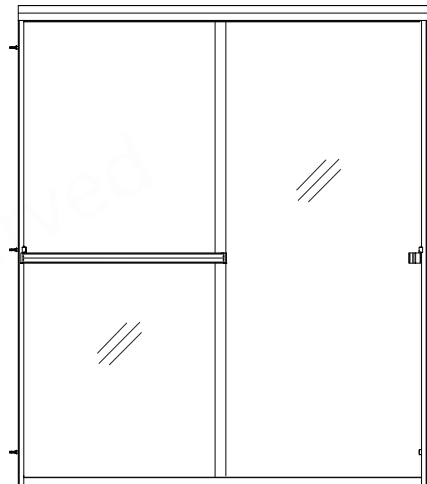
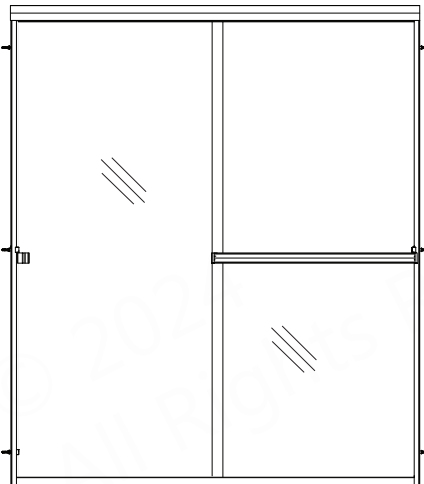
Threshold must be level



Threshold must be level



This door is reversible. The inside door glass can be installed on either side of the shower, and should always be installed on the shower head side of the shower to avoid leaking between the doors. The two doors are identical but the rollers are installed differently on each.



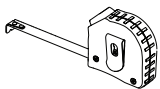
DO NOT attach the handle or towel bar to the door glass until instructed.
DO NOT attempt to use the handle to lift the door glass during installation.

This may result in damage to the glass and/or serious injury. Always use a professional grade glass suction cup and an assistant.

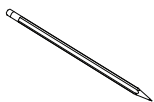
Tools



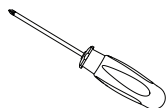
4-Foot Level



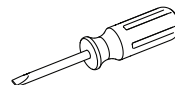
Tape Measure



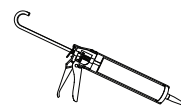
Pencil



Phillips
Screwdriver



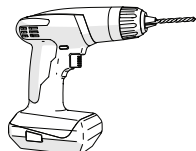
Flat-head
Screwdriver



Caulk gun with
clear, mold-resistant
Silicone



Screw Gun
or Impact Driver
w/ #2 Phillips bit



Power
Drill



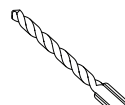
Drill Bit
Ø1/8"
(3mm)



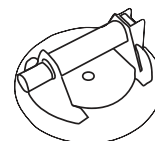
Drill Bit
Ø9/64"
(3.5mm)



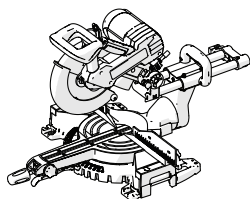
Drill Bit
Ø3/16"
(4mm)



Drill Bit
Ø5/16"
(8 mm)



Professional-grade
Glass suction cup



Compound Miter Saw
with Blade for Metal



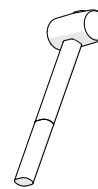
Razor Knife



Safety Glasses



Work Gloves



Rubber Mallet



Metal File



Unpack your unit carefully and inspect it. Lay it out and identify all parts using the **Detailed Diagram** on page 5; and packing list in this manual as a reference. Before discarding the carton, check for small hardware bags that may have fallen to the bottom of the box. If any parts are damaged or missing, please contact DreamLine® for replacement. The shipping boxes may contain extra parts not used in your model configuration. Retain these installation instructions for future reference.



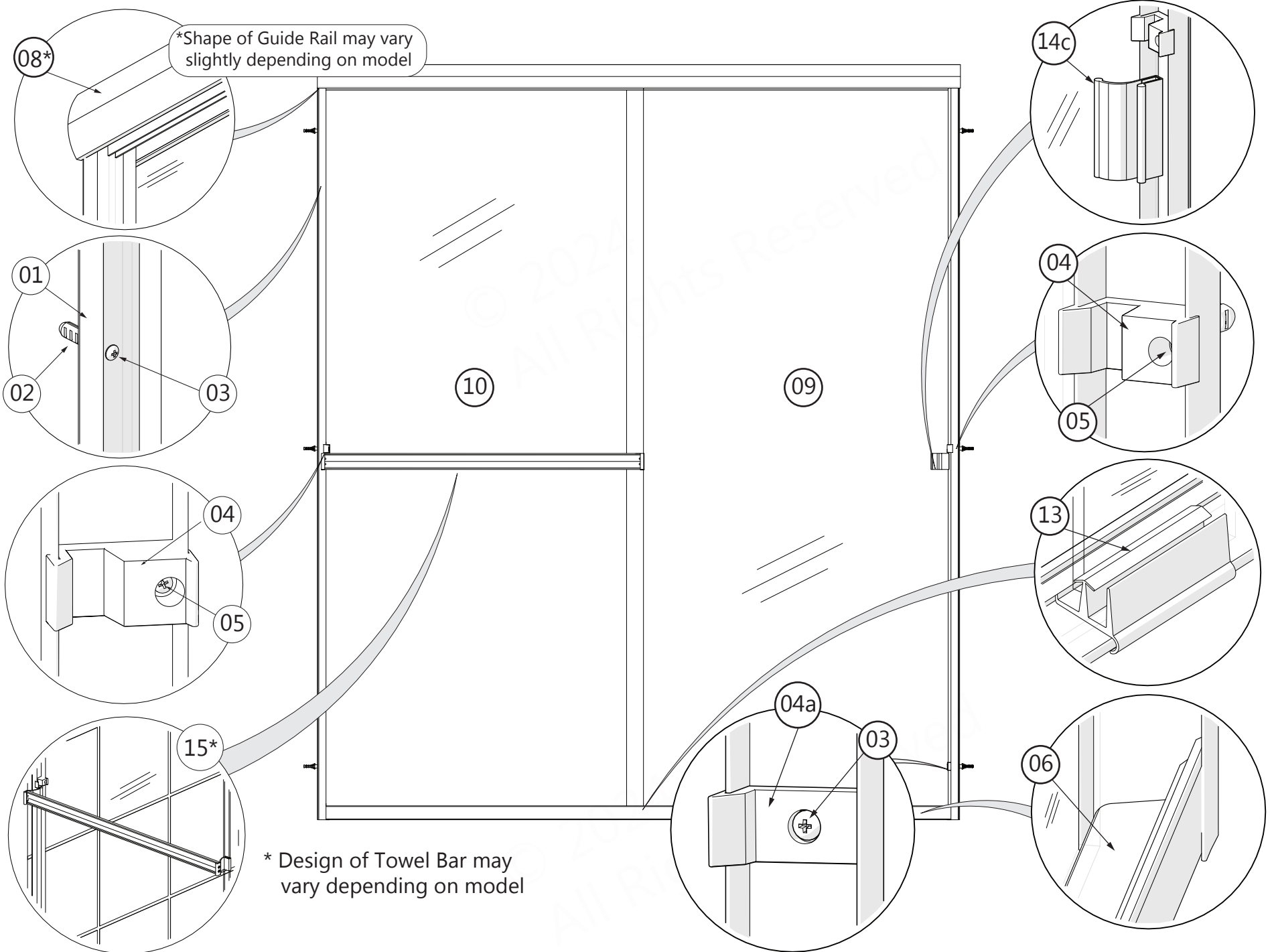
Verify that the correct model size has been ordered; measure the finished opening **before** proceeding with the installation.

Confirm that the finished walls are plumb and the threshold is level and pitched into the shower area.

Use a good quality waterproof, mildew-resistant 100% silicone caulk.

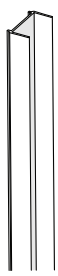
Cover the shower/tub drain with tape prior to installation to prevent the loss of screws or small parts.

Detailed Diagram of Alliance Pro BG Door Components



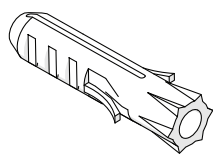
Item List

01



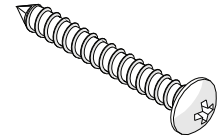
Wall Profile **x2**

02



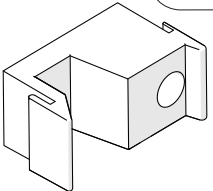
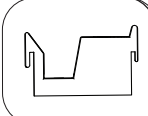
Wall Anchor **x6**

03



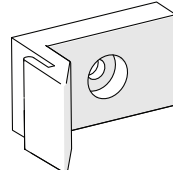
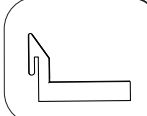
ST 4.2 x 35 mm
Truss Head Screw **x6**

04

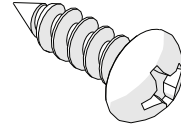
Bumper **x2**

04a

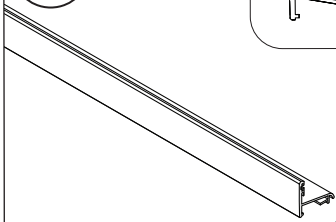

Bottom Bumper **x1**

05



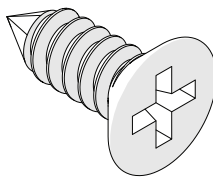
ST 4.0 x 14mm
Pan Head Screw **x2**

06

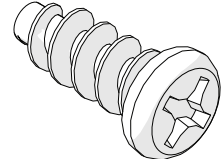
Bottom Profile **x1**

07



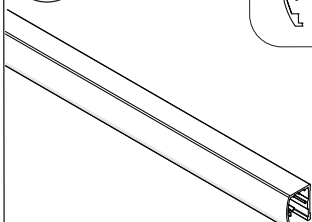
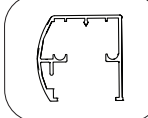
ST 4.2 x 10 mm
Pan Head Screw **x4**

07a



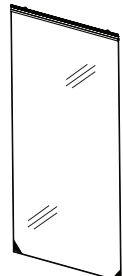
ST4.0x10mm
Pan Head Screw **x3**

08

Guide Rail **x1**

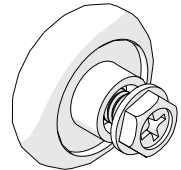
09
10



Inside & Outside
Door Glass **x2**

(Doors are identical)

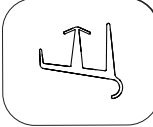

11



Roller Wheel
and Bolt **x4**

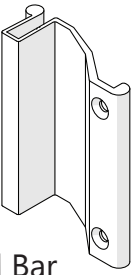
Item List

13



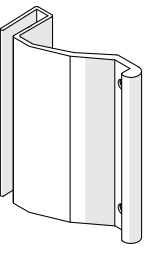
Center Guide **x1**

14a



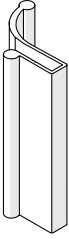
Towel Bar
Bracket w/Pull **x1**

14b




Towel Bar Bracket **x1**

14c



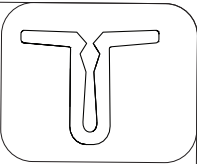

Pull Handle **x1**

15



Towel Bar **x1**

16



Anti-Jump Insert **x2**

Installation Steps

1

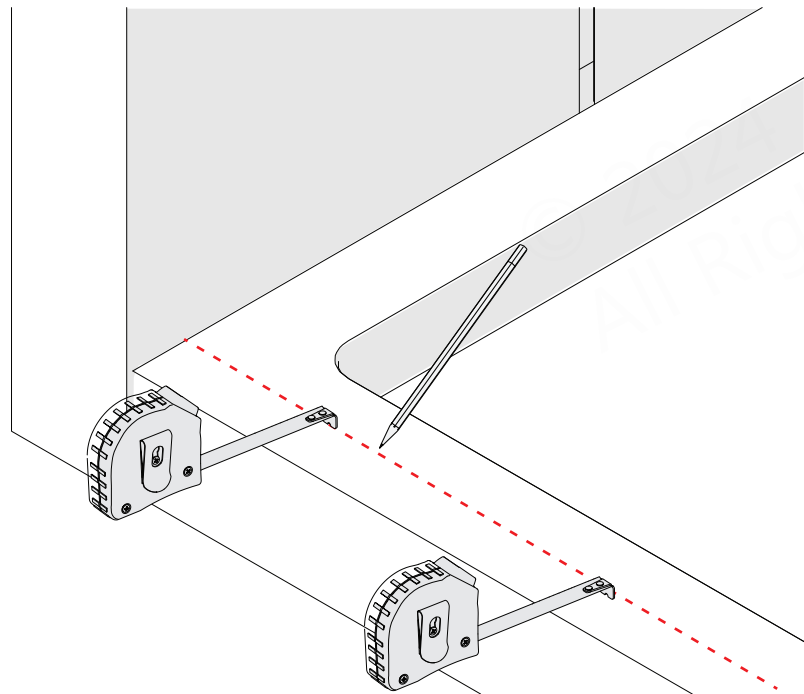


Fig 1a

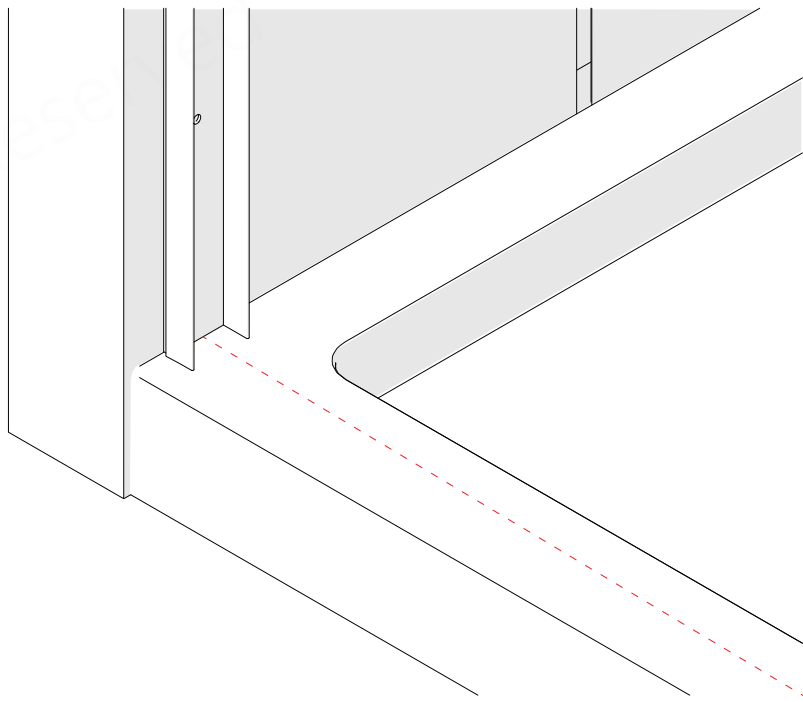
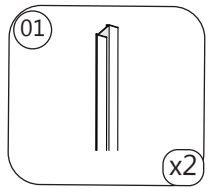


Fig 1b

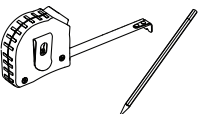
NOTE

Locate and mark a center line on the threshold or tub deck. **Fig 1a** Extend the mark across to both walls. Center the bottoms of both Wall Profiles on the center line. **Fig 1b**

Parts Needed



Tools Needed



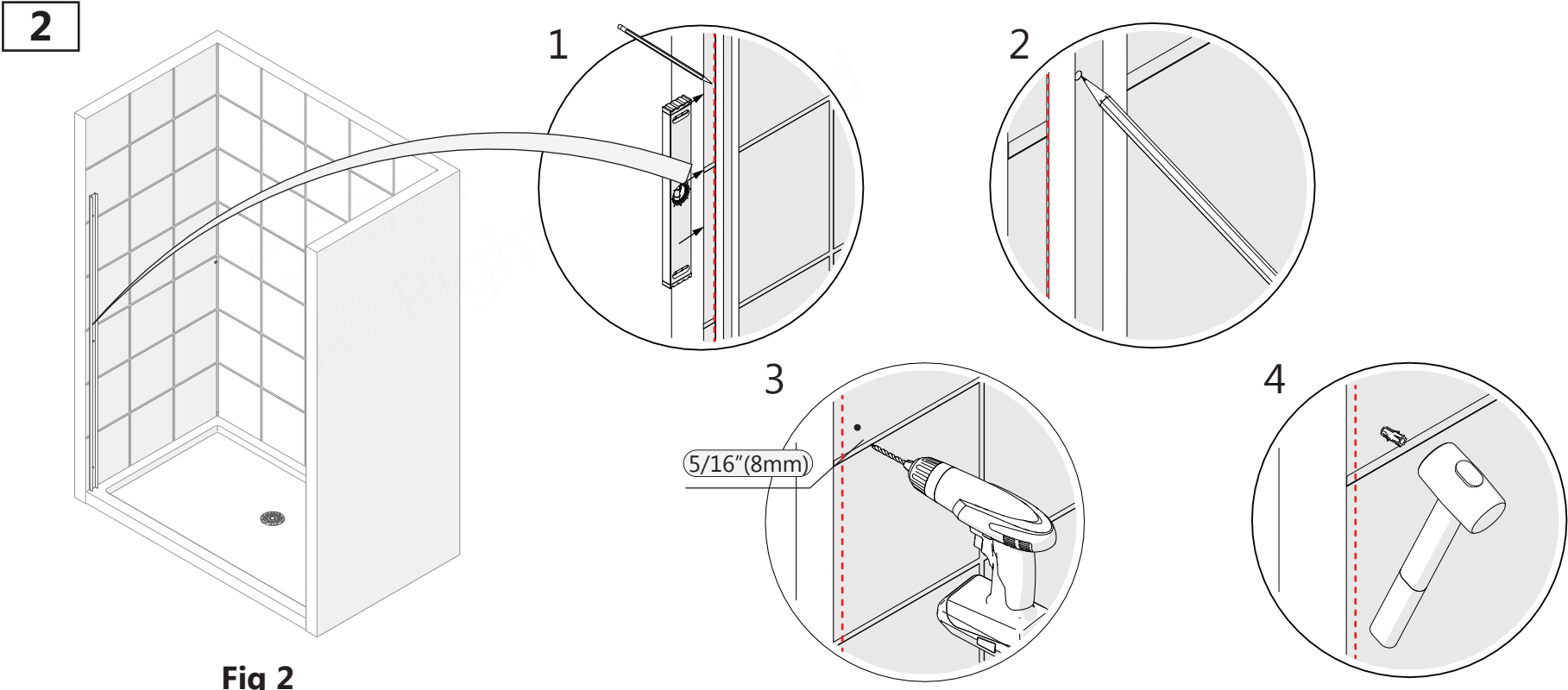


Fig 2



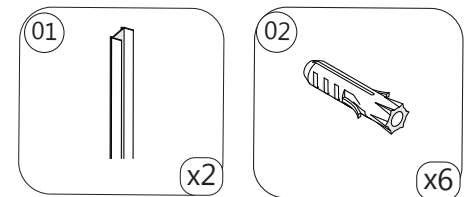
Level (plumb) both **Wall Profiles (#01)**, mark their position and mark the holes for drilling. Drill three **Ø 5/16" (8mm)** holes on each side wall and insert the **Wall Anchors (#02)**. **Fig 2**

If a stud is present behind the wall: Drill a **Ø9/64" (4mm)** hole up to the stud, then drill a **Ø1/8" (3mm)** pilot hole in the wood.



Be sure all pilot holes are the correct size. Always use low torque and steady pressure when securing stainless steel screws to avoid stripping or breaking off the screw heads.

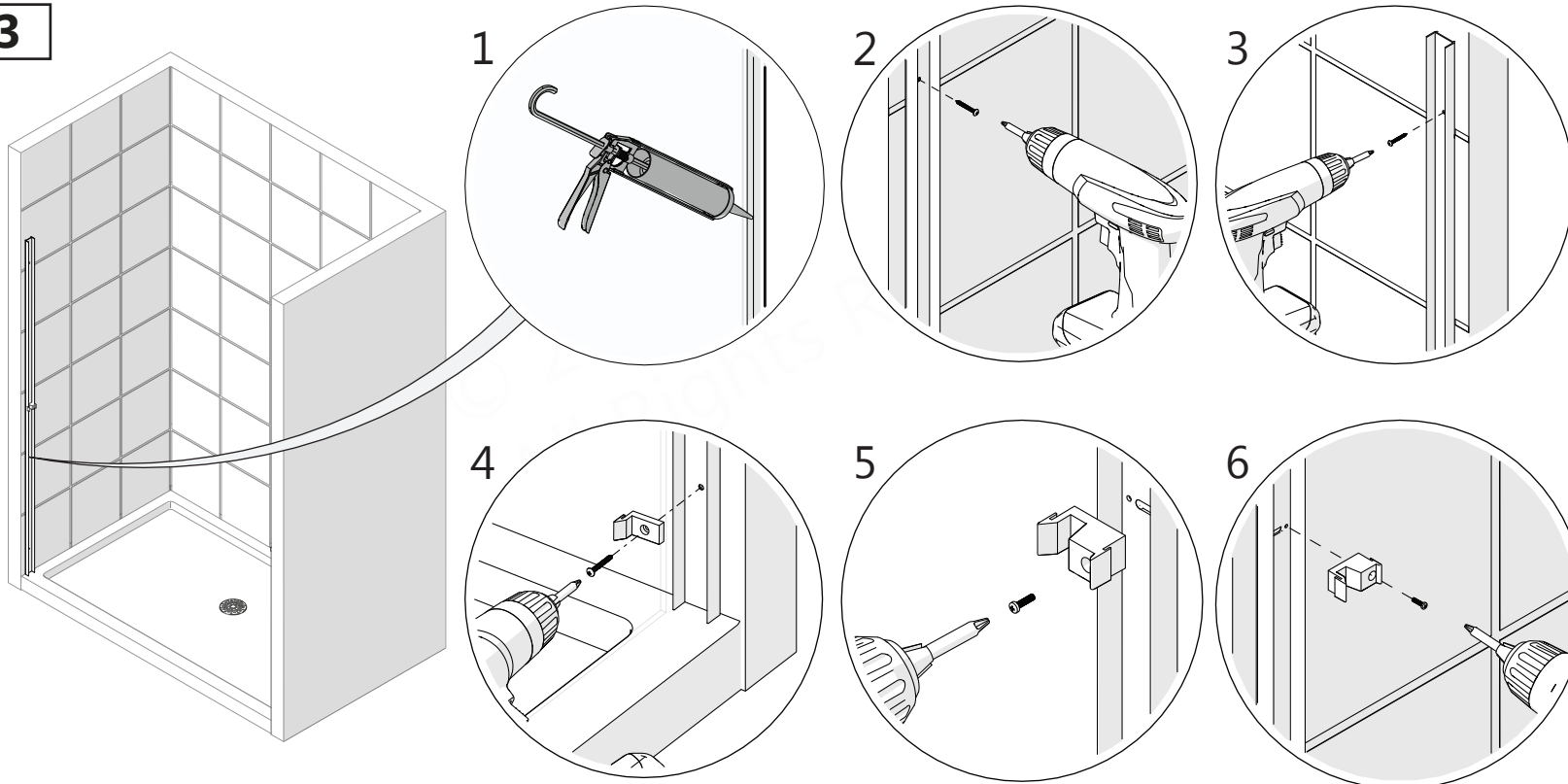
Parts Needed



Tools Needed



3



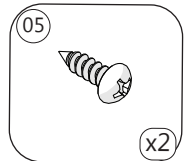
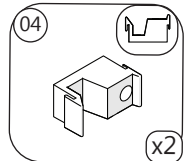
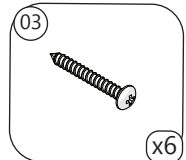
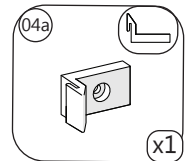
Right-side shower head installation shown as example

Fig 3



Use the **#03 Screw** for all six holes in the **Wall Profiles**, making sure to include the **Bottom Bumper** (See Fig 3.4) The two **Top Bumpers** install with the **#5 screw** after the **Wall Profiles** are installed.

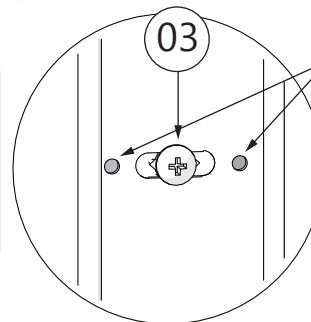
Parts Needed



Apply silicone to the backs of the **Wall Profiles** (#01), then install the **Wall Profiles** using the **ST4.2 x 35mm Truss Head Screws** (#03). The **Bottom Bumper** (#04a) (Fig 3.3) is also installed using the **ST4.2 x 35mm Truss Head Screws** (#03) while installing the **Wall Profile** (#01) on the shower head side of the shower. Install it in the lowest screw hole on the **Wall Profile** (#01). The remaining **Bumpers** (#04) are installed after both **Wall Profiles** (#01) are installed. The two upper **Bumpers** (#04) are installed using the **ST4.0 x 14mm Pan Head Screw** (#05). Fig 3



Note the opposite orientation of the two upper **Bumpers** (#04). The bumper slot for the **Inside Door Glass** (#09) faces the inside of the shower on the shower head side. Fig 3.4 The bumper slot for the **Outside Door Glass** (#10) faces the outside of the shower on the opposite wall. Fig 3.5

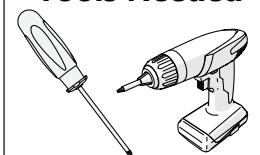


Reversible Screw holes for two upper **Bumpers** (#04)



Apply dish soap to the screw threads and use a Phillips screwdriver to install screws to avoid stripping the screws

Tools Needed



4

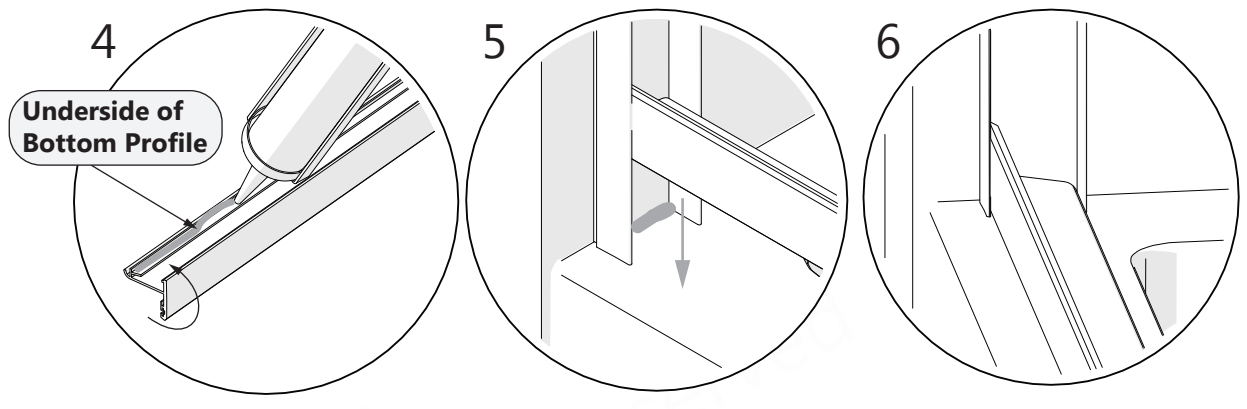
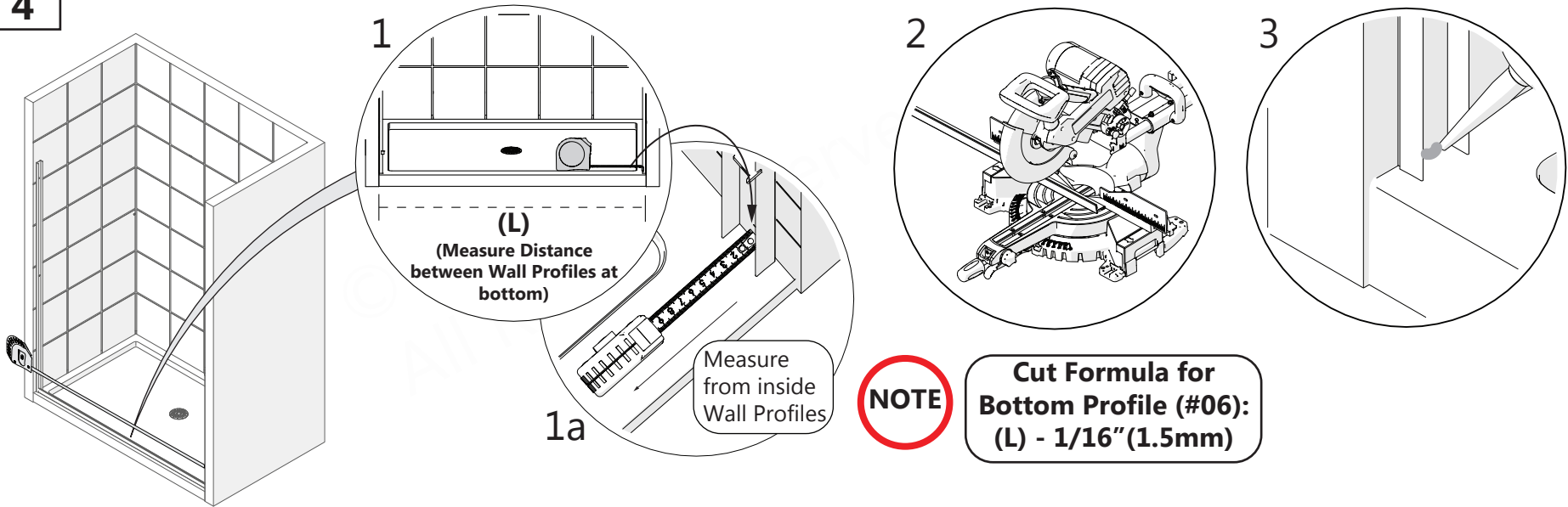
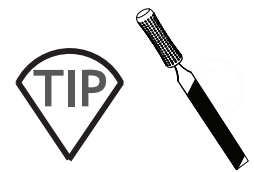
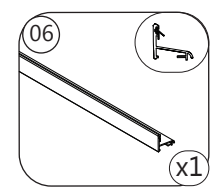


Fig 4

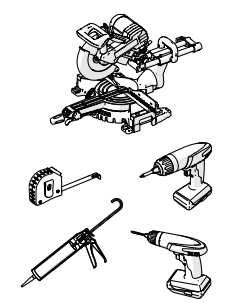


Use a metal file to remove any burrs from the **Guide Rail (#08)** or **Bottom Profile (#06)** after cutting.

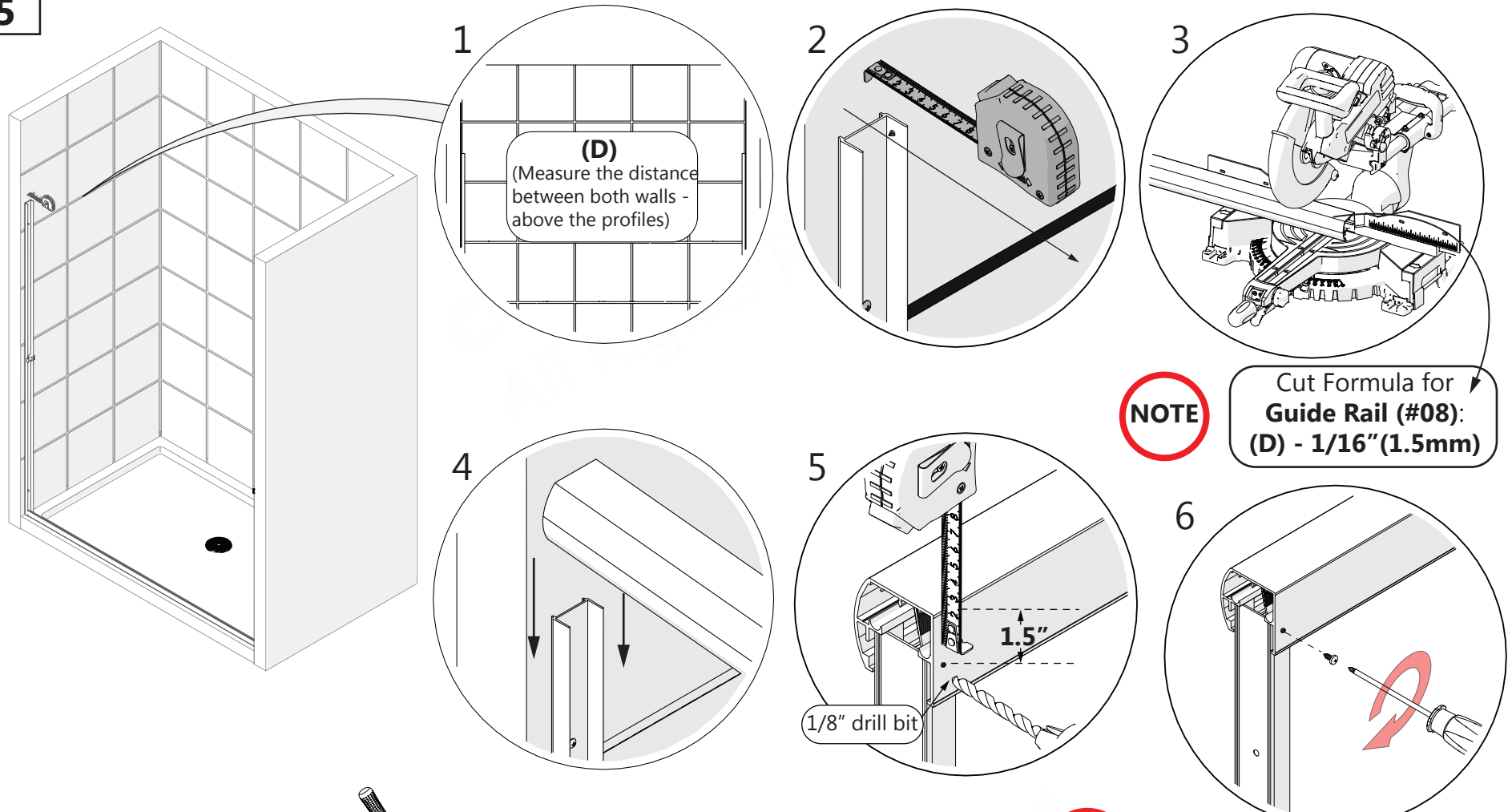
Parts Needed



Tools Needed



5



(D)
(Measure the distance between both walls - above the profiles)

NOTE
Cut Formula for Guide Rail (#08):
(D) - 1/16" (1.5mm)

1/8" drill bit

NOTE
Secure both sides with **ST4.0 x10mm Screws (#07a)**

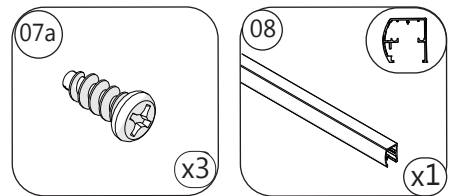
TIP



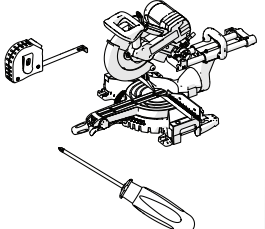
Use a metal file to remove any burrs from the **Guide Rail (#08)** or **Bottom Profile (#06)** after cutting.

Fig 5

Parts Needed



Tools Needed



6

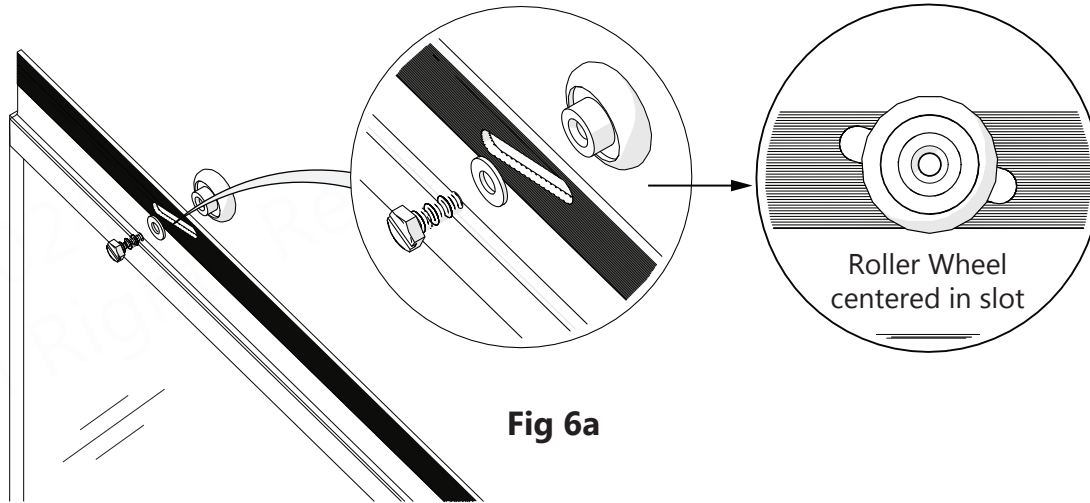


Fig 6a

NOTE

Install all four **Roller Wheels (#11)** at the center of the angled slots on top of both lites of **Door Glass (#09 and #10)** to enable adjustment (if needed). The doors are identical. Use the included **M4 10mm Wheel Bolts** to secure the **Roller Wheels (#11)**. **Fig 6a** Note the reverse direction of the **Roller Wheels (#11)** on the Inside and Outside Door Glass. **Fig 6b**

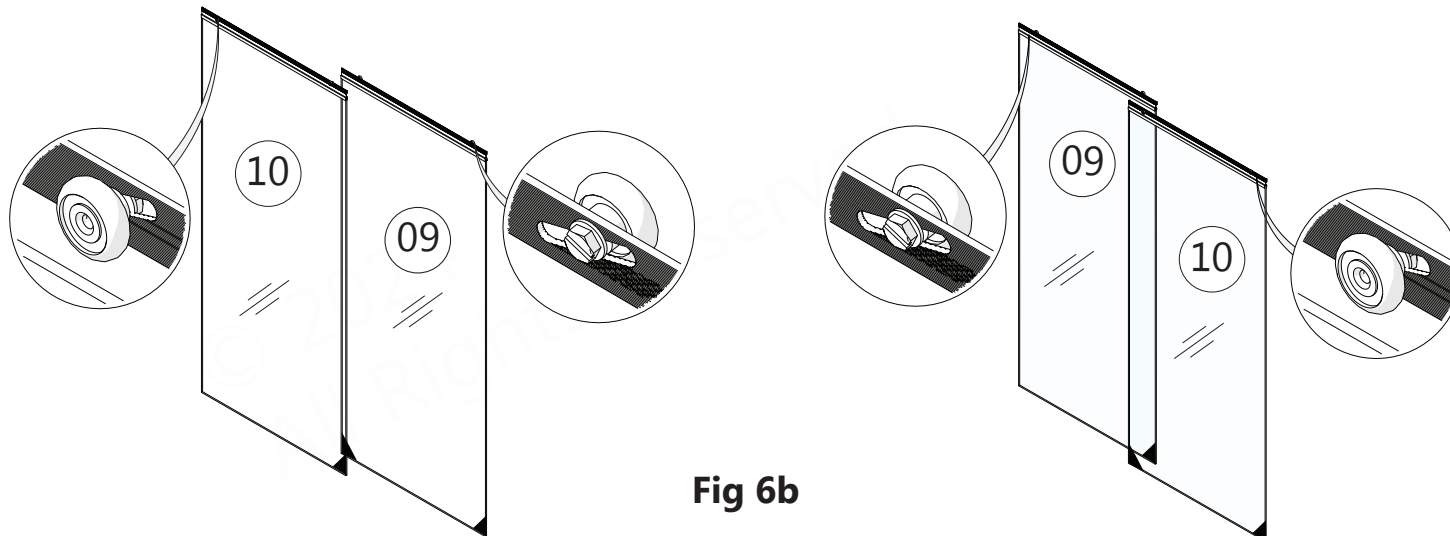


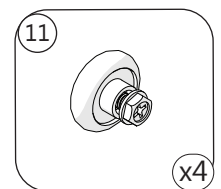
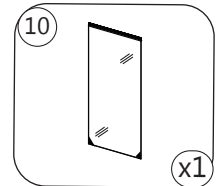
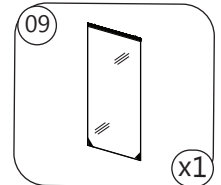
Fig 6b

Right-side shower head installation shown as example

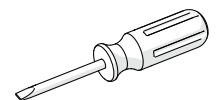
Left-side shower head installation shown as example

(The 2 Glass Doors are identical)

Parts Needed



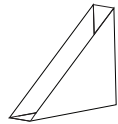
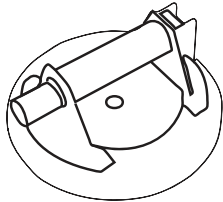
Tools Needed



7



Be extremely careful of the glass edges when handling or moving the door glass. Do not set the glass down on any hard surfaces. Use a glass suction cup when moving glass and leave the corner protectors on the glass until necessary to remove them.



Corner Protector



Important: Place both glass doors in the rear of the shower opening, **Inside Door Glass (#09)** first, followed by the **Outside Door Glass (#10)**. **Be careful to protect the edges of the glass.** Cushion the underside of the glass and between the two glass doors. Be sure that both glass doors and **Roller Wheels (#11)** are oriented in the correct position for installation. **Fig 7**

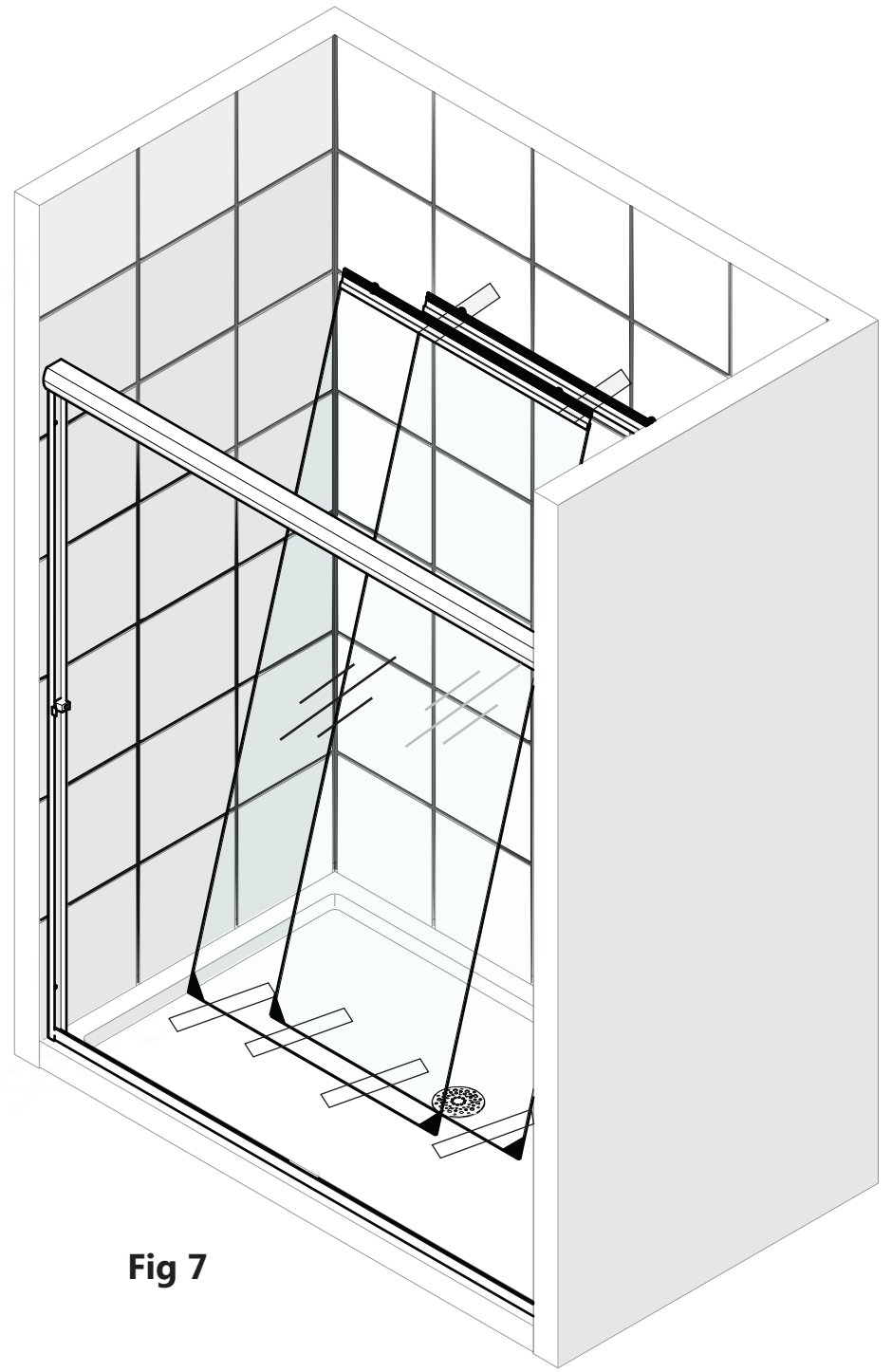
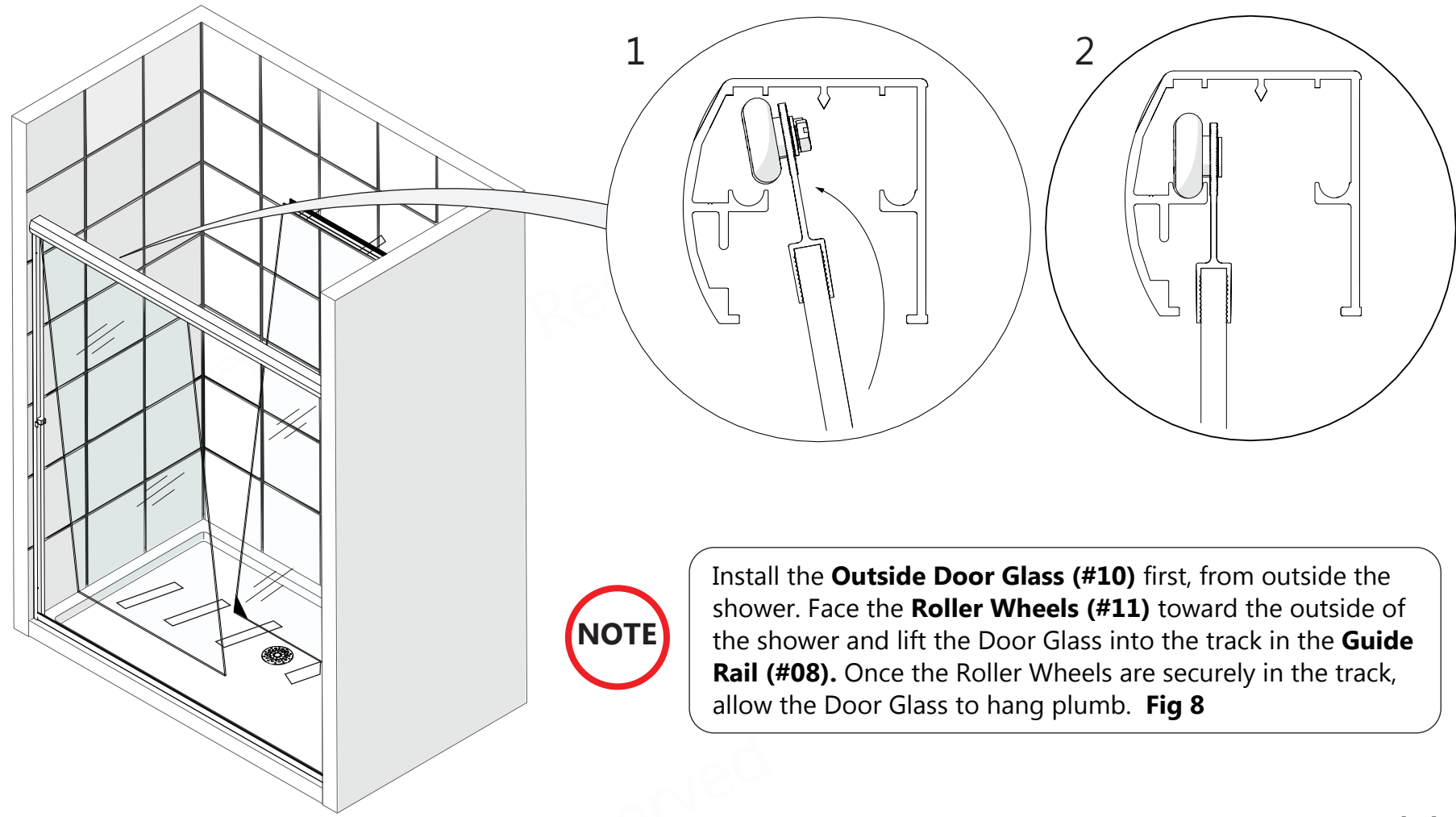


Fig 7

Right-side shower head installation shown as example

8



NOTE

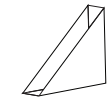
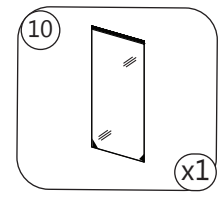
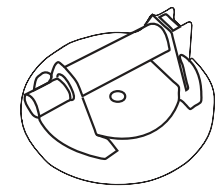
Install the **Outside Door Glass (#10)** first, from outside the shower. Face the **Roller Wheels (#11)** toward the outside of the shower and lift the Door Glass into the track in the **Guide Rail (#08)**. Once the Roller Wheels are securely in the track, allow the Door Glass to hang plumb. **Fig 8**

Fig 8



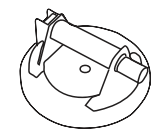
Be extremely careful of the glass edges when handling or moving door glass. Do not set the glass down on any hard surfaces. Use a glass suction cup when moving glass and leave the corner protectors on the glass until necessary to remove them.

Parts Needed



Corner Protector

Tools Needed



9

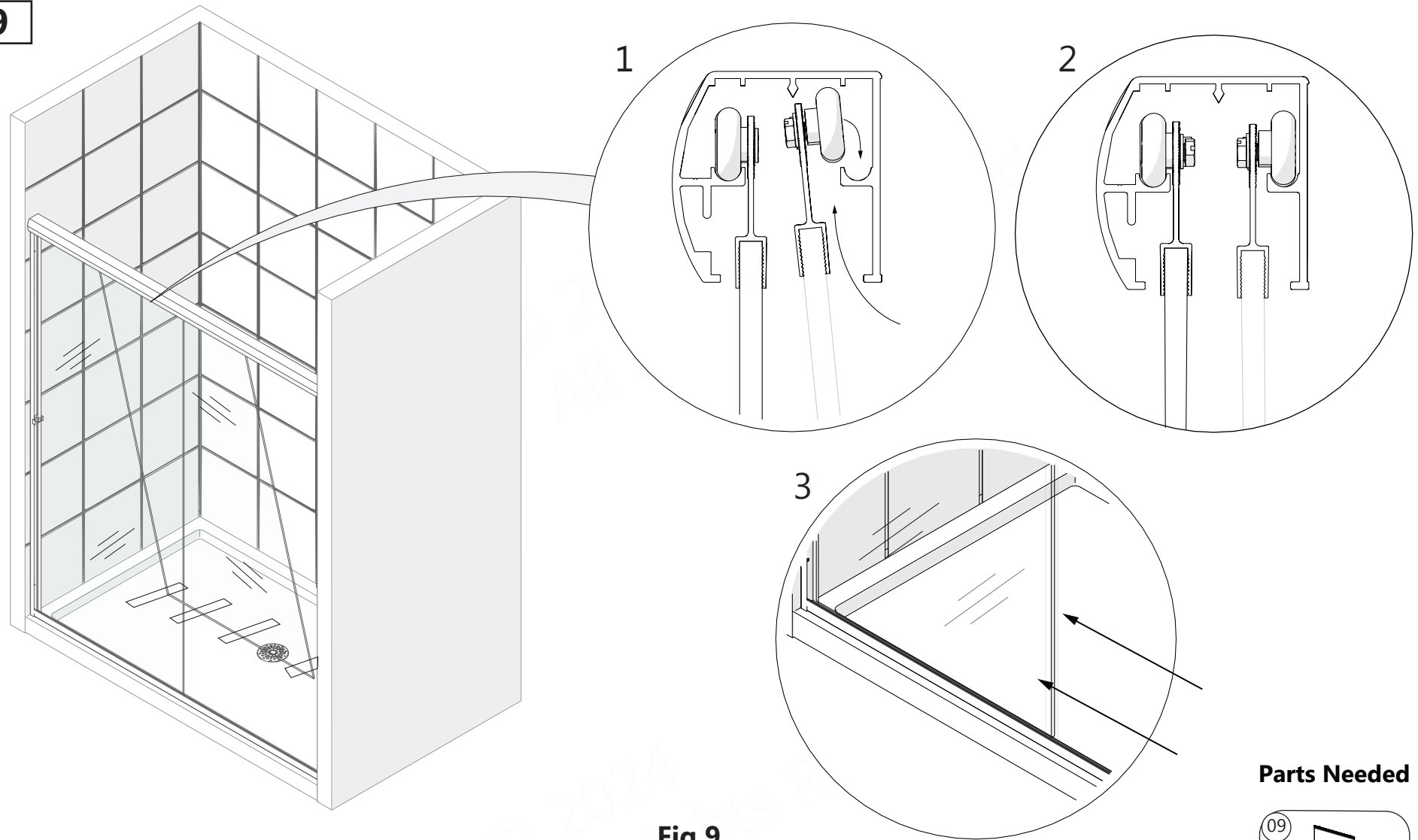
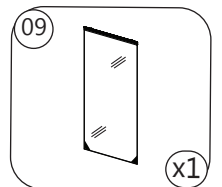


Fig 9

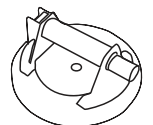
NOTE

From inside the shower, lift the **Inside Door Glass (#09)** (with the Roller Wheels facing the rear of the shower) up into the **Guide Rail (#08)** at an inward angle and place the **Roller Wheels (#11)** into the inside track in the **Guide Rail (#08)**. Allow both doors to hang freely and slide them both to one side of the shower. **Fig 9**

Parts Needed



Tools Needed



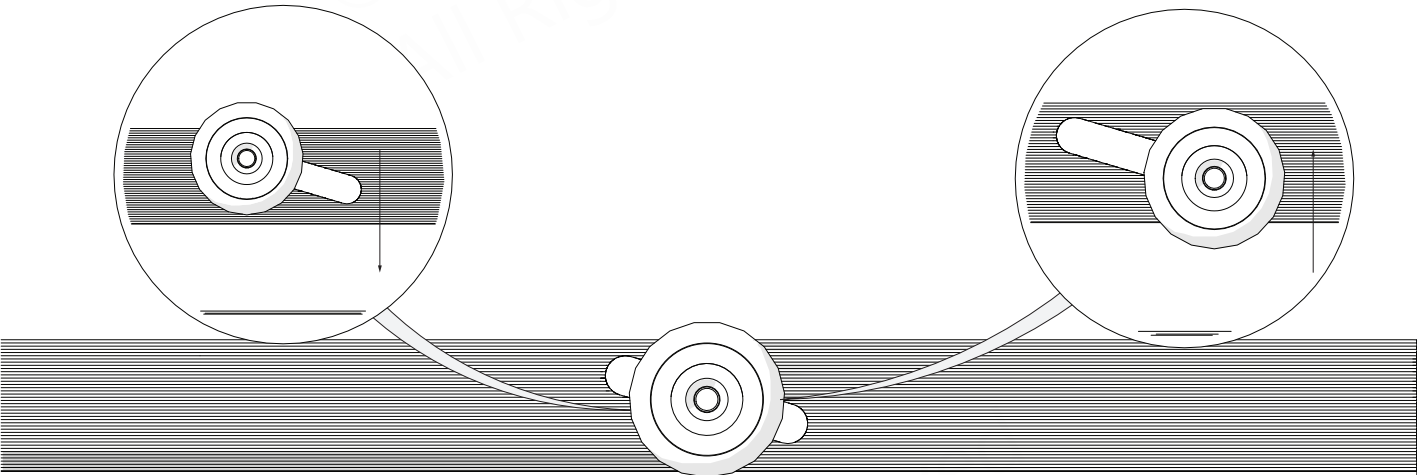
10

NOTE

The **Roller Wheels** can be adjusted to better align the vertical edges of the **Door Glass** with the **Wall Profiles** if needed, to prevent leaks. In order to adjust either side of either door up or down, remove that door from the **Guide Rail (#08)**. Use a helper and be careful to protect the glass edges. Adjusting a Roller Wheel **up (higher in the slot)** will **lower** the door glass, and adjusting a Roller Wheel **down (lower in the slot)** will **raise** the door glass. **Fig 10**

Raise Roller Wheel to **lower Door Glass**

Lower Roller Wheel to **raise Door Glass**



Door Glass

Tools Needed

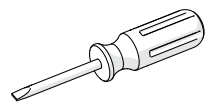
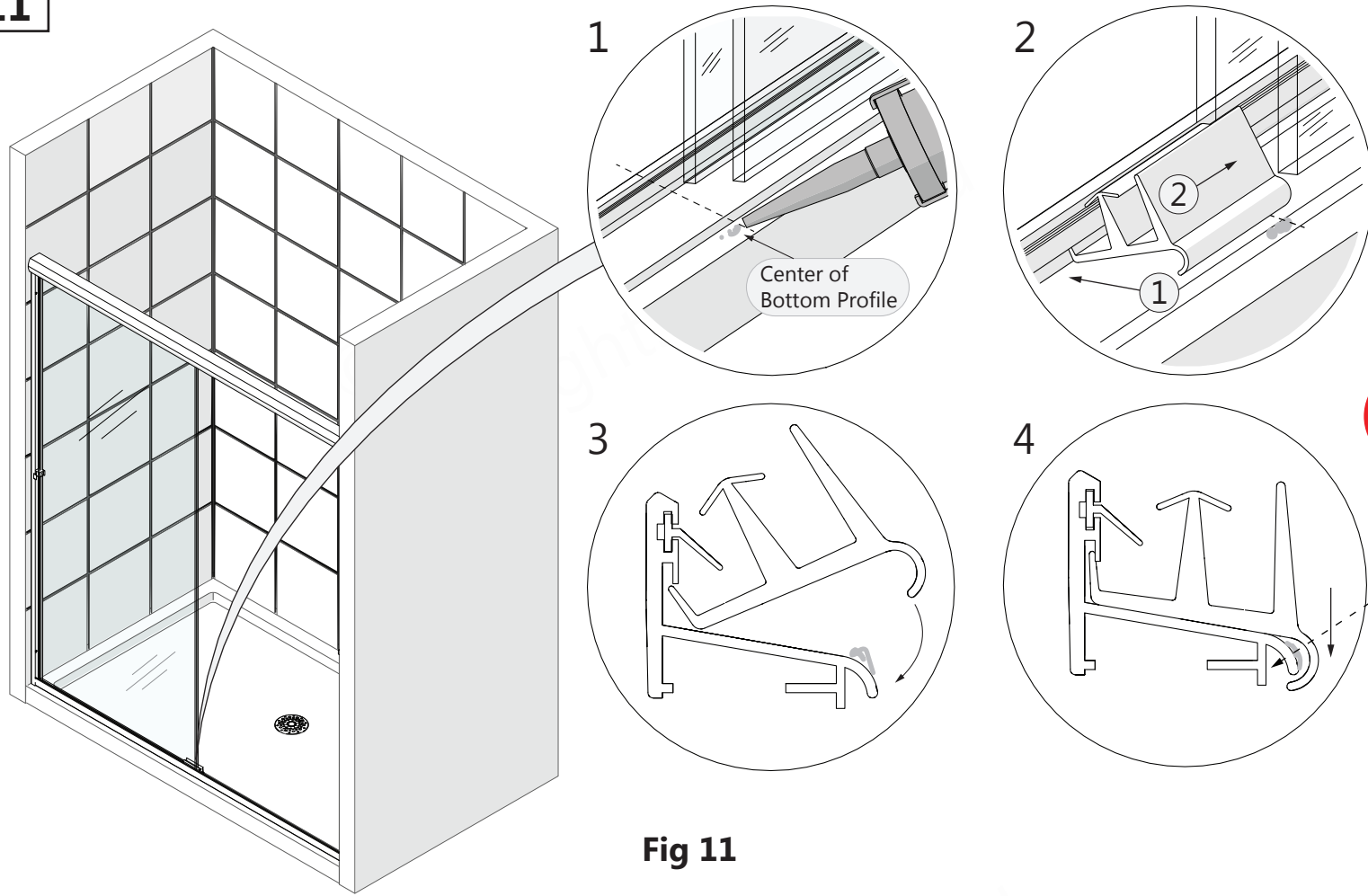


Fig 10

11



NOTE
 Insert front lip in Bottom Profile, slide to center (over silicone) and snap down

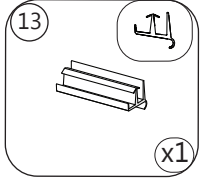
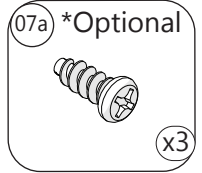
*Optional screw here

Fig 11

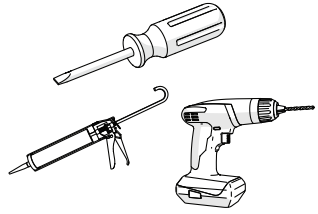
NOTE

Place the **Center Guide (#13)** on the **Bottom Profile (#08)** as shown, to one side of both doors. Insert the front lip of the **Center Guide** into the slot on the inside of the **Bottom Profile** and snap the **Center Guide** down over the inside of the **Bottom Profile**. Move the installed **Center Guide** to the center of the **Bottom Profile**, halfway beneath the door glass. As an option, drill a $\text{Ø } 1/8''$ hole through the **Center Guide** and into the **Bottom Profile**. Install a **#6 x 3/8'' Pan Head Screw (#07a)**. **Fig 11**

Parts Needed



Tools Needed



Right-side shower head installation shown as example

12

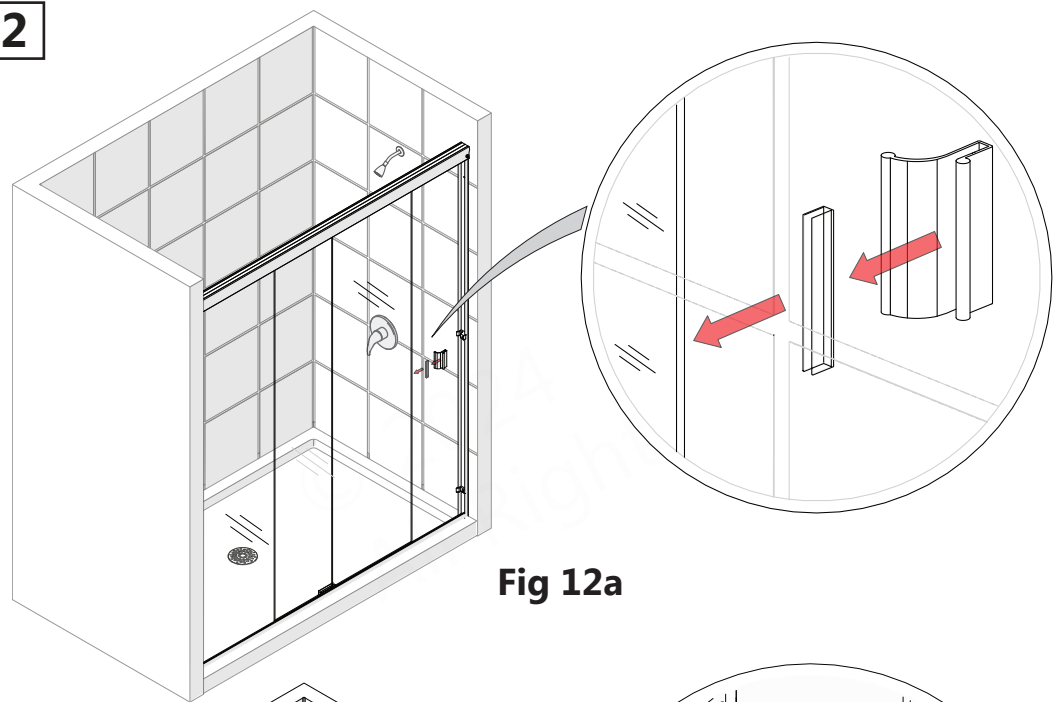


Fig 12a

NOTE

Open the **Inside Door Glass** slightly on the shower-head side and install the **Pull Handle (#14c)** and gasket by pushing them onto the edge of the glass in line with the bumper in the Wall Profile. **Fig 12a**

TIP

Use a mallet to steadily tap the handle onto the glass until set.

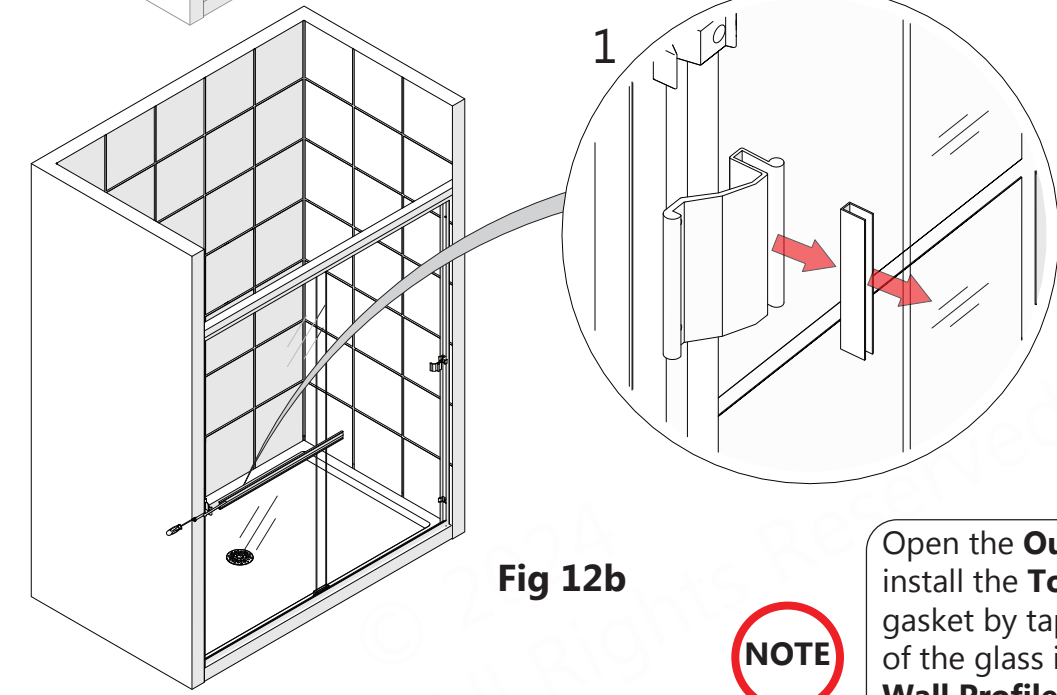
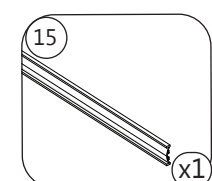
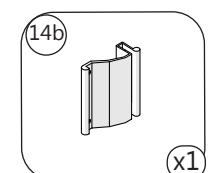
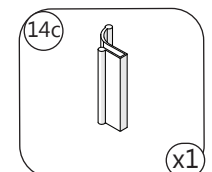
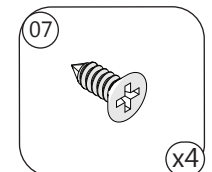


Fig 12b

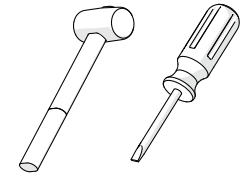
NOTE

Open the **Outside Door Glass** slightly and install the **Towel Bar Bracket (#14b)** and gasket by tapping the bracket onto the edge of the glass in line with the bumpers in the **Wall Profiles**. Then secure the **Bracket** to the **Towel Bar (#15)** using the **ST 4.2 x 10 mm Pan Head Screws (#07)** **Fig 12b**

Parts Needed



Tools Needed

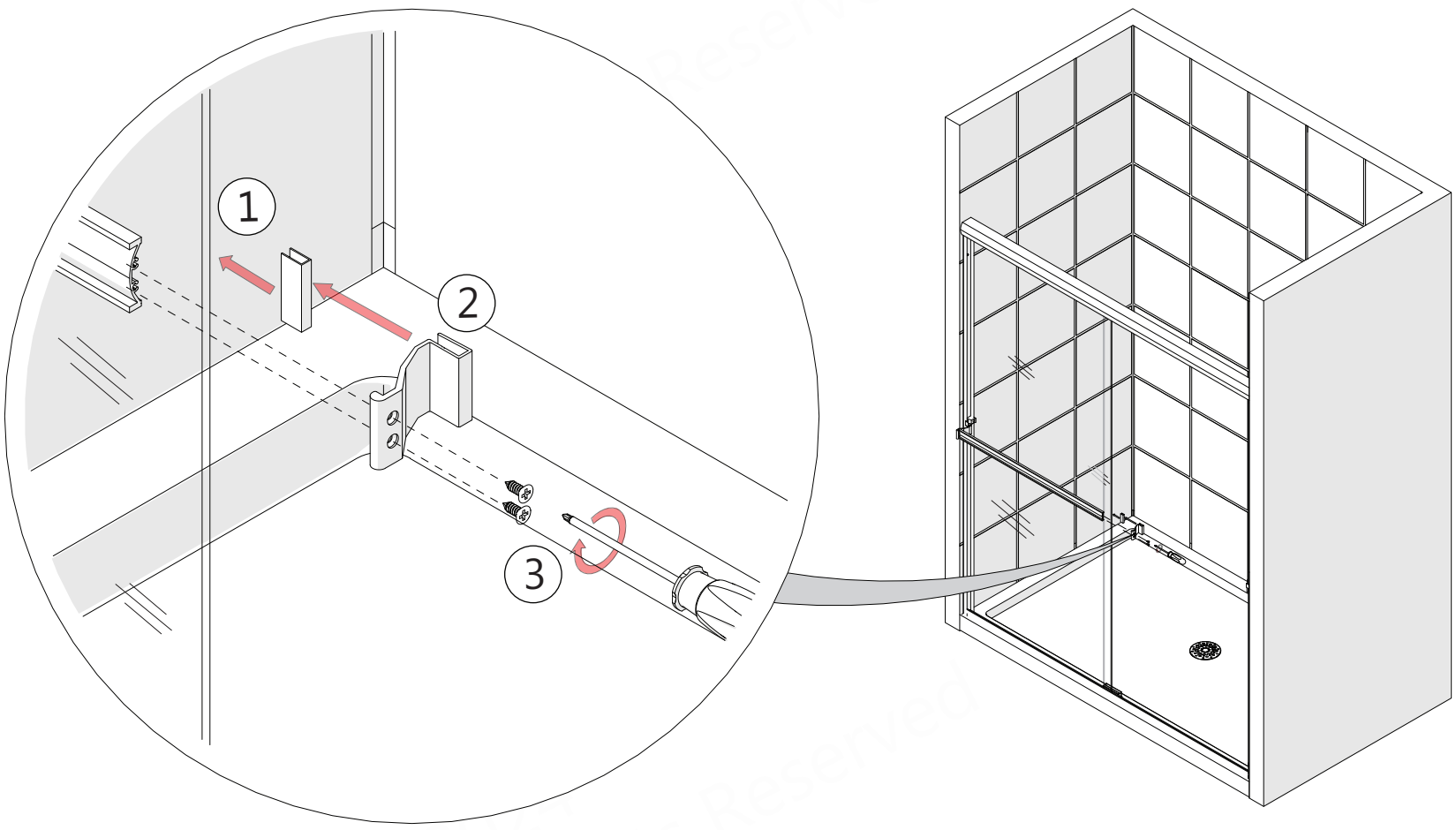


Right-side shower head installation shown as example

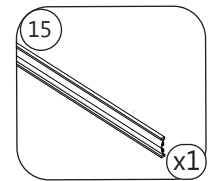
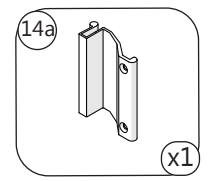
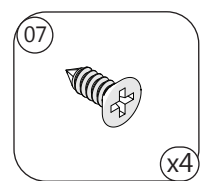
13

NOTE

Install the **Towel Bar Bracket with Pull (#14a)** on the opposite side of the **Outside Door Glass** at the same height as the **Towel Bar Bracket (#14b)** in Step 12 using the **ST 4.2 x 10 mm Pan Head Screws (#07)** **Fig 13**



Parts Needed



Tools Needed

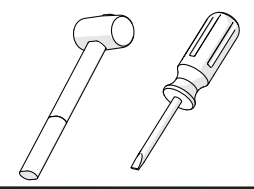


Fig 13

14

Anti-Jump Insert Installation

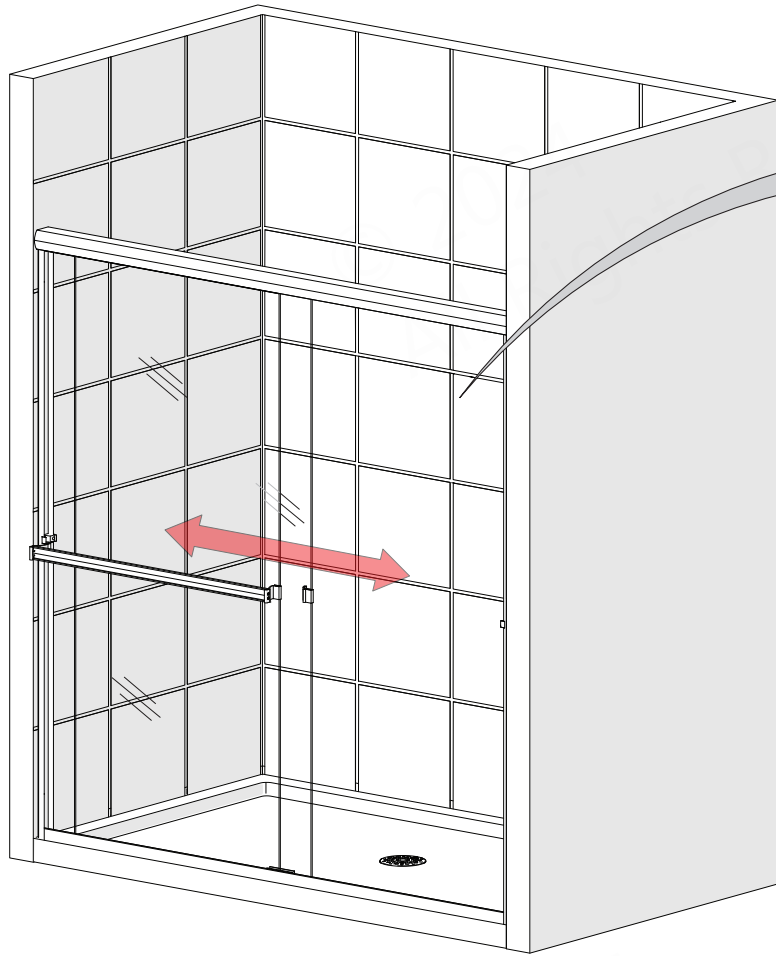
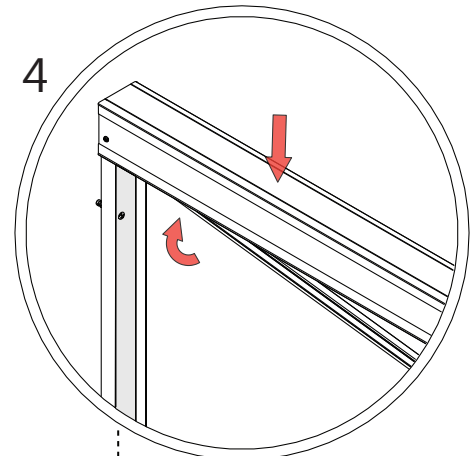
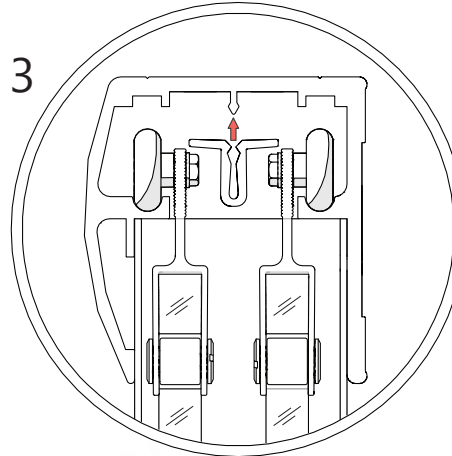
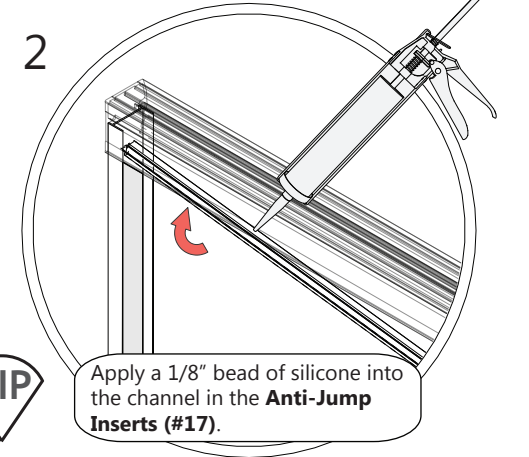
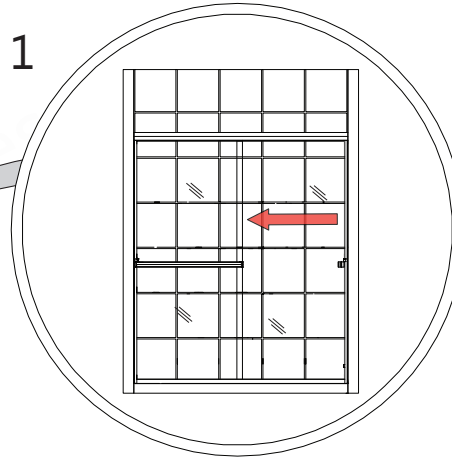
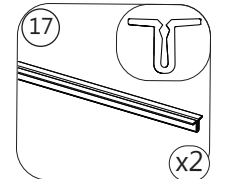


Fig 14

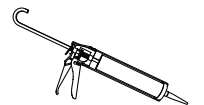


Apply pressure to one end of the **Anti-Jump Insert (#16)** until it snaps in, then work the rest of it onto the track in the **Top Guide Rail**. Cutting the **Insert** to length may be needed.

Parts Needed



Tools Needed



First, move both panels of **Door Glass (#09/10)** to one side. Next, apply a 1/8" bead of silicone in the **Anti-Jump Insert (#17)** and snap the first insert into position at the end of the **Top Guide Rail (#08)**. Lastly, move both panels of **Door Glass (#09/10)** to the opposite side to allow clearance, and use the same steps to install the second **Anti-Jump Insert (#17)**.

15

NOTE

Apply a quality, mold-resistant clear silicone to the entire interior perimeter of the shower door. Allow 24 hours for the silicone to set before using the shower. **Fig 15**

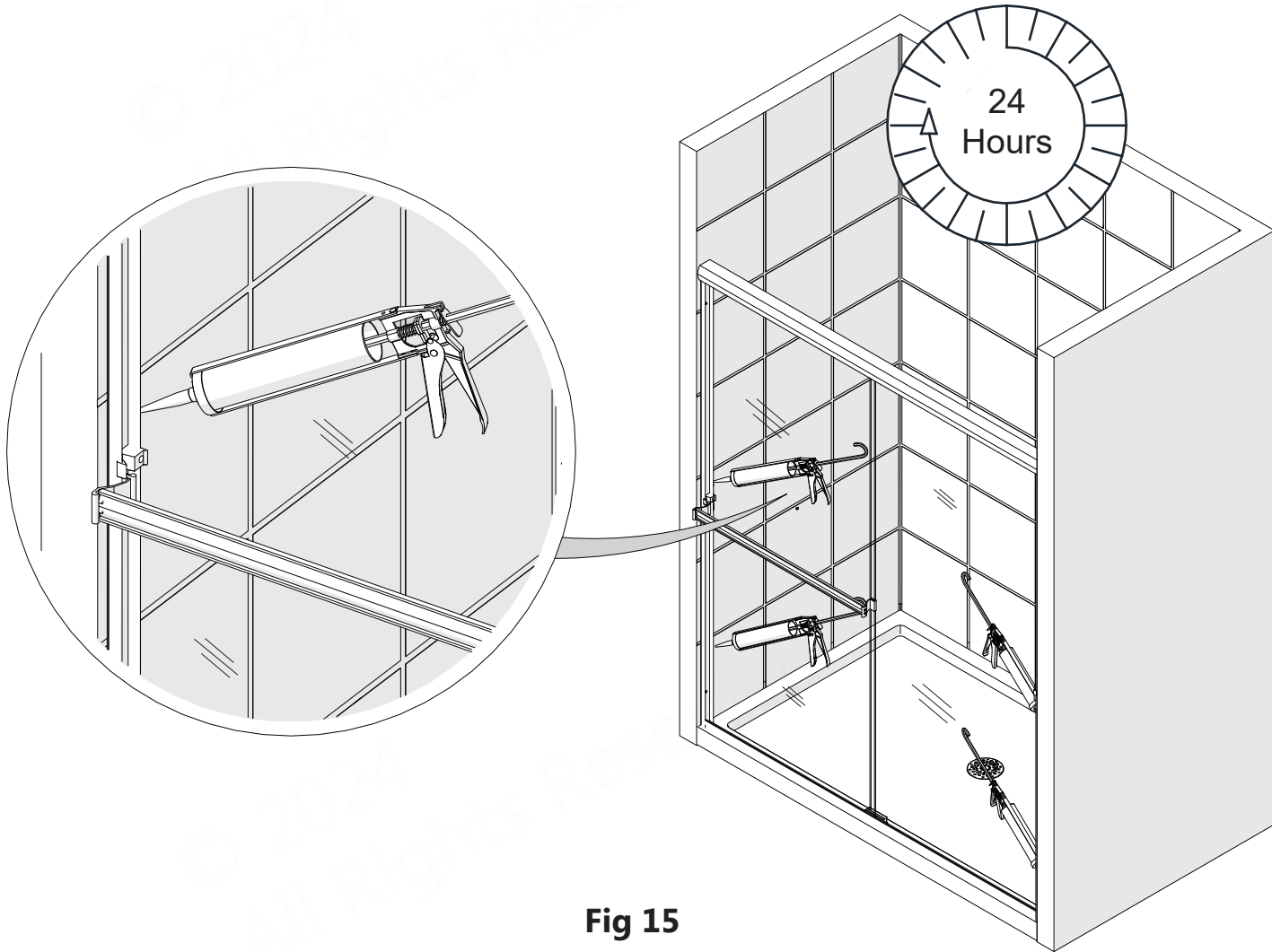


Fig 15

Tools Needed



Product Maintenance

BASES and BACKWALLS: To ensure long-lasting life for your acrylic back walls: wipe them off after each use with a soft cloth. To clean the acrylic back walls use non-abrasive sprays or cream based cleaners. Avoid the use of aerosol spray cleaners. Never use abrasive cleansers, metal brushes or scrapers that could permanently scratch or dull the surface.

GLASS: To ensure long-lasting life for your glass shower products: wipe them off after each use with a soft cloth. Rinse and wipe off the glass using either a soft cloth or a squeegee to prevent soap buildup and water spots (Hard water can etch the surface of the glass over time if left to dry). To prevent scratching the surface: never use abrasive cleaners or cleaning products that contain scouring agents. Never use bristle brushes or abrasive sponges that may scratch the surface of the glass.

HARDWARE: To ensure a long-lasting finish: wipe off all metal parts after each use with a soft cloth. Do not use abrasive cleaners or cleaning products containing ammonia, bleach or acid. If accidentally used, rinse the surface as soon as possible to prevent damage to the finish (peeling or corrosion). After cleaning the polished finishes, rinse thoroughly and wipe dry with a soft, clean cloth. Clean stainless steel surfaces at least once a week. When applying stainless steel cleaner or polish to stainless steel hardware, work with the grain (not across the grain). Never use an abrasive sponge or cloth, steel wool or wired brush as these may permanently scratch the surfaces.



To maximize the life of your door, it is important to regularly inspect the glass and other hardware for misalignment, proper attachment, and/or damage. Contact DreamLine® with any questions or concerns.

Alliance Pro BGX Maintenance Checklist

- Check that the unit is stable, operates smoothly and that the installation is secure.
- Confirm that all screws/bolts are tight.
- Check door glass for smooth operation. Adjust height of door glass if needed (Step 10, Page 17).
- Inspect exposed and concealed glass edges for damage (**damaged glass must be replaced!**)
- Inspect silicone caulk for gaps. Replace silicone as necessary to prevent water leakage.

Troubleshooting

Problem/Symptom	Suggested Solution	Page(s)
Missing Parts	<ul style="list-style-type: none"> •Check all shipping/packaging material for missing parts/components. •If not found, contact DreamLine Customer Support [1-866-731-2244] to order factory part replacement. 	5-7
Water Leakage	<ul style="list-style-type: none"> •Check that the Inside Door Glass closes against the shower head side of the shower. •Check that the vinyl insert is pre-installed properly in the Bottom Rail. •Check that a good quality, mold-resistant silicone has been used around the entire interior perimeter of the shower door. 	10, 22
Door Glass rubbing on threshold	<ul style="list-style-type: none"> •Check that threshold is level. •Check that roller wheels are tight and secure. Carefully remove Door Glass with a helper and adjust Roller Wheels if necessary. 	3, 13, 15-17
Door Glass not closing evenly with wall profiles	<ul style="list-style-type: none"> •Carefully remove the Door Glass with a helper and adjust one or both Roller Wheels to align the edge of the Door Glass with the Wall Profile. 	17
Door Glass not tracking smoothly through Center Guide	<ul style="list-style-type: none"> •Check that the Center Guide is installed correctly. If the Center Guide is moving, see instructions to secure the Center Guide to the Bottom Rail with a screw. 	17
Door Glass not meeting bumpers correctly	<ul style="list-style-type: none"> •Check that all three Bumpers are installed correctly and are installed on the correct sides of the shower opening. 	10
Door Glass binds against Vinyl Insert in the Bottom Rail	<ul style="list-style-type: none"> Check the distance between front of either Door Glass and the bottom rail, then move the Door Glass to the other side of the shower and check the same measurement. If different, the Wall Profiles may need to be adjusted or reinstalled. 	9, 10, 17



Prior to contacting DreamLine® Customer Service, please have the following information readily available:

- Purchase Order Information
 - Name, PO Number, Dealer/Vendor Name, etc.
- SKU/Model Number

Factory Parts Information

ALLIANCE PRO BGX		FACTORY PARTS INFORMATION	
ITEM #	FACTORY PART NUMBER	ITEM DESCRIPTION	QTY
1	045000 X 1-1759	Wall Profile	2
2	07552148	Wall Anchor	6
3	090107/090126 (Blk)	ST4.2x35mm Screw (Wall Profiles/Bttm. Bumper)	6
4	07553160/07550160 (Gry/Brwn)	Bumper	2
4a	07553172/07550172(Gry/Brwn)	Bottom Bumper	1
5	091133	ST4.0x14mm Pan Head Screw (Upper Bumpers)	2
6	045060 X 1-1513	Bottom Profile	1
7	092137(Chr)/92138(Blk)	ST3.5x10mm Pan Head Screw (Towel Bar)	4
7a	091136/091137(Blk)	ST4.0x10mm Pan Head Screw (Attach Guide Rail to Profiles/*Secure Guide Block) (*Optional)	3
8	045020 X 1-1524	Guide Rail	1
9/10	220930 X 05	Inside/Outside Glass with finished Roller Rails	2
11	07352034	Roller Wheel and Bolt	4
13	060500003-0078/060500005-0078 (Gry/Brwn)	Center Guide	1
14a	07231063	Towel Bar Bracket w/Pull	1
14b	07231062	Towel Bar Bracket	1
14c	07231064	Pull Handle	1
15	045270 X 1-0755	Towel Bar	1
16	060518002-0762	Anti-Jump Insert	1

BOLD digit indicates finish color:

1 or 8 = Polished SS

4 or 5 or 7 = Brushed SS

6 = Oil Rubbed Bronze

9 = Satin Black

Contact **Support@DreamLine.com** for Part replacement, installation assistance or additional information.

Complete **Warranty** information is available on **DreamLine.com**.

© 2024
All Rights Reserved



© 2024
All Rights Reserved

TEL: 866-731-2244
FAX: 866-857-3638
DREAMLINE.COM



For more information on DreamLine® Shower Doors and Enclosures please visit **DreamLine.com**