



ARIENS



GRAVELLY

# **Ikon-X & XD / ZT-X & XL Powered Bagger**

## **Parts Manual**

*Model:*

815045 - 42" & 52" (SN 000101+)

815048 - 48" (SN 000101+)

815049 - 60" (SN 000101+)

# TABLE OF CONTENTS

---

Decals .....	3
Weights .....	4
Blower Housing .....	5
Impeller Assembly .....	6
Belt Drive Assembly .....	7
Pump Mount and Cover 42" & 52" .....	8
Pump Mount and Cover 48" .....	9
Pump Mount and Cover 60" .....	10
Blower Handle & Guard .....	11
Bagger Hood Assembly .....	12
Bagger Frame Assembly .....	13

# DECALS

## Models All

**WARNING / AVERTISSEMENT / ADVERTENCIA**


 • Always engage parking brake before opening cover.  
 • Always engage parking brake before starting engine.  
 • Do NOT overload bagger; use extreme caution on slopes.  
 • Do NOT make abrupt turns or speed changes; always use required wheel speed.  
 • Be aware of rear turning radius.

• Evitar el riesgo de atascos al abrir la tapa.  
 • Evitar el riesgo de atascos al iniciar el motor.  
 • Evitar el sobrecarga de la tolva de la bolsa.  
 • NE PAS surcharger le sac à terre; faire preuve d'extrême prudence sur les pentes.  
 • NE PAS effectuer des virages brusques et des changements de vitesse soudains.  
 • Être attentif au rayon arrière de rotation.

• Evitar el riesgo de atascos al abrir la tapa.  
 • Evitar el riesgo de atascos al iniciar el motor.  
 • Evitar el sobrecarga de la tolva de la bolsa.  
 • Tener cuidado en las pendientes.  
 • NO realizar giros o cambios de velocidad bruscos.  
 • El riesgo de atascos es mayor cuando se espantan.  
 • Tener cuidado con el radio trasero de giro.

**WARNING/AVERTISSEMENT/ADVERTENCIA**


 Do not operate mower unless guards are in operating position or bagger is attached.  
 No jamais utiliser la tondeuse sans protecteur sur le canal d'aspiration ou sans le bac muni.

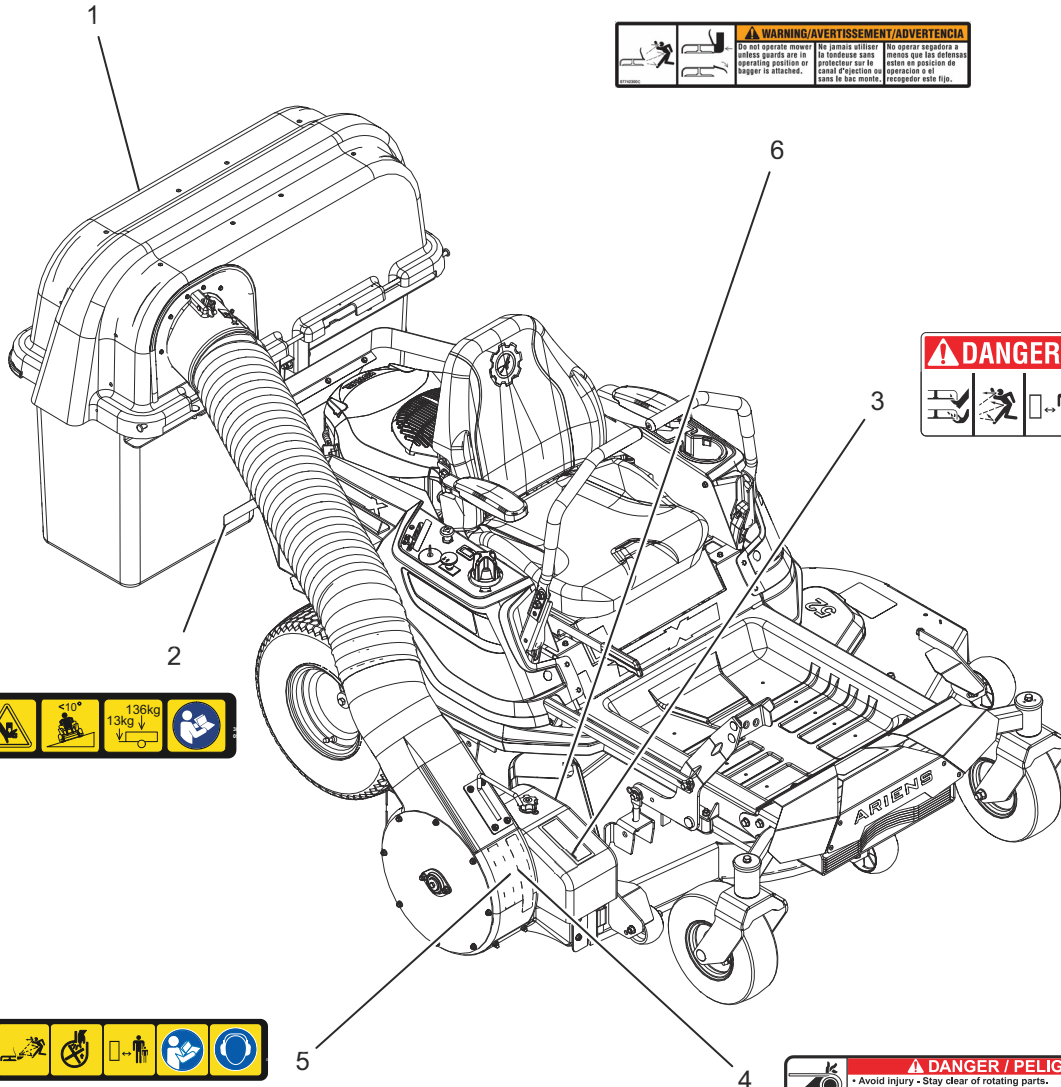
No operar segadora a menos que los defensas estén en posición de operación o el recogedor este fijo.

**⚠ DANGER/PELIGRO**



**⚠ DANGER / PELIGRO**


 • Avoid injury - Stay clear of rotating parts.  
 • Risque de blessures - ne pas s'approcher des pièces en mouvement.  
 • Evitar lesiones - Mantenerse alejado de las piezas giratorias.



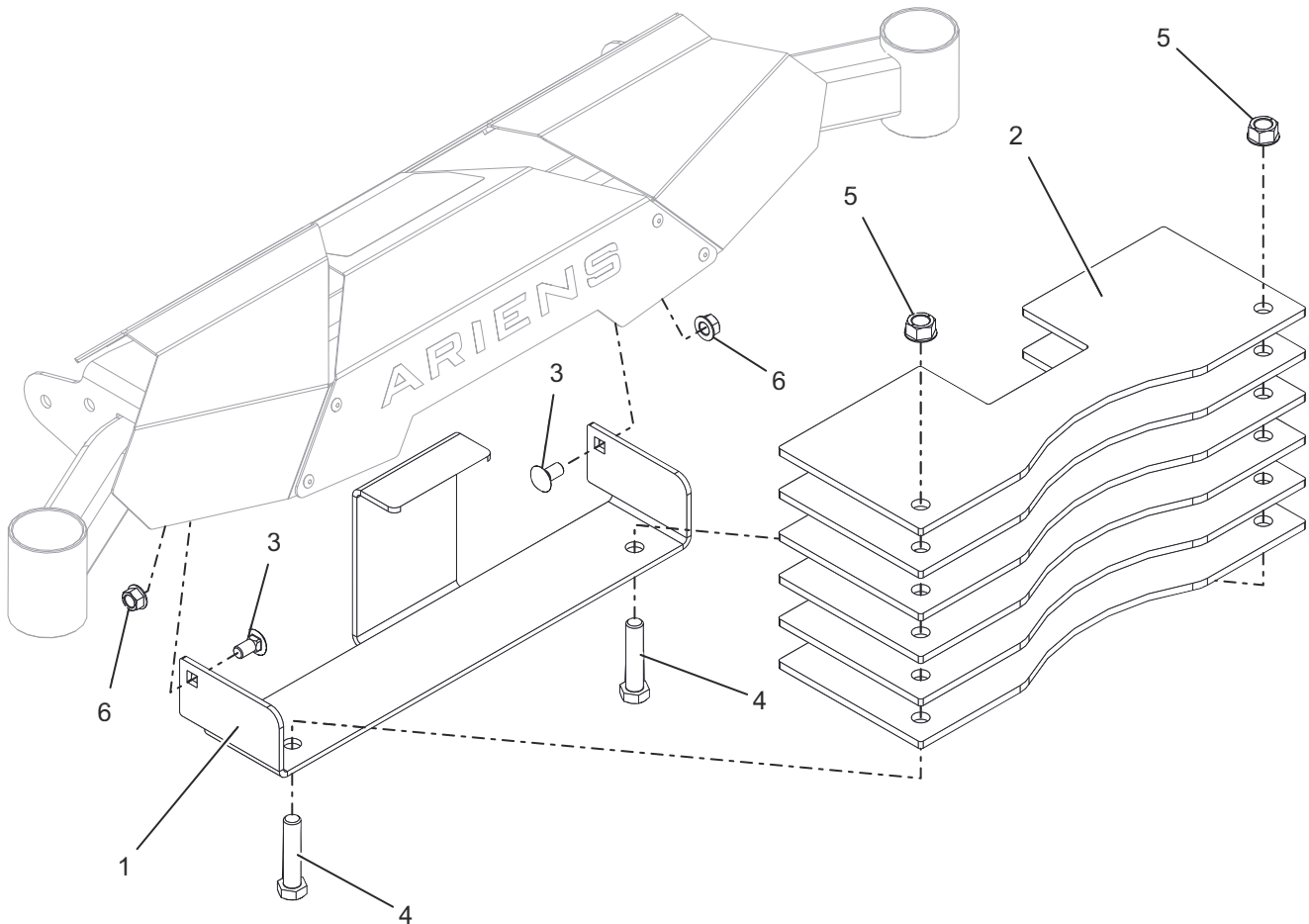




BOM ID	Number	Qty	Description
1	05359700	1	DECAL, BAGGER COVER
2	05367900	1	DECAL, TRAILER HITCH
3	07731400	1	DECAL, MOWER PAN DANGER
4	07735200	1	DECAL, DANGER
5	07801014	1	DECAL, SAFETY - GRASS PUMP
6	07742300	1	DECAL, WARNING

# WEIGHTS

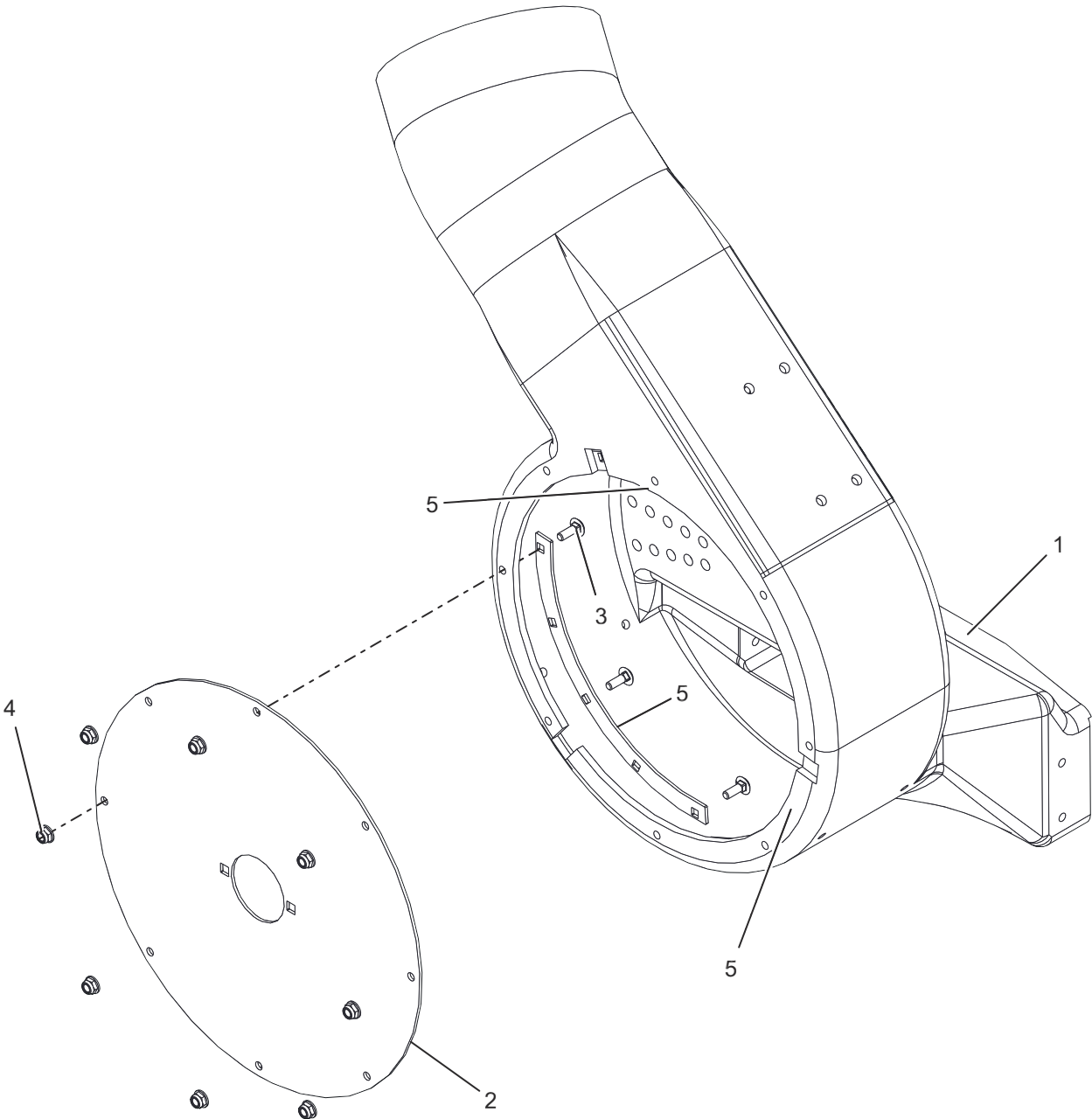
Models All



BOM ID	Number	Qty	Description
1	04850851	1	BRKT, WEIGHT HANGING- BAGGER (BLACK)
2	04850951	6	WEIGHT, BAGGER
3	06223900	2	BOLT, CARRIAGE 0.375-16X0.75 GR5
4	05961000	2	BOLT, HEX 0.5-13X2.25 GR5
5	06543600	2	NUT, LK-TOP-FLG .50-13 YWZC
6	06542000	2	NUT, LK-TOP-FLG .38-16 YWZC

# BLOWER HOUSING

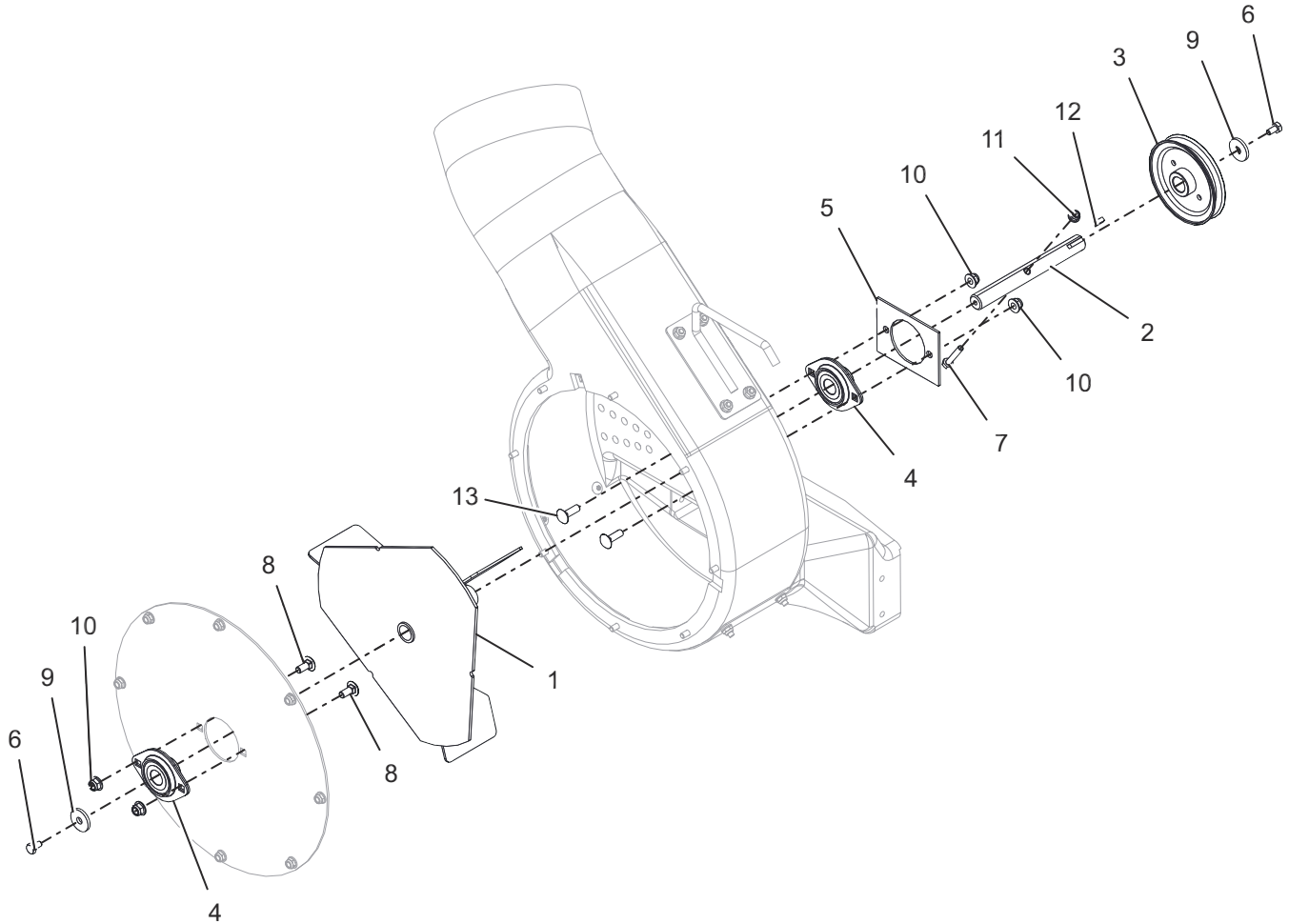
Models All



BOM ID	Number	Qty	Description
1	51586600	1	HOUSING, PLASTIC BLOWER WITH DECALS
2	00168051	1	PLATE, BRG MOUNT (BLACK)
3	06200307	8	BTL,RHSN .250-20 X 0.75 G5 ZCC
4	06500813	8	NUT, LK-NYL-FLG .25-20 GR5 ZC120
5	03720951	3	PLATE, COVER REINFORCING (BLACK)

# IMPELLER ASSEMBLY

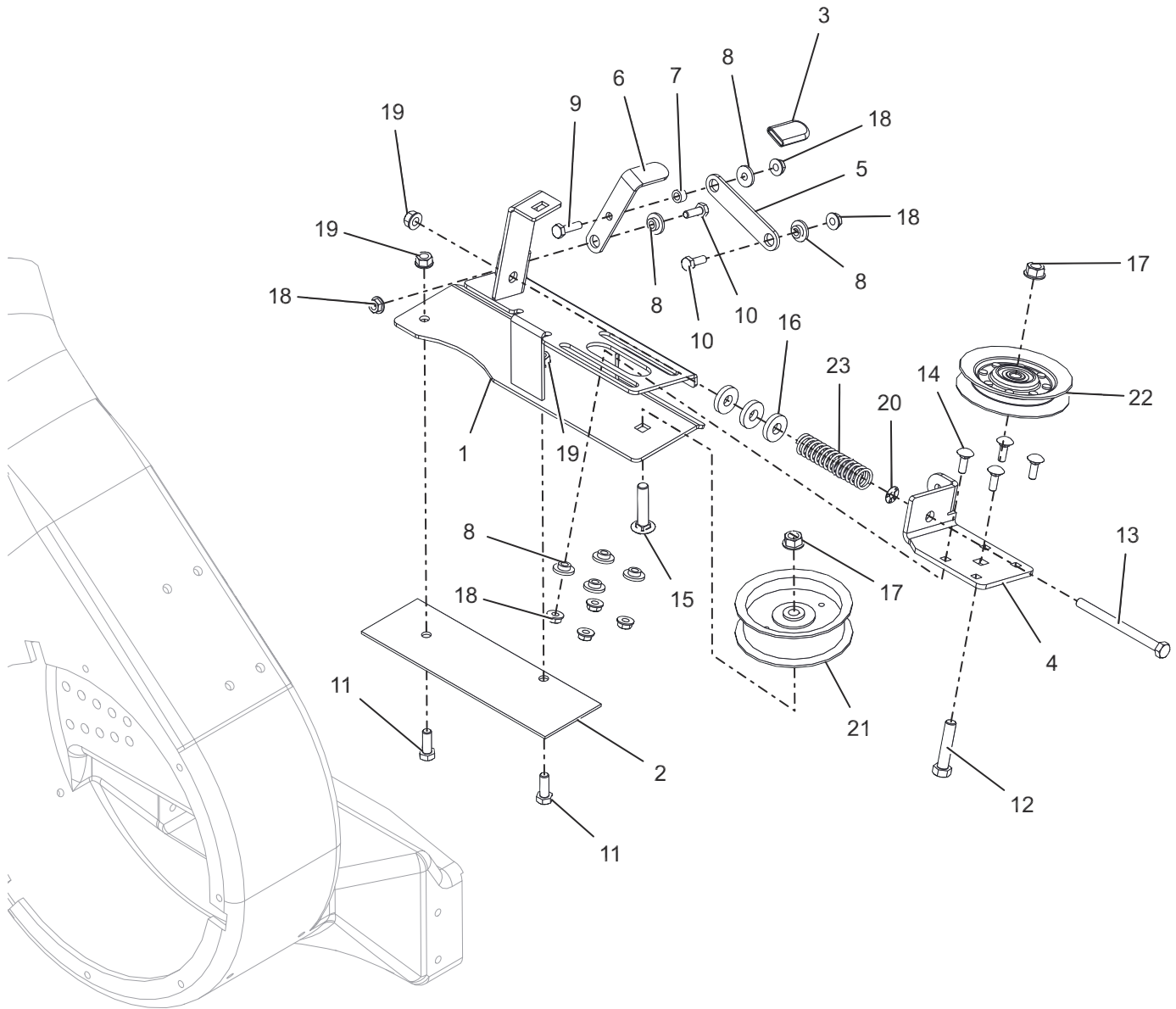
Models All



BOM ID	Number	Qty	Description
1	00170000	1	WLDMT, IMPELLER
2	00168700	1	SHAFT, IMPELLER
3	00169400	1	SHEAVE, BLOWER 4.25 OD
4	03685300	2	BEARING, 2 BOLT FLANGE - .75 ID
5	03721051	1	PLATE, WSHR -BEARING (BLACK)
6	05901918	2	BLT, HEX 0.375-16X1 GR5 EP80 ZC120
7	05902020	1	BLT, HEX 0.25-20X1.5 GR8 ZCC
8	06200232	2	BTL,RHSN .313-18 X 0.75 G5 ZCC
9	06401104	2	WSHR-FL-STL 0.34X1.125X0.135 ZCC
10	06500809	4	NUT, LK-NYL-FLG .31-18 GR5 ZC120
11	06500813	1	NUT, LK-NYL-FLG .25-20 GR5 ZC120
12	06606000	1	KEY-SQ .188X.188X.500
13	06200231	2	BTL,RHSN .313-18 X 1 G5 ZCC

# BELT DRIVE ASSEMBLY

Models All

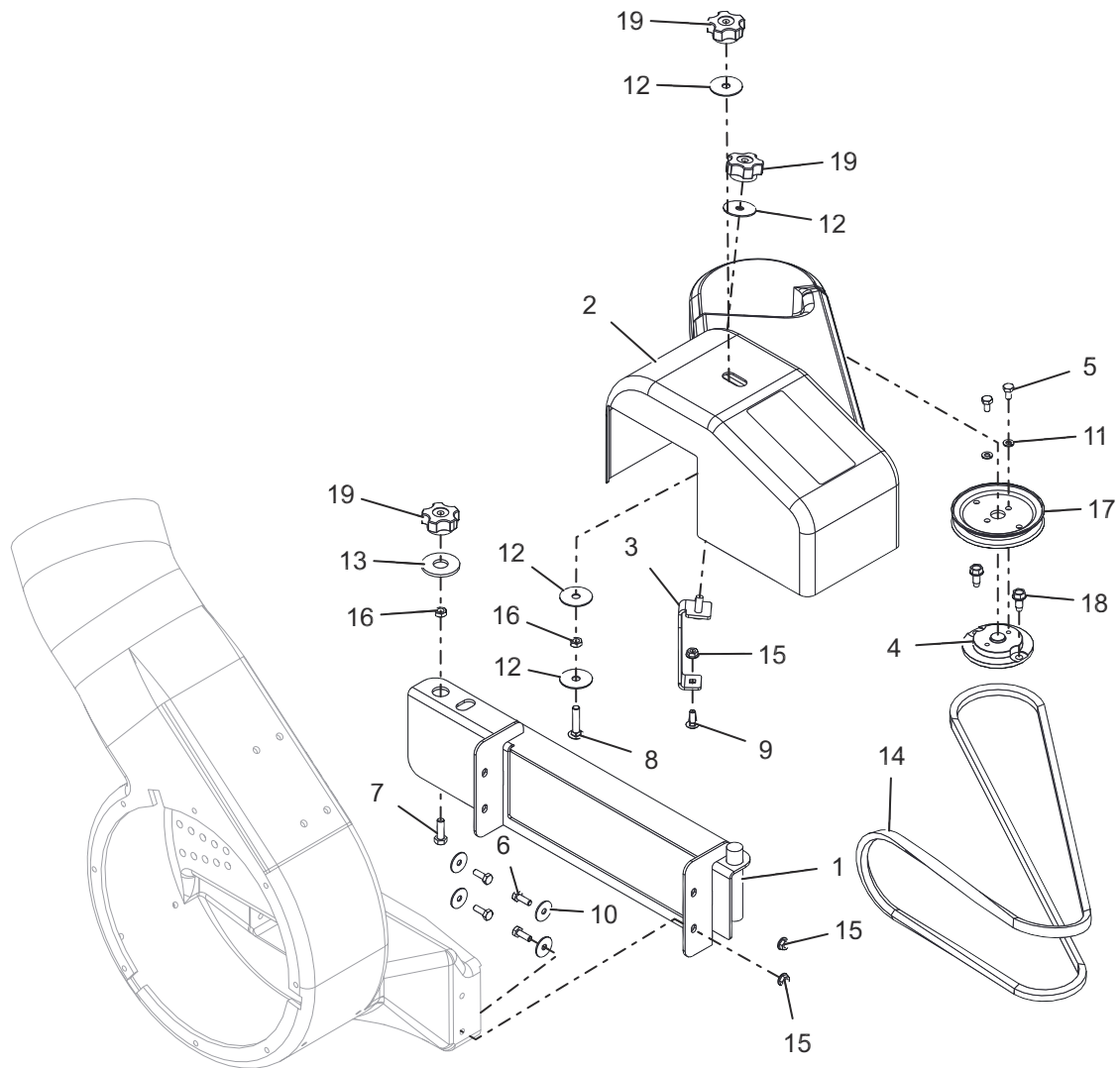


BOM ID	Number	Qty	Description
1	00853300	1	WLDMT, IDLER MOUNT
2	00174451	1	PLATE, BACK (BLACK)
3	04396600	1	GRIP, SEAT LEVER
4	04766200	1	BRKT, ADJ PULLEY IDLER
5	04773951	1	LINK, TENSIONER
6	04774051	1	HANDLE, TENSIONER
7	05501121	1	BSHG-SLV .261X.44X.25
8	05513400	7	BSHG, FLANGE .265X.437X.250X.750
9	05901639	1	BLT, HEX 0.25-20X1 GR5 ZC120
10	05901716	2	BLT, HEX 0.25-20X0.75 GR5 ZC120
11	05901801	2	BLT, HEX 0.3125-18X0.875 GR5 ZCC
12	05901809	1	BLT, HEX 0.375-16X1.75 GR5 ZCC

BOM ID	Number	Qty	Description
13	05901834	1	BLT, HEX 0.3125-18X4 GR5 ZCC
14	06200307	4	BTL,RHSN .250-20 X 0.75 G5 ZCC
15	06200329	1	BTL,RHSSN .375-16 X 1.75 G5 ZCC
16	06401108	3	WSHR-FL-STL 0.406X1X0.188 ZCC
17	06500822	2	NUT, FLG-TOP LK .375-16 GRF ZC120
18	06500903	7	NUT, FLG-TOP LK .250-20 GR5 ZC120
19	06500904	3	NUT, FLG-TOP LK .312-18 GR5 ZCC
20	06514900	1	NUT, PUSH .312
21	07300028	1	IDLER, FLANGE .38ID X 3.50
22	07327600	1	IDLER, V, 4.00X.38
23	08312100	1	SPRG, COMPRESSION

# PUMP MOUNT AND COVER 42"

Model 815045

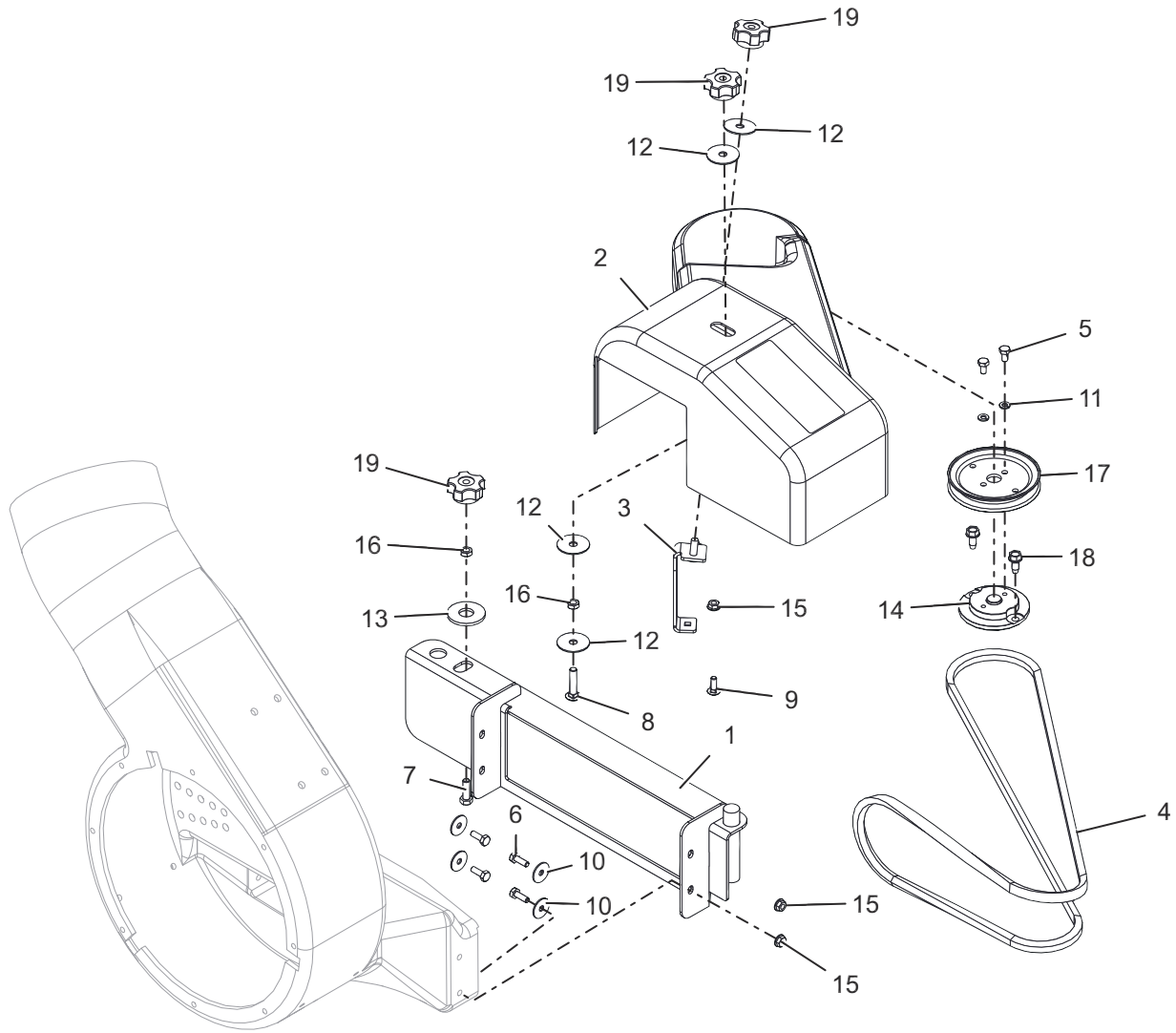


BOM ID	Number	Qty	Description
1	05274251	1	WLDMT, PUMP MOUNTING (BLACK)
2	51586500	1	COVER, BAGGER
3	04865451	1	WLDMT, BAGGER BELT COVER BRKT (BLACK)
4	05273100	1	ADAPTOR, BAGGER SHEAVE
5	05901705	2	BLT, HEX 0.25-20X0.5 GR5 ZC120
6	05901716	4	BLT, HEX 0.25-20X0.75 GR5 ZC120
7	05901802	1	BLT, HEX 0.3125-18X1 GR8 ZCC
8	06200233	1	BTL,RHSN .313-18 X 1.5 G5 ZCC
9	06200307	1	BTL,RHSN .250-20 X 0.75 G5 ZCC
10	06401020	4	WSHR-FL-STL 0.281X1X0.063 ZCC
11	06401009	2	WSHR,LK-REG 0.252 X 0.062 ZCC
12	06401028	4	WSHR-FL-STL 0.375X1.5X0.062 ZCC
13	06401032	1	WSHR-FL-STL 0.688X1.75X0.134 ZC120
14	07210200	1	V-BELT, 42"
15	06500903	5	NUT, FLG-TOP LK .250-20 GR5 ZC120
16	06500909	2	NUT, JAM .312-18 GR5 ZCC
17	07344900	1	PULLEY, V-4.25 OD X .68 ID
18	07400127	2	SCR-TAP .312-18X.75 HWH ZCC
19	07534800	3	KNOB, CLAMPING



# PUMP MOUNT AND COVER 52"

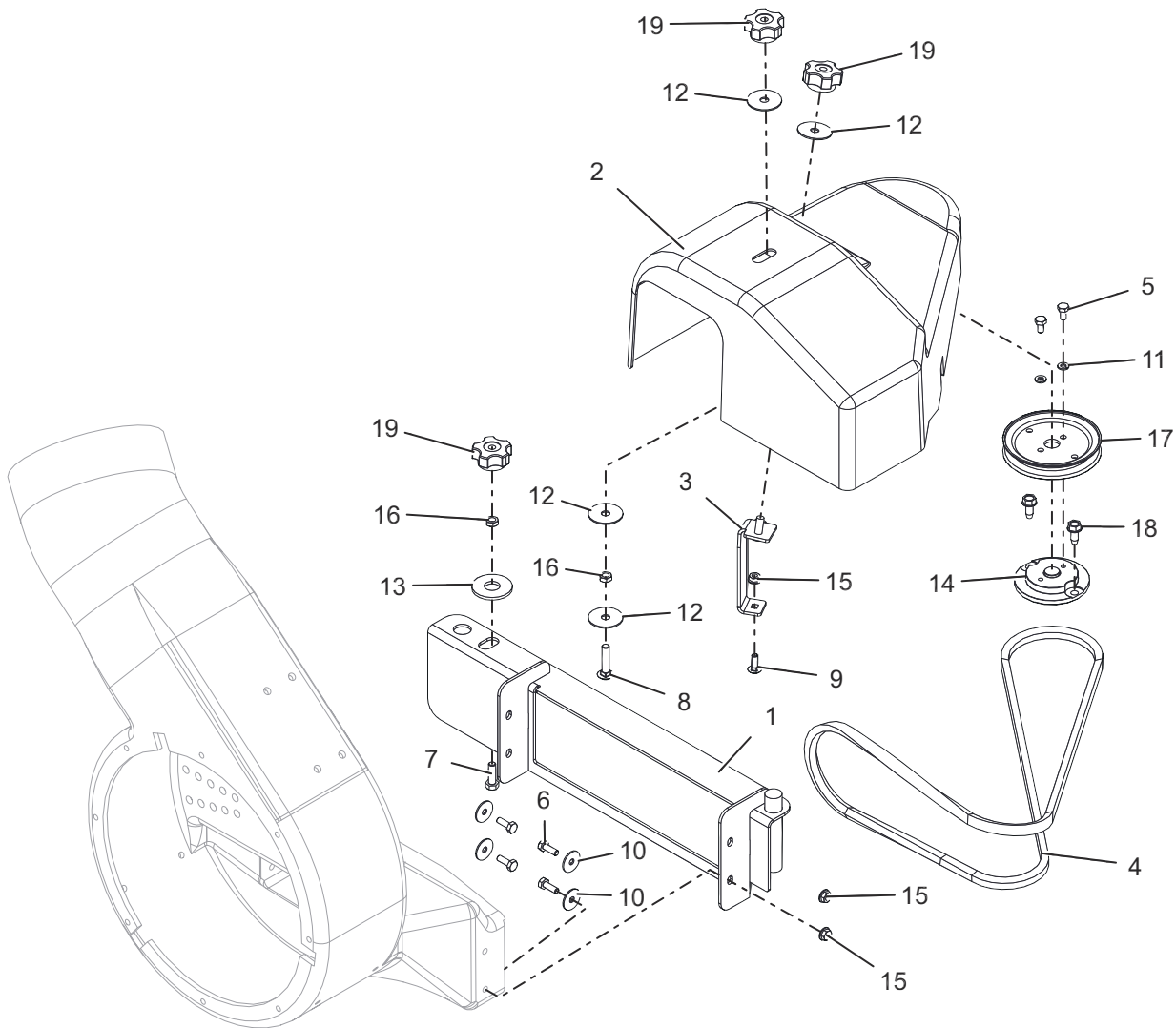
Model 815045



BOM ID	Number	Qty	Description
1	05274251	1	WLDMT, PUMP MOUNTING (BLACK)
2	51586500	1	COVER, BAGGER
3	04865451	1	WLDMT, BAGGER BELT COVER BRKT (BLACK)
4	07200042	1	BELT, BAGGER
5	05901705	2	BLT, HEX 0.25-20X0.5 GR5 ZC120
6	05901716	4	BLT, HEX 0.25-20X0.75 GR5 ZC120
7	05901802	1	BLT, HEX 0.3125-18X1 GR8 ZCC
8	06200233	1	BTL,RHSN .313-18 X 1.5 G5 ZCC
9	06200307	1	BTL,RHSN .250-20 X 0.75 G5 ZCC
10	06401020	4	WSHR-FL-STL 0.281X1X0.063 ZCC
11	06401009	2	WSHR,LK-REG 0.252 X 0.062 ZCC
12	06401028	4	WSHR-FL-STL 0.375X1.5X0.062 ZCC
13	06401032	1	WSHR-FL-STL 0.688X1.75X0.134 ZC120
14	05273100	1	ADAPTOR, BAGGER SHEAVE
15	06500903	5	NUT, FLG-TOP LK .250-20 GR5 ZC120
16	06500909	2	NUT, JAM .312-18 GR5 ZCC
17	07344900	1	PULLEY, V-4.25 OD X .68 ID
18	07400127	2	SCR-TAP .312-18X.75 HWH ZCC
19	07534800	3	KNOB, CLAMPING

# PUMP MOUNT AND COVER 48"

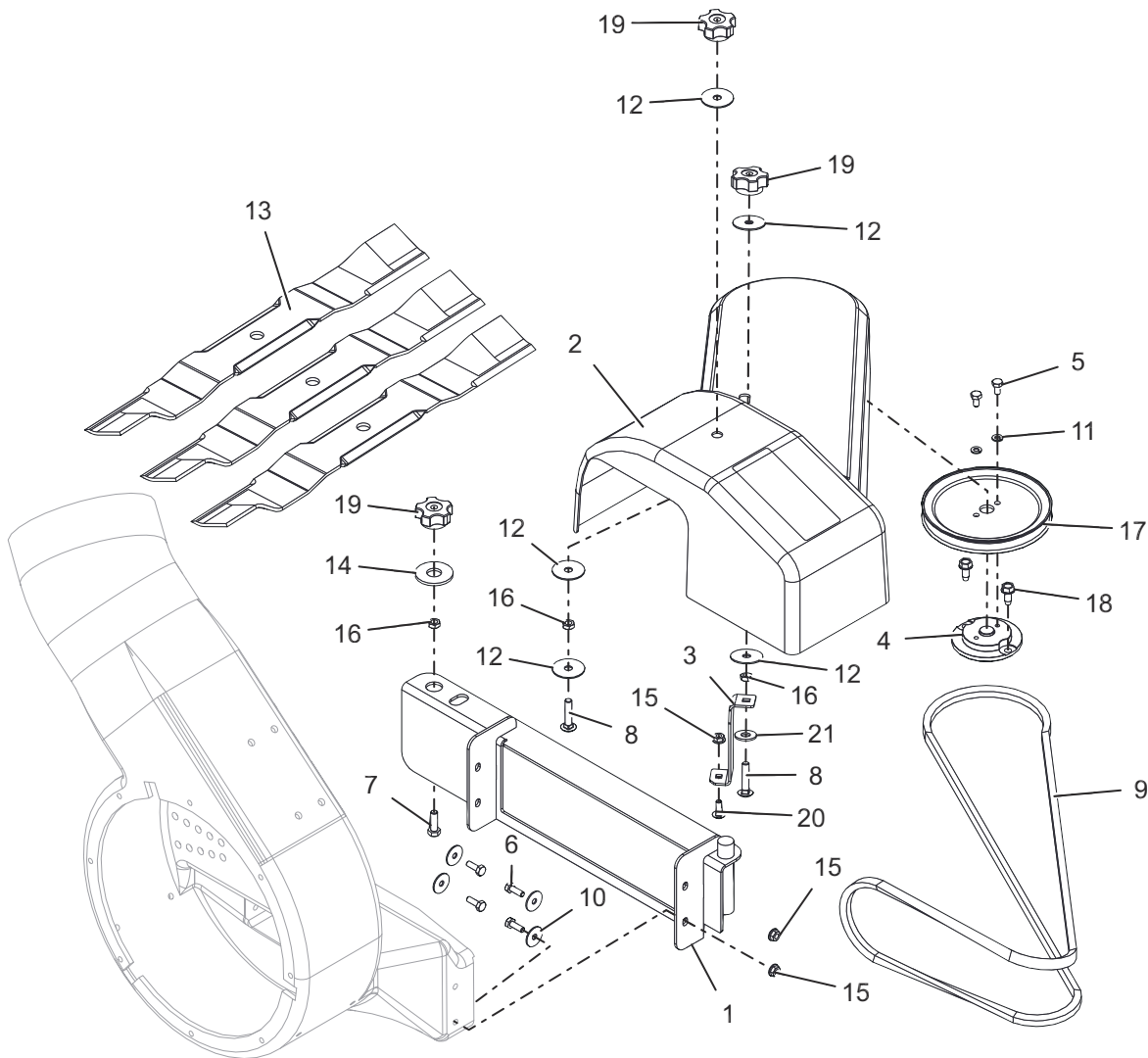
Model 815048



BOM ID	Number	Qty	Description
1	05274251	1	WLDMT, PUMP MOUNTING (BLACK)
2	51536400	1	KIT, COVER W/DECAL
3	04865451	1	WLDMT, BAGGER BELT COVER BRKT (BLACK)
4	07200905	1	V-BELT, 48"
5	05901705	2	BLT, HEX 0.25-20X0.5 GR5 ZC120
6	05901716	4	BLT, HEX 0.25-20X0.75 GR5 ZC120
7	05901802	1	BLT, HEX 0.3125-18X1 GR8 ZCC
8	06200233	1	BTL,RHSN .313-18 X 1.5 G5 ZCC
9	06200307	1	BTL,RHSN .250-20 X 0.75 G5 ZCC
10	06401020	4	WSHR-FL-STL 0.281X1X0.063 ZCC
11	06401009	2	WSHR,LK-REG 0.252 X 0.062 ZCC
12	06401028	4	WSHR-FL-STL 0.375X1.5X0.062 ZCC
13	06401032	1	WSHR-FL-STL 0.688X1.75X0.134 ZC120
14	05273100	1	ADAPTOR, BAGGER SHEAVE
15	06500903	5	NUT, FLG-TOP LK .250-20 GR5 ZC120
16	06500909	2	NUT, JAM .312-18 GR5 ZCC
17	07344900	1	PULLEY, V-4.25 OD X .68 ID
18	07400127	2	SCR-TAP .312-18X.75 HWH ZCC
19	07534800	3	KNOB, CLAMPING

# PUMP MOUNT AND COVER 60"

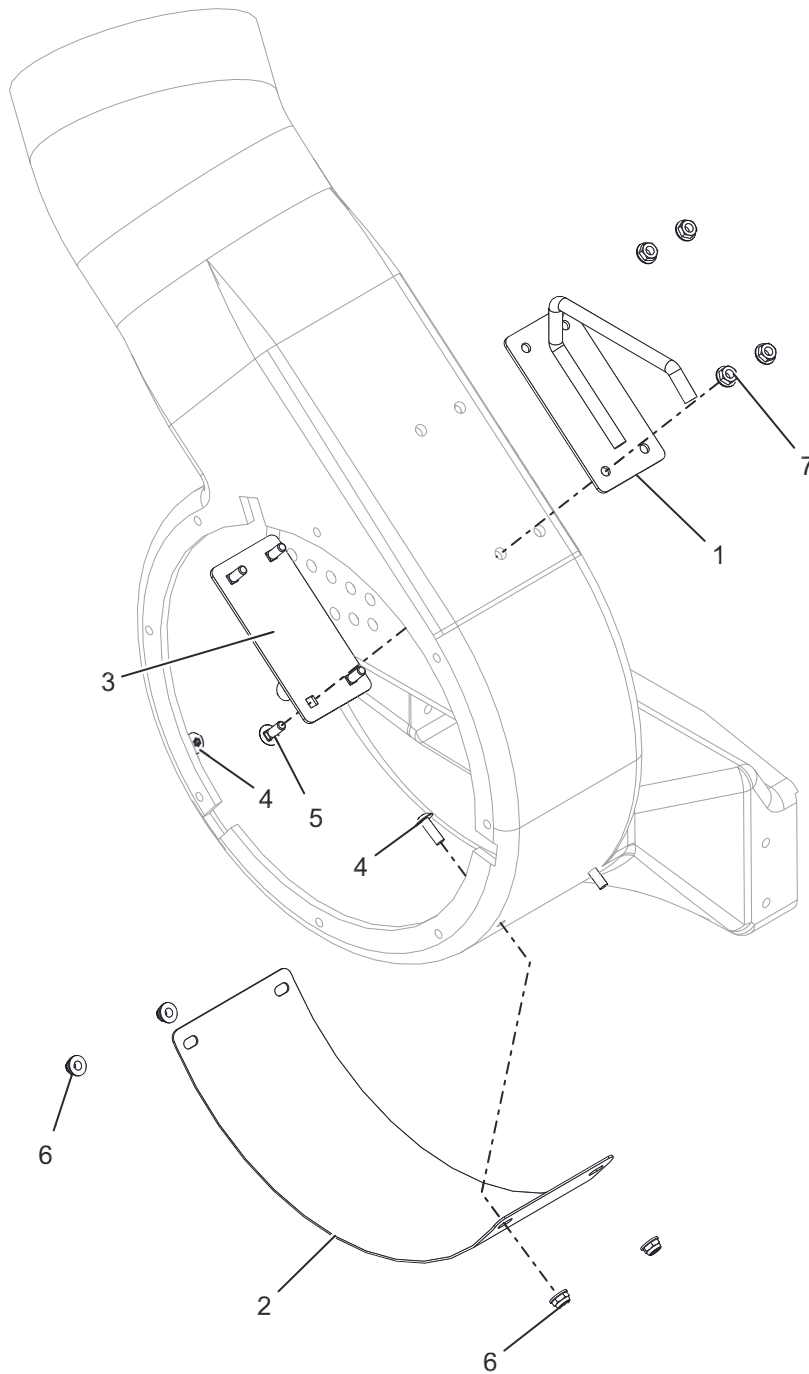
Model 815049



BOM ID	Number	Qty	Description
1	05274251	1	WLDMT, PUMP MOUNTING (BLACK)
2	51532000	1	COVER, BAGGER BELT
3	05137051	1	BRKT, BAGGER BELT COVER (BLACK)
4	05273100	1	ADAPTOR, BAGGER SHEAVE
5	05901705	2	BLT, HEX 0.25-20X0.5 GR5 ZC120
6	05901716	4	BLT, HEX 0.25-20X0.75 GR5 ZC120
7	05901802	1	BLT, HEX 0.3125-18X1 GR8 ZCC
8	06200233	2	BTL,RHSN .313-18 X 1.5 G5 ZCC
9	07200728	1	V-BELT, 4L SECTION -60" BAGGER
10	06401020	4	WSHR-FL-STL 0.281X1X0.063 ZCC
11	06401009	2	WSHR,LK-REG 0.252 X 0.062 ZCC
12	06401028	5	WSHR-FL-STL 0.375X1.5X0.062 ZCC
13	04964800	3	BLADE,
14	06401032	1	WSHR-FL-STL 0.688X1.75X0.134 ZC120
15	06500903	5	NUT, FLG-TOP LK .250-20 GR5 ZC120
16	06500909	3	NUT, JAM .312-18 GR5 ZCC
17	07349700	1	PULLEY, V-6.00 OD X .675 ID
18	07400127	2	SCR-TAP .312-18X.75 HWH ZCC
19	07534800	3	KNOB, CLAMPING
20	06200307	1	BTL,RHSN .250-20 X 0.75 G5 ZCC
21	06401008	1	WSHR-FL-STL 0.438X1X0.083 ZC120

# BLOWER HANDLE & GUARD

Models All

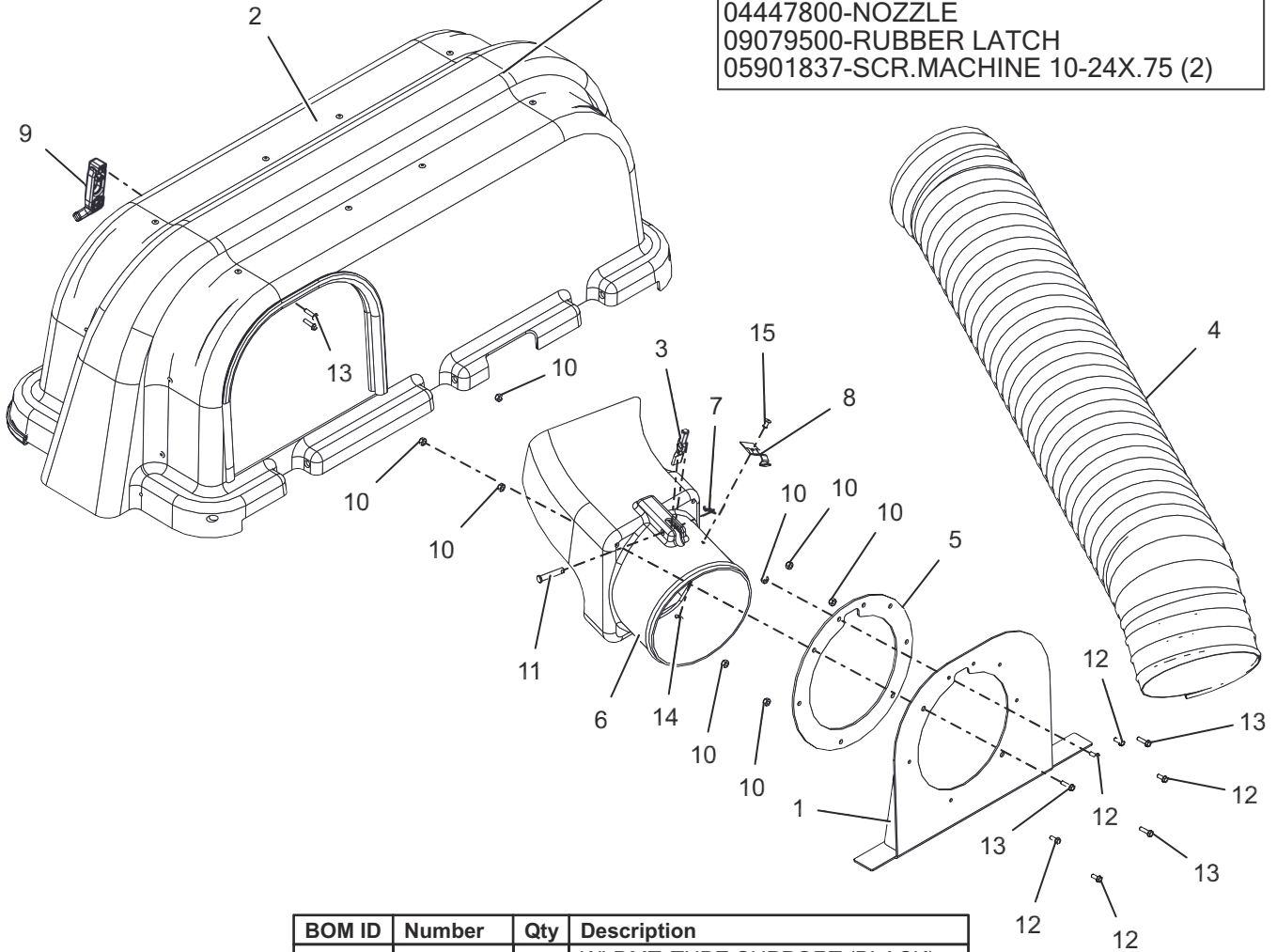


BOM ID	Number	Qty	Description
1	05274651	1	WLDMT, HOUSING HANDLE (BLACK)
2	00169951	1	PLATE, SKID (BLACK)
3	05276651	1	PLATE, HANDLE BACKER (BLACK)
4	06114400	4	SCR-MCH .25-20X.75 TXTR PL
5	06200307	4	BTL,RHSN .250-20 X 0.75 G5 ZCC
6	06500813	4	NUT, LK-NYL-FLG .25-20 GR5 ZC120
7	06500821	4	NUT, FLG-CTR LK .250-20 GR5 ZC120

# BAGGER HOOD ASSEMBLY

Models All

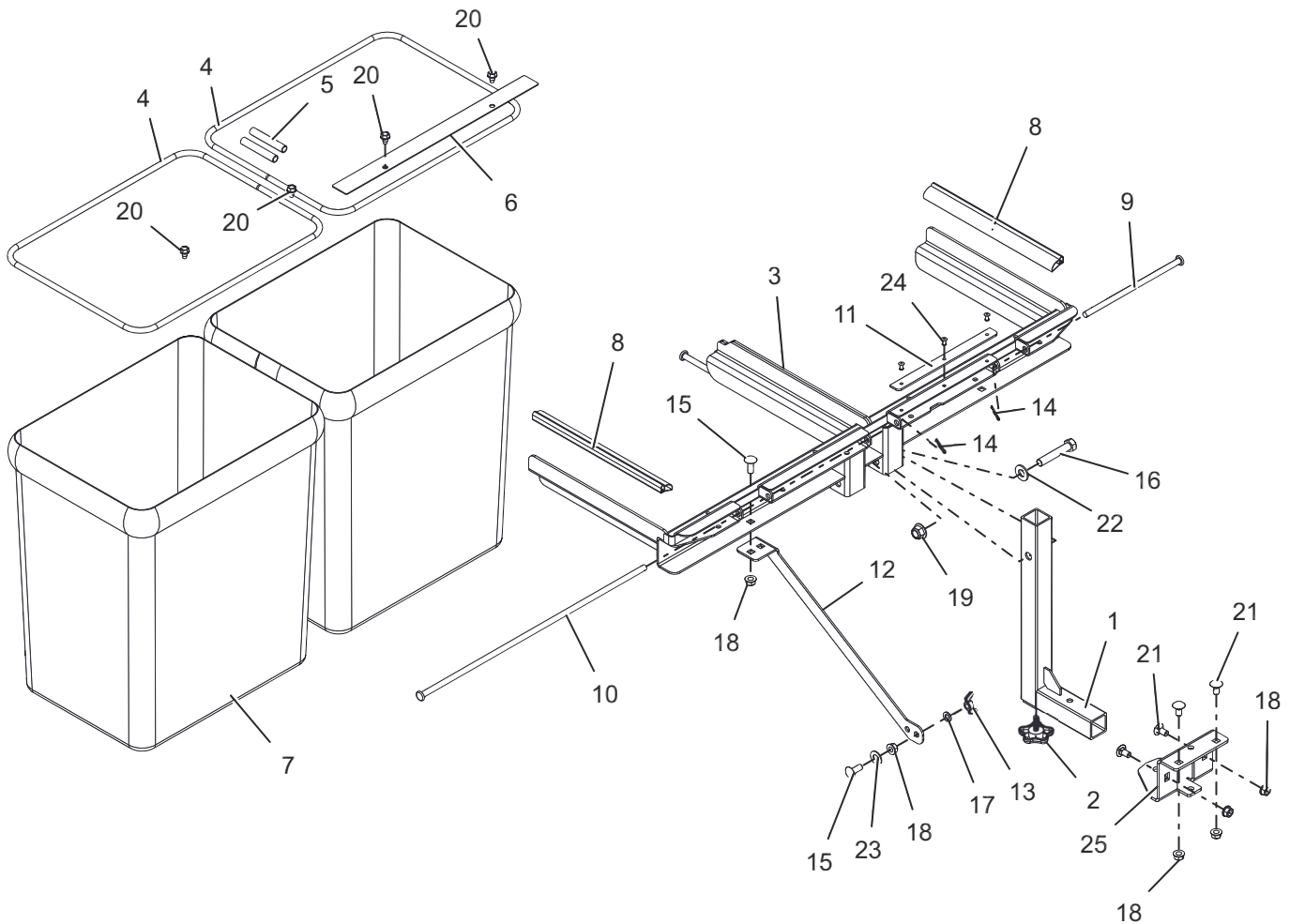
SERVICE PARTS:  
 05173151-HOOD VENT-LH  
 05173051-HOOD VENT-RH  
 06803800-POP RIVET 3/16"X.52" (6)  
 06800108-POP RIVET 3/16"X.68" (2)  
 06401123-WSHR-FL (8)  
 04410700-BULK BULB SEAL 3.2 FT.  
 04439500-BULK SEAL 2.3 FT.  
 04447800-NOZZLE  
 09079500-RUBBER LATCH  
 05901837-SCR.MACHINE 10-24X.75 (2)



BOM ID	Number	Qty	Description
1	04439751	1	WLDMT, TUBE SUPPORT (BLACK)
2	51577800	1	BAGGER, HOOD ASSEMBLY
3	00168300	1	INDICATOR, FLOW
4	05284100	1	HOSE, FLEXIBLE-56"
5	04409900	1	SEAL, UPPER BOOT
6	04446800	1	BOOT, UPPER
7	06700223	1	PIN, HAIR #225 .072X1.09
8	07000026	1	LATCH, THUMB
9	09079500	1	LATCH,
10	06500915	8	NUT, LK-NYL #10-24 GR5 ZC120
11	06815300	1	PIN, CLEV .309X1.62 ZCC
12	05901825	5	SCR-MCH 10-24X.50 HWH ZCC
13	05901837	5	SCR-MCH 10-24X.75 HWH ZCC
14	06401123	1	WSHR-FL-STL 0.219X0.5X0.049 ZCC
15	06803800	1	RVT-POP .187x.527 DOME

# BAGGER FRAME ASSEMBLY

Models All



BOM ID	Number	Qty	Description
1	04795751	1	WLDMT, BAGGER MOUNT POST (2BRKT) (BLACK)
2	07500226	1	KNOB, WING STUDDED
3	04409551	1	ASM, BAGGER FRAME UPPER (BLACK)
4	00663200	2	FRAME, BAG
5	00677000	2	HOSE,
6	03844151	1	BRKT, BAG
7	03862900	2	BAG, MESH /ZOOM
8	04439500	2	SEAL, BULB - 1 FT.
9	04443400	1	PIN, BAGGER HINGE (L)
10	04443500	1	PIN, BAGGER HINGE (R)
11	04446700	1	SEAL, HINGE
12	05172651	1	STRAP, BAGGER SUPPORT (BLACK)
13	06502300	1	NUT, WING 3/8-16 ZCC
14	06700223	2	PIN, HAIR #225 .072X1.09
15	06200235	2	BTL,RHSSN .375-16 X 1 G5 ZCC
16	05901836	1	BLT, HEX 0.5-13X2.75 GR8 ZC120
17	06300116	1	WSHR,LK-REG 0.377 X 0.094 ZCC
18	06500822	6	NUT, FLG-TOP LK .375-16 GRF ZC120
19	06500810	1	NUT, LK-NYL-FLG .50-13 GR5 ZC120
20	07400124	4	SCR-TAP .312-18X.50 HWH ZCC
21	06200312	4	BTL,RHSN .375-16 X 0.75 G5 ZCC
22	06401128	1	WSHR-FL-STL 0.531X1.125X0.1 ZCC
23	06401112	1	WSHR-FL-STL 0.505X1X0.062 ZCC
24	06803800	3	RVT-POP .187x.527 DOME
25	04835351	1	BRKT, HITCH



**ARIENS GRAVELLY**

**Ariens Company**

655 West Ryan Street  
Brillion, WI 54110

[ariensco.com](http://ariensco.com)



**ARIENS|CO**