



Stephen

60" x 32" Skirted Acrylic Air Bath

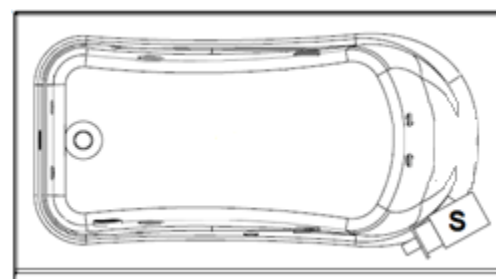
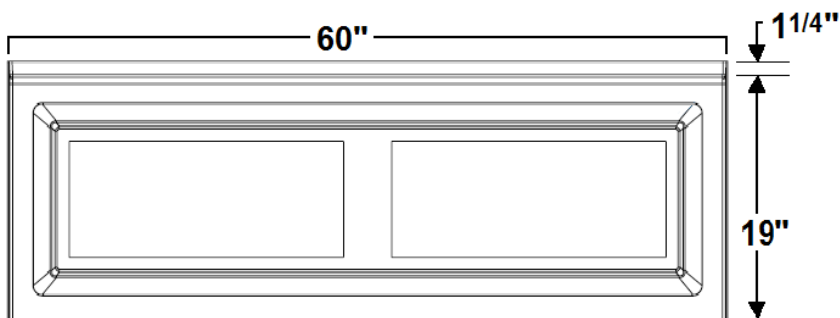
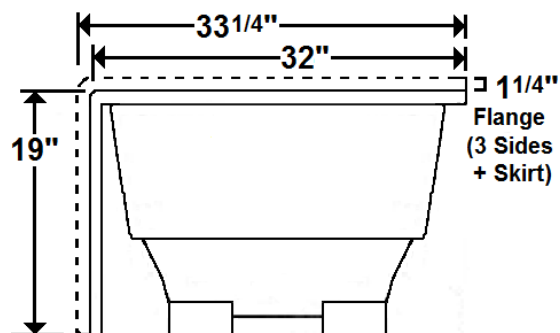
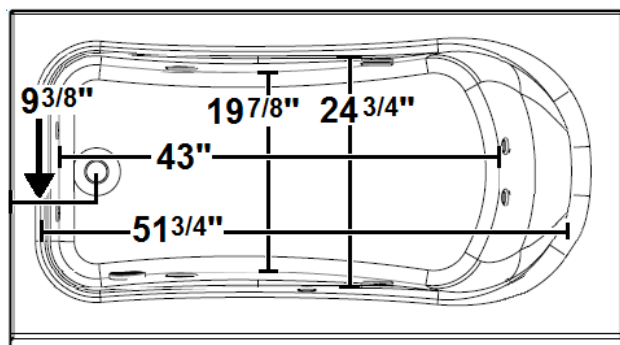
Model Number
6032STASR064
Right Hand Drain Air Bath in White
6032STASL064
Left Hand Drain Air Bath in White

Features

- 20 high output later air jets
- Color-matched trim
- 12 Amp variable speed blower
- Pillow included
- Constructed of high-gloss durable acrylic
- Automatic purge cycle with timer
- Textured floor
- Pre-leveled base for easy installation
- Made in the USA



All dimensions are +/- 1/2" and subject to change without notice
Confirm specifications before installation



Standard (S) Pump Locations

Technical Information

- Weight: 142 lbs.
- Water Depth to Overflow: 13 5/8"
- Operating Capacity: NA
- Water Capacity: 53 gal.
- Sump Dimension: 43" x 19 7/8"

Electrical Requirements

- Standard Blower: 12 Amps
- 20amp Dedicated GFCI required