



# Spiral Staircase Buyer's Guide



Visit us at [mylenstairs.com](http://mylenstairs.com) or call (855) 869-8594

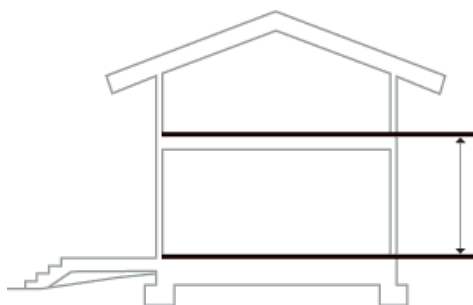


## Before you start

Choosing the right staircase can seem daunting at first. How do I know it will fit my space? What information do I need before ordering? How do I find the right Mylen spiral staircase for my vision? Have no fear! Just follow this helpful step by step guide to find the right stair for your project. We have design consultants and experienced product support teams at the ready to help you out if you ever get stuck, need more information or have any questions about the product. Mylen Stairs has been around for over 75 years, so you can trust us to guide you through this process. Sit back, relax and have fun finding the right Mylen spiral staircase stair for you!

## What measurements and considerations do I need before I pick a stair?

### Finished Floor-to-Floor Height



The most important measurement that you will need to know for how to build a spiral staircase is your finished floor to finished floor height. An accurate floor to floor height is the first step to starting your project. Your finished floor-to-floor height will determine how many steps, or treads, are in your stair and the rotation of your spiral stair.

You can measure your floor to floor height by starting at the bottom floor where you will be installing the stair. From here, measure up to the finished floor and include any sub flooring or carpeting for the most accurate measurement. Once you have that measurement, check out the chart on the next page to find your corresponding tread count.

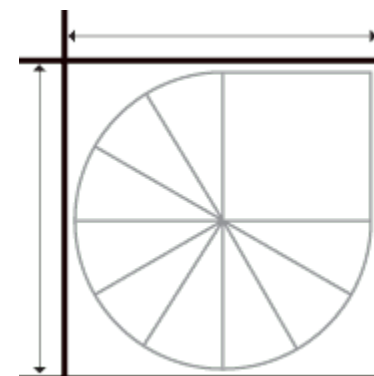


## Floor to Floor Measurements

Tread Count	Height Min	Height Max
9	85"	95"
10	93.5"	104.5"
11	102"	114"
12	110.5"	123.5"
13	119"	133"
14	127.5"	142.5"
15	136"	152"

### Well Opening

Some of our customers choose to install our DIY-friendly spiral staircases through a hole, or well opening, in the upper floor. If this is the case, you will need to know the size of your well opening, or the opening for your round staircase. The size of your finished well opening needs to be at least two inches larger than the stair's diameter. This is because your stair needs to fit comfortably through the hole so that your fingers do not get pinched as your hand glides along the handrail as you ascend and descend the stair.



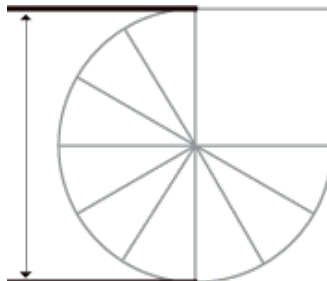
Whether you decide on a square or round well opening, the measurement will be the same. Please keep in mind that the smallest well opening we can work with is 44" x 44" or 46" x 46" (for horizontal line rail like the photo shown to the left). This is because the smallest stair diameter that we offer is 3 feet 6 inches (which is 42" x 42"). If you have a well opening smaller than 44" x 44" our consultative designers will work with you to find you the best solution.

## Well Opening Requirements

Stair Diameter	Opening (vertical balusters)	Opening (horizontal line rail)
3'6" (42" x 42")	44" x 44"	46" x 46"
4'0" (48" x 48")	50" x 50"	52" x 52"
4'6" (54" x 54")	56" x 56"	58" x 58"
5'0" (60" x 60")	62" x 62"	64" x 64"
5'6" (66" x 66")	68" x 68"	70" x 70"
6'0" (72" x 72")	74" x 74"	76" x 76"



## Diameter



While the floor to floor height of your spiral stair is the first measurement you need, knowing your preferred diameter can be useful as well. Diameter is just the width of the stair. Your diameter may be defined by the staircase's surroundings. For example, if you want a loft stairs kit and you're attaching your spiral in the corner of your home to gain access to a loft, think about how much space you have available for your staircase. If you are unsure about the diameter, our consultative designers can help determine the right size stair for your project.

## Rotation

When people think about spiral stairs, they picture a full spiral. However, not every spiral stair completes a full rotation! The rotation of your spiral staircase is dependent upon your finished floor-to-finished floor height.

Spiral stair building code calls for 30 degree treads. This means that each tread rotates 30 degrees around the center column. After you have found your floor to floor height and tread count, refer to the chart below to see how much rotation your spiral staircase will have.

Rotation will determine where you enter and exit the staircase as well as which side you want the handrail when you ascend or descent the staircase. Mylen spiral staircases are offered with a universal handrail so you can install the handrail on the side that suits your space.

Rotation Reference	
Number of Treads	Rotation
9	270°
10	300°
11	330°
12	360°
13	390°
14	420°
15	450°



## Platform Style, Platform Rails and Attachment Method

The last consideration you will need before selecting a Mylen spiral staircase is how you plan to attach the platform to the second level. There are two main attachment scenarios, corner mount or loft mount. This is important so you can decide how many platform rails you need based on the platform style you desire.

### Attachment Method

If you are installing your staircase into a corner, you only need one platform rail because the wall on the opposite side of the platform will “close off” the platform.

For loft mount installations, you will need two platform rails so both sides of the platform are “closed”.

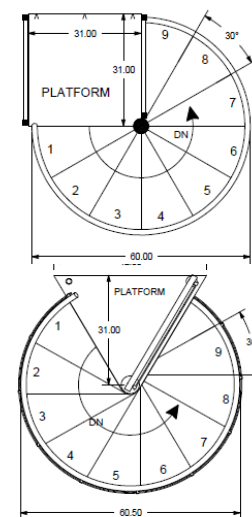
### Platform Style and Platform Rails

Mylen offers two standard shapes of platforms, square and triangular. Square platforms, like those offered in our Reroute and Condor collections, either require one or two platform rails depending on your attachment method (see below).

Triangular platforms, like those offered in our Hayden Collection, not only save space but also require only one platform rail regardless of your attachment method.

If your project calls for a different platform style or a custom size, call us and one of our expert consultants can custom design a platform just for you!

In the next section, we walk through how to use the information and measurements you gathered to choose the right Mylen spiral staircase for you!





## How do I choose the right spiral staircase?

Now that you have your project's measurements, your next choice will be finding the right spiral staircase that fits your space. When thinking of your measurements, consider how often you plan on using your staircase. If you have a small space and do not plan on using the staircase frequently, a Mylen spiral staircase that is less than 5'0" in diameter may be suitable. Conversely, if you plan on using the staircase more frequently and have enough space, you may want to consider a 5'0" diameter stair that provides a few extra inches of clear walking path. No matter what, rest assured that your Mylen spiral staircase will be built with the highest attention to quality and stability that we pride ourselves on.

### Tread Count

To find the staircase that fits your floor to floor height, you will need to know how many treads (or steps) you need. All Mylen spiral staircases are designed with 1" of adjustability between treads, regardless of model or collection. No matter what model you choose, you can have a minimum rise (space between treads) of 8.5", up to a maximum of 9.5". This flexibility makes Mylen spiral staircases suitable for a broad range of heights. Just find your floor to floor height in the chart below and the corresponding tread count!

### Floor to Floor Measurements

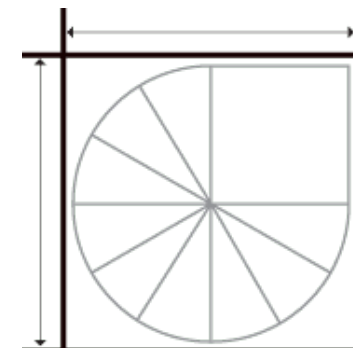
Tread Count	Height Min	Height Max
9	85"	95"
10	93.5"	104.5"
11	102"	114"
12	110.5"	123.5"
13	119"	133"
14	127.5"	142.5"
15	136"	152"



## Staircase Footprint

One of the first questions that homeowners have when considering a spiral stair is, “How much space will I need to install a spiral stair?” There is no set space requirement, it all depends on your unique space needs.

Your spiral stair’s footprint is another way of saying the amount of space the staircase will take up in your home. Because your stair’s diameter is the total width of your stair, it will also determine the footprint. The smallest spiral stair diameter that we offer is 3’6”, which translates to a 42” x 42” footprint. From here, the footprint will increase in 6” increments like the diameters.



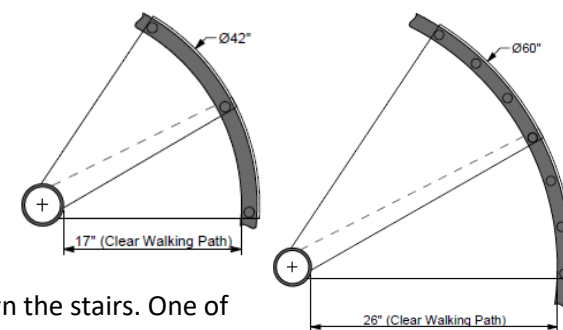
Determining your spiral stair’s footprint can help you find the best size spiral staircase for your design. Often times, a customer wants to tuck their spiral stair into a corner against the wall and isn’t sure how much space they truly have for their stair.

If you think a 3’6” stair is the right fit for your space, mark a 42 inch by 42 inch space on the floor with tape. The area that you mark will essentially be the footprint of the stair and it will give you an accurate idea of how the stair will fit in your space.

## Clear Walking Space

While going through a hole in the floor is a common application for spiral stairs, many of our customers install their Mylen spiral staircase at the face of a loft or deck. If that is the case, you will want to think about two things: your desired clear walking space and whether you want to meet building code.

When we talk about “clear walking space,” we are focusing on the physical area you have to walk up and down the stairs. One of the major benefits of a spiral staircase is the large surface of each step in a small space. This amount of clear walking space is determined by your stair’s diameter. Starting at a 3’6” diameter, your clear walking space will increase by 3” for every 6” of additional diameter.



It can be hard to envision these measurements without physically seeing them. A quick trick to seeing your clear walking space is to use a sliding door in your home. Slide open your door to match the clear walking space for your diameter. For instance, if you choose a 3’6” diameter, open your door exactly 17”. This 17”



represents the clear walking space you would get with our smallest 3'6" stair. Use the chart above as a guide to determine what the most comfortable walking space is for you and your guests. This can help you narrow down your diameter measurements if you are having difficulty.

Clear Walking Space Guide	
Stair Diameter	Clear Walking Space
3'6"	17"
4'0"	20"
4'6"	23"
5'0"	26"
5'6"	29"
6'0"	32"

Your measurements may be defined by your staircase's surroundings. If you need a smaller stair with a 3'6" or 4' diameter, you will have a smaller clear walking space, but it is still completely safe to use. This is because the structural integrity of our stairs does not change with diameter size. We stand behind our build and offer a lifetime warranty on all welding and fabrication.

If you have a larger amount of space for your spiral staircase, you can choose to install a larger stair that will provide a more clear walking space. Generally speaking, a stair with a diameter of 5' or larger is going to be very comfortable for your application.

### Staircase Diameter

Now that you know the tread count, footprint and clear walking space, you are ready to choose the right diameter. Diameter can be defined as a straight line going through the center of a circle connecting two points on the circumference. In other words, when we ask you what diameter you would like for your stair what we are really asking is, "How wide do you want your spiral stair to be?"

At Mylen, the smallest stair diameter we offer is 3'6", which translates to a 42" diameter. If you are going through a hole in the floor your finished floor opening should be two inches greater than your stair's diameter. For example, if you are using a 3'6" spiral stair to get you access to an attic through a hole in the floor then you would need a finished floor opening of 44 inches x 44 inches. The extra two inches ensure that you fingers will travel freely and unhindered as you walk up the spiral stair. Matching the floor opening to the exact measurement of your stair's diameter would cause your fingers to pinch while using the handrail.



## Find Your Style

The hard part's done! Now that you have all your measurements, considerations and specification information together, the fun part can start! Myleen offers many design styles, color choices, tread coverings, handrail material options and baluster / baluster infill options! We are sure you can find something that will bring your vision to life!

We appreciate you have a lot of choices and decisions to make for your project. We are honored to be a part of your home and remember, our fantastic customer and product support teams are here to answer any questions you have and help you along the way. Just give us a call at (855) 869-8594 or visit [myleenstairs.com](http://myleenstairs.com) and we'll help out in any way we can!

