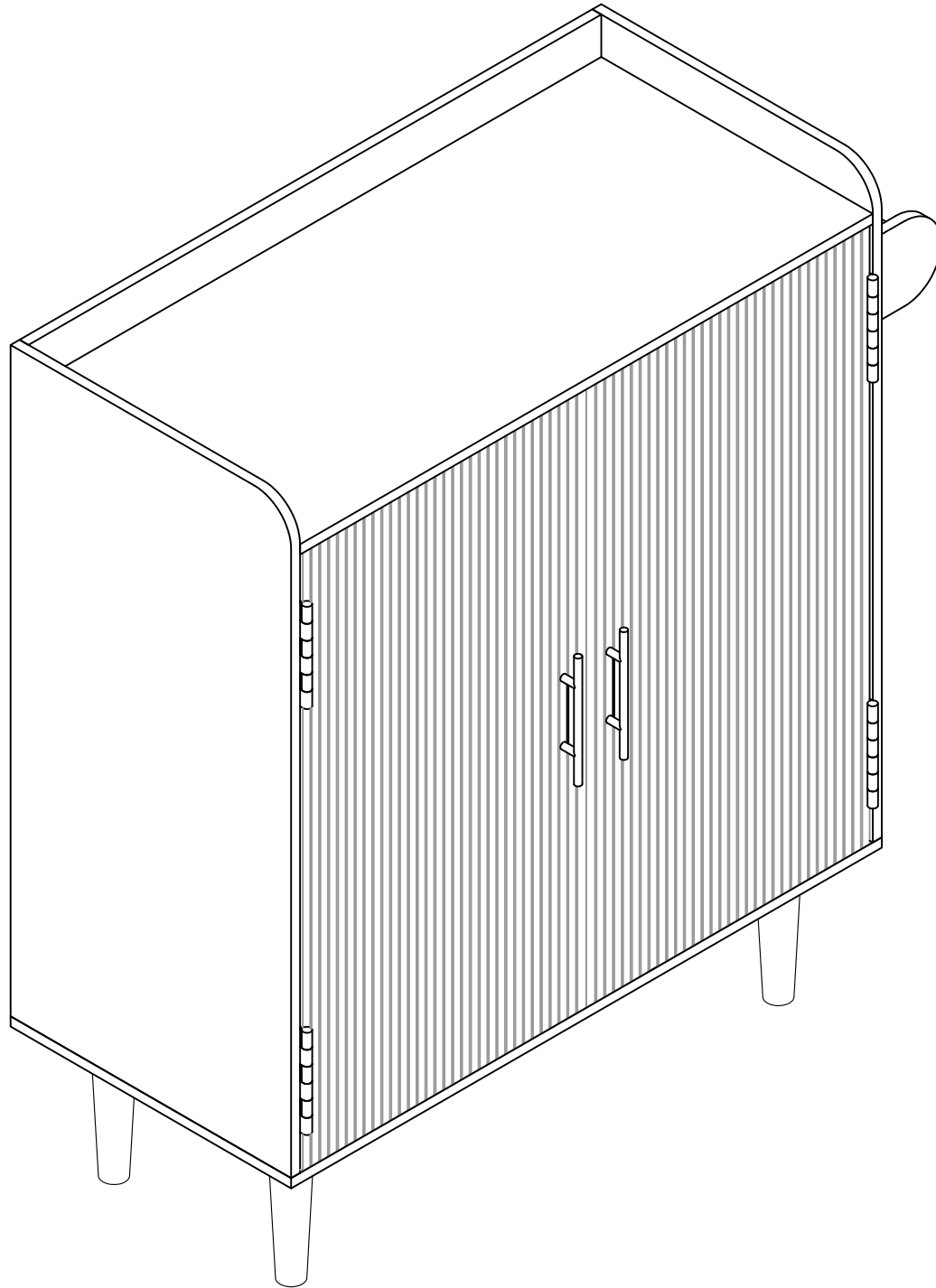


STORAGE CABINET

Assembly Instructions-Please keep for future reference

SKU:N728P438606



! WARNING	
	This product is NOT a Clothing Storage Unit (CSU). DO NOT use it for clothing storage. Improper use may cause furniture tipover.

Important -Please read these instructions fully before starting assembly

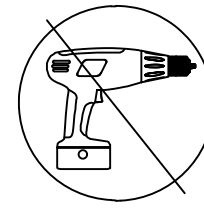


Safety and Care Advice

Important - Please read these instructions fully before starting assembly

- . Check you have all the components and tools listed on the following pages.
- . Remove all fittings from the plastic bags and separate them into their groups.
- . Keep children and animals away from the work area, small parts could choke if swallowed.
- . Make sure you have enough space to layout the parts before starting.

- . During assembly do not stand or put weight on the product, this could cause damage.
- . Assemble the item as close to its final position (in the same room) as possible.
- . Assemble on a soft level surface to avoid damaging the unit or your floor.
- . Parts of the assembly will be easier with 2 people.



power drill is set on a low torque setting.

- . To reduce the likelihood of damaging your product please ensure that your

Care and maintenance

. Only clean using a damp cloth and mild detergent, do not use bleach or abrasive cleaners.

. From time to time check that there are no loose screws on this unit.

. This product should not be discarded with household waste. Take to your local authority waste disposal centre.

Handy Hints

. Assemble all parts and bolts loosely during assembly, only once the product is complete should you fully tighten the bolts

. Regularly check and ensure that all bolts and fittings are tightened properly.

WARNING In order to help prevent overturning - please follow these instructions

To help prevent product toppling over please follow the below steps:-

- Use the anti tip strap or wall fixing method provided (if applicable)
- Do not allow children to climb or hang on the furniture
- Do not open more than one drawer at a time
- Do not place heavy items in the top drawers
- Do not place heavy items on top of the furniture, unless the furniture has been designed for this purpose

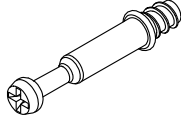

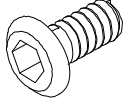
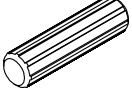
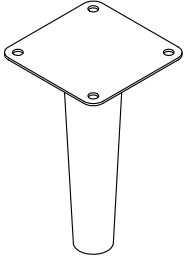
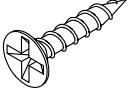
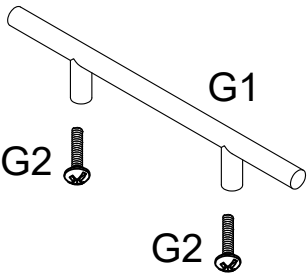
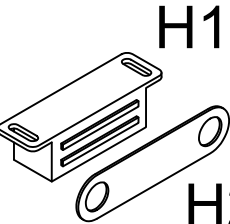
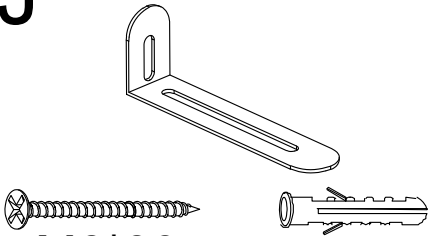
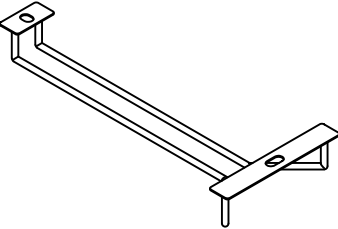
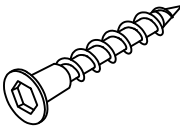
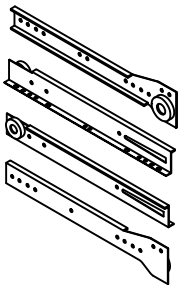
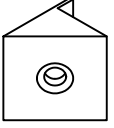
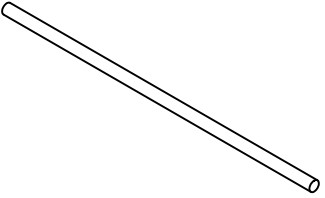
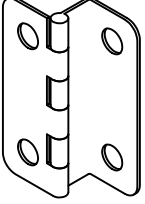
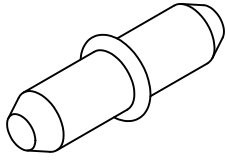
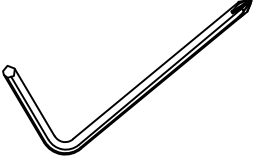
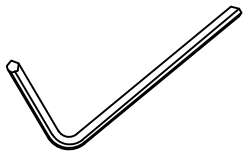
Please note that only the anti tip strap is provided.

You will need to provide wall plugs and screws applicable for your wall type

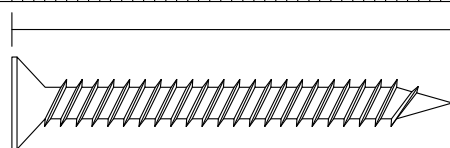
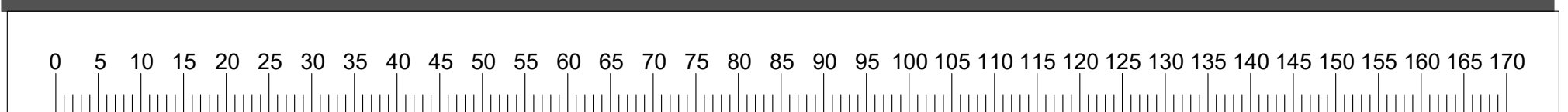
Components - Fittings

Please check you have all the panels listed below

Note: The quantities below are the correct amount to complete the assembly. In some cases more fittings may be supplied than are required.

<p>A</p>  <p>44pcs</p>	<p>B</p>  <p>44pcs</p>	<p>C</p>  <p>M6*10=16pcs</p>	<p>D</p>  <p>6*30=24pcs</p>
<p>E</p>  <p>4pcs</p>	<p>F</p>  <p>M3*12=44pcs</p>	<p>G</p>  <p>2pcs</p>	<p>H</p>  <p>2pcs</p>
<p>J</p>  <p>M6*30</p> <p>2pcs</p>	<p>K</p>  <p>2pcs</p>	<p>L</p>  <p>M4*40=14pcs</p>	<p>M</p>  <p>CR DR DL CL</p> <p>1pcs</p>
<p>N</p>  <p>8pcs</p>	<p>P</p>  <p>1pcs</p>	<p>Q</p>  <p>4pcs</p>	<p>R</p>  <p>4pcs</p>
<p>S</p>  <p>1pcs</p>	<p>T</p>  <p>1pcs</p>		

Ruler- Use this ruler to help correctly identify the screws



The screws length is measured from the head to the point (35mm screw shown).

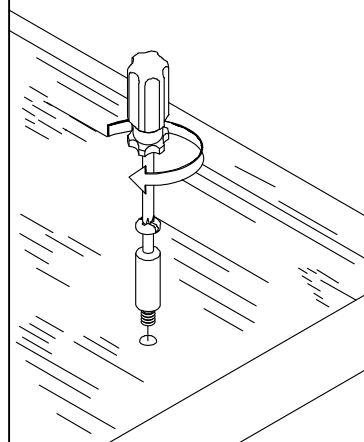
Using Camlocks

Step 1

Connect the camlock as directed in the assembly Instructions using a screwdriver.

1

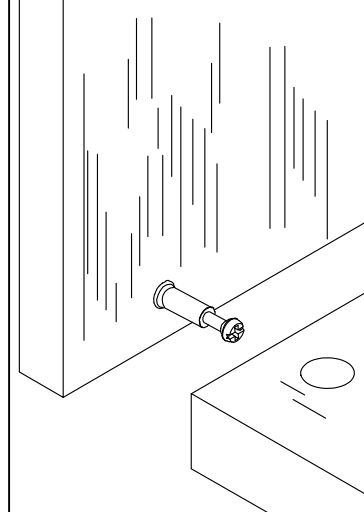
DO NOT OVER TIGHTEN.
NE PAS SERRER EXCESSIVEMENT.



Step 2

Push the male camlock into the entry hole.

2

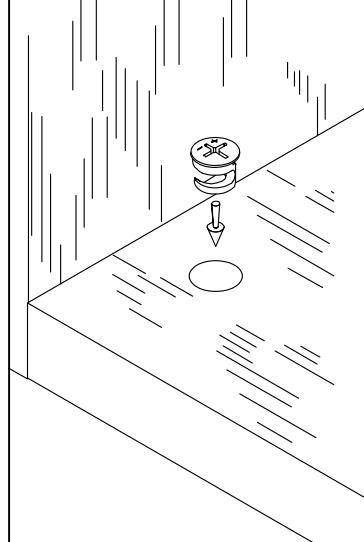


Step 3

Insert the female camlock as shown in the instruction.

Note: ensure that the arrow on the top of the camlock points towards the entry hole for the male camlock.

3



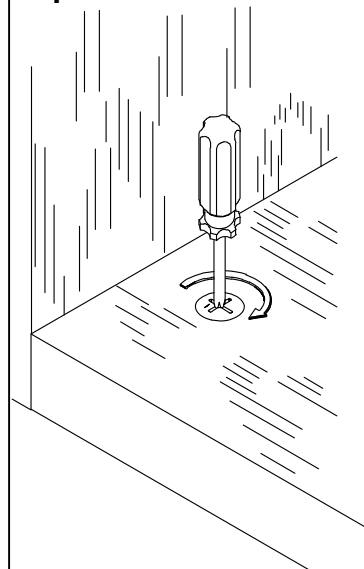
Step 4

Turn the female camlock clockwise with a screwdriver.

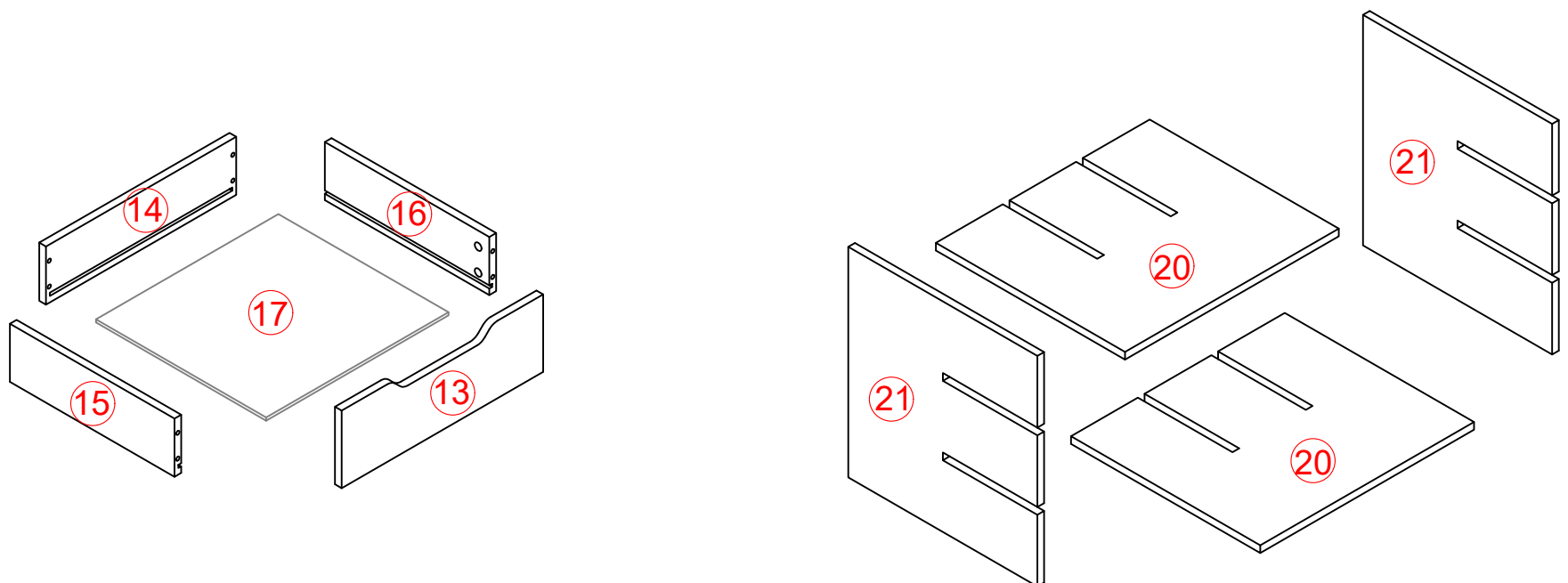
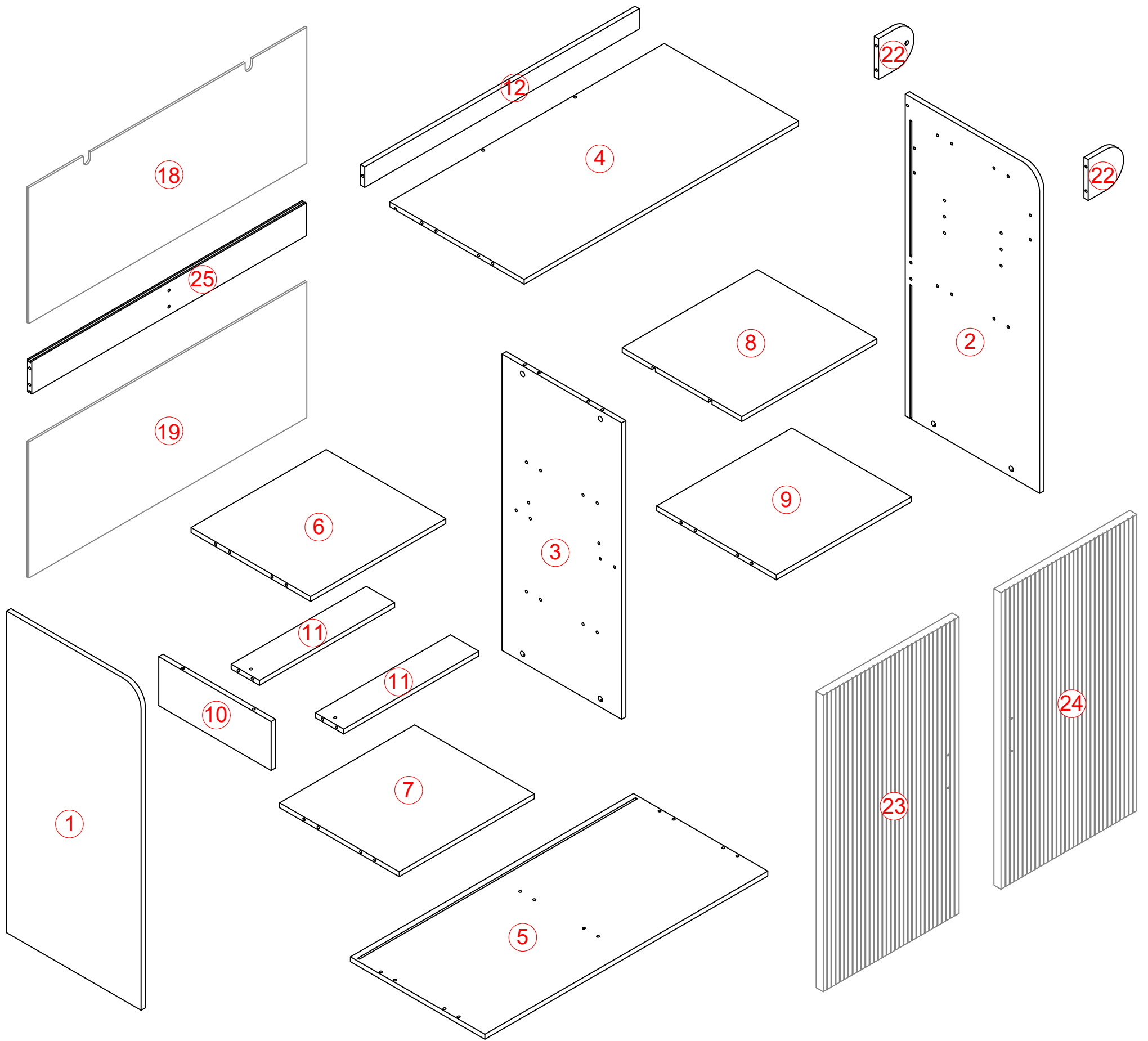
You should feel a click when the camlock is locked in place.

The joint is now secure.

4

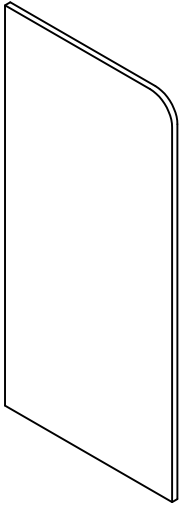


Assembly Instructions



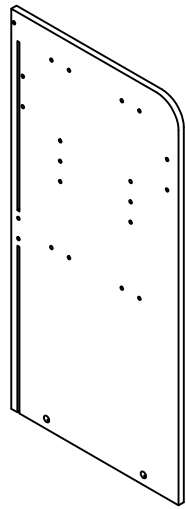
Assembly Instructions

①



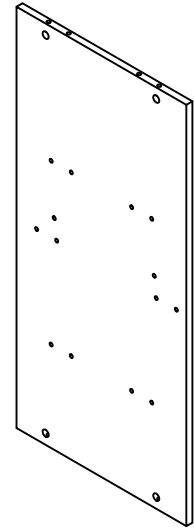
1pc

②



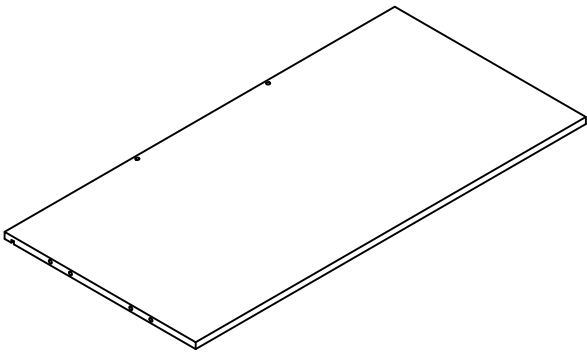
1pc

③



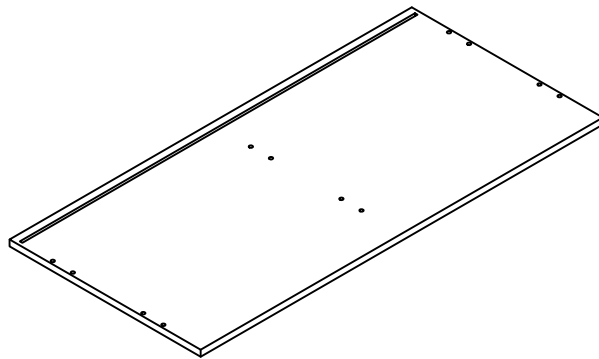
1pc

④



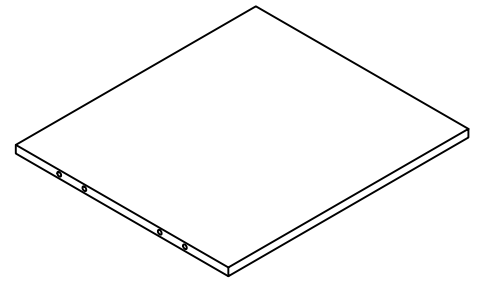
1pc

⑤



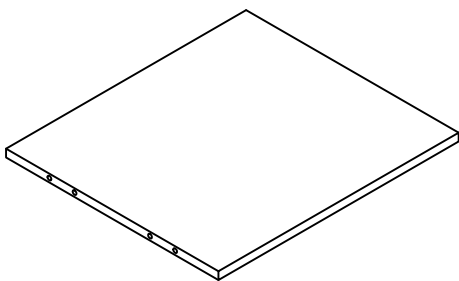
1pc

⑥



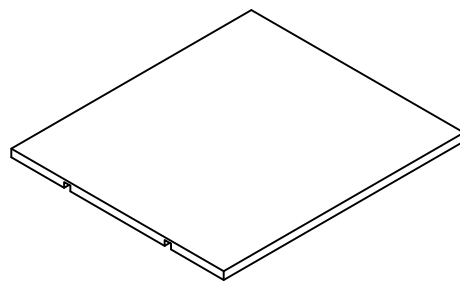
1pc

⑦



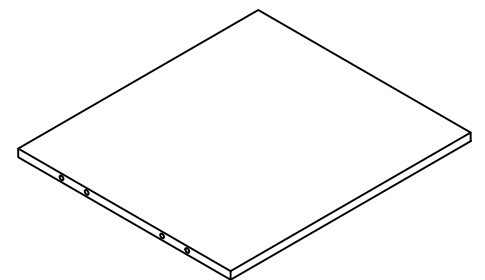
1pc

⑧



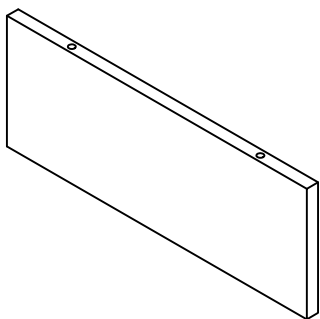
1pc

⑨



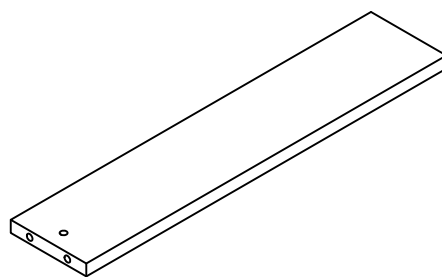
1pc

⑩



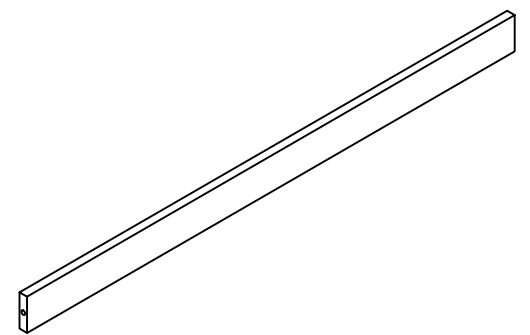
1pc

⑪



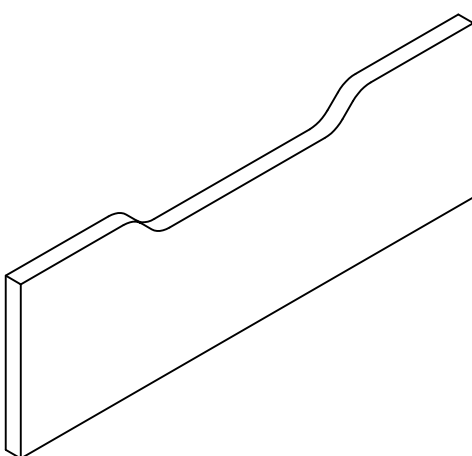
2pc

⑫



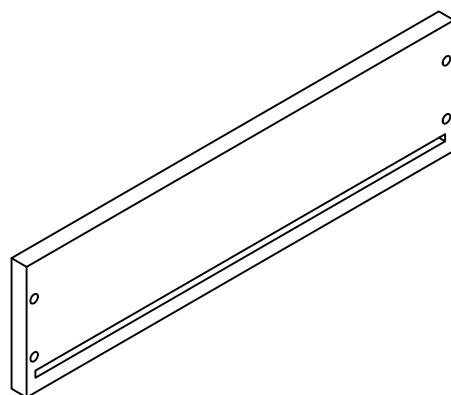
1pc

⑬



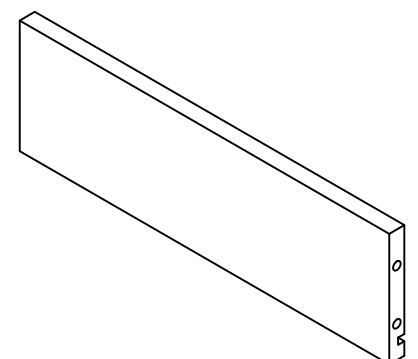
1pc

⑭



1pc

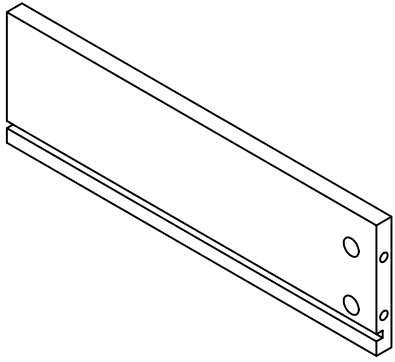
⑮



1pc

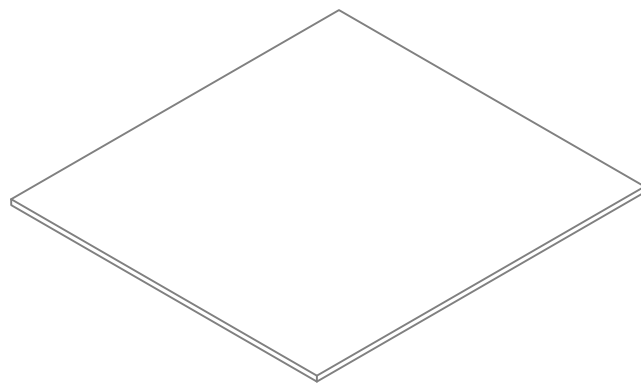
Assembly Instructions

16



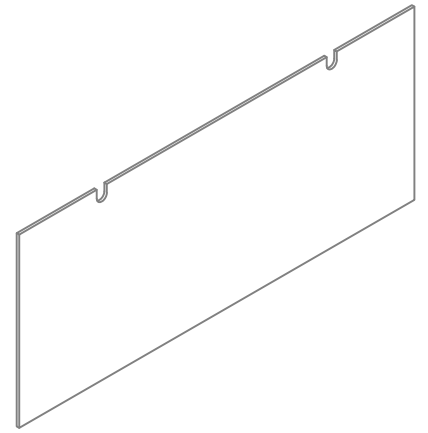
1pc

17



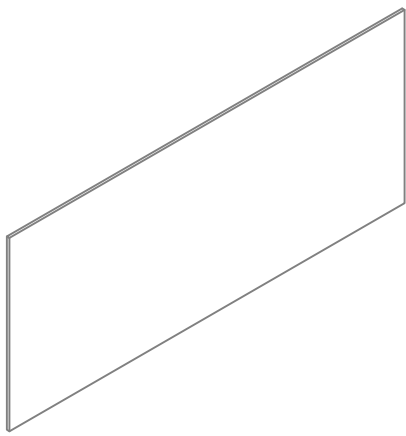
1pc

18



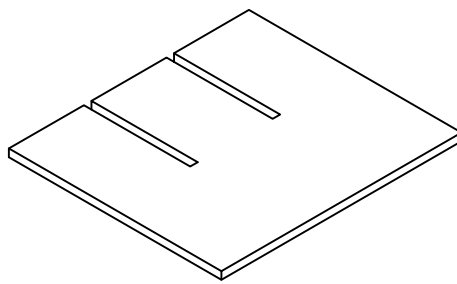
1pc

19



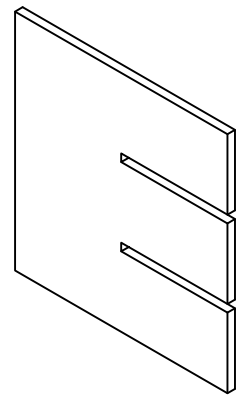
1pc

20



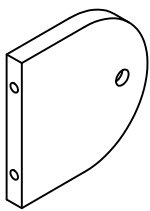
2pc

21



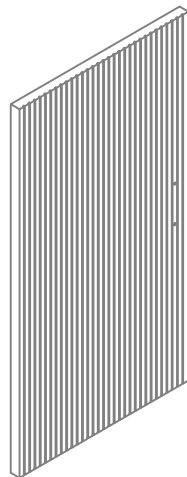
2pc

22



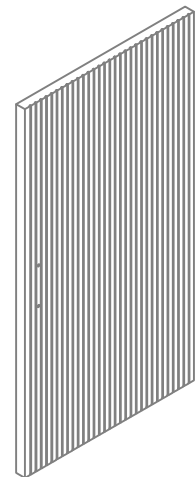
2pc

23



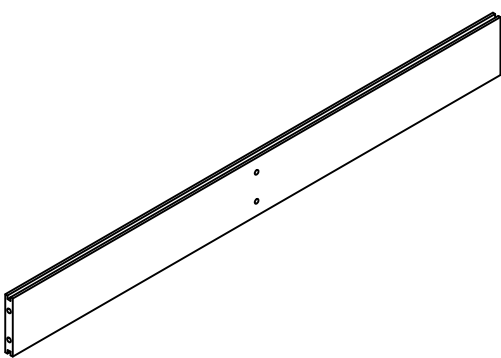
2pc

24



1pc

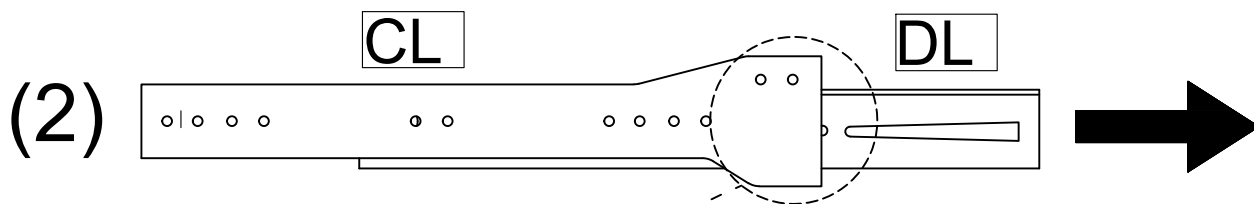
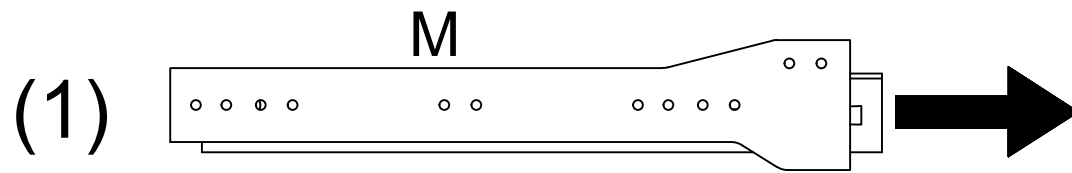
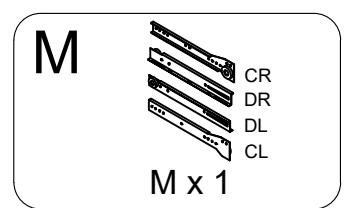
25



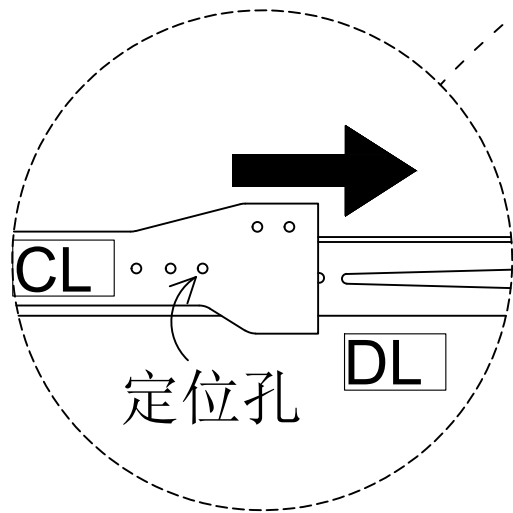
1pc

Assembly Instructions

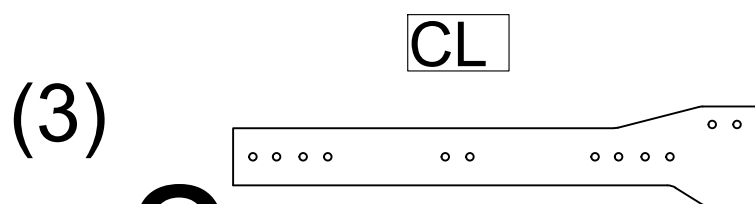
Step 1



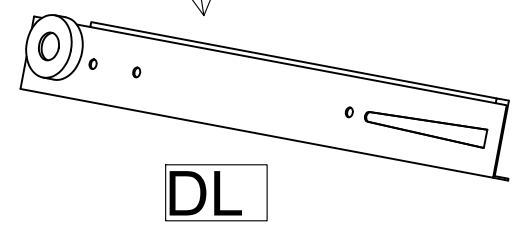
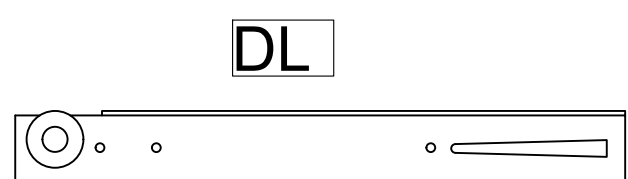
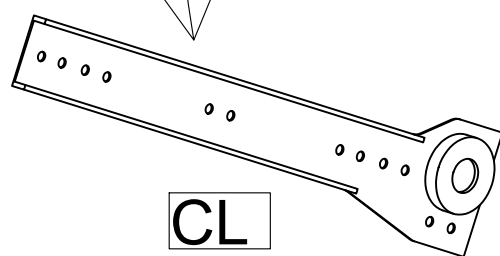
x2



Move the black paddle upward and pull out (M2) to the right.

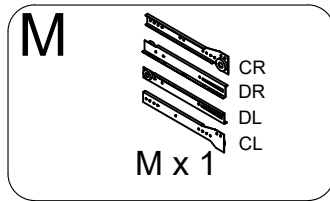
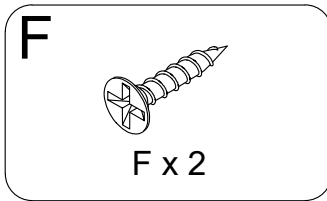
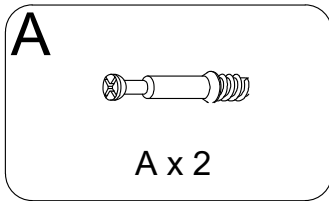
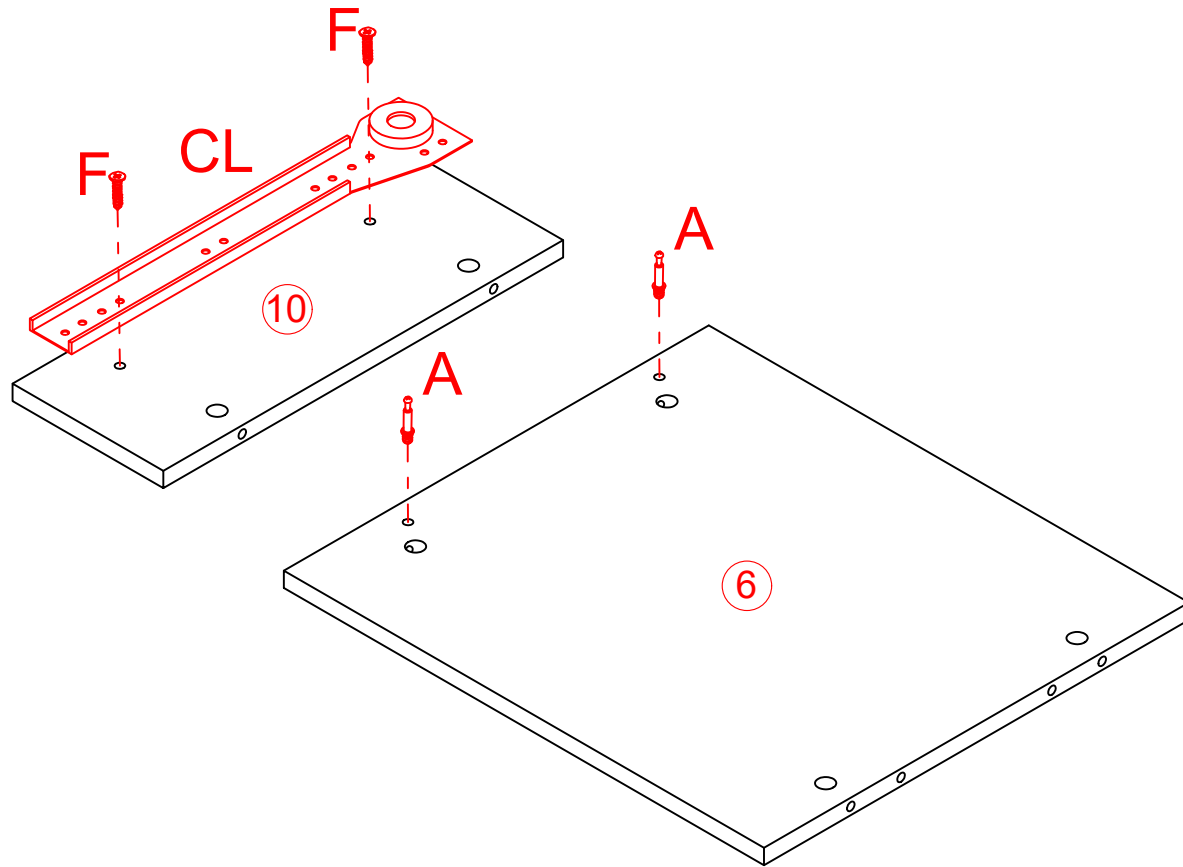
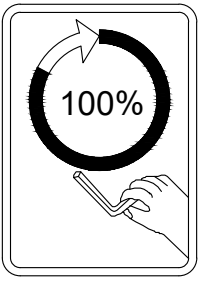


x2

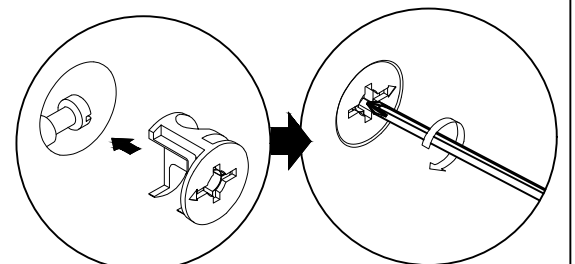
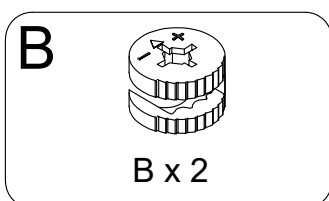
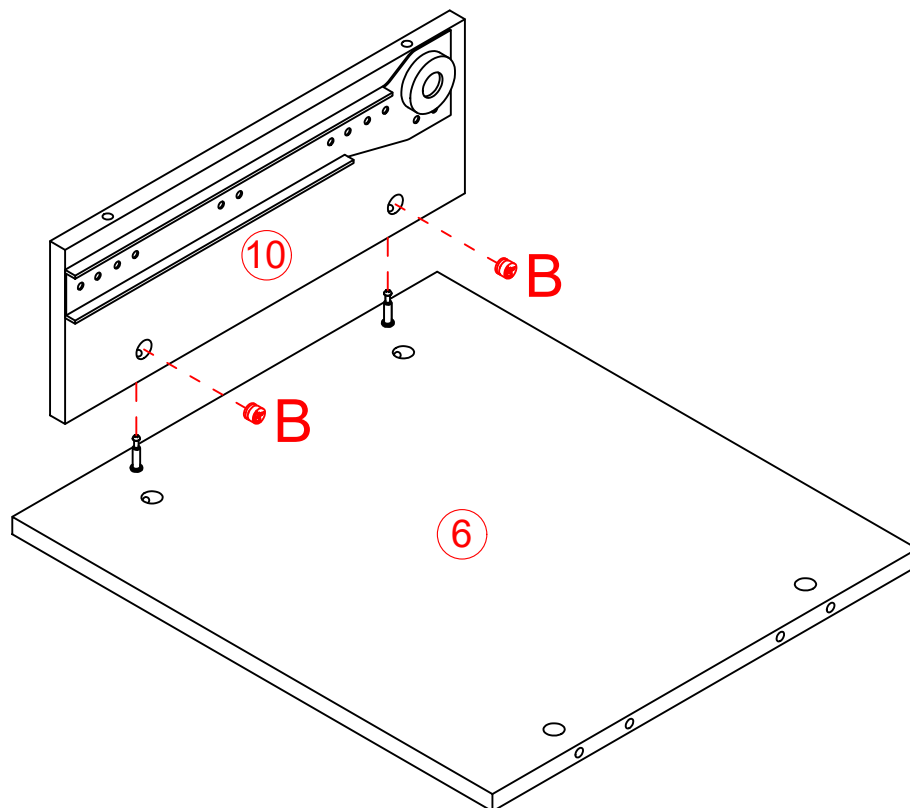
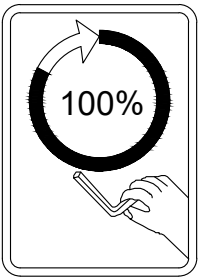


Assembly Instructions

Step 2

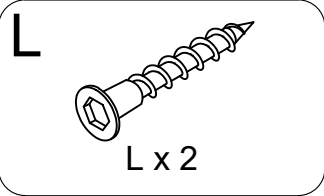
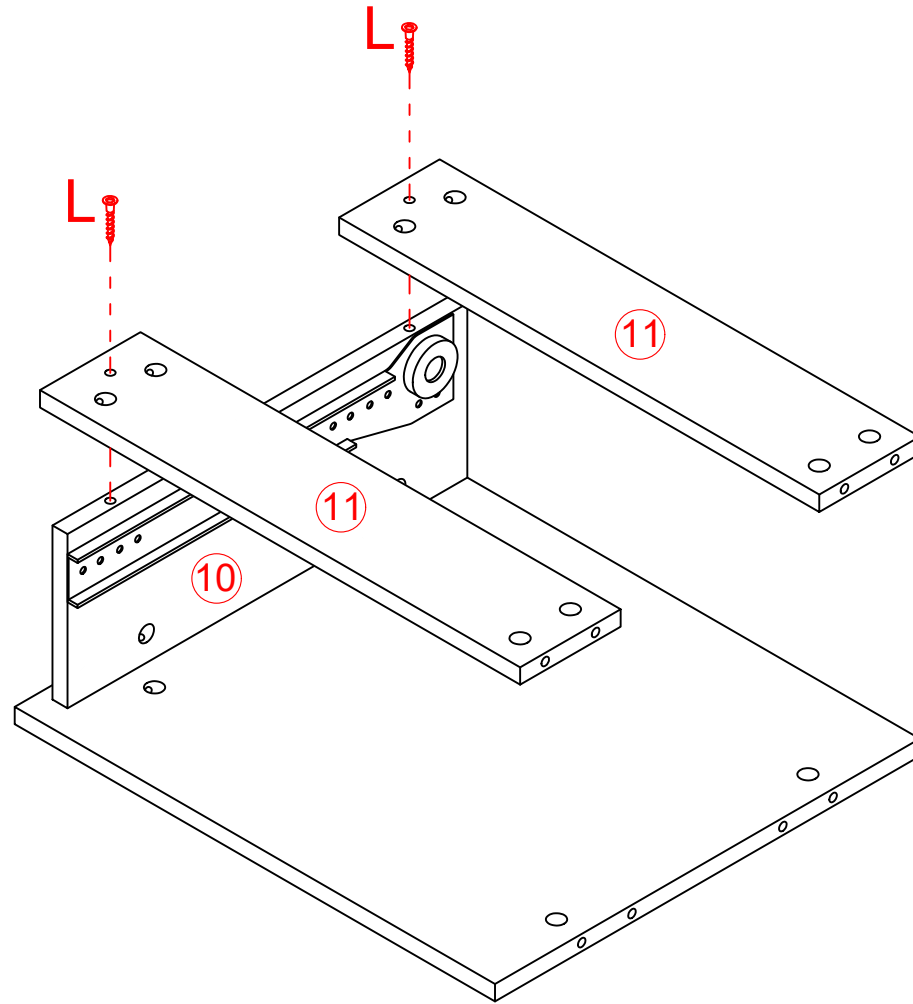
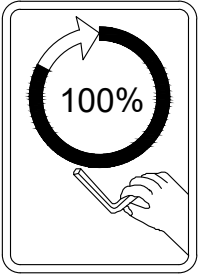


Step 3

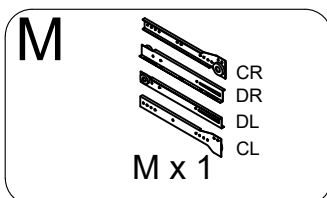
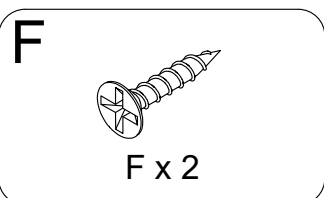
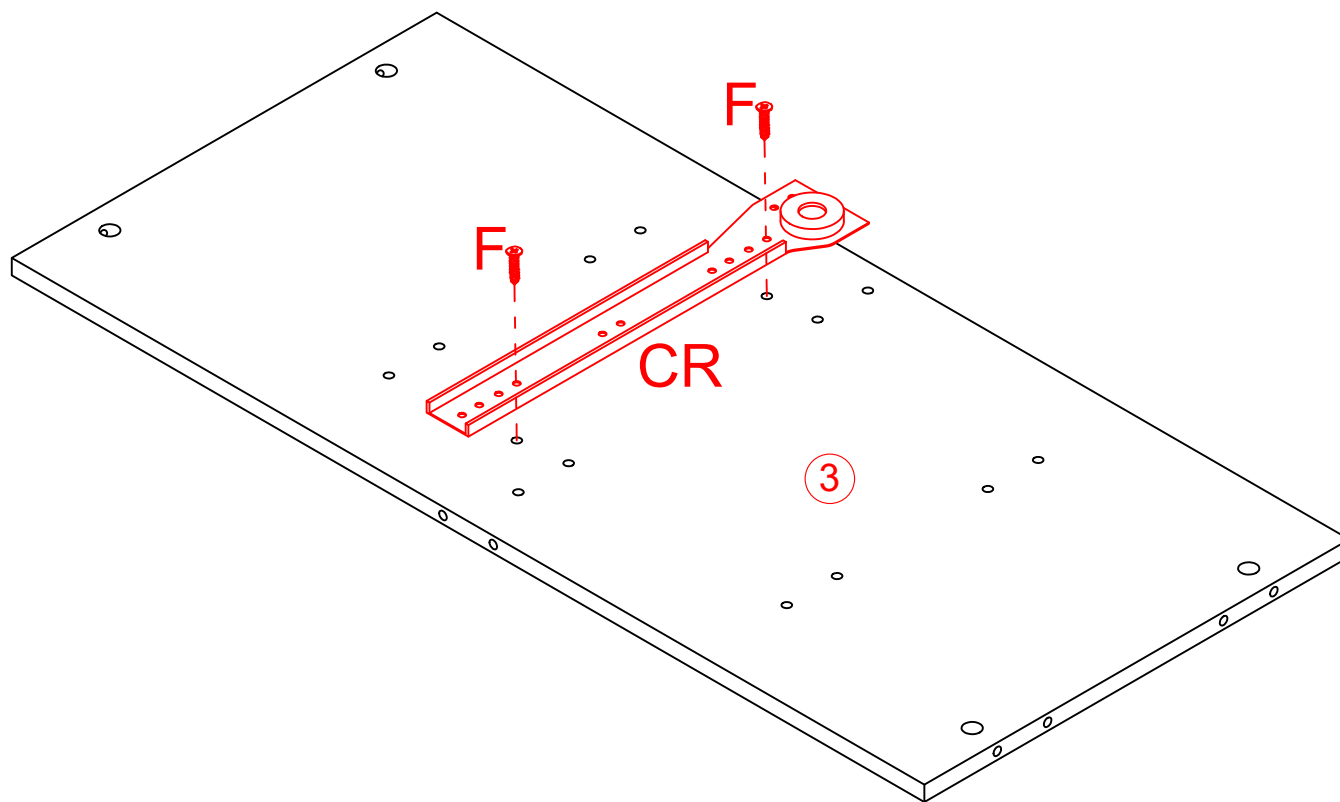
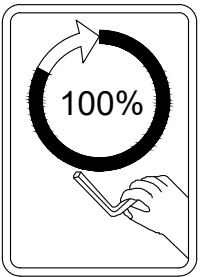


Assembly Instructions

Step4

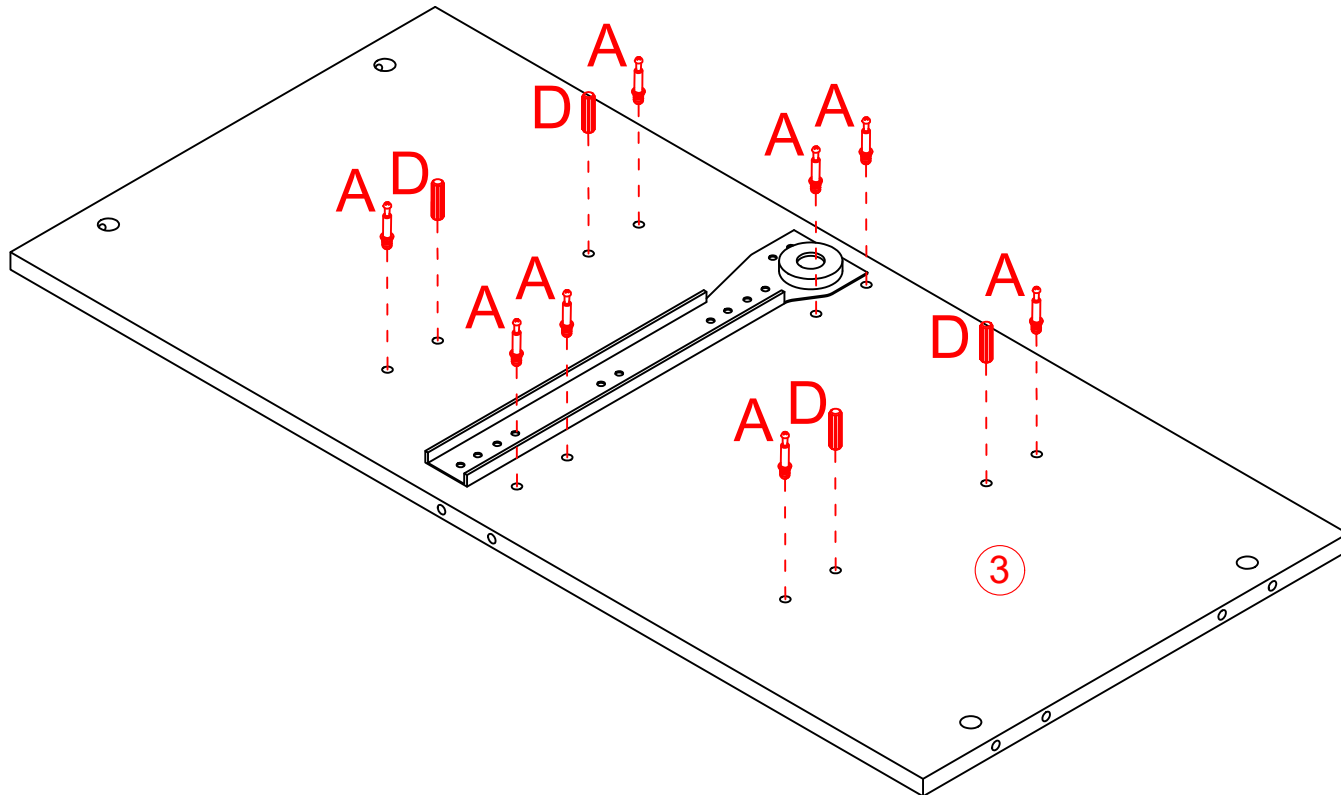
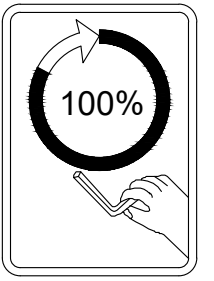


Step5

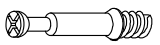


Assembly Instructions

Step 6

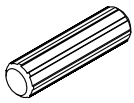


A



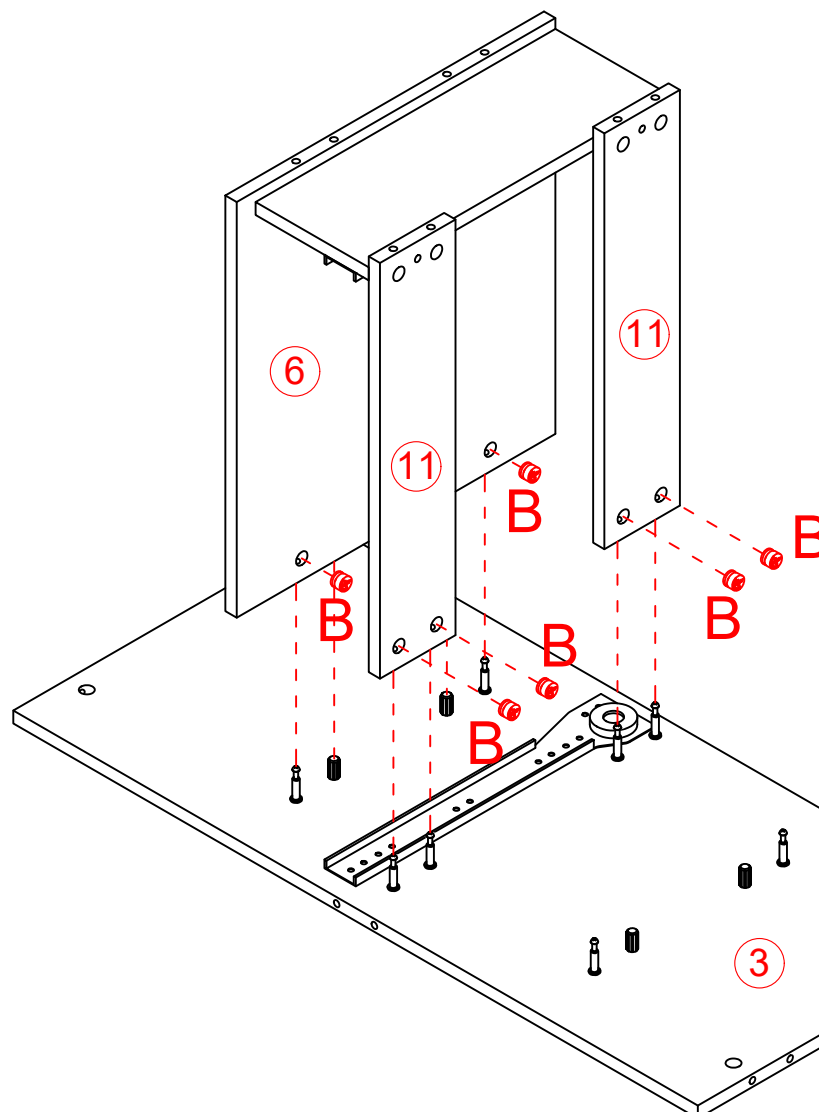
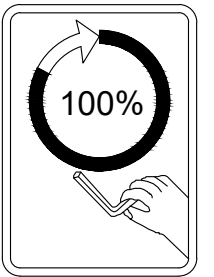
A x 8

D

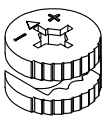


D x 4

Step 7



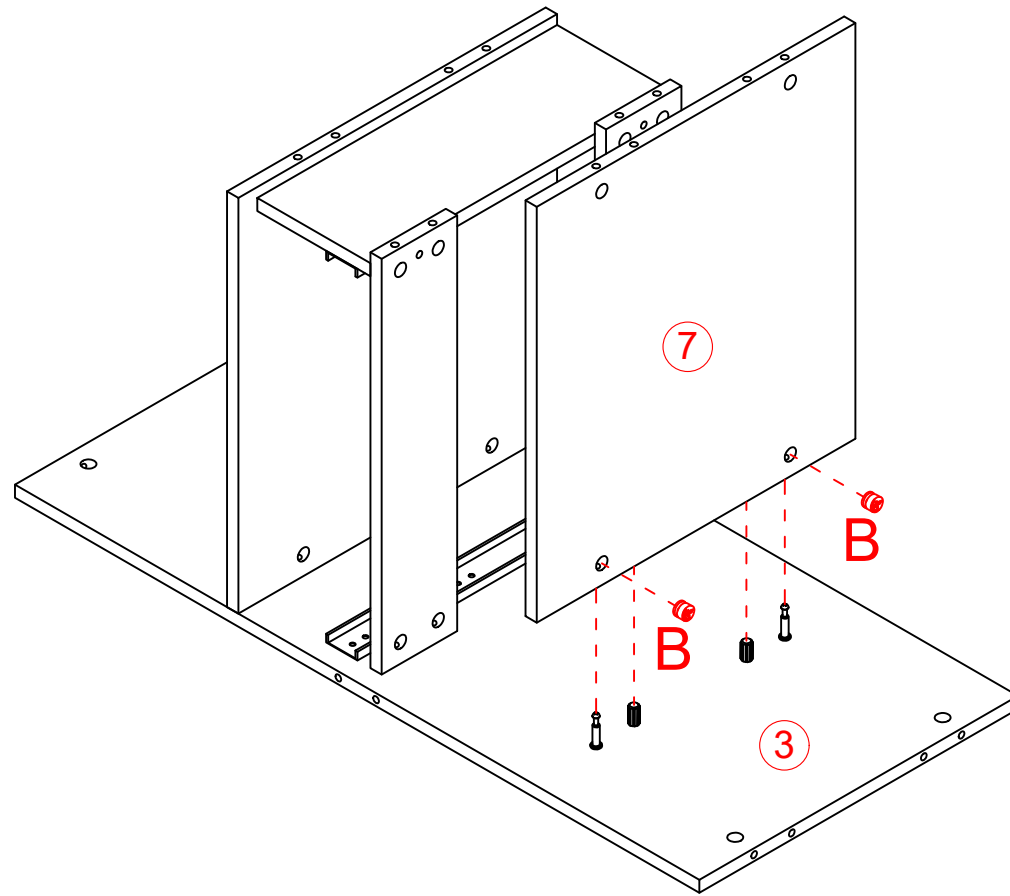
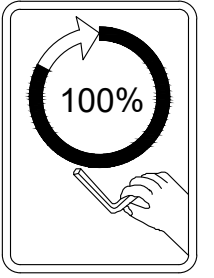
B



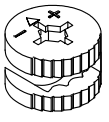
B x 6

Assembly Instructions

Step 8

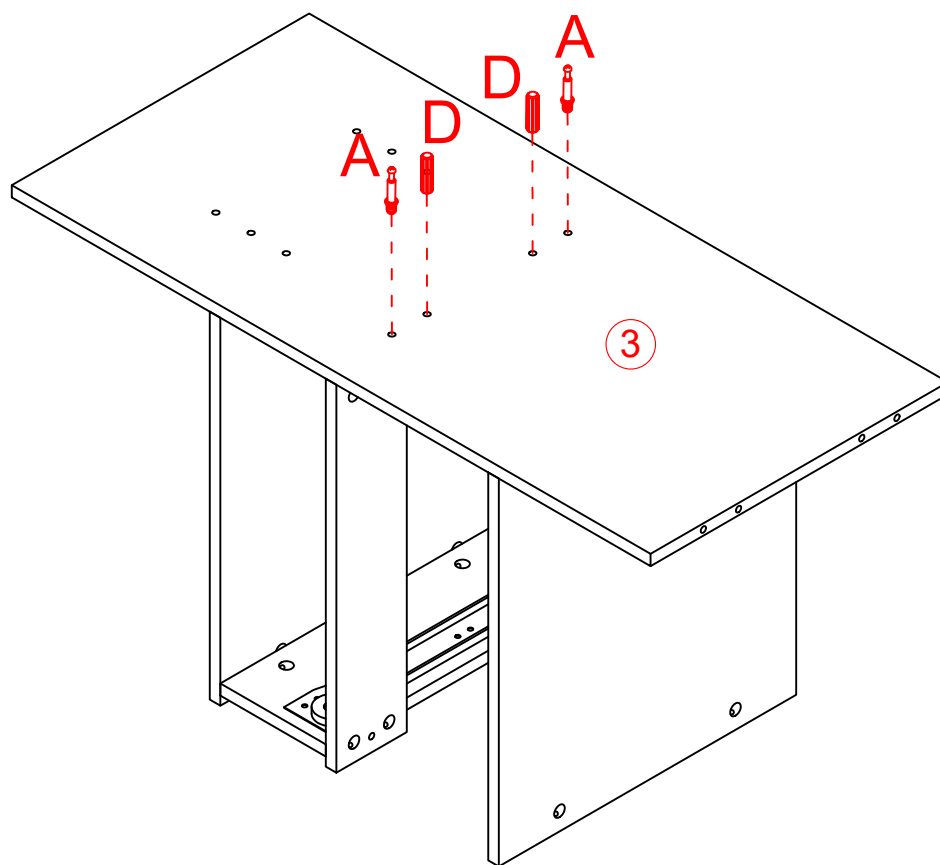
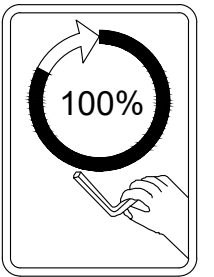


B

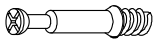


B x 2

Step 9

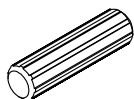


A



A x 2

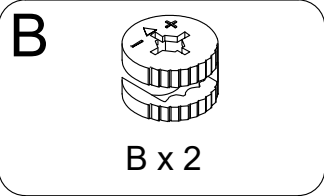
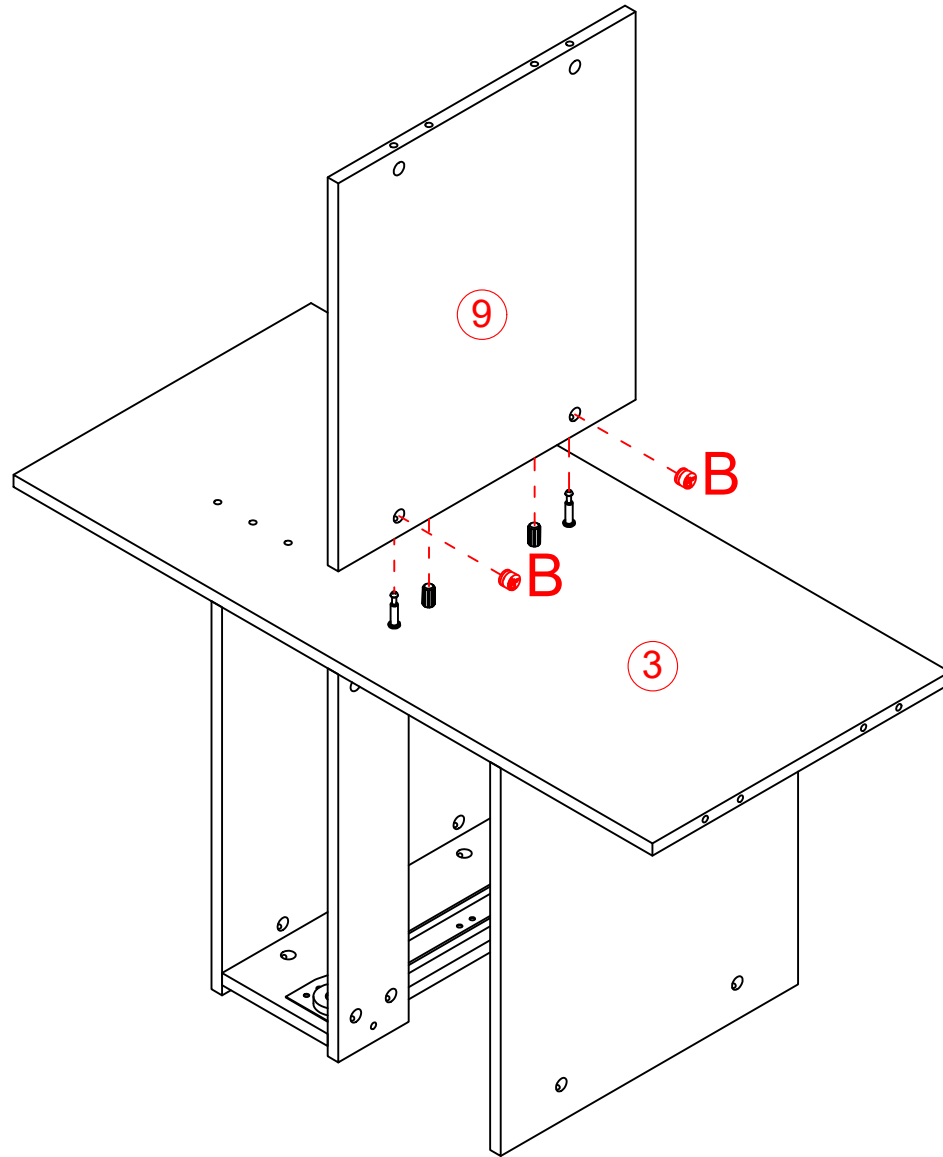
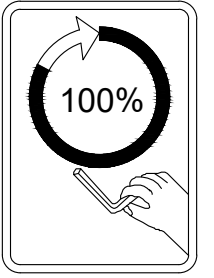
D



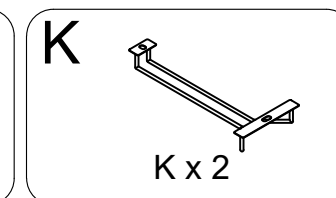
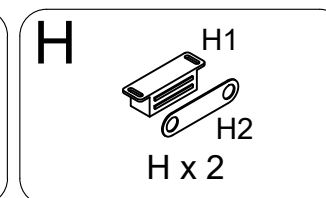
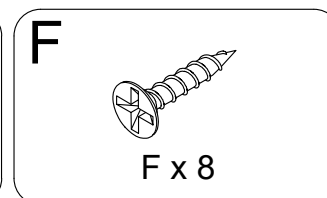
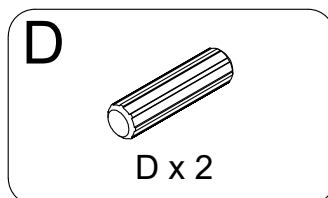
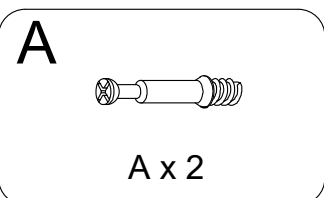
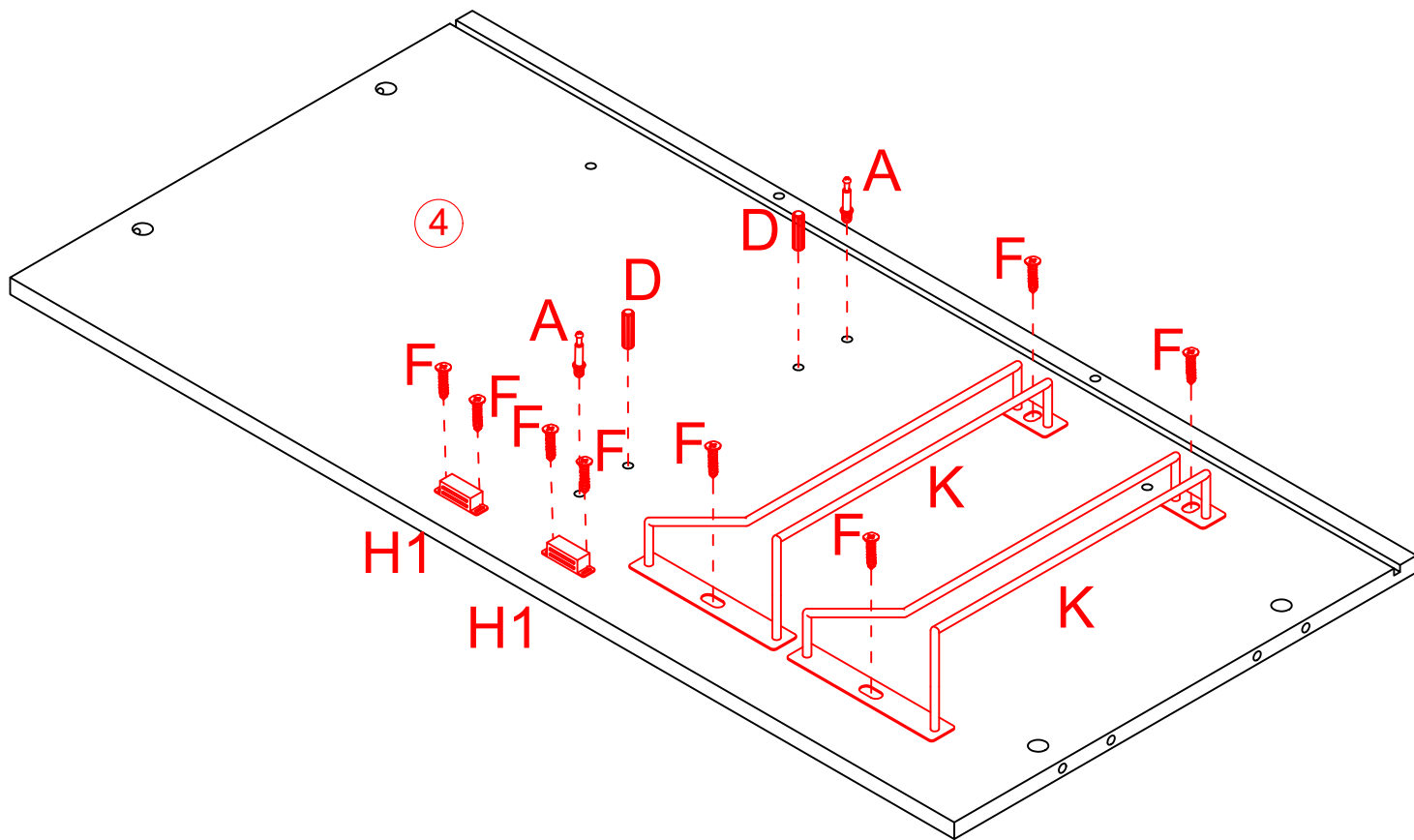
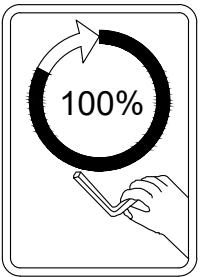
D x 2

Assembly Instructions

Step 10

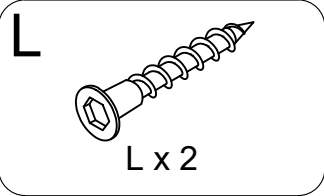
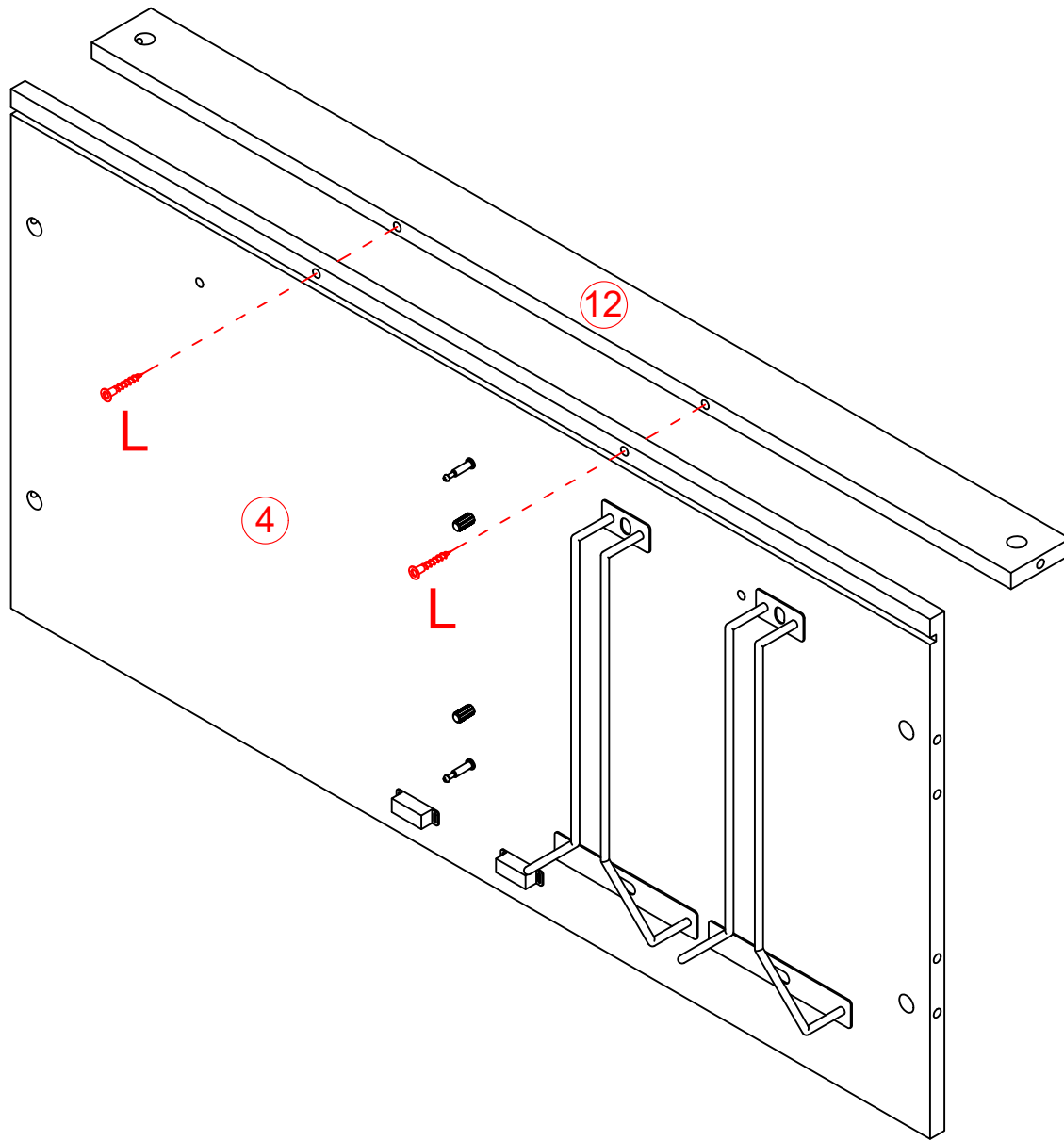
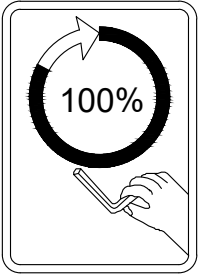


Step 11

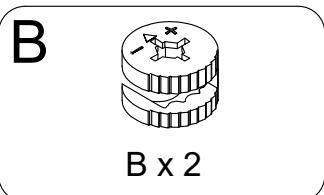
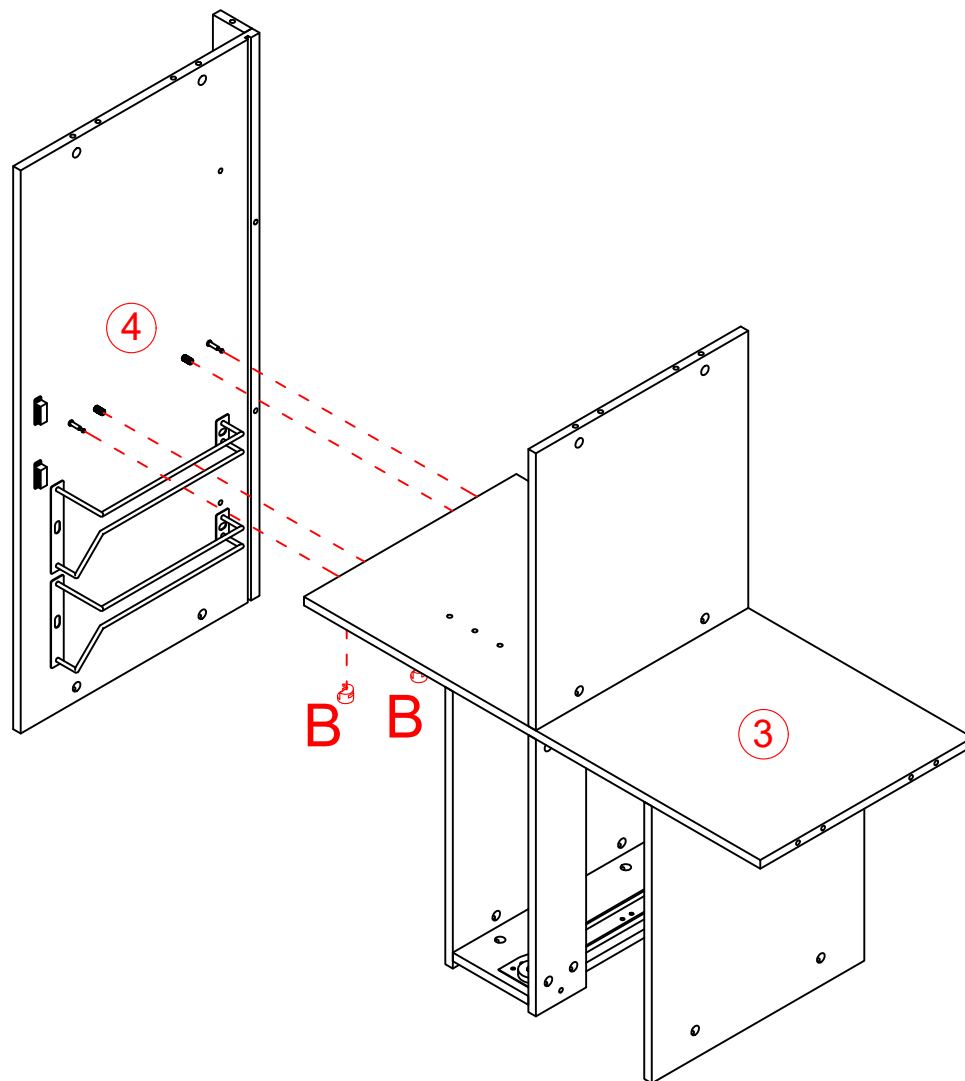
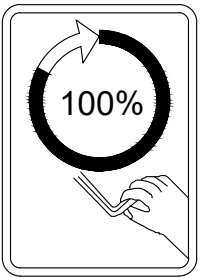


Assembly Instructions

Step 12

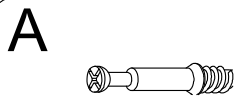
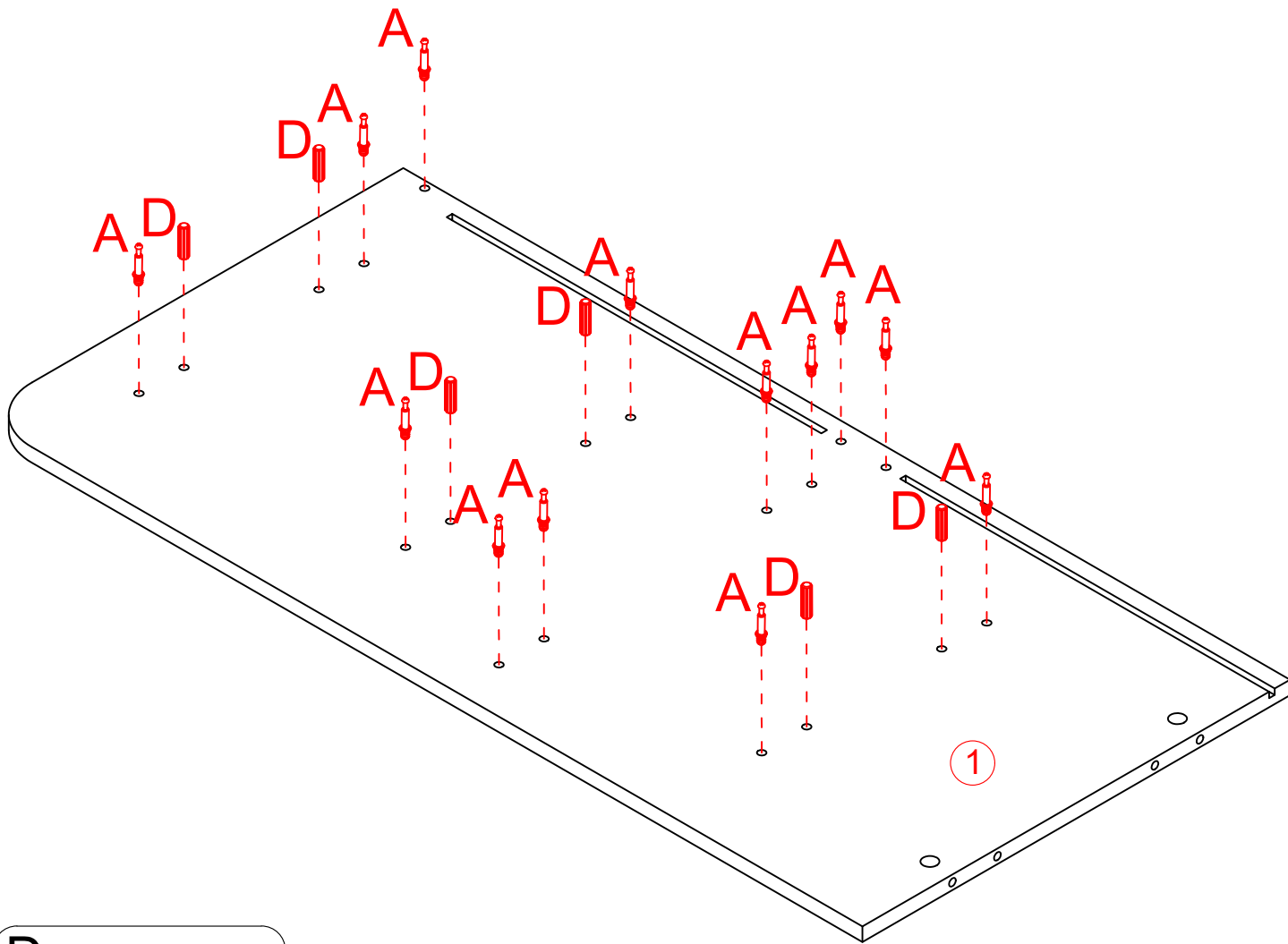
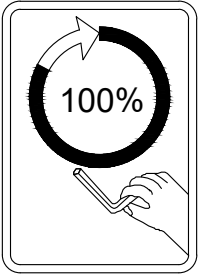


Step 13

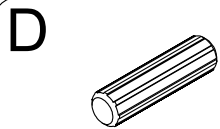


Assembly Instructions

Step 14

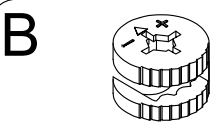
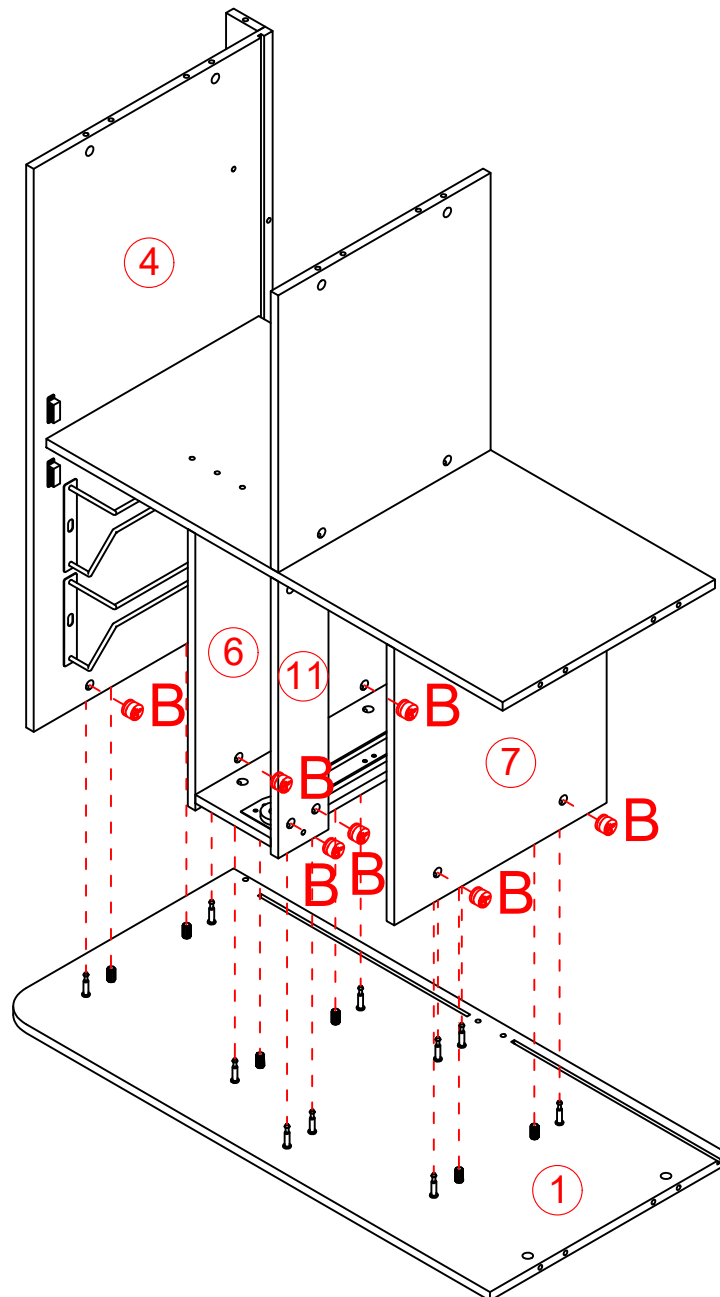
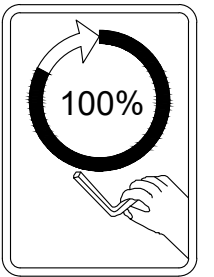


A x 13



D x 6

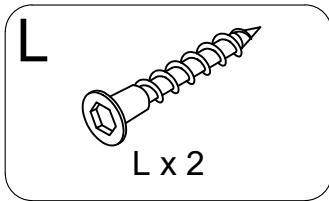
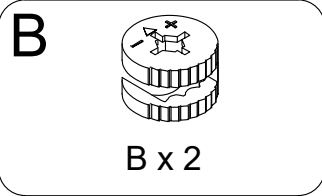
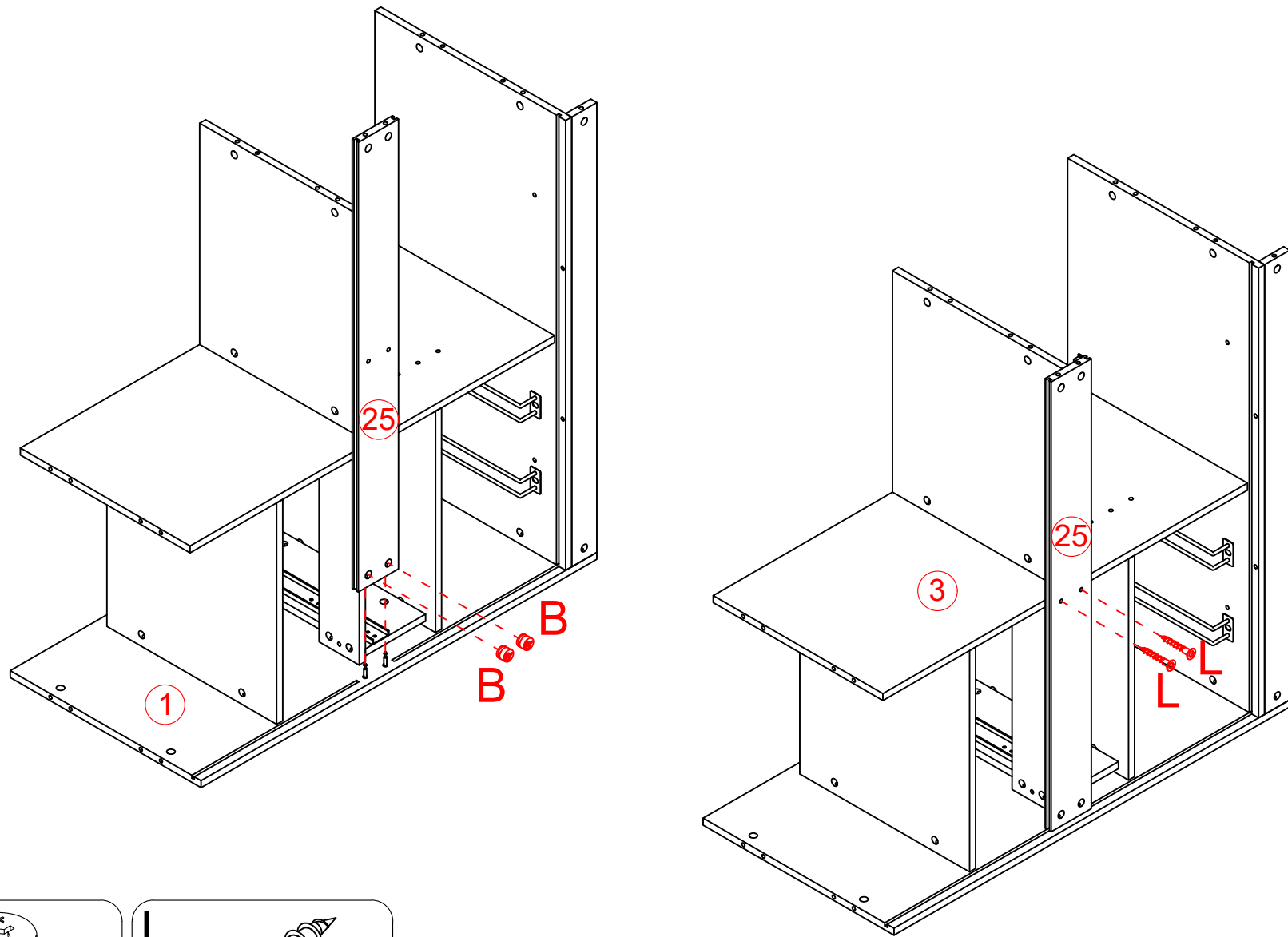
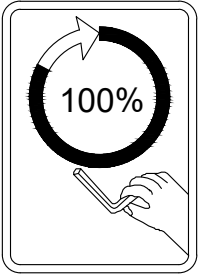
Step 15



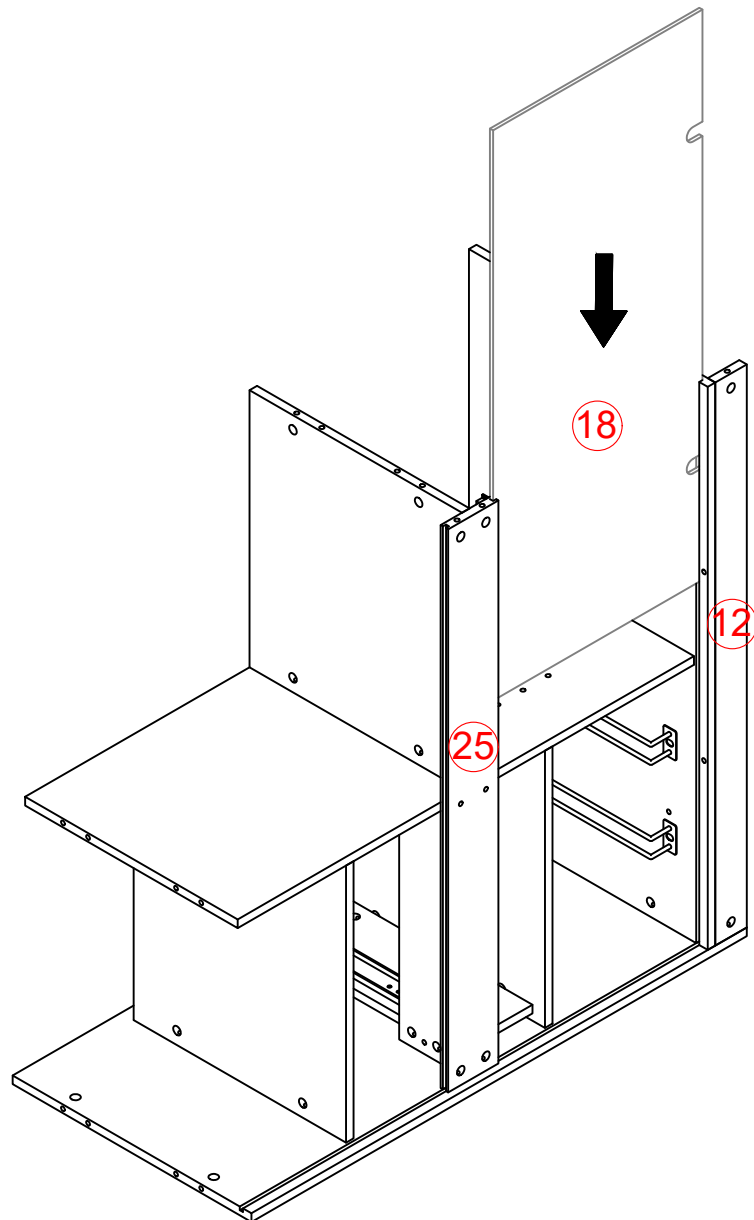
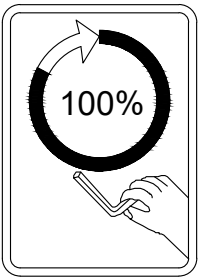
B x 10

Assembly Instructions

Step 16

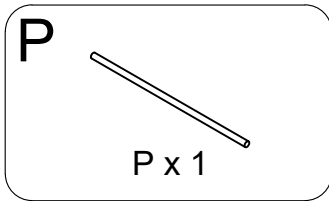
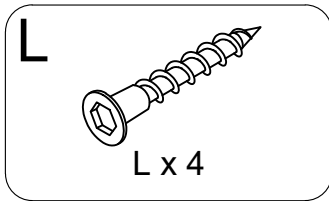
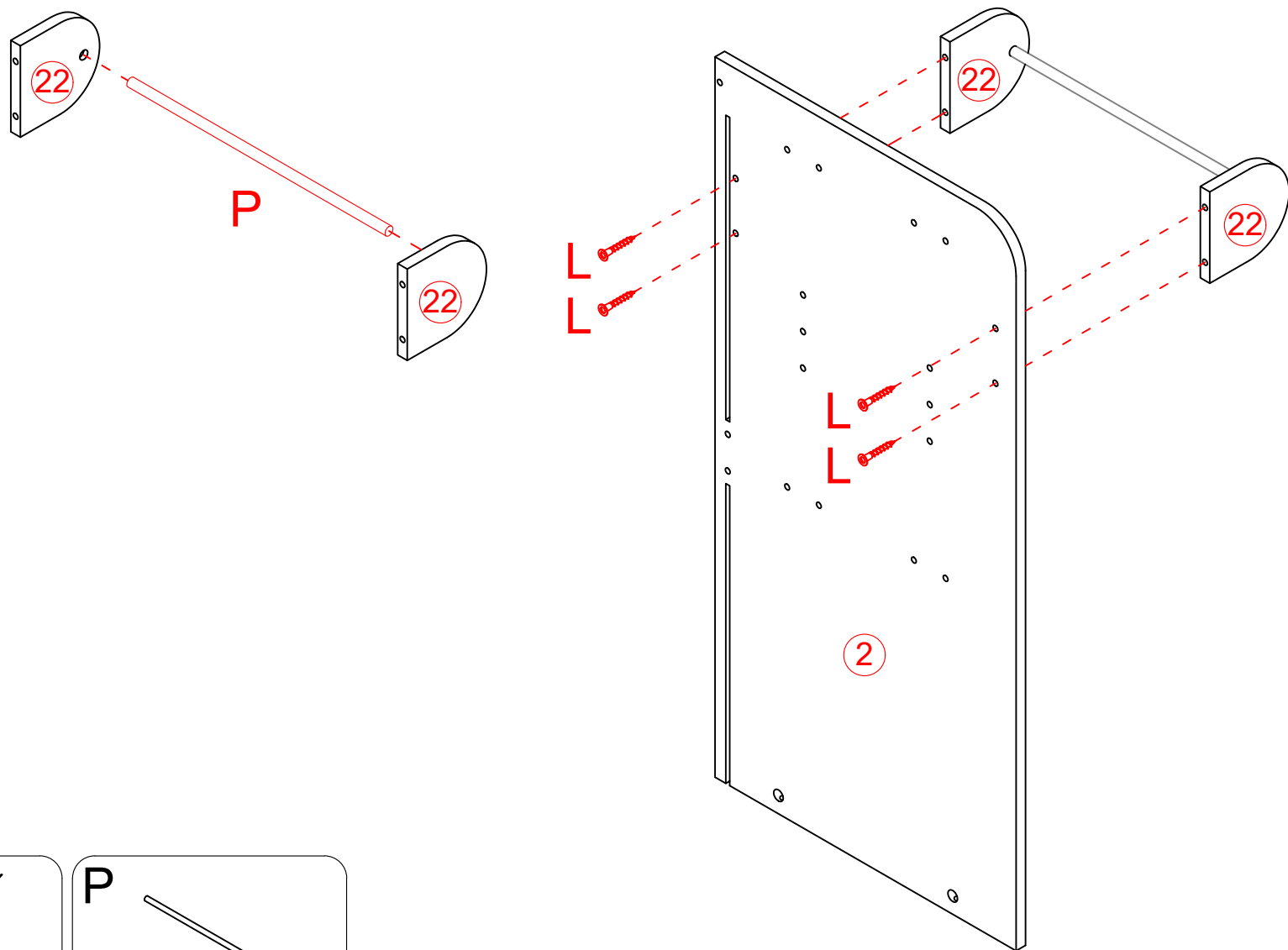
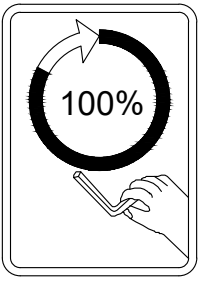


Step 17

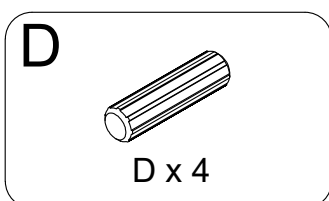
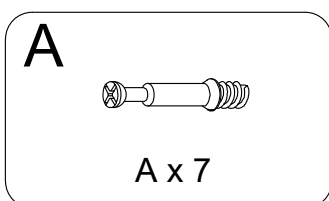
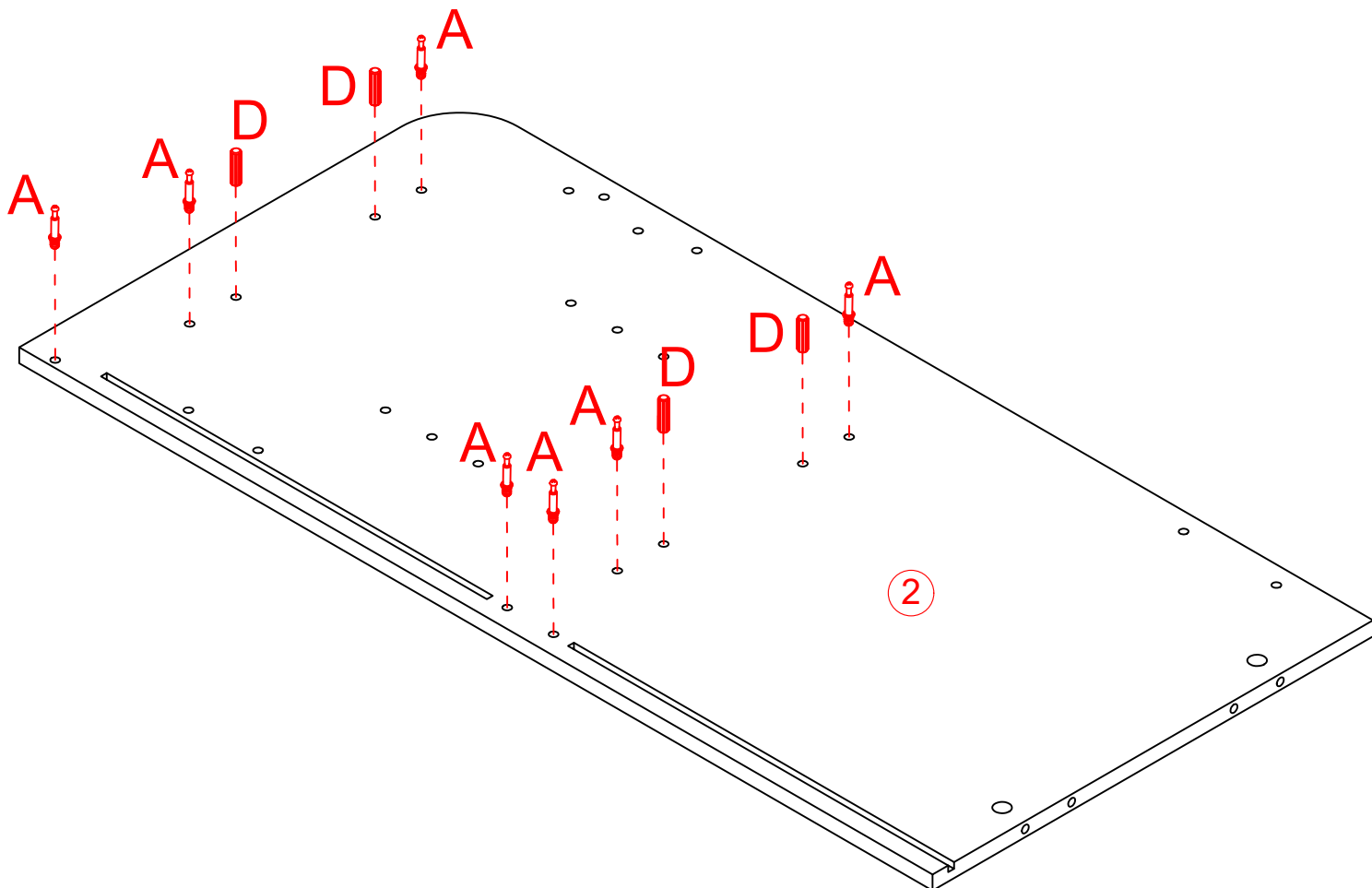
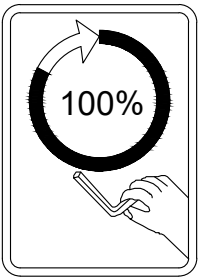


Assembly Instructions

Step 18

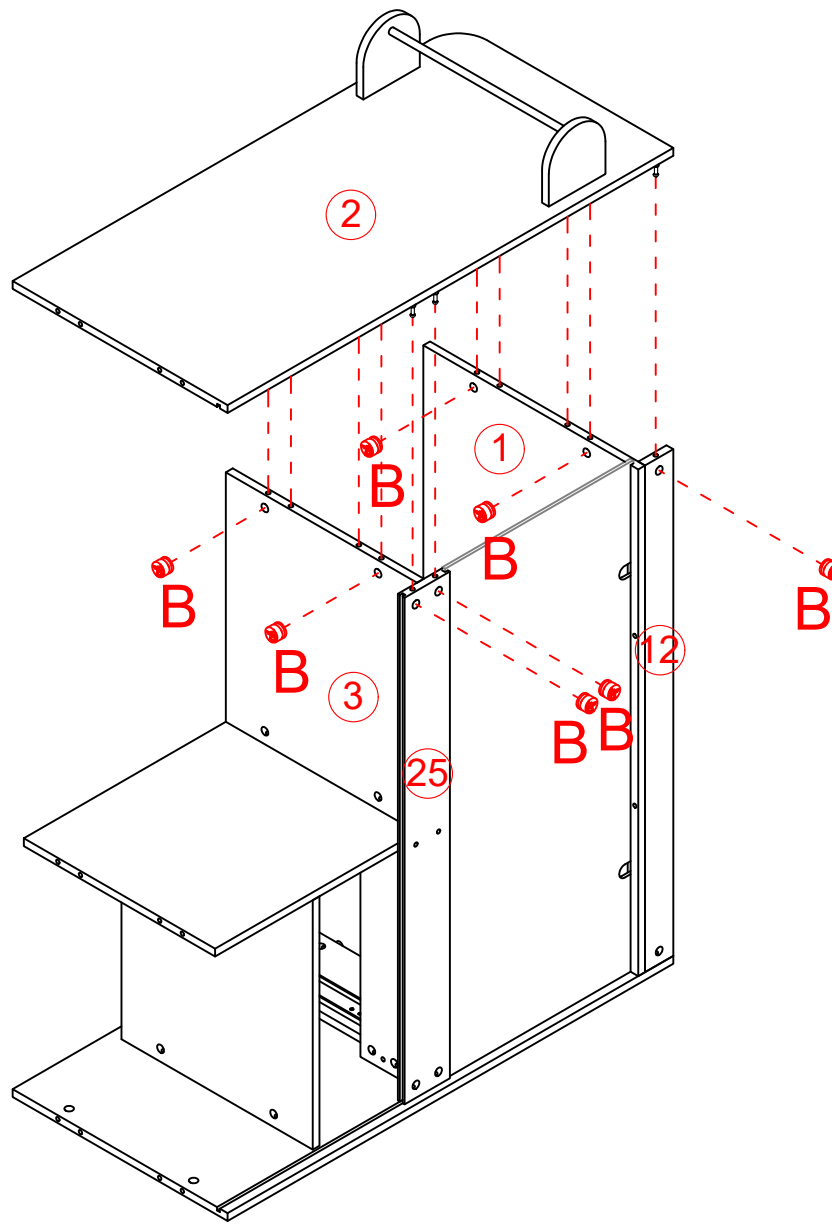
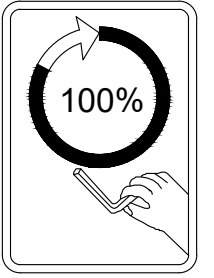


Step 19

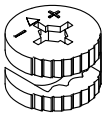


Assembly Instructions

Step20

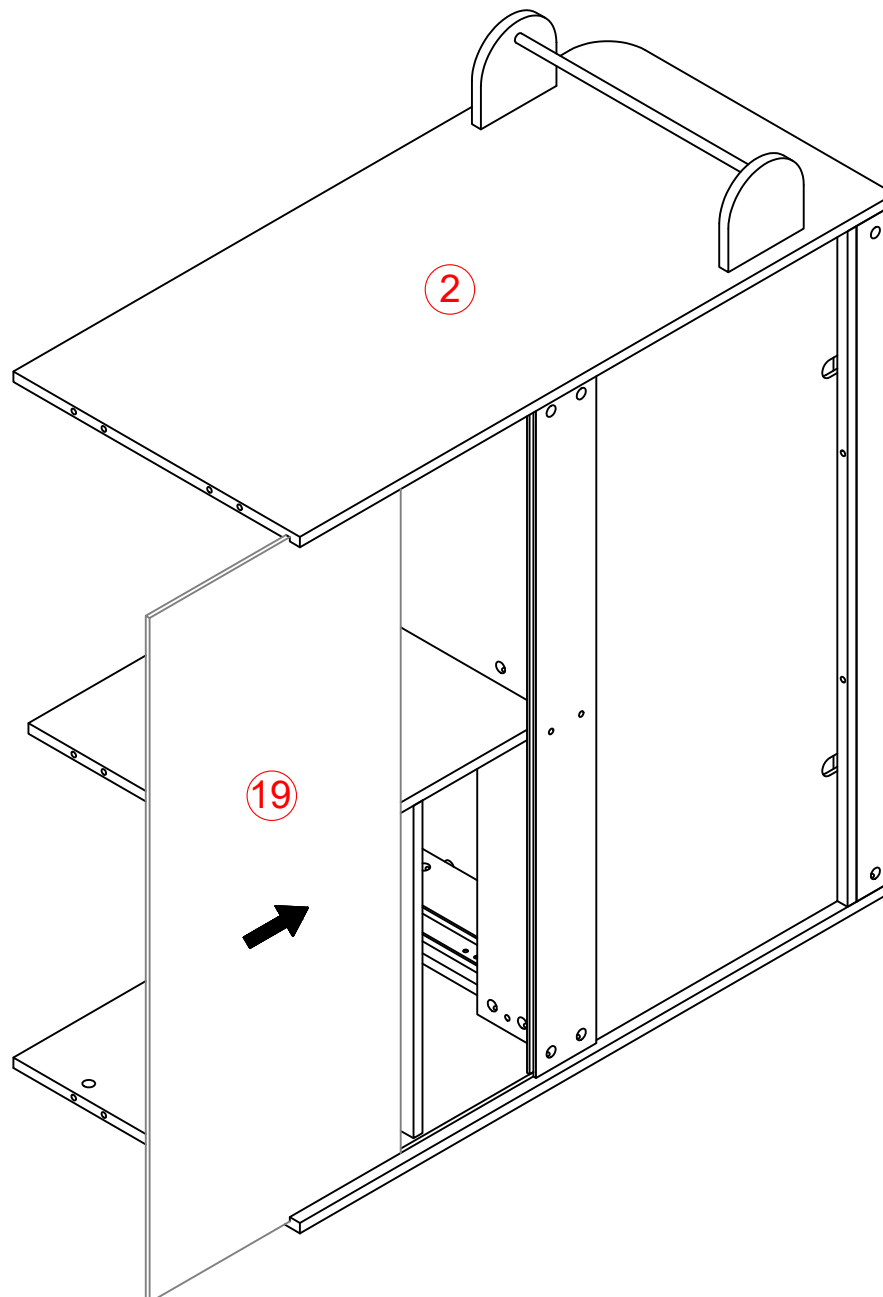
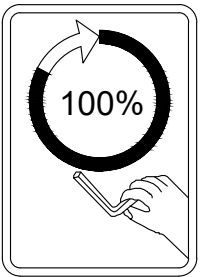


B



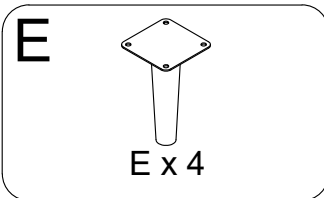
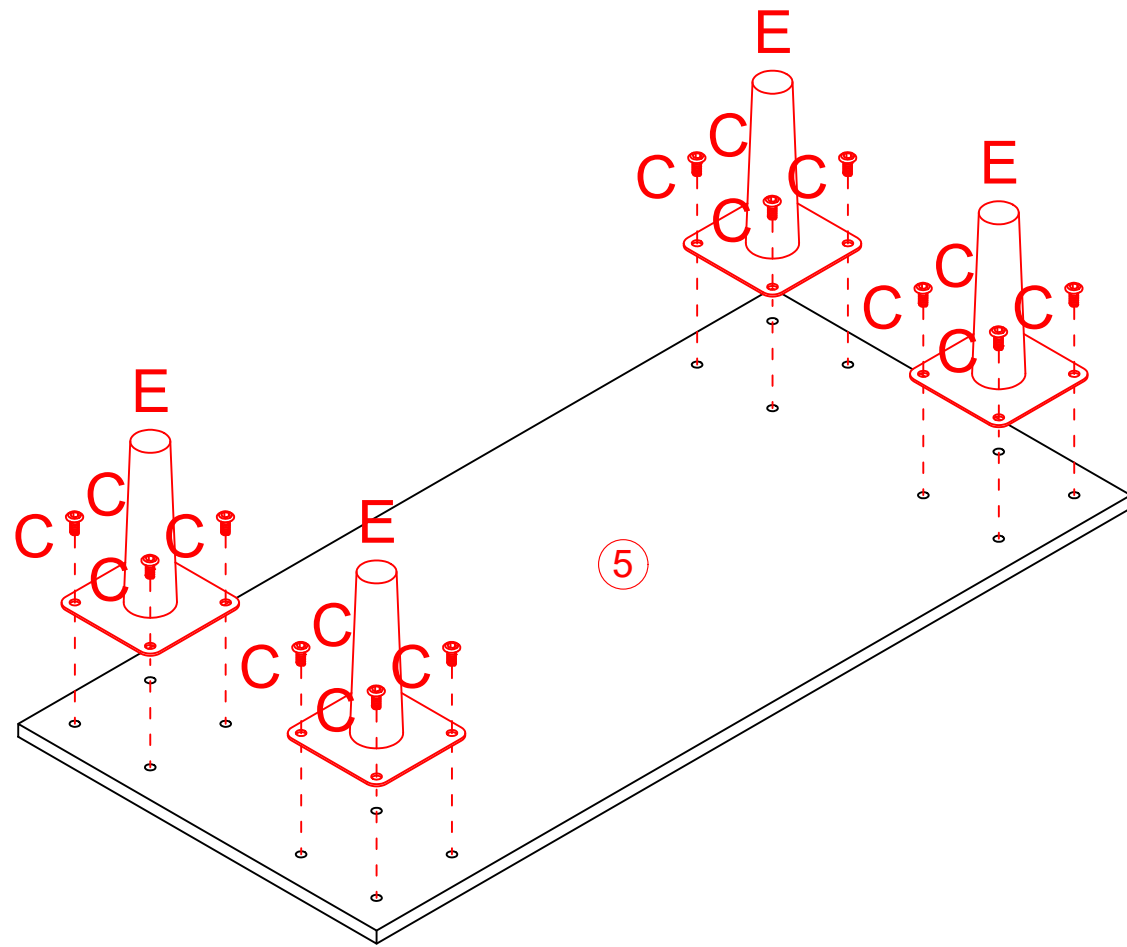
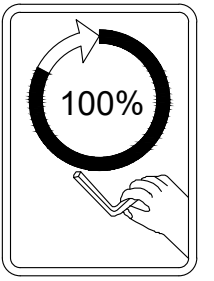
B x 7

Step21

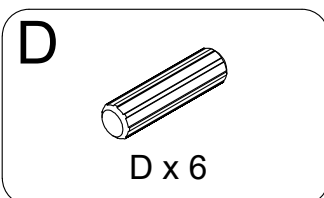
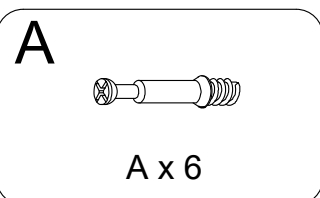
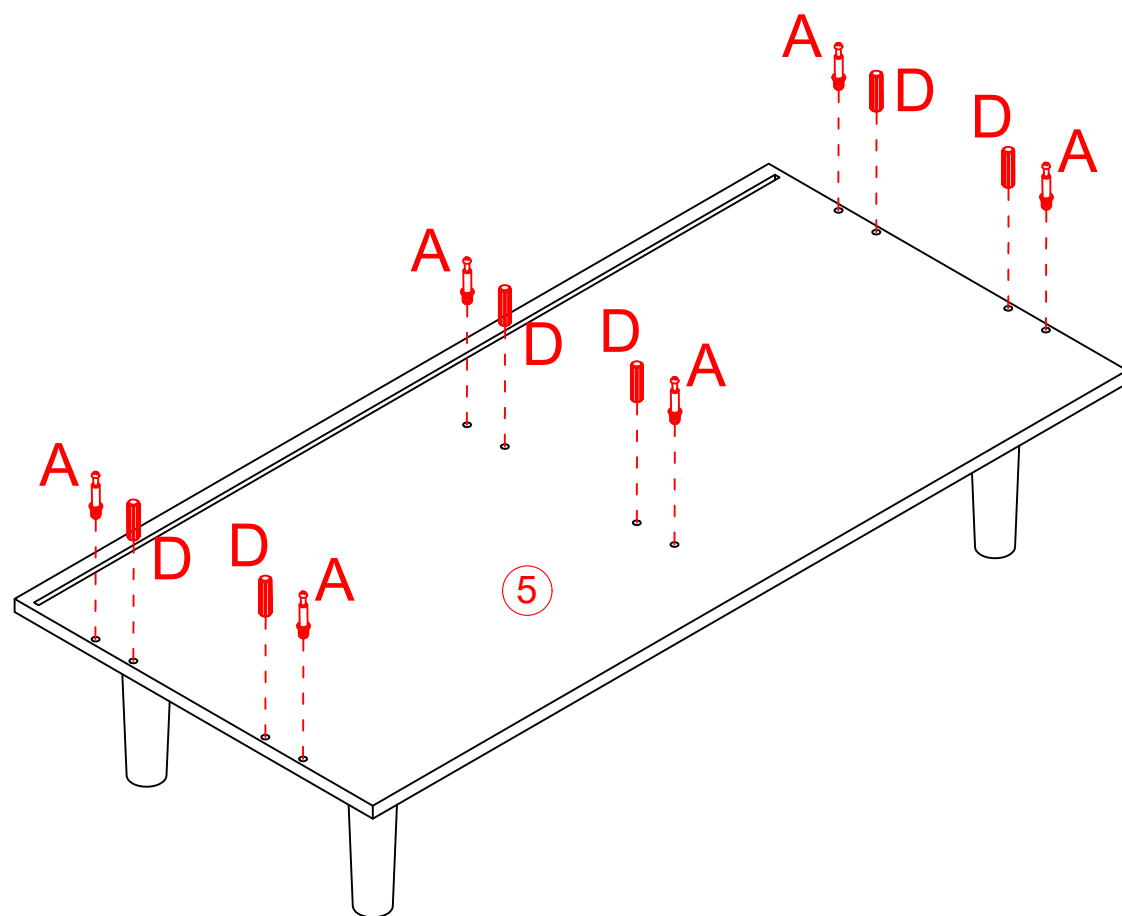
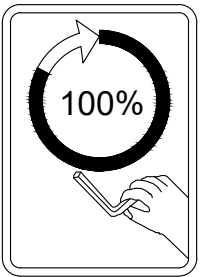


Assembly Instructions

Step22

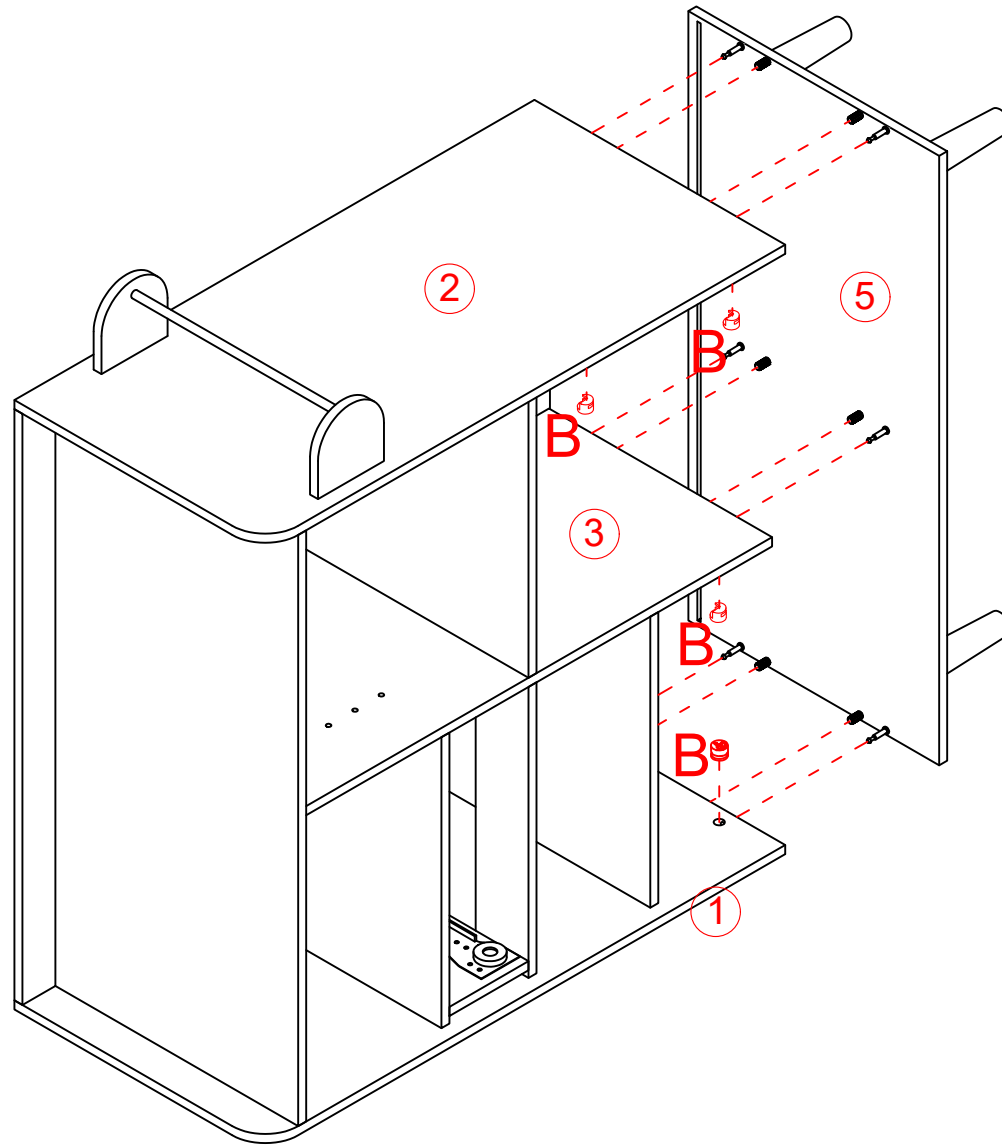
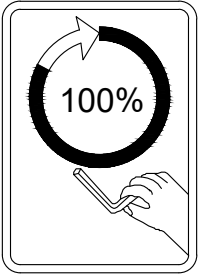


Step23

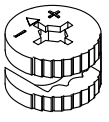


Assembly Instructions

Step24

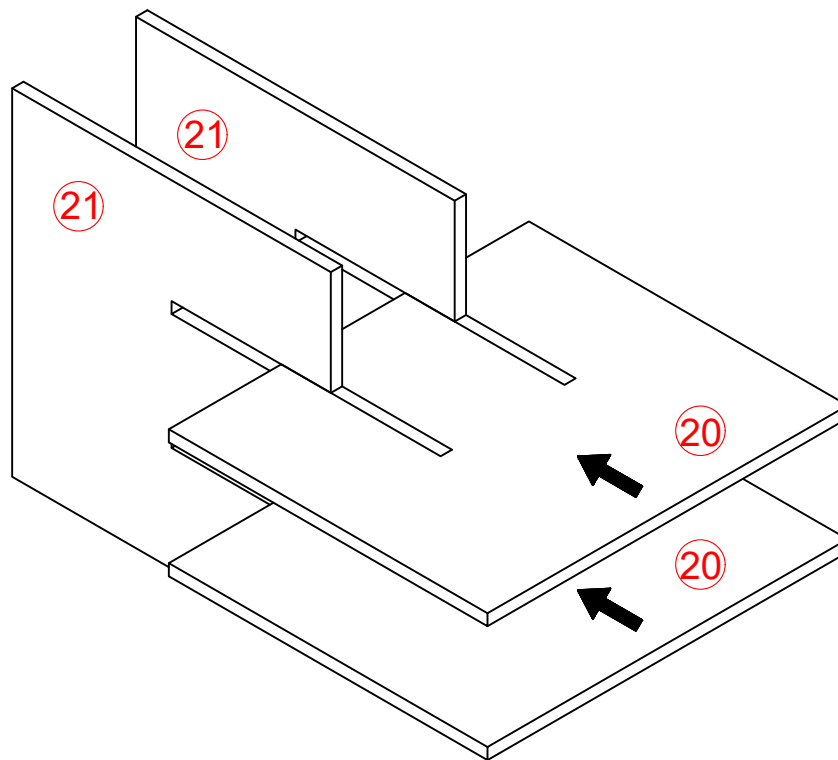
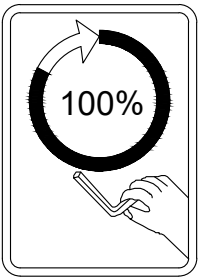


B



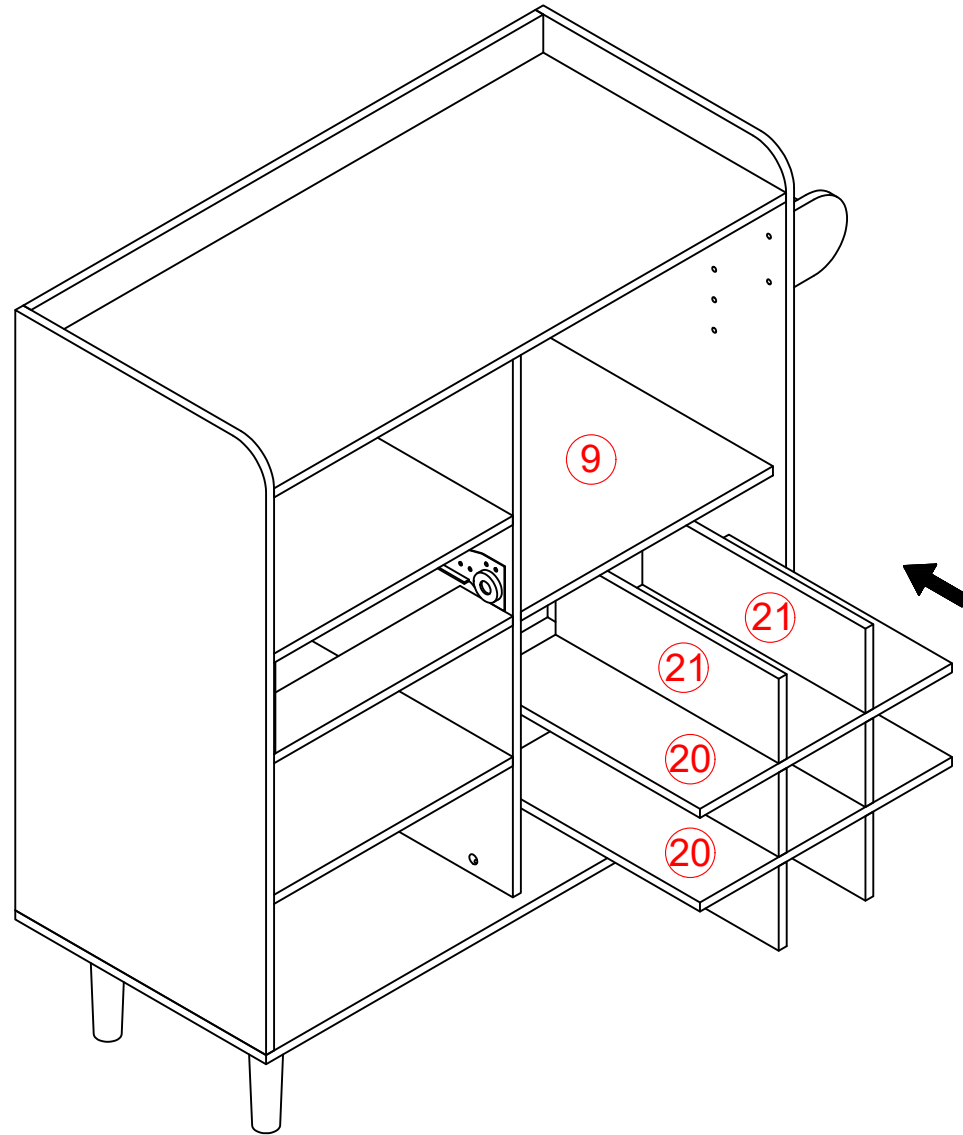
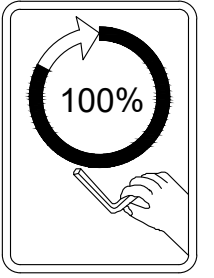
B x 6

Step25

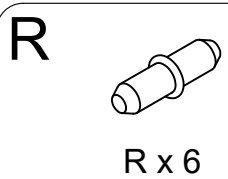
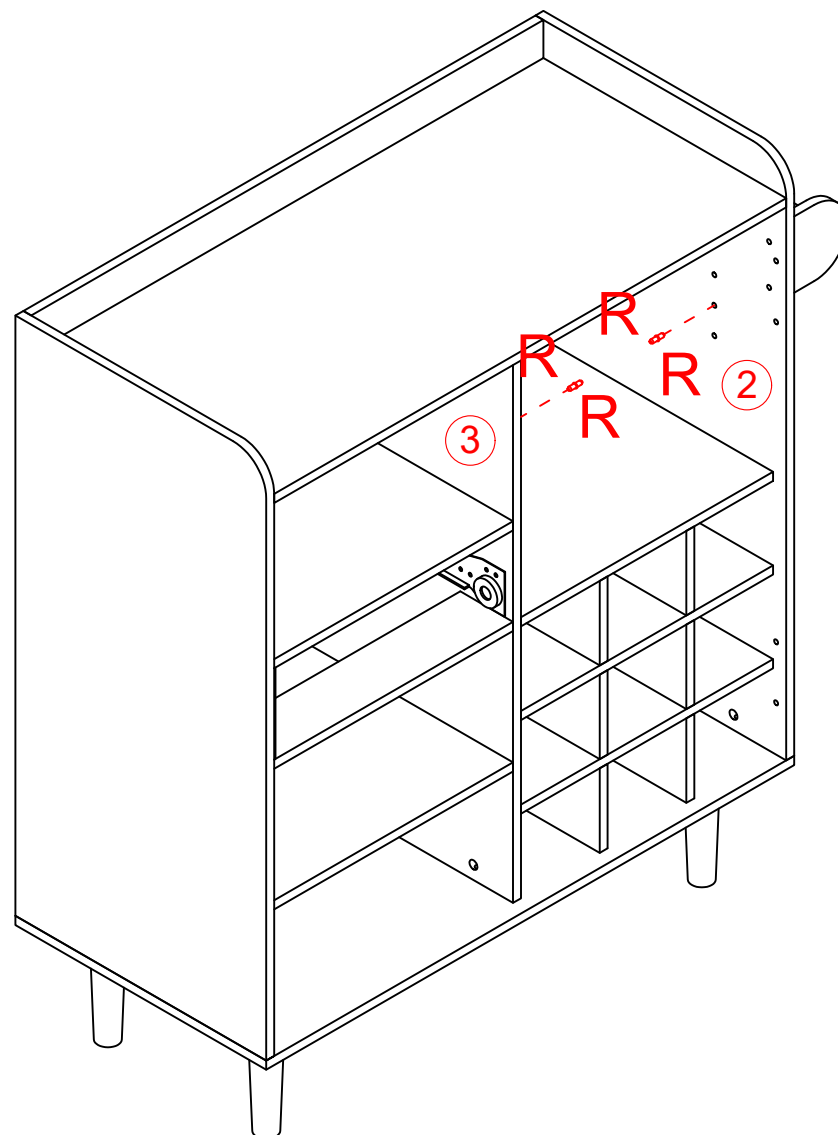
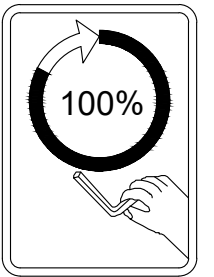


Assembly Instructions

Step 26

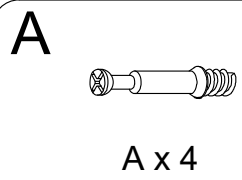
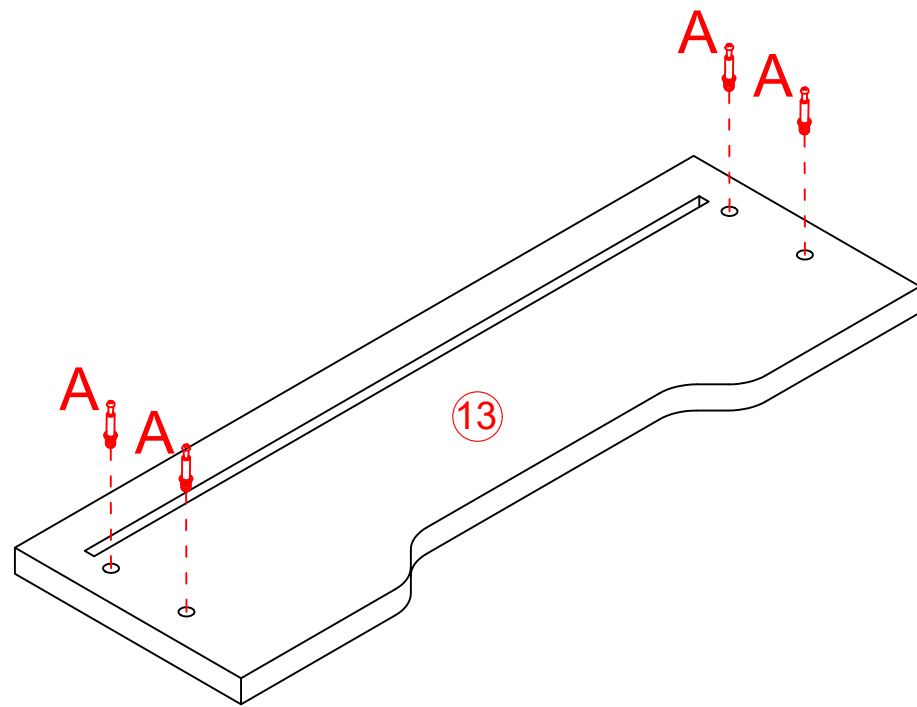
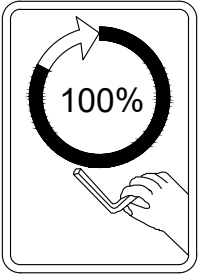


Step 27

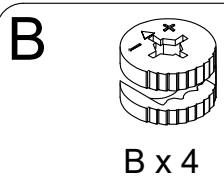
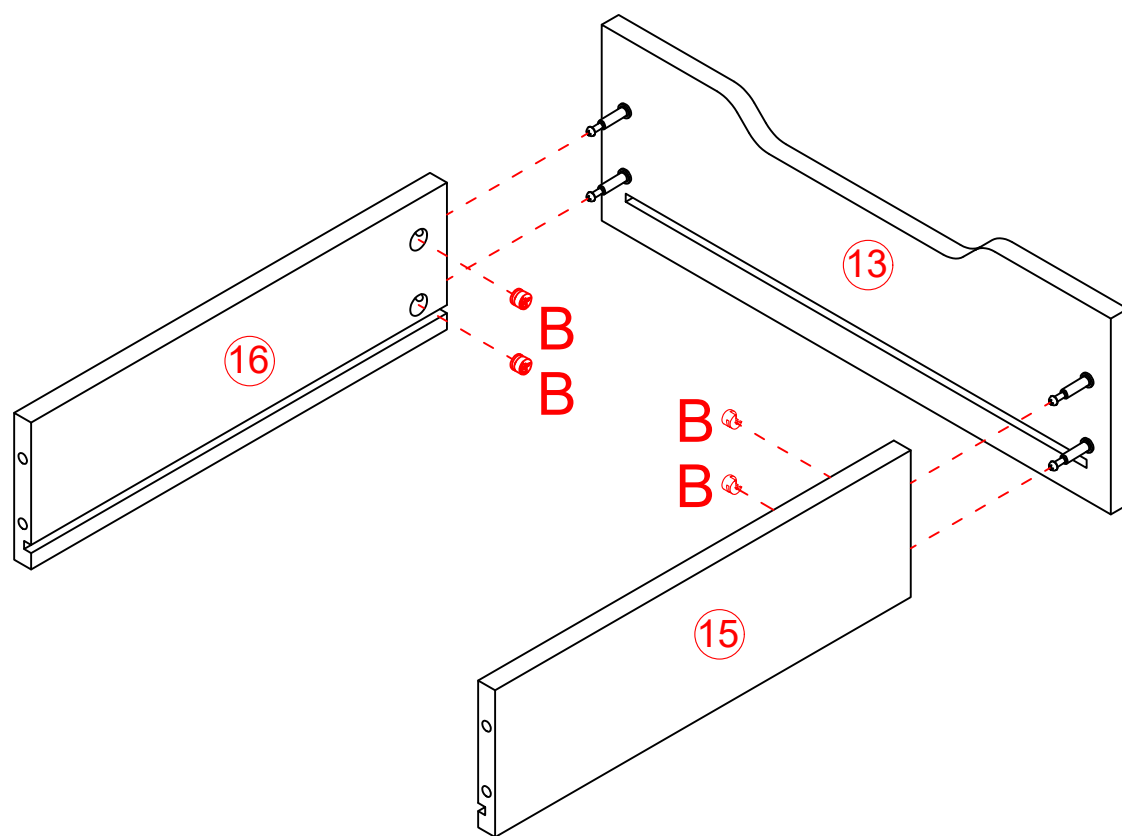
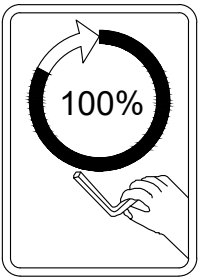


Assembly Instructions

Step 28

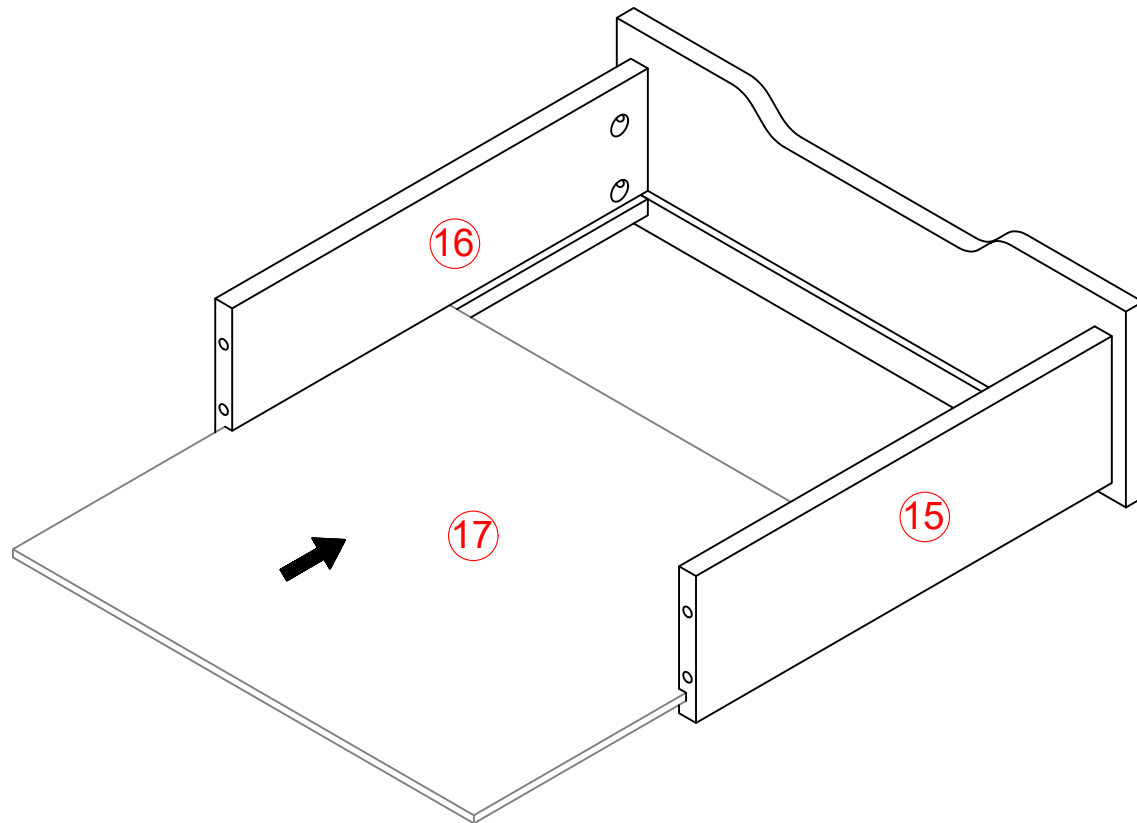
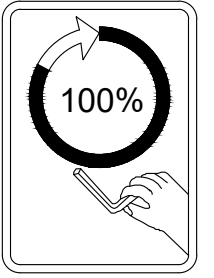


Step 29

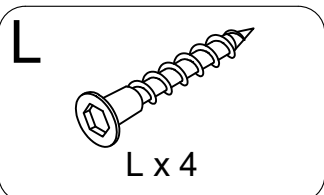
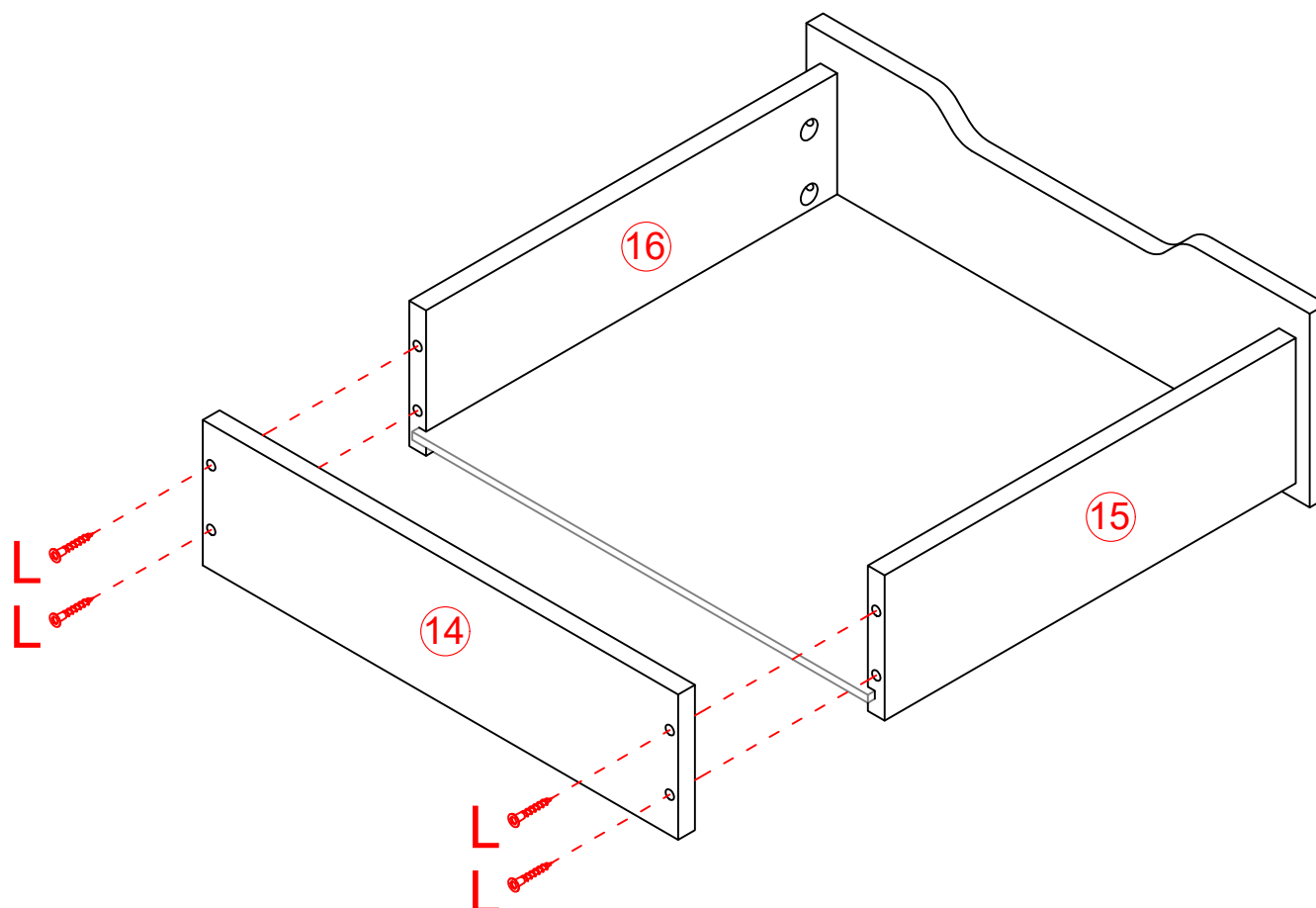
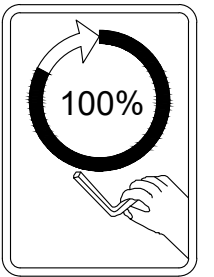


Assembly Instructions

Step 30

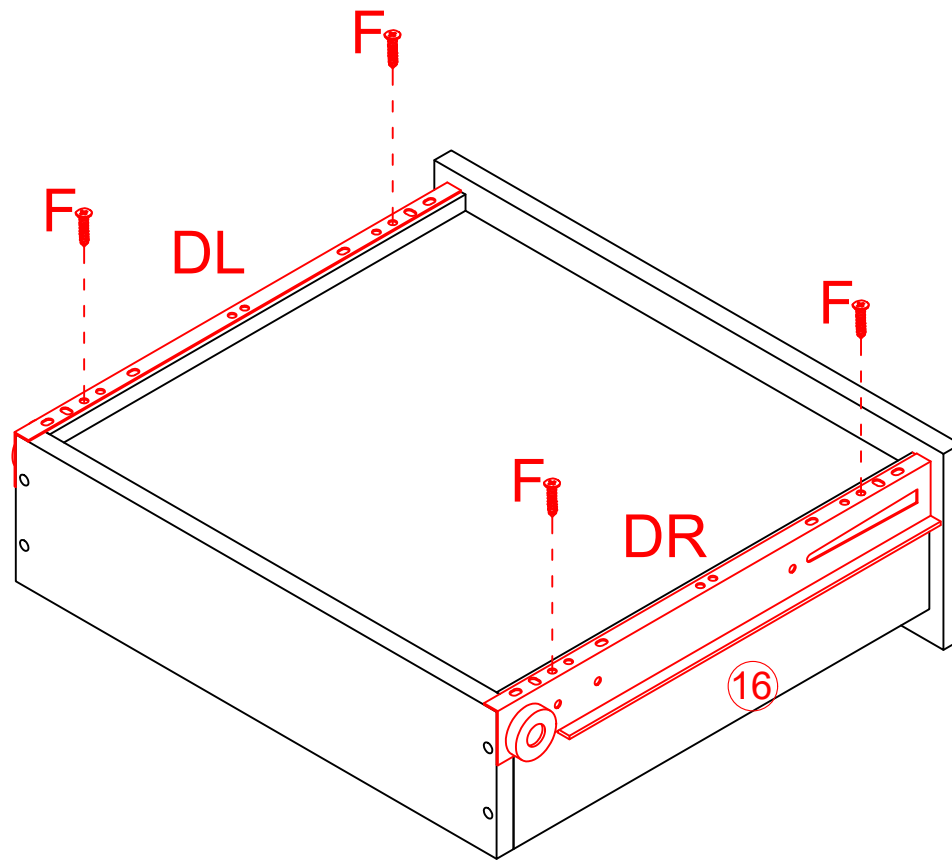
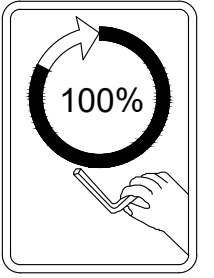


Step 31

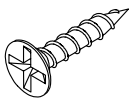


Assembly Instructions

Step32



F



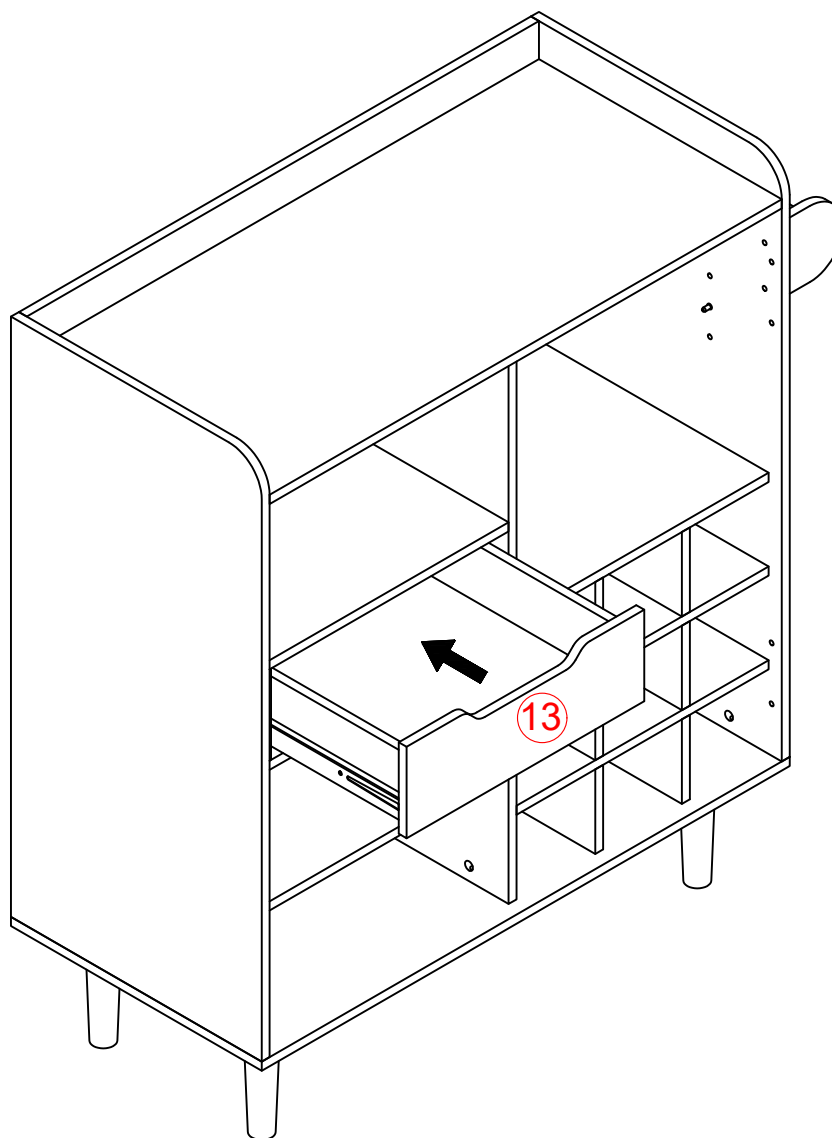
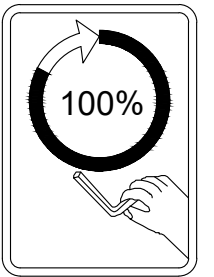
F x 4

M



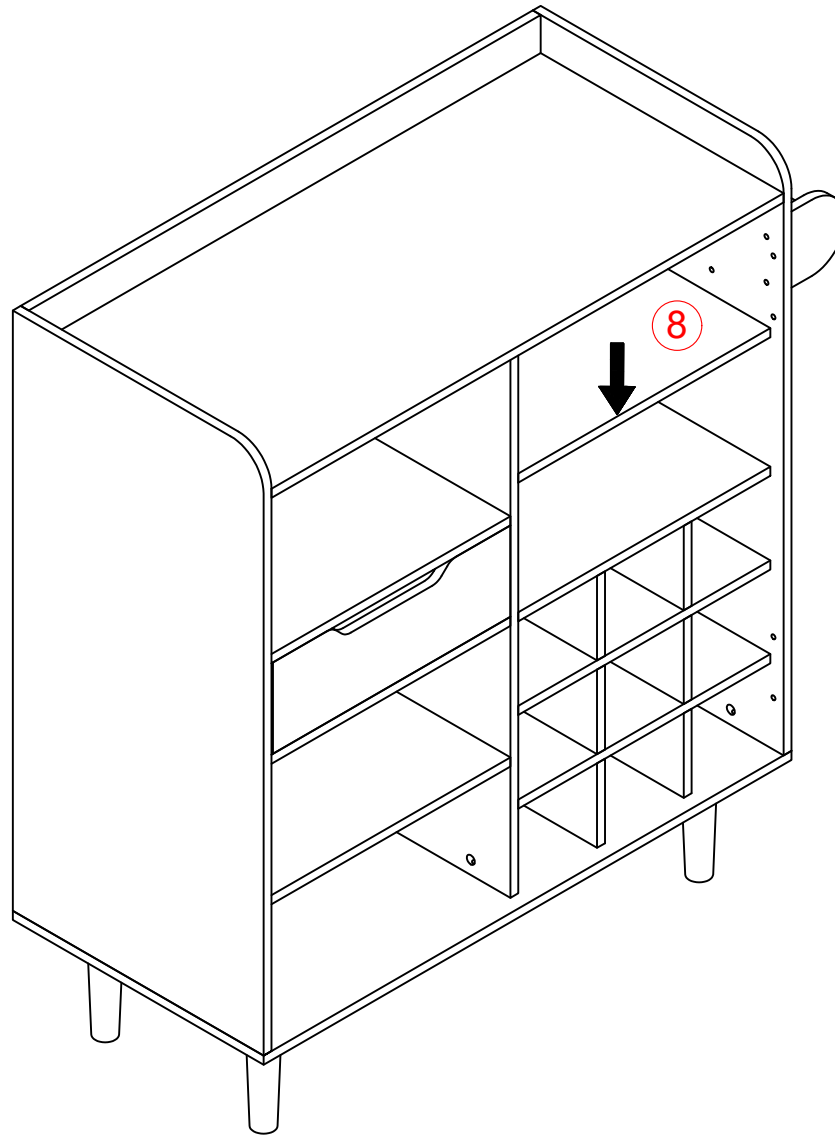
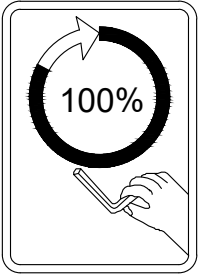
M x 1

Step33

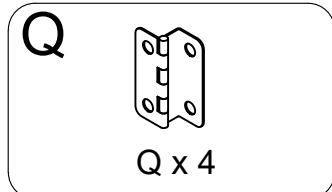
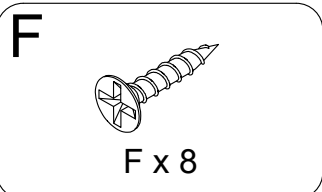
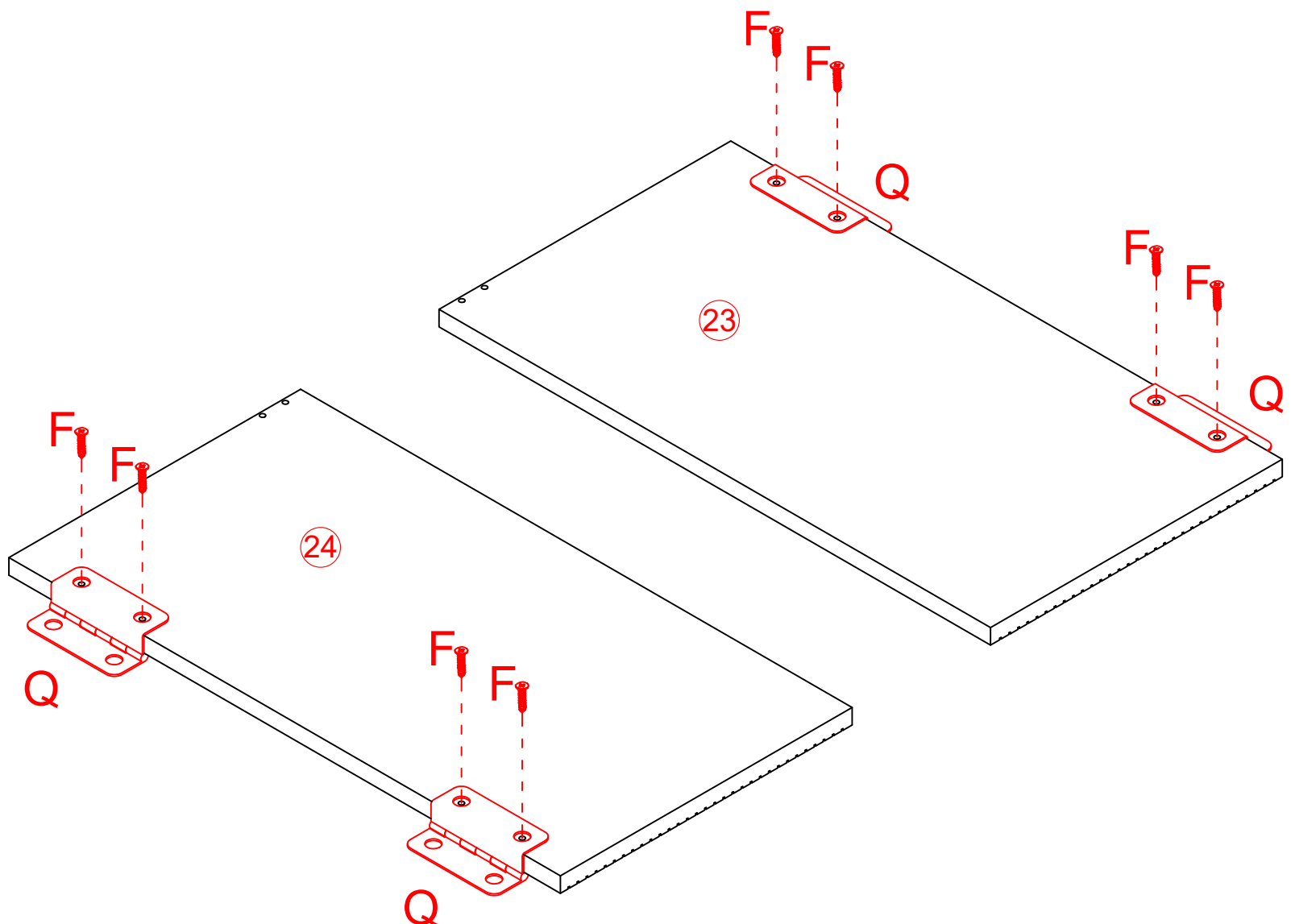
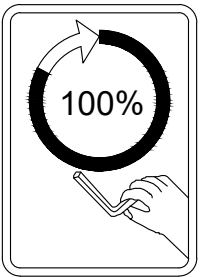


Assembly Instructions

Step 34

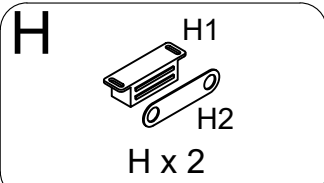
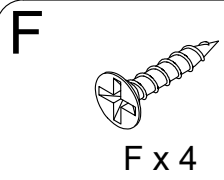
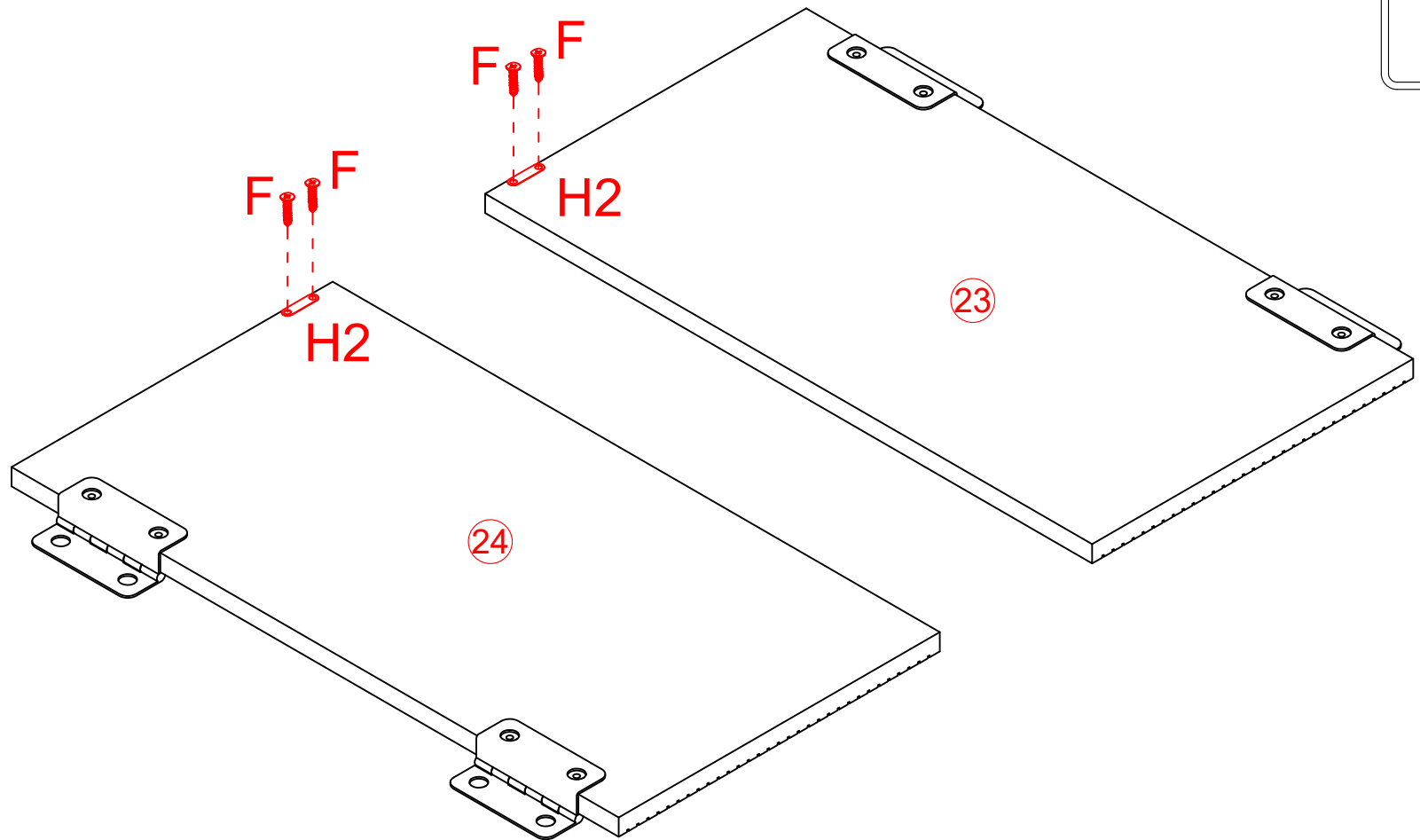
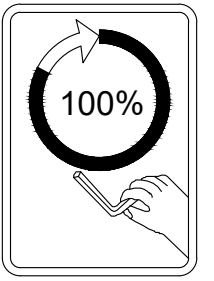


Step 35

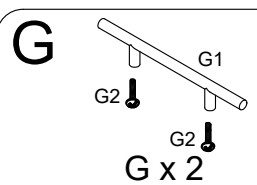
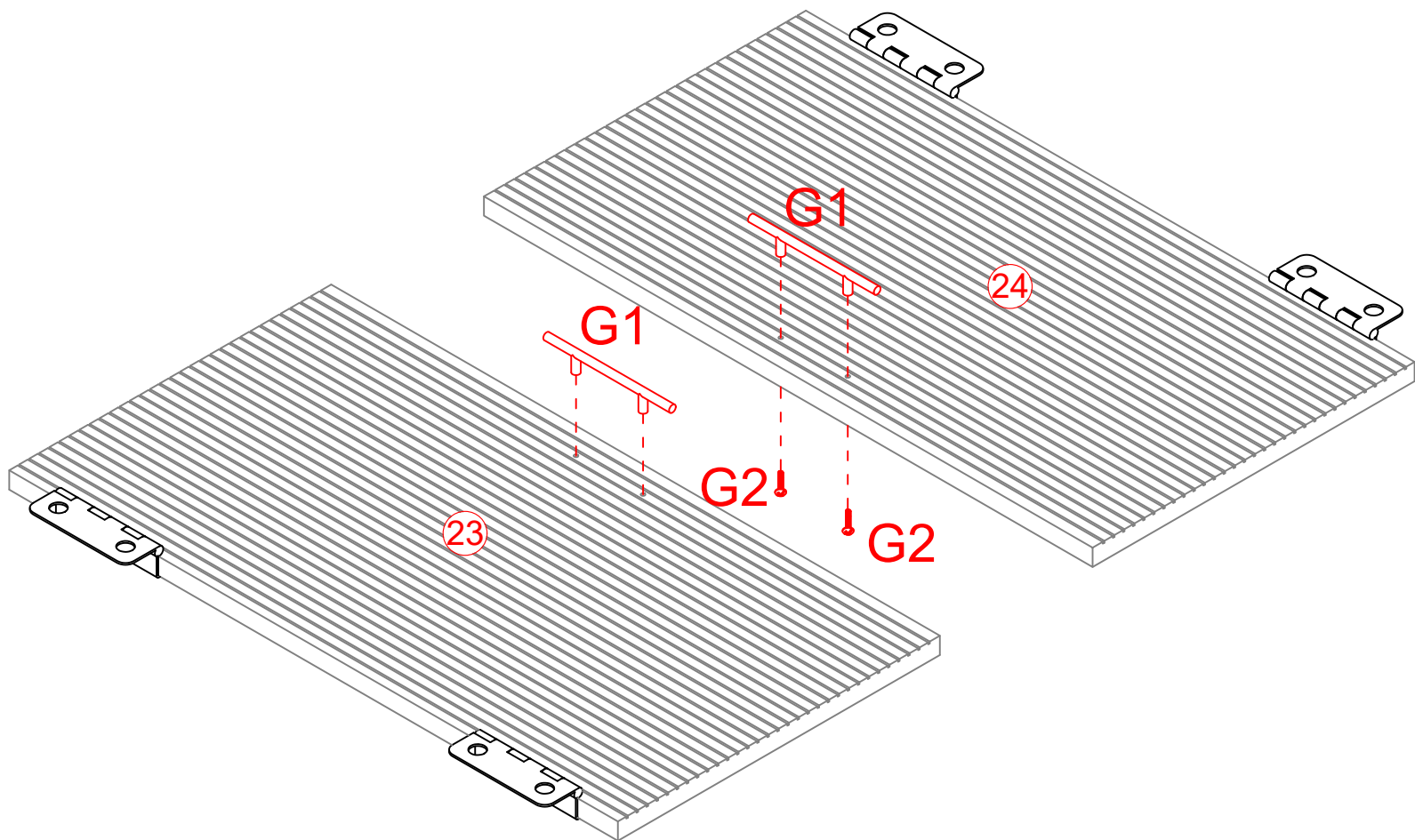
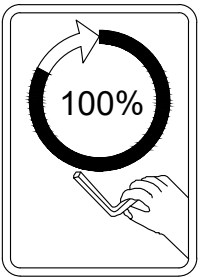


Assembly Instructions

Step36

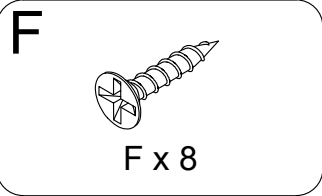
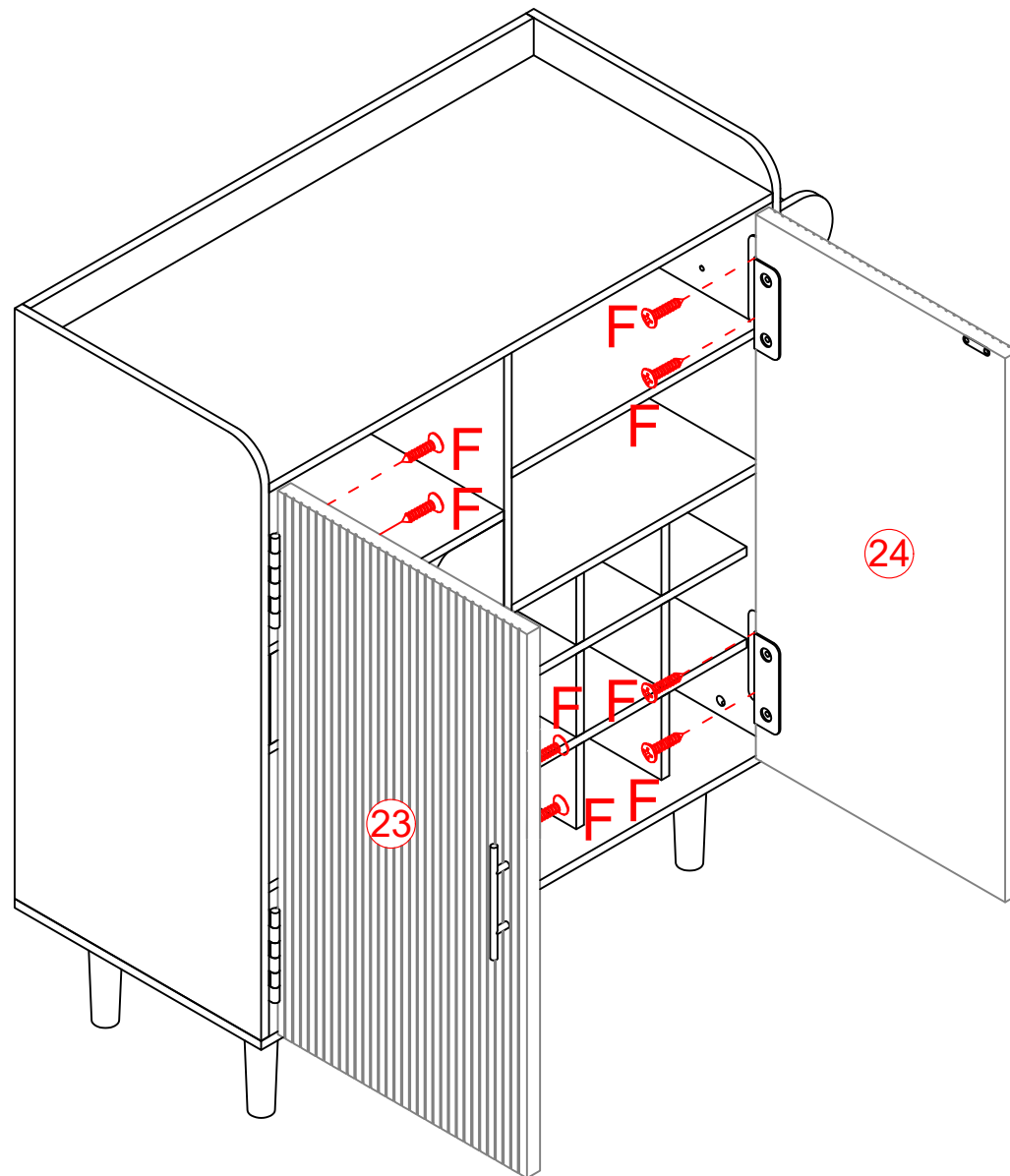
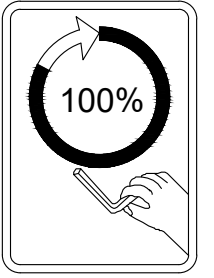


Step37

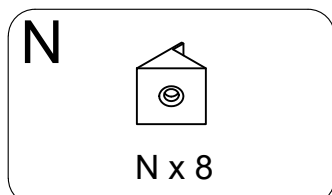
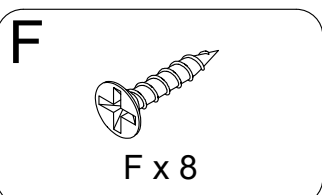
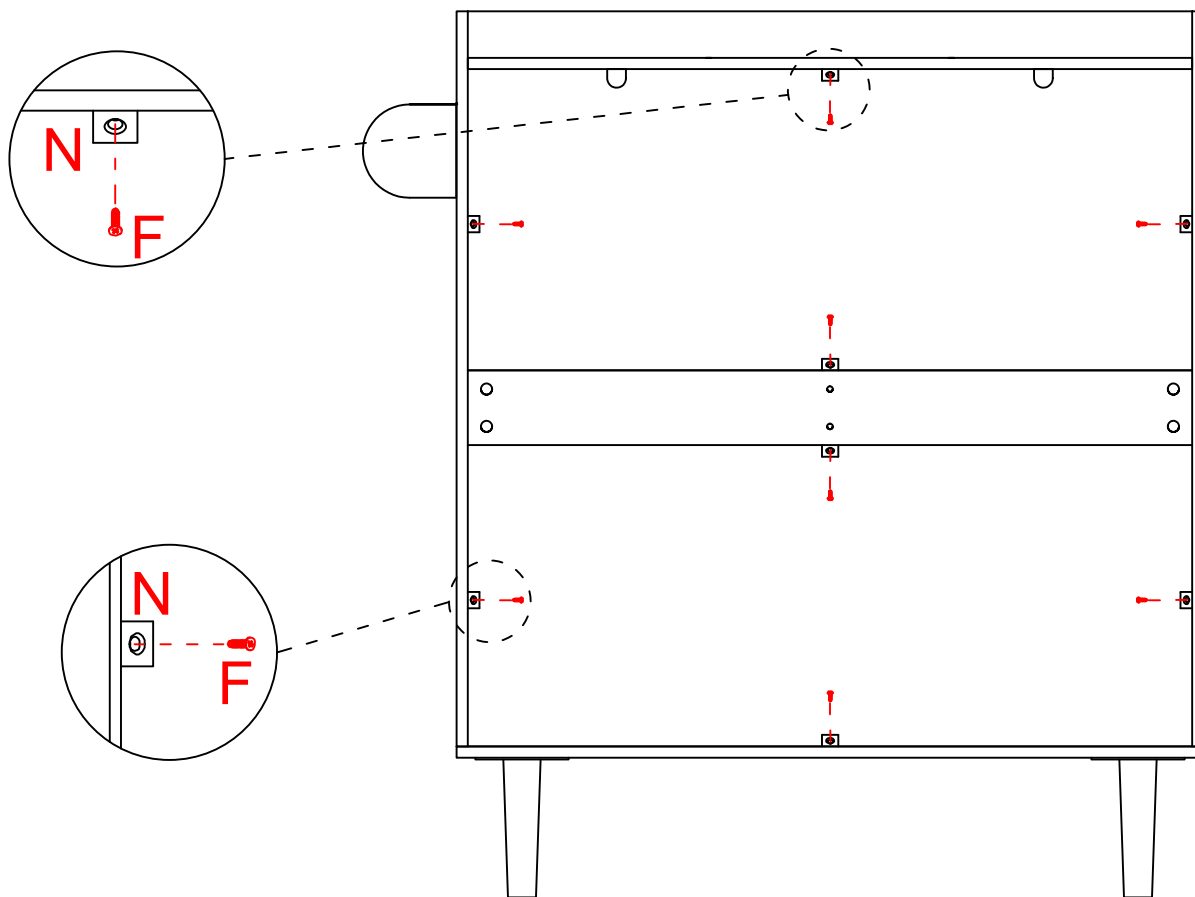
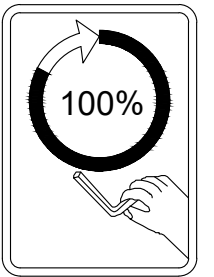


Assembly Instructions

Step 38

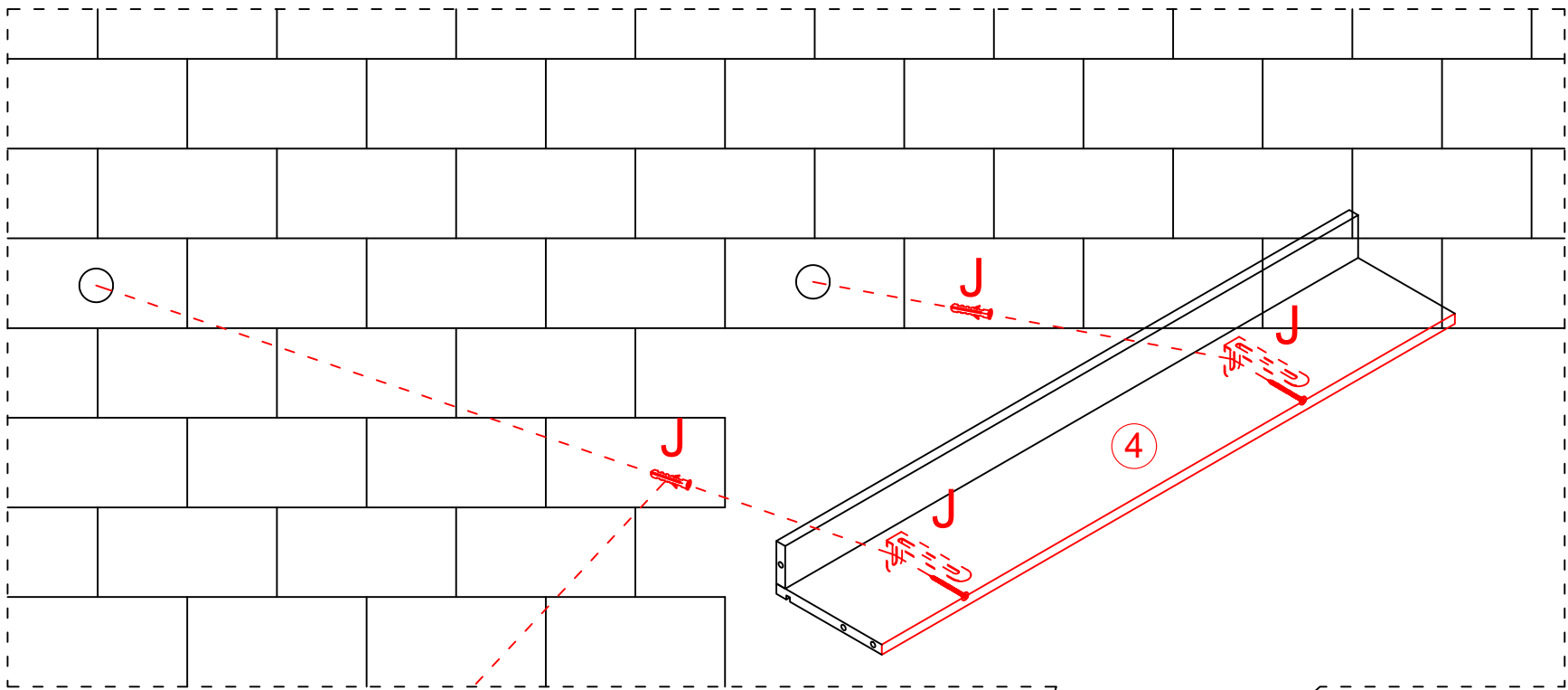
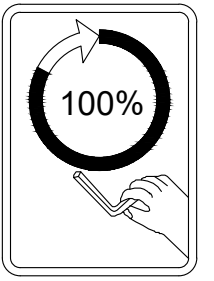


Step 39

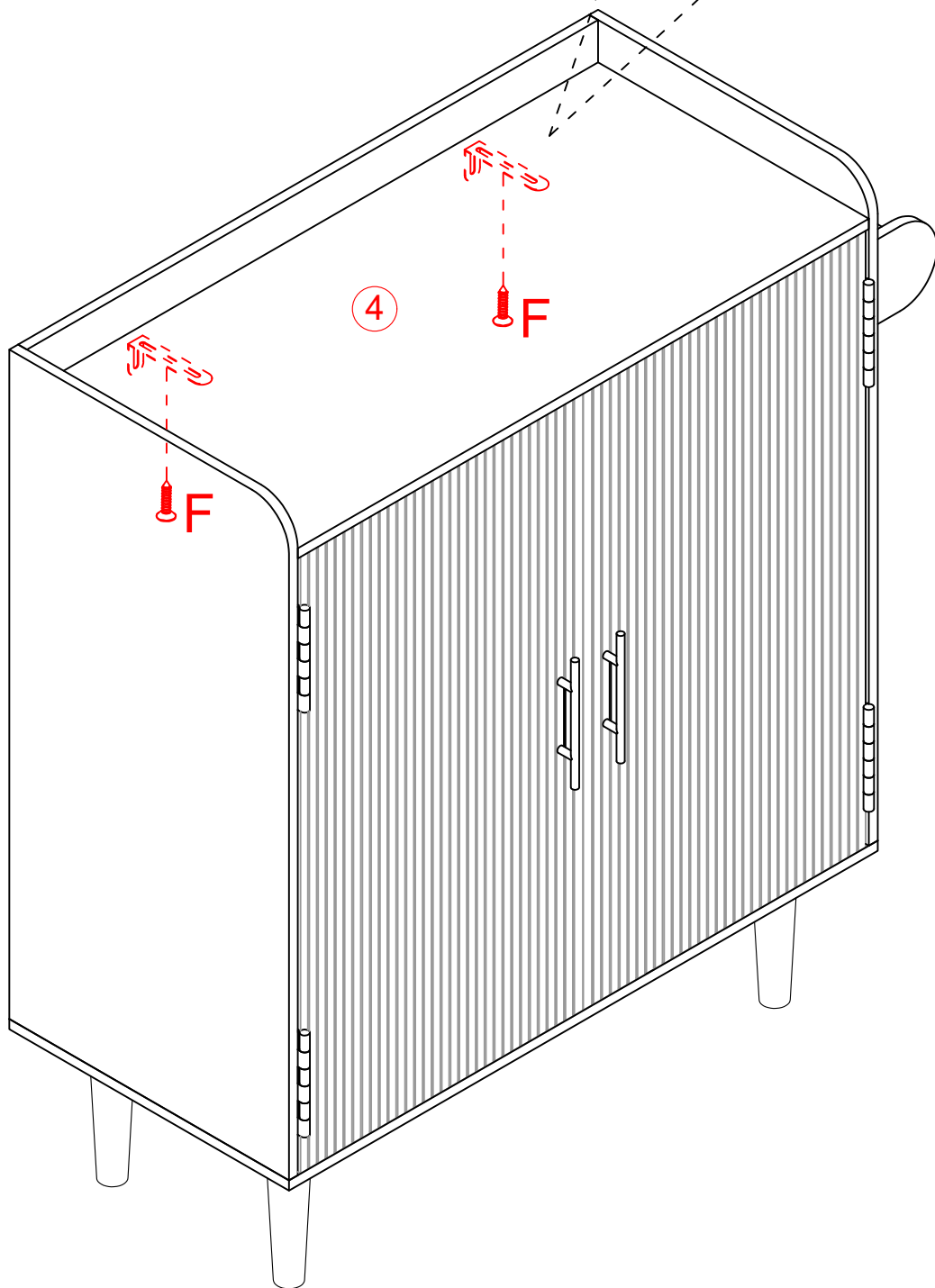


Assembly Instructions

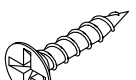
Step 40



6*30

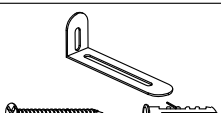


F



F x 2

J



J x 2