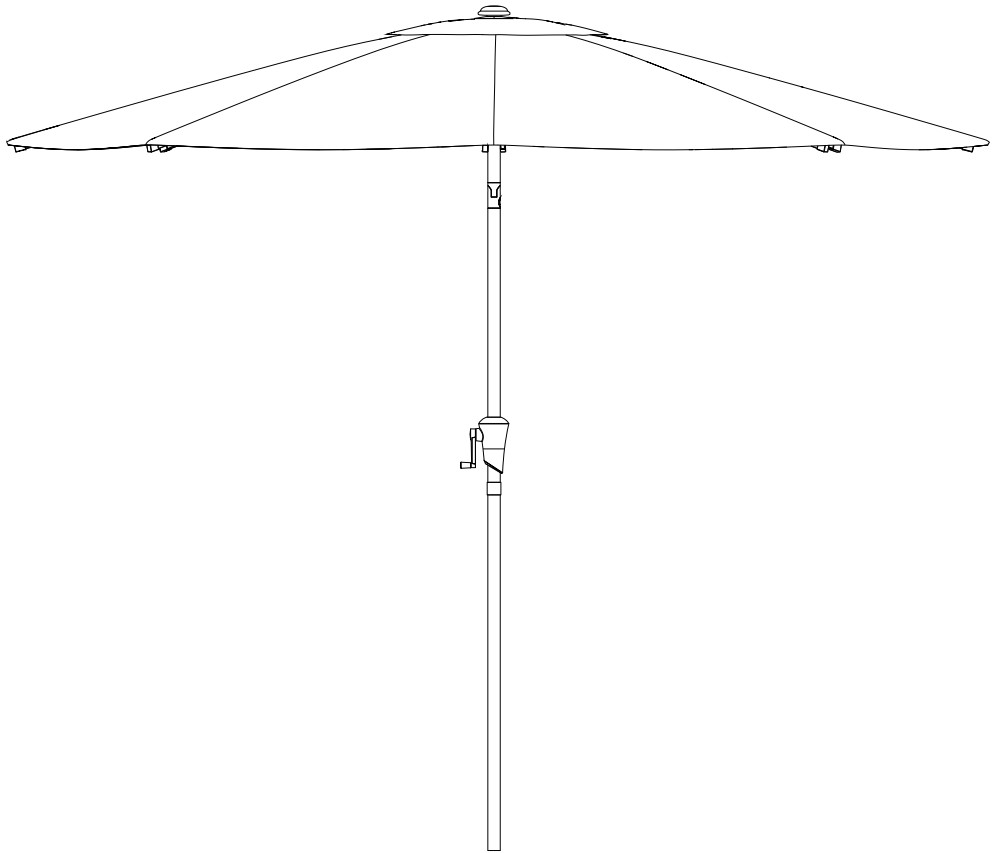
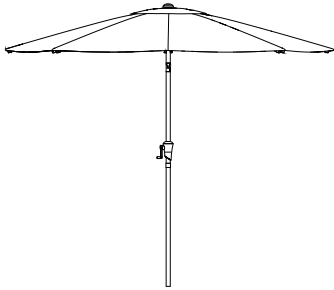


# Galaxy Parasols



# APPLY SKU



A012-001\A012-002\A012-003\A012-005\A012-008\A012-022\A012-023  
A012-024\A012-025\A012-027\A012-029\A012-038\A012-039\A012-042  
\A012-050

# CONTENTS

Safety Instructions	4
Care & Maintenance	4
Parts List	5
Assembly	6
After sale	8

# Safety Instructions



## Prepare

Before beginning to assemble this product, make sure all parts are present.

Compare parts with package contents list and hardware contents list. If any parts are missing or damaged, do not attempt to assemble this product. Please contact our customer service online.

Please read and understand this entire manual before attempting to assemble or install the product. It should not be used as a toy or tool. Children should not engage in the operation, assembly, removal, or disassembly of the product.

## Important Safety Information

The purpose of the umbrella is to provide shade from the sun

Never leave unattended, fully opened, or use in windy conditions, gusts or storms

It is best to remove the umbrella from the base and store when not in use and also in the off season.

The manufacturer or retailer is not liable for any loss, damage to the product, or other items due to the failure of not removing the umbrella from an umbrella base during windy-stormy conditions or an event.

## Care & Maintain

If the umbrella encounters a humid environment, it needs to be dried in a sunny or naturally ventilated environment

Store in a dry place during the off season

Keep the umbrella away from fire or heat sources.

Our umbrellas are suitable for home and leisure places such as courtyards, gardens, swimming pools, etc.

If you need umbrellas in public places, please contact us online

## Fabric Care

To spot clean, use mild soap with lukewarm water, rinse, and air dry.

Do not clean with bleach or solvents.

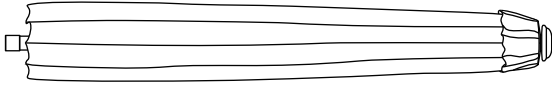

To protect the life of the umbrella, it should be stored indoors or in a dry place when not in use



# Parts List

Estimated assembly time 2-3 minutes

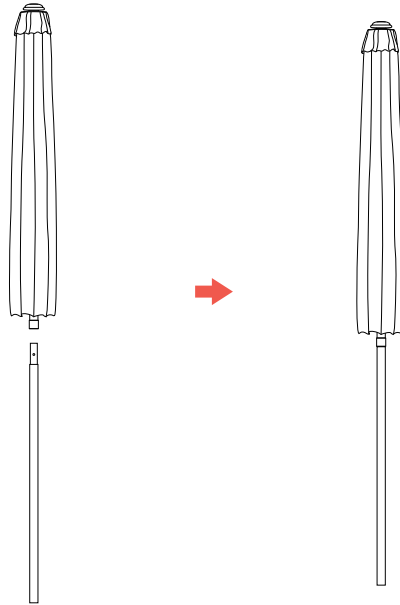
No tools required for assembly

Parts		DESCRIPTION	QTY
A		Umbrella frame	1
B		Down pole	1

# Assembly

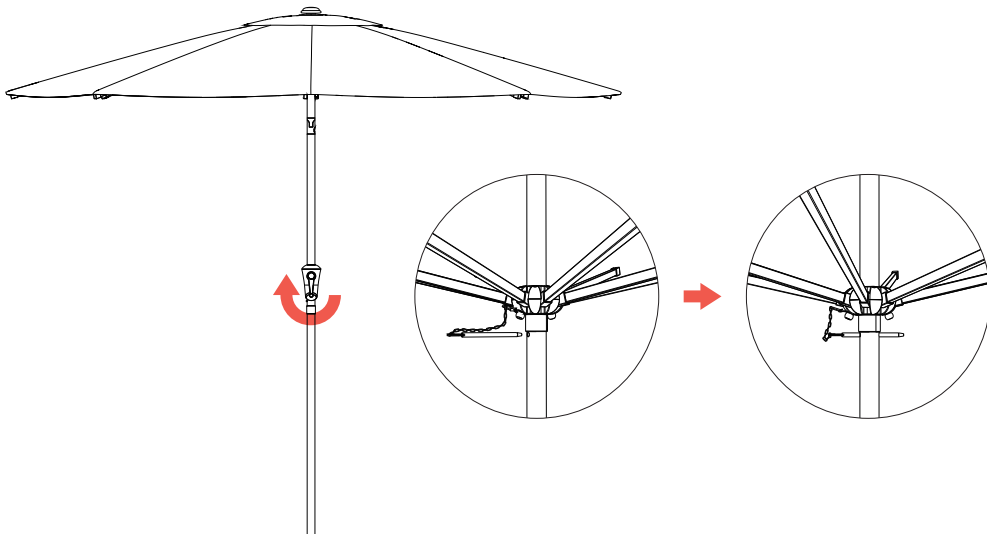
## Step1

Press the marbles on the umbrella frame, insert the lower rod into the umbrella frame, and lock it in place



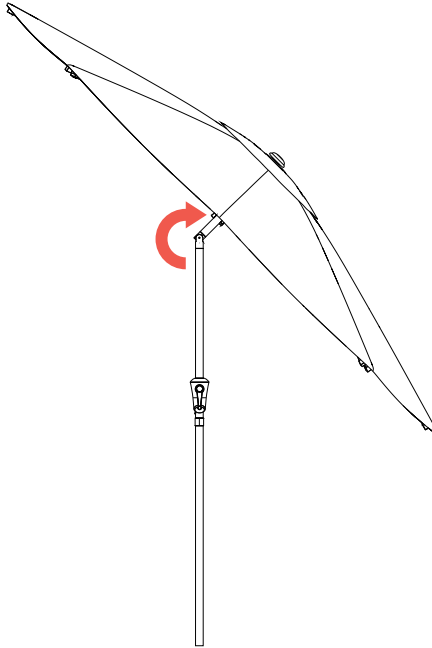
## Step2 -Opening and Closing

Fix the umbrella to the umbrella base (not included) Before opening, gently move the umbrella ribs and umbrella cloth to separate them Rotate the handle clockwise until the umbrella is fully extended, and fix it with a chain pin to prevent the umbrella from falling



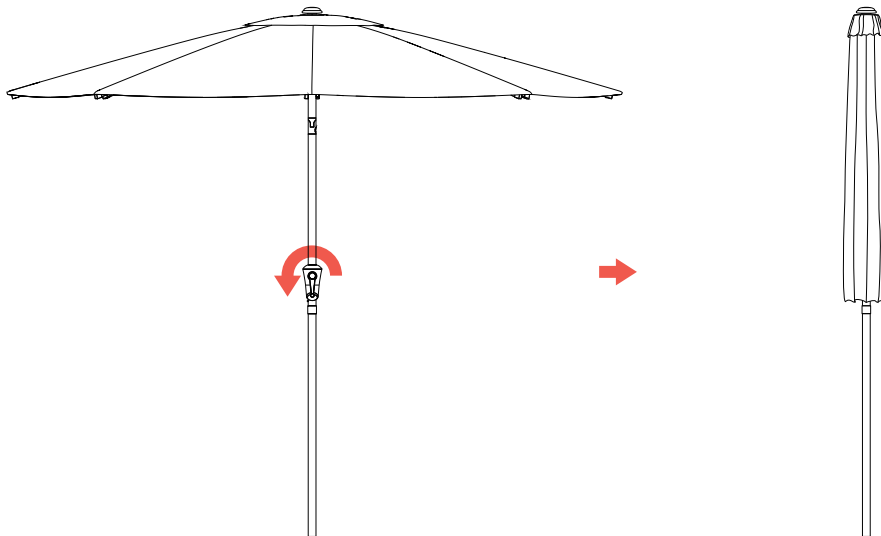
### Step3 -Tilt left and right

Press and hold the button on the umbrella stand to tilt the umbrella left and right



### Step4

When not in use, please put away the umbrella and fix it with the Velcro straps on the cloth surface of the umbrella



# WARRANTY

## Outdoor umbrella

### 2-year Warranty Program

For a period of two (2) years after date of purchase, the Manufacturer will either repair or replace defective components in accordance with this Limited Warranty. This warranty is between the Manufacturer and the original purchaser and is valid only when accompanied by the original purchaser's sales receipt showing original date of purchase and location of purchase. Replacements under this warranty revert back to the date of original purchase for future warranty

The manufacturer or its authorized dealer can accept or reject warranty claims based on its findings. This warranty applies in normal residential use only and is not intended for commercial use. The Manufacturer can make substitutions as required of materials, components, and sub-components of comparable value and utility. This warranty is limited to product repair or replacement (to be determined solely by the Manufacturer). Warranty return is limited to only the single affected component.

This limited warranty covers only manufacturing defects and does not cover normal wear and tear, damage due to acts of nature (such as, but not limited to freezing or high winds), abuse or misuse, including chemical damage from suntan oil or other chemicals, exposure to extreme heat or cold, abrasion or excessive weight. This product is intended to be used in standard installations only. This warranty is void if the product is not used for its intended purpose. The Manufacturer disclaims liability for any aspect of installation and any inconvenience caused by a defective part of a component

### **Certain items are not covered by this warranty. These include, but are not limited to the following:**

1. Components subjected to abuse, including abuse intended to simulate failure
2. Damages caused by retailer, shipper or installation crew (such as scratches, dents, tears, chips, etc.)
3. Any part that only shows normal wear and tear on the surface, including debris, scratches, or material stretching and stitching.
4. Tears, punctures, scratches or any damage caused by improper installation or use.
5. Damage to frames/welds resulting from improper assembly or exposure to water and/or sub-freezing temperatures is not covered.
6. The fading caused by other external forces on the umbrella cloth surface is not included.
7. Umbrella bases are not covered under any circumstances.
8. Items sold "as is" or floor models.

If you need after-sales service, please provide the original purchase record and a brief description of the problem. Please also provide your email address or mobile number

This is all express limited liability, we neither do nor bear any other guarantees. This exclusive remedy is limited to the acquisition and repair or replacement of any product or component deemed defective in accordance with the terms and conditions of this warranty. In any case, we will not be responsible for the use of this product, breach of this warranty or accident. Responsible for any accidental, indirect, special or consequential damages. Unless otherwise required by law. Except for the guarantees described here, there are no other express or implied guarantees, and all other guarantees are expressly denied, including any implied guarantees of merchantability or fitness for a specific purpose